



US00D956305S

(12) **United States Design Patent** (10) **Patent No.:** **US D956,305 S**
Mo (45) **Date of Patent:** **** Jun. 28, 2022**

(54) **GARAGE LIGHT**

(71) Applicant: **Zhongsheng Mo**, Shaoguan (CN)

(72) Inventor: **Zhongsheng Mo**, Shaoguan (CN)

(**) Term: **15 Years**

(21) Appl. No.: **29/766,802**

(22) Filed: **Jan. 19, 2021**

(51) **LOC (13) Cl.** **26-05**

(52) **U.S. Cl.**
USPC **D26/63**

(58) **Field of Classification Search**
USPC D26/24, 51, 61, 63, 65, 67, 72, 80, 81,
D26/83, 92, 100, 120; D16/203
CPC F21S 8/00; F21S 8/04; F21S 8/003; F21S
8/033; F21S 9/00; F21S 9/02; F21S
9/022; F21S 9/03; F21S 9/032; F21S
9/035; F21S 9/037; F21W 2131/10;
F21W 2131/20; F21W 2131/101; F21W
2131/107; F21W 2131/402; F21W
2131/1005; F21V 21/00; F21V 21/02;
F21V 21/10; F21V 21/14; F21V 21/26;
F21V 21/30; F21V 14/02; F21V 17/02
See application file for complete search history.

(56) **References Cited**

U.S. PATENT DOCUMENTS

7,407,304	B2 *	8/2008	Tasson	B60Q 1/2607 362/249.07
D578,696	S *	10/2008	Wang	D26/70
D861,926	S *	10/2019	Lin	D26/2
D879,334	S *	3/2020	Lin	D26/2
D879,335	S *	3/2020	Lin	D26/2
D879,349	S *	3/2020	Li	D26/63
D881,421	S *	4/2020	Yin	D26/2
D882,851	S *	4/2020	Deng	D26/63
D884,244	S *	5/2020	Wang	D26/63

D884,952	S	5/2020	Cao	
D885,629	S	5/2020	Liu	
D885,630	S	5/2020	Lin	
D886,353	S *	6/2020	Du D26/63
D895,170	S *	9/2020	Zhang D26/2
D907,829	S *	1/2021	Rajasekaran D26/63
D908,250	S *	1/2021	Xu D26/2
D912,869	S *	3/2021	Lin D26/63
D916,347	S *	4/2021	Liu D26/63
D917,089	S *	4/2021	Rajasekaran F21K 9/232 D26/63
D919,154	S *	5/2021	Zhou D26/63
D925,086	S *	7/2021	Ma D26/63
2017/0265302	A1 *	9/2017	Kim H05K 1/142

* cited by examiner

Primary Examiner — Clint A Samuel

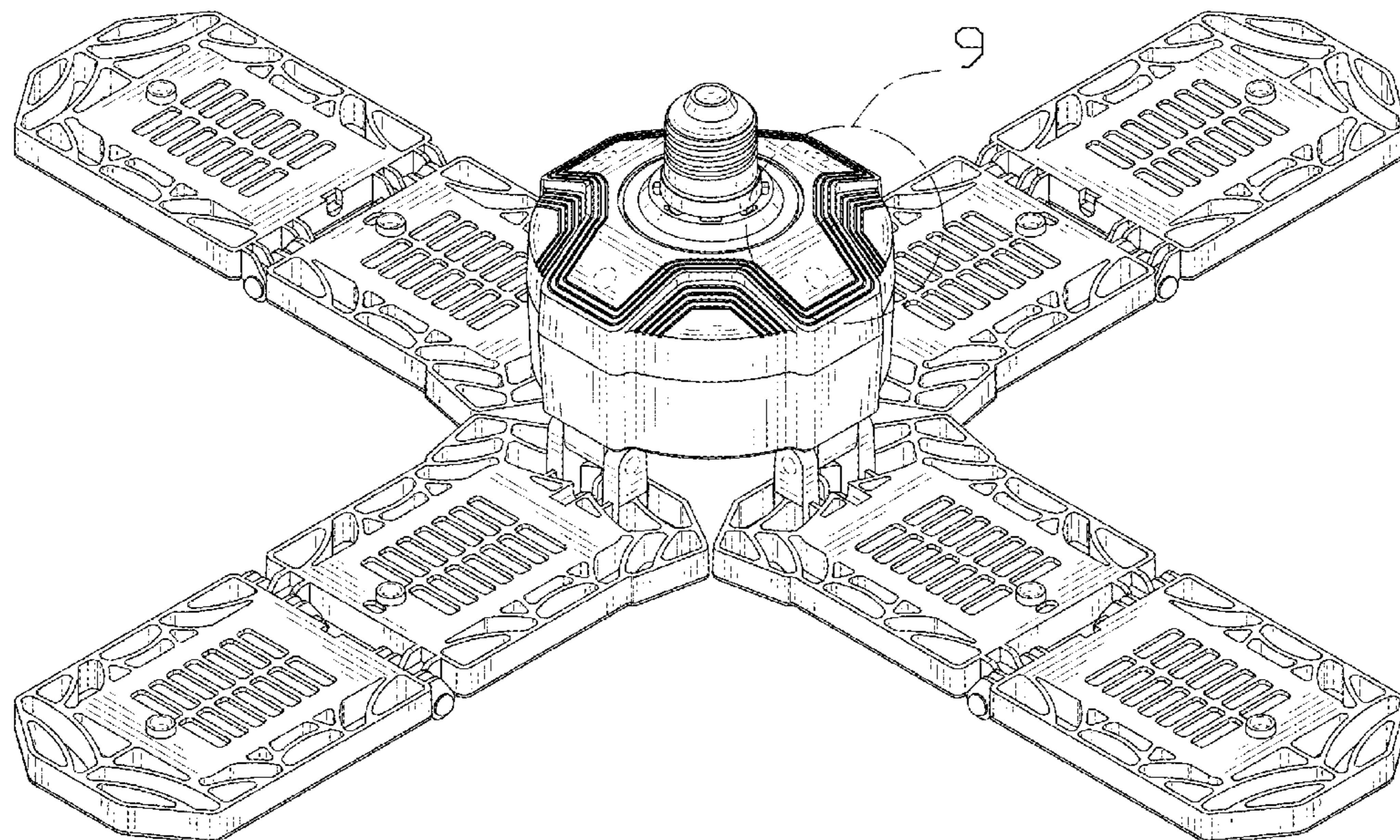
(57) **CLAIM**

The ornamental design for a garage light, as shown and described.

DESCRIPTION

FIG. 1 is a first perspective view of a garage light showing my new design;
FIG. 2 is a second perspective view thereof;
FIG. 3 is a front view thereof;
FIG. 4 is a back view thereof;
FIG. 5 is a left side view thereof;
FIG. 6 is a right side view thereof;
FIG. 7 is a top view thereof;
FIG. 8 is a bottom view thereof;
FIG. 9 is an enlarged view of the selected portion in FIG. 1; and,
FIG. 10 is an enlarged view of the selected portion in FIG. 2.
The broken lines shown in the drawings depict portions of the garage light in which the design is embodied that form no part of the claimed design.

1 Claim, 10 Drawing Sheets



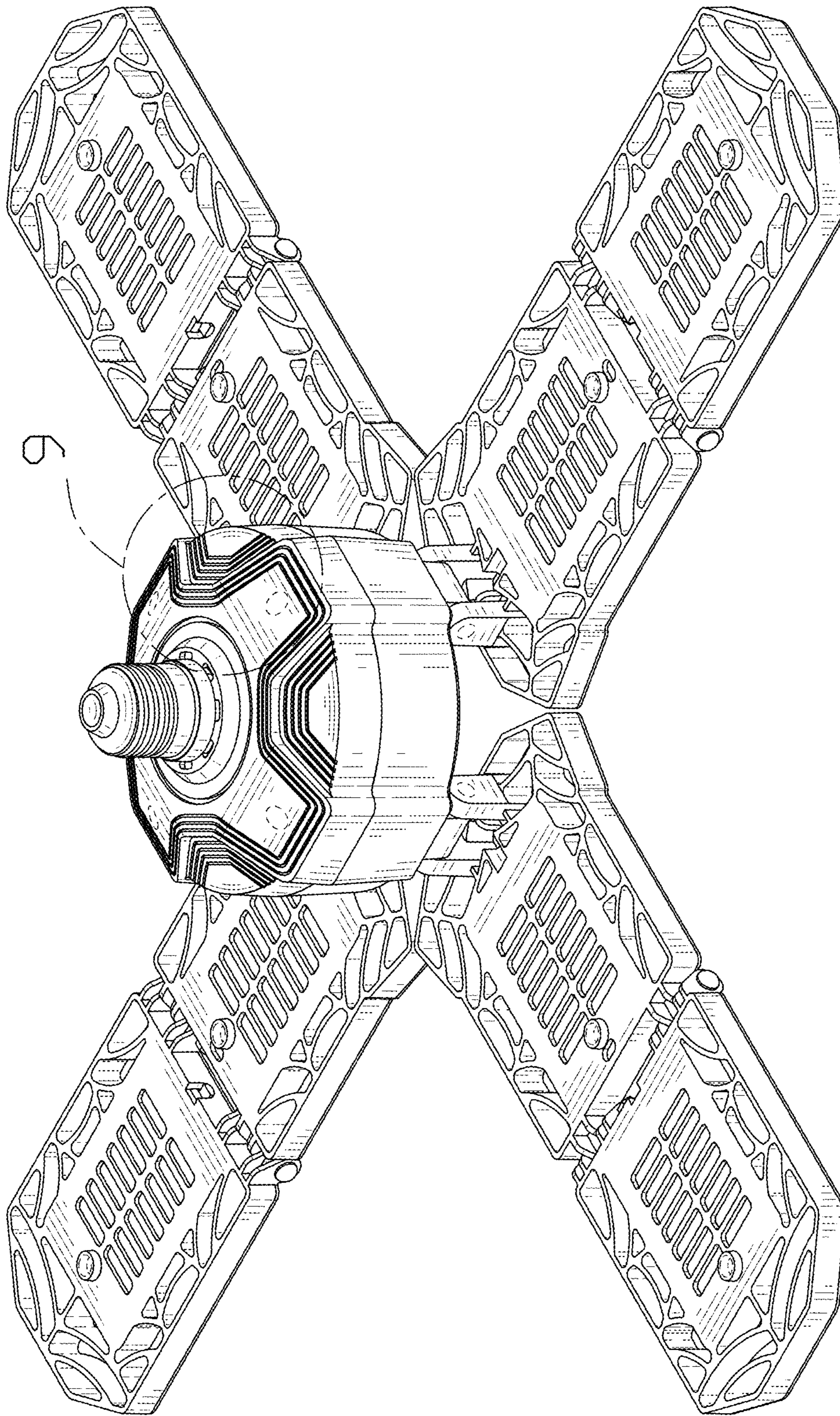


FIG. 1

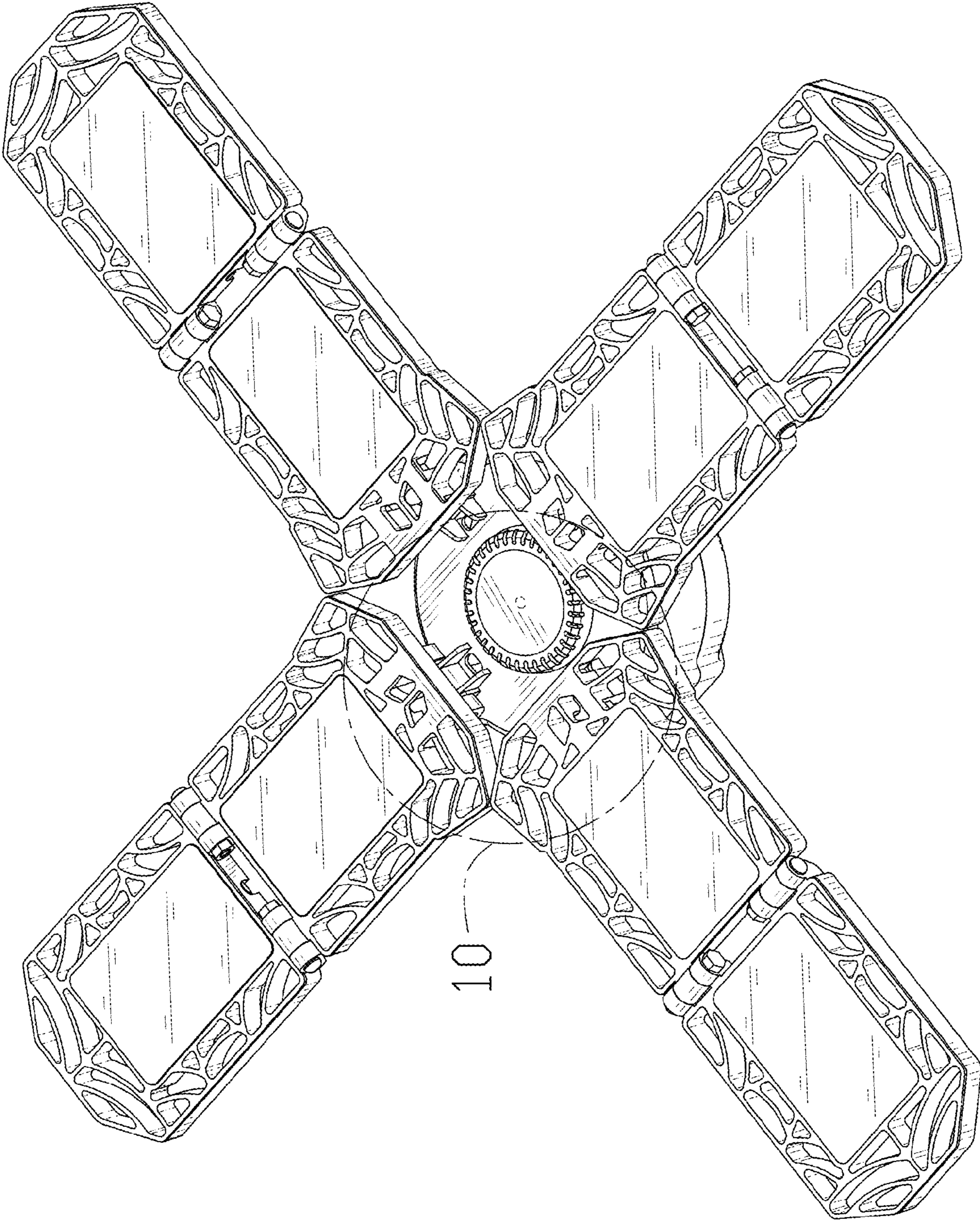


FIG. 2

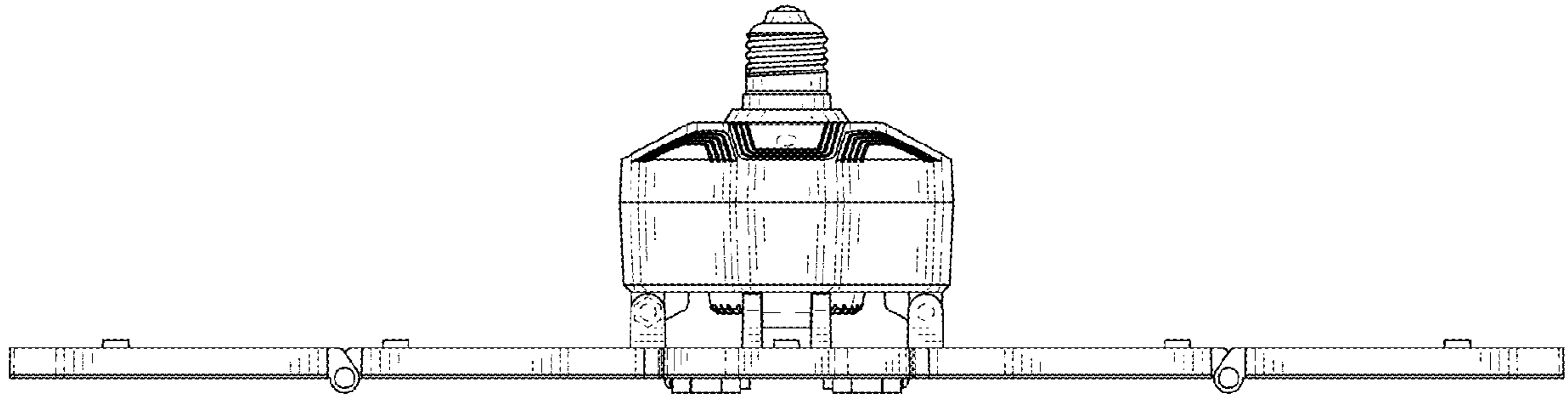


FIG. 3

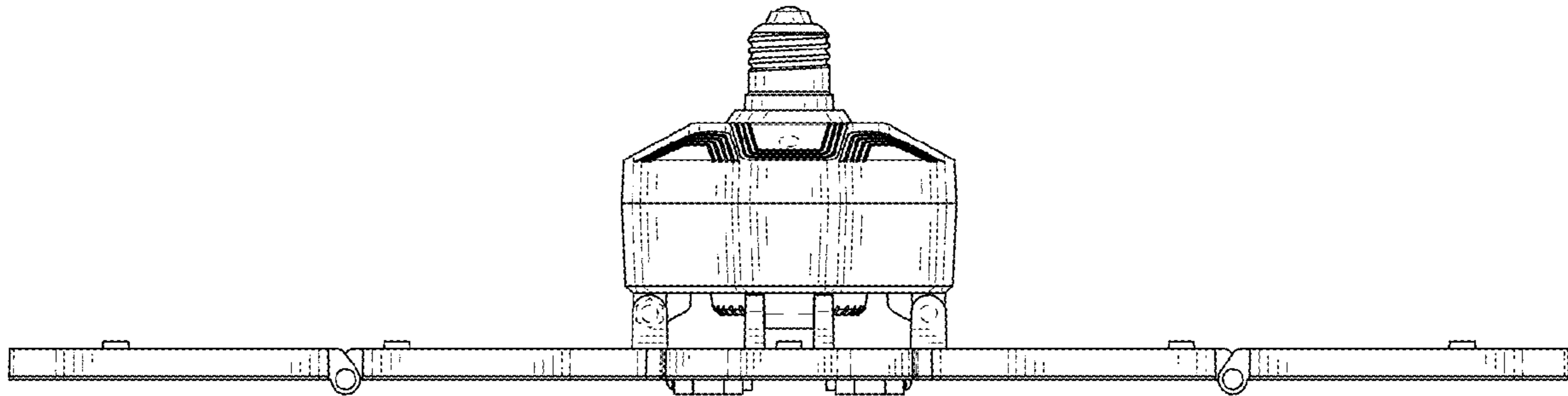


FIG. 4

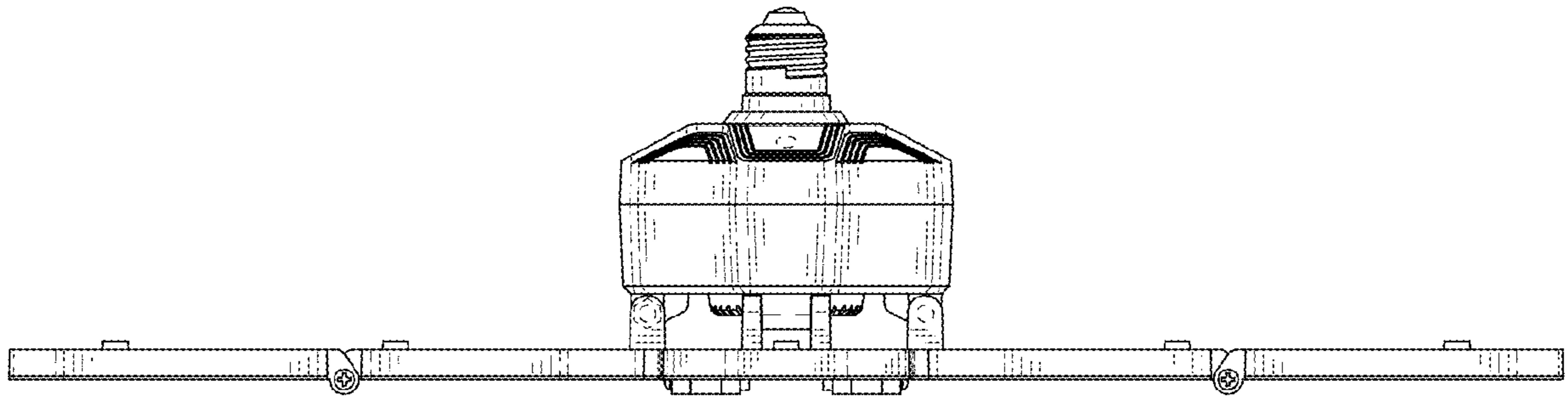


FIG. 5

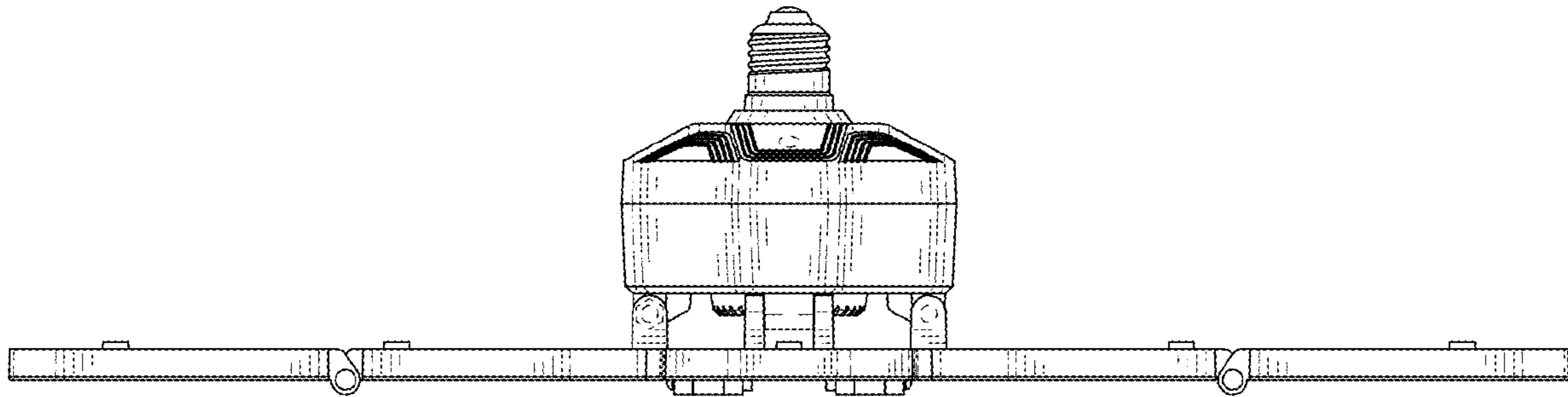


FIG. 6

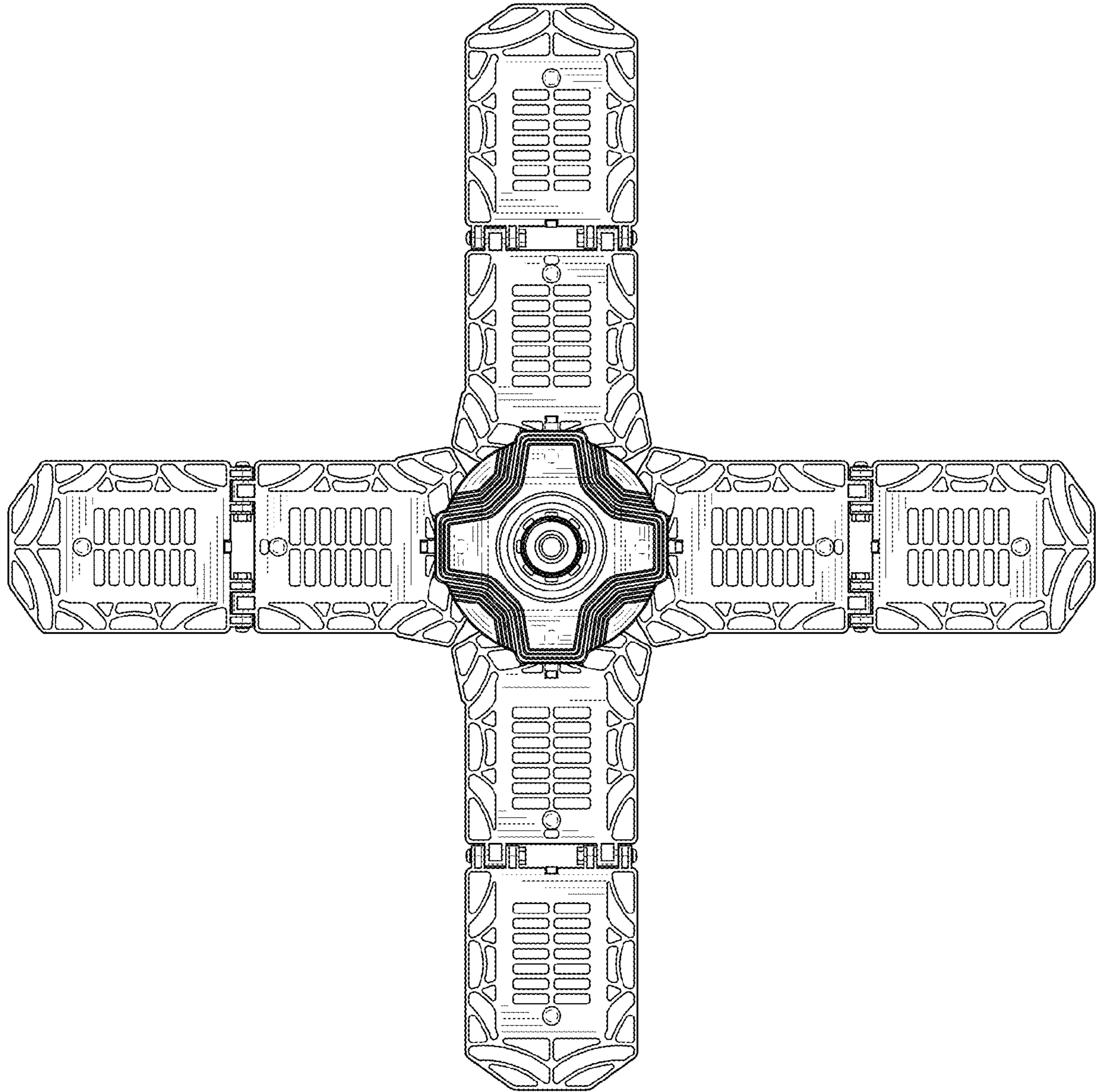


FIG. 7

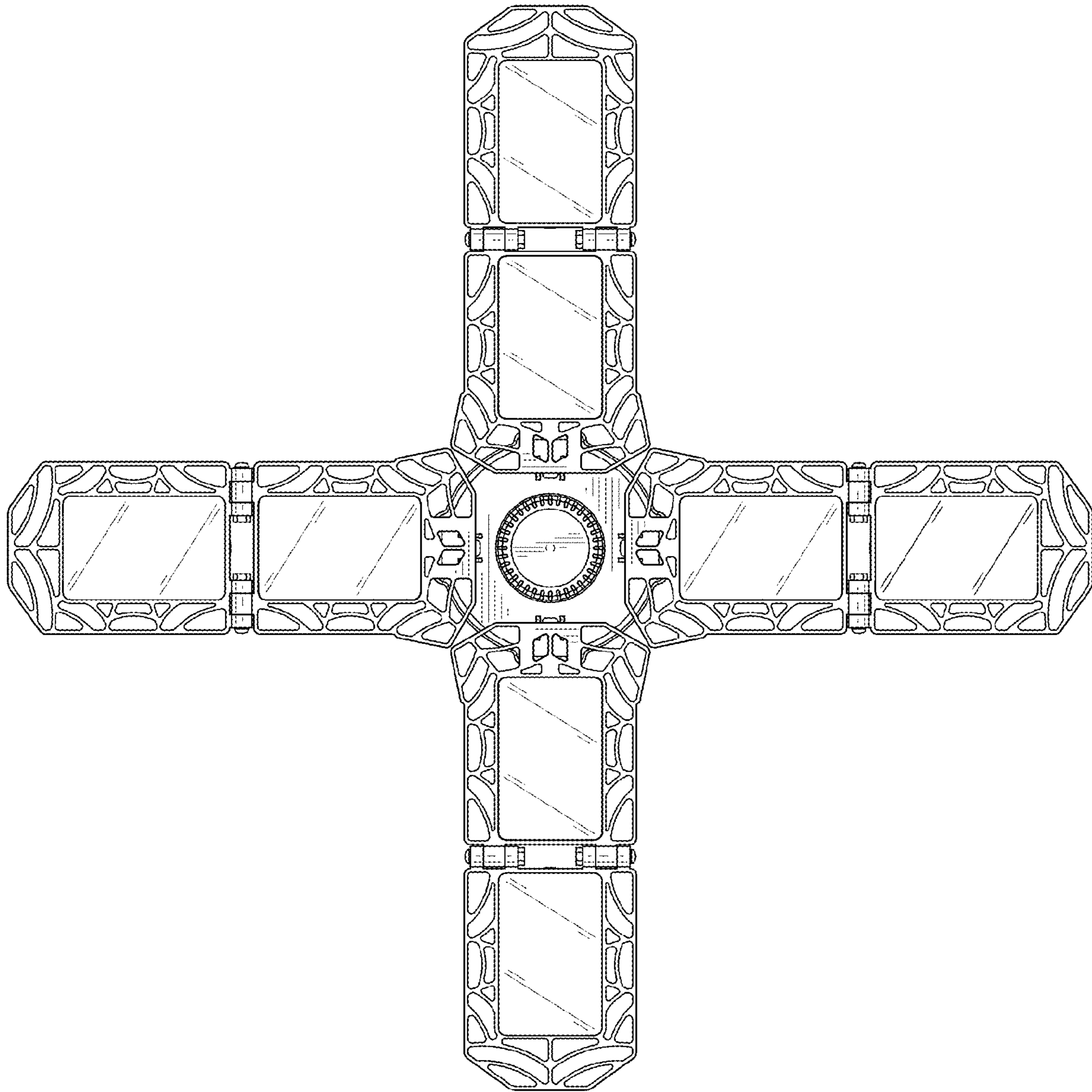


FIG. 8

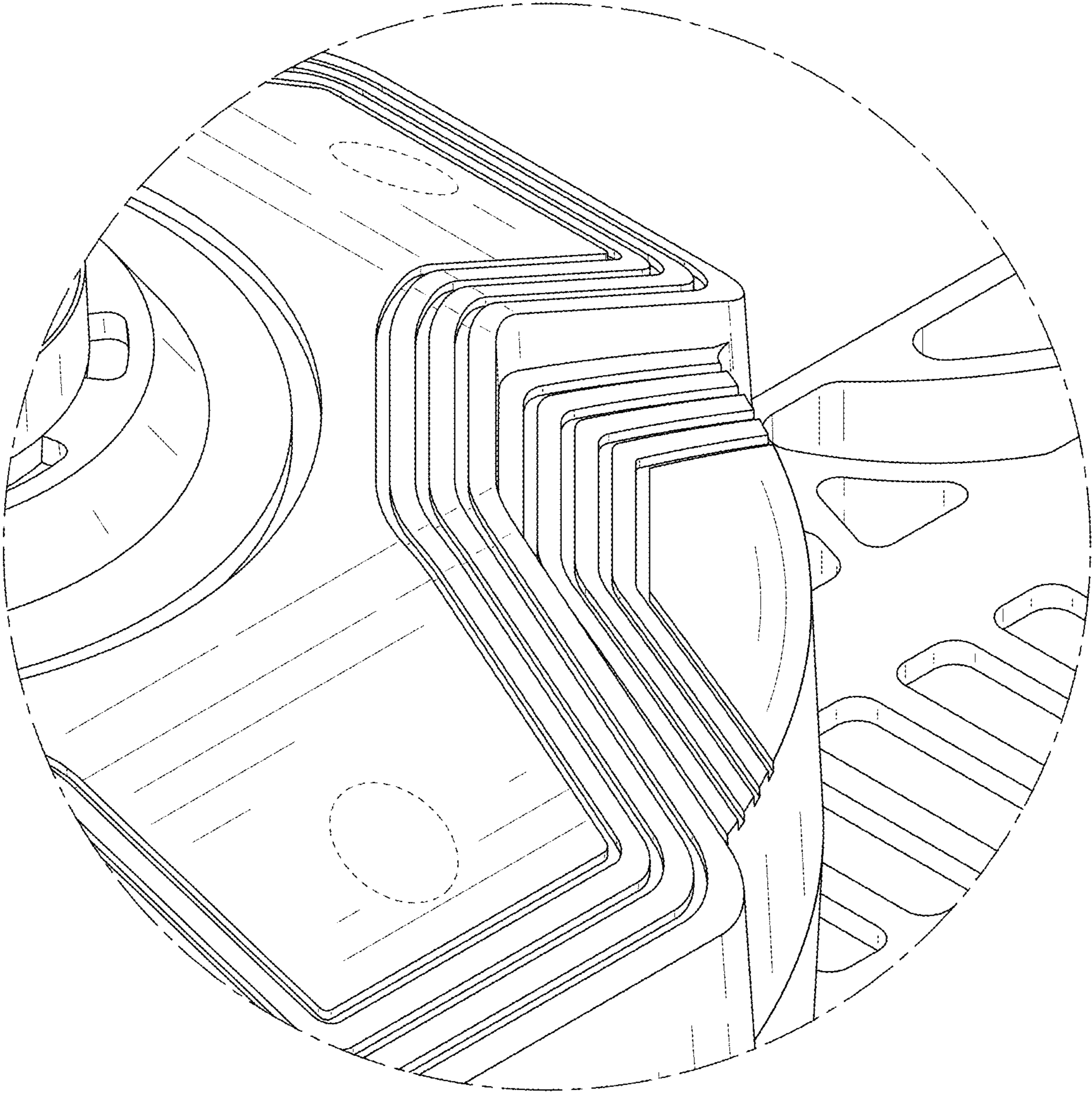


FIG. 9

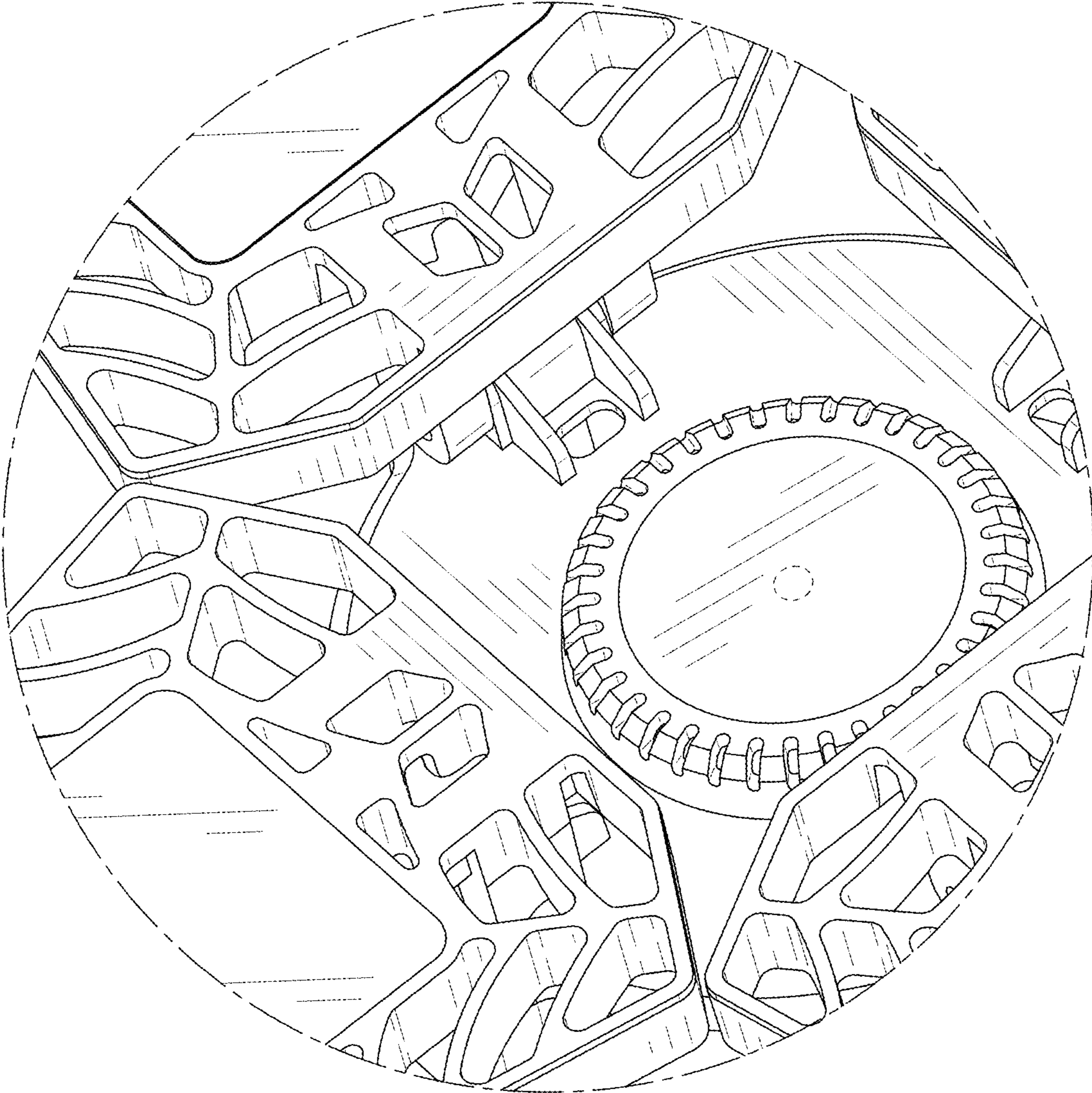


FIG. 10