



US00D956302S

(12) **United States Design Patent**  
**Xu**

(10) **Patent No.:** **US D956,302 S**  
(45) **Date of Patent:** **\*\* Jun. 28, 2022**

(54) **LED LAMP**

(71) Applicant: **SHENZHEN SNC OPTO ELECTRONIC CO., LTD.**, Shenzhen (CN)

(72) Inventor: **Jianjun Xu**, Shenzhen (CN)

(73) Assignee: **SHENZHEN SNC OPTO ELECTRONIC CO., LTD.**, Shenzhen (CN)

(\*\*) Term: **15 Years**

(21) Appl. No.: **29/738,861**

(22) Filed: **Jun. 19, 2020**

(51) **LOC (13) Cl.** ..... **26-05**

(52) **U.S. Cl.**  
USPC ..... **D26/63; D26/118**

(58) **Field of Classification Search**  
USPC ..... D26/24, 44, 51, 60, 61, 63, 72, 74, 80, D26/118  
CPC ..... F21W 2131/10; F21W 2131/20; F21W 2131/40; F21W 2131/101; F21W 2131/105; F21W 2131/107; F21W 2131/406; F21W 2131/407; F21V 21/00; F21V 21/04; F21V 21/14; F21V 21/30; F21V 29/74-77; F21V 29/745; F21S 8/00; F21S 8/04

See application file for complete search history.

(56) **References Cited**

**U.S. PATENT DOCUMENTS**

- D587,833 S \* 3/2009 Bina ..... D26/63
- D633,248 S \* 2/2011 Alexander ..... D26/118
- D634,871 S \* 3/2011 Wooh ..... D26/63
- D658,805 S \* 5/2012 Orrom ..... D26/118
- D689,232 S \* 9/2013 Velazquez ..... F21V 23/06
- D694,926 S \* 12/2013 Toft ..... D26/63

- D694,927 S \* 12/2013 Toft ..... D26/63
- D696,452 S \* 12/2013 Gordin ..... D26/118
- D705,480 S \* 5/2014 Acampora ..... D26/118
- D713,594 S \* 9/2014 Norris ..... D26/118
- D714,987 S \* 10/2014 Saville ..... D26/74
- D714,991 S \* 10/2014 Norris ..... D26/118
- D715,480 S \* 10/2014 Christ ..... D26/118
- D750,826 S \* 3/2016 Jonischkeit ..... D26/61
- D762,181 S \* 7/2016 Lin ..... F21V 29/83
- D789,581 S \* 6/2017 Peard ..... D26/61
- D845,530 S \* 4/2019 Yu ..... D26/63
- D856,562 S \* 8/2019 Shi ..... D26/63
- D861,202 S \* 9/2019 Renvall ..... D26/28
- D863,613 S \* 10/2019 Korpi ..... D26/28
- D895,186 S \* 9/2020 Merovitz ..... D26/63
- D901,058 S \* 11/2020 Li ..... D26/72
- D901,740 S \* 11/2020 Bao ..... D26/63
- D901,744 S \* 11/2020 Xu ..... D26/72
- D906,563 S \* 12/2020 Muck ..... D26/63
- 10,851,977 B2 \* 12/2020 Mathews ..... F21V 21/30

(Continued)

*Primary Examiner* — Clint A Samuel

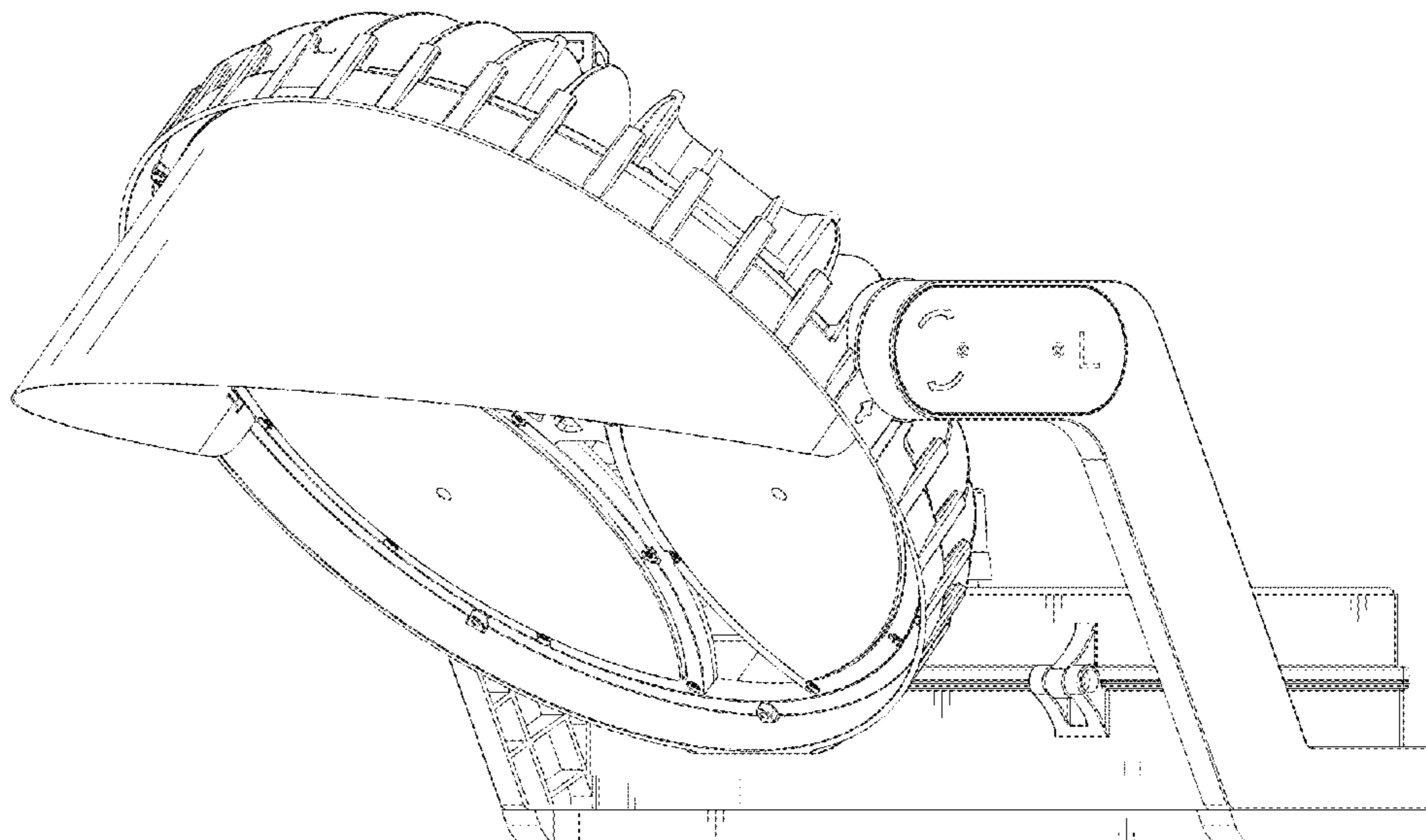
(57) **CLAIM**

The ornamental design for a LED lamp, as shown and described.

**DESCRIPTION**

FIG. 1 is a perspective view of an LED lamp showing my new design;  
 FIG. 2 is another perspective view of the LED lamp shown in FIG. 1;  
 FIG. 3 is a front elevational view thereof;  
 FIG. 4 is a rear elevational view thereof;  
 FIG. 5 is a left side elevational view thereof;  
 FIG. 6 is a right side elevational view thereof;  
 FIG. 7 is a top plan view thereof; and,  
 FIG. 8 is a bottom plan view thereof.  
 The broken lines in the drawings depict portions of the LED lamp that form no part of the claimed design.

**1 Claim, 8 Drawing Sheets**



(56)

**References Cited**

U.S. PATENT DOCUMENTS

D910,218	S *	2/2021	Somasekar .....	D26/63
D911,567	S *	2/2021	Ly .....	D26/63
D914,945	S *	3/2021	Wu .....	D26/63
D915,651	S *	4/2021	Tan .....	D26/63
D921,256	S *	6/2021	Wang .....	D26/61
2012/0287613	A1 *	11/2012	Hamel .....	F21V 29/507 362/184
2012/0287627	A1 *	11/2012	Campbell .....	F21V 29/507 362/235
2015/0167922	A1 *	6/2015	Casper .....	F21V 15/012 362/311.02
2016/0018089	A1 *	1/2016	Dragov .....	F21V 21/00 362/294
2016/0338156	A1 *	11/2016	Casper .....	F21V 23/02
2018/0306426	A1 *	10/2018	Patterson .....	F21V 29/74
2019/0063724	A1 *	2/2019	Vice, Jr .....	F21V 17/12
2019/0331324	A1 *	10/2019	Clark .....	F21V 23/009
2020/0056764	A1 *	2/2020	Baxter .....	F21V 21/30
2020/0370718	A1 *	11/2020	Romano .....	F21S 2/005

\* cited by examiner

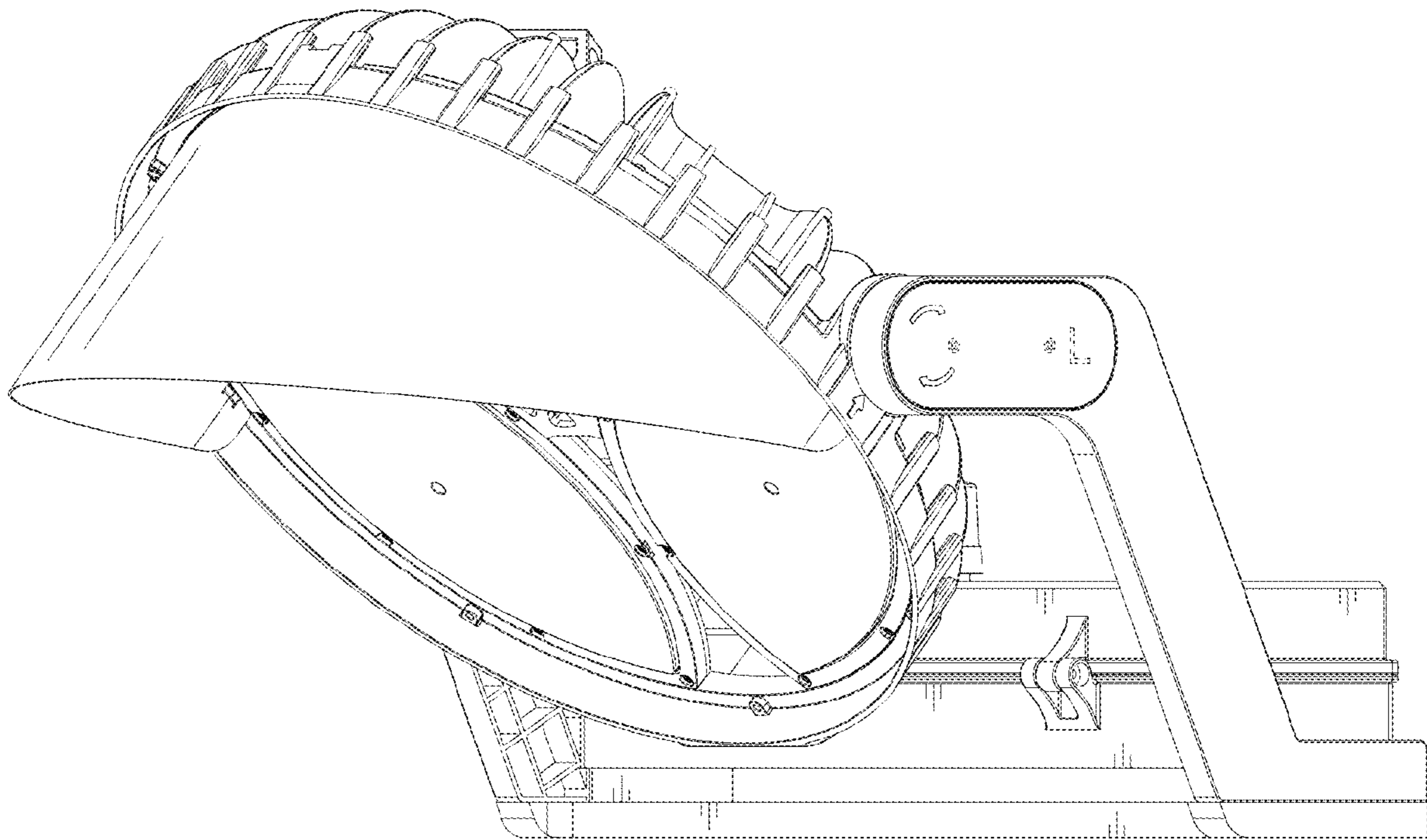


FIG. 1

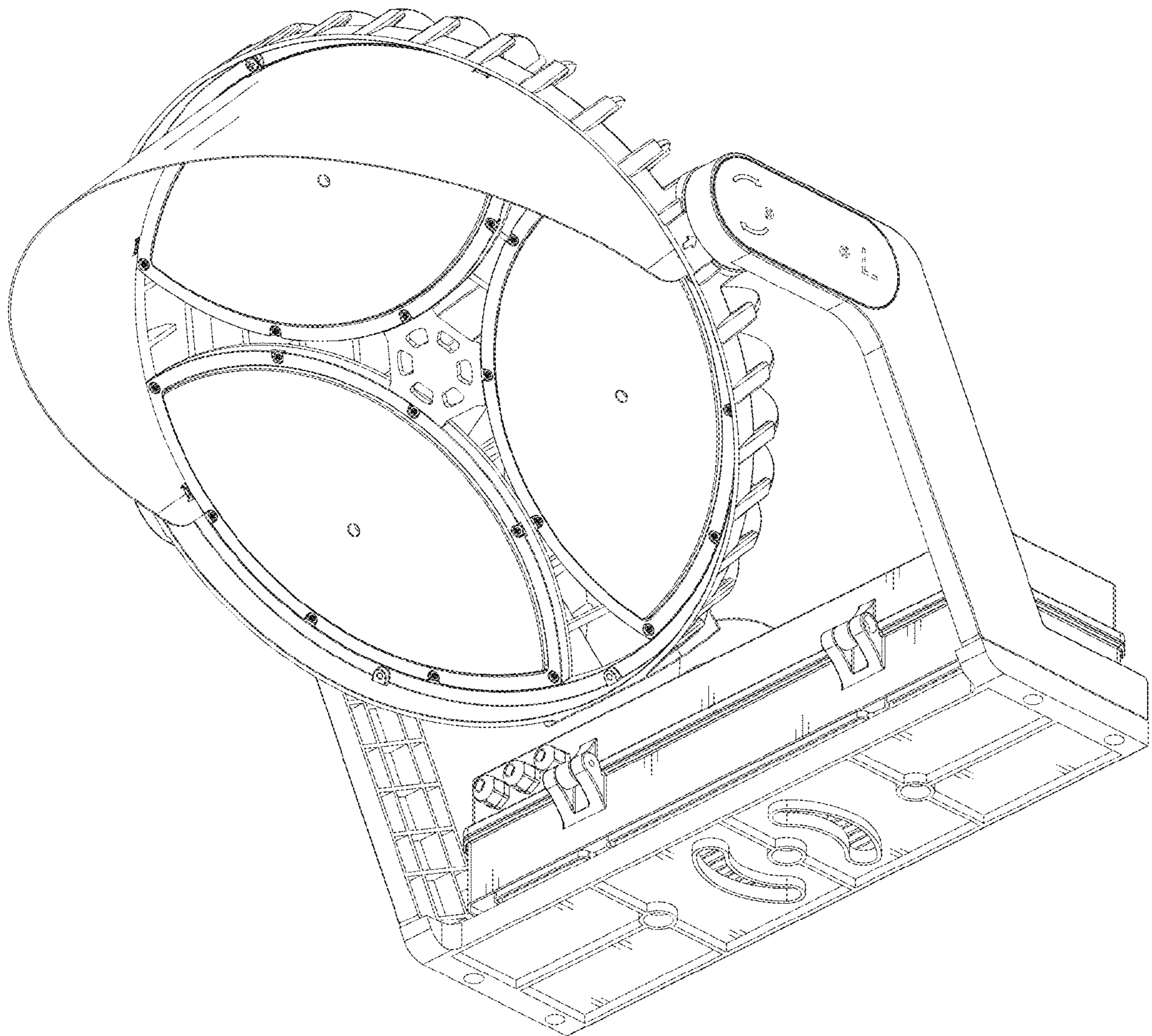


FIG. 2

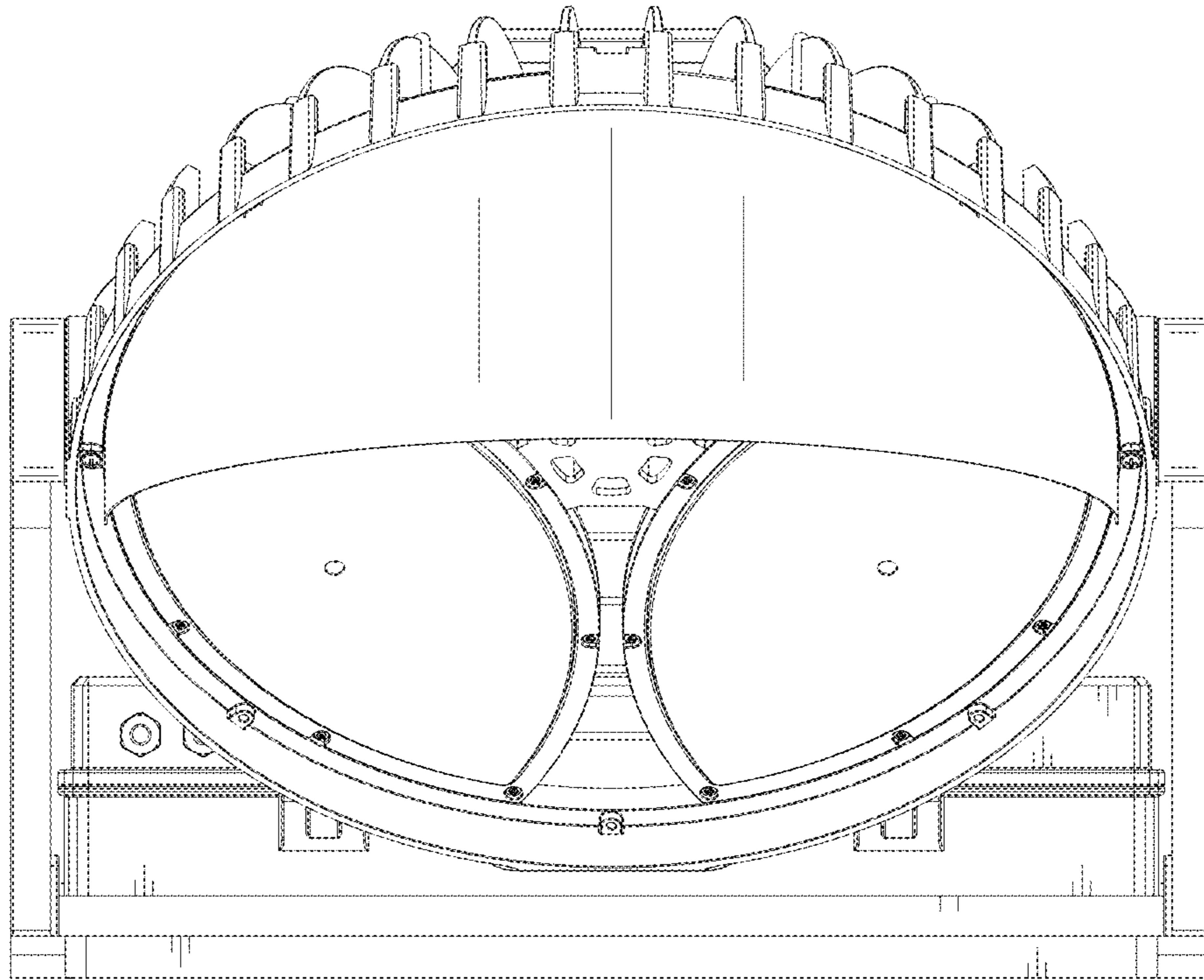


FIG. 3

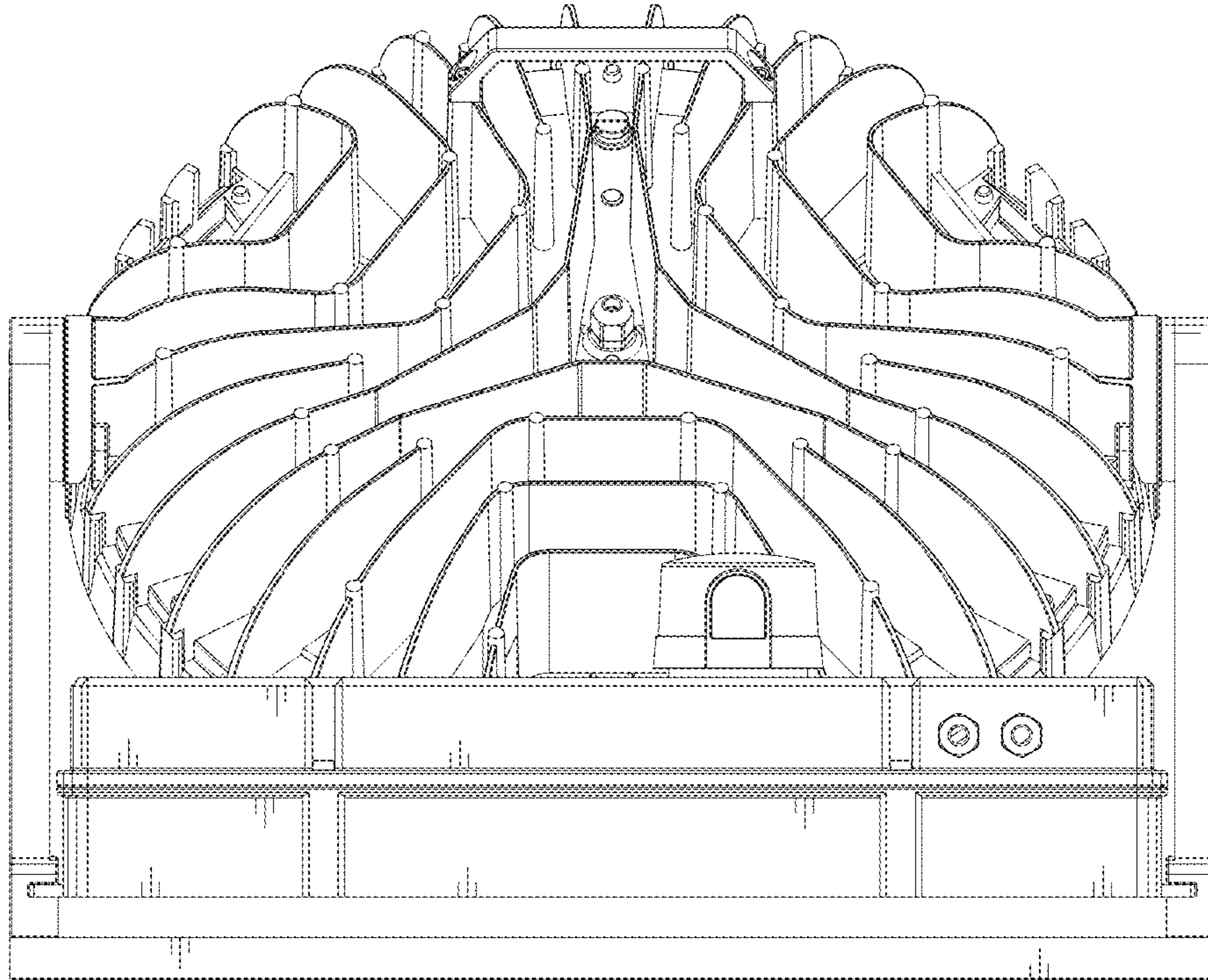


FIG. 4

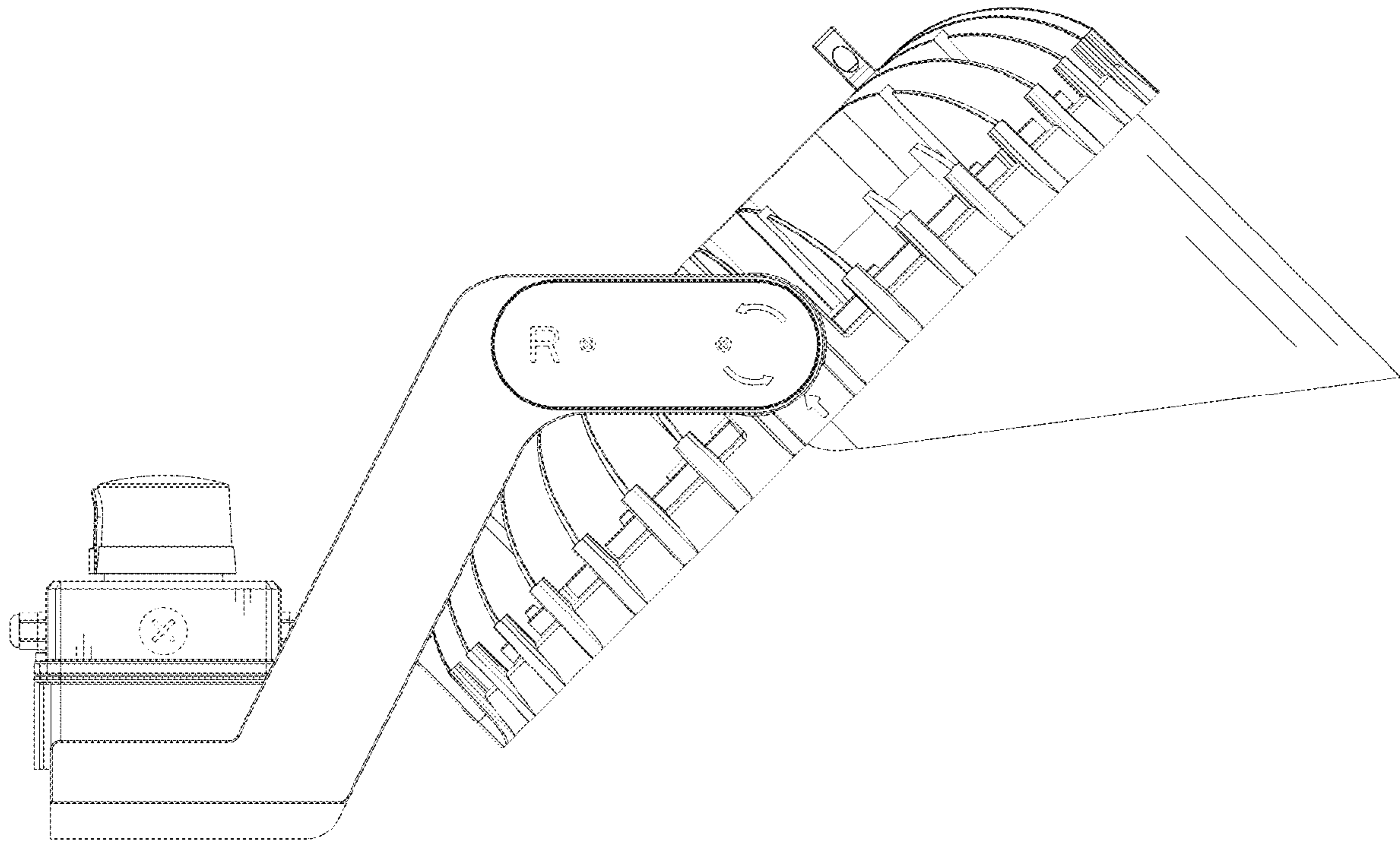


FIG. 5

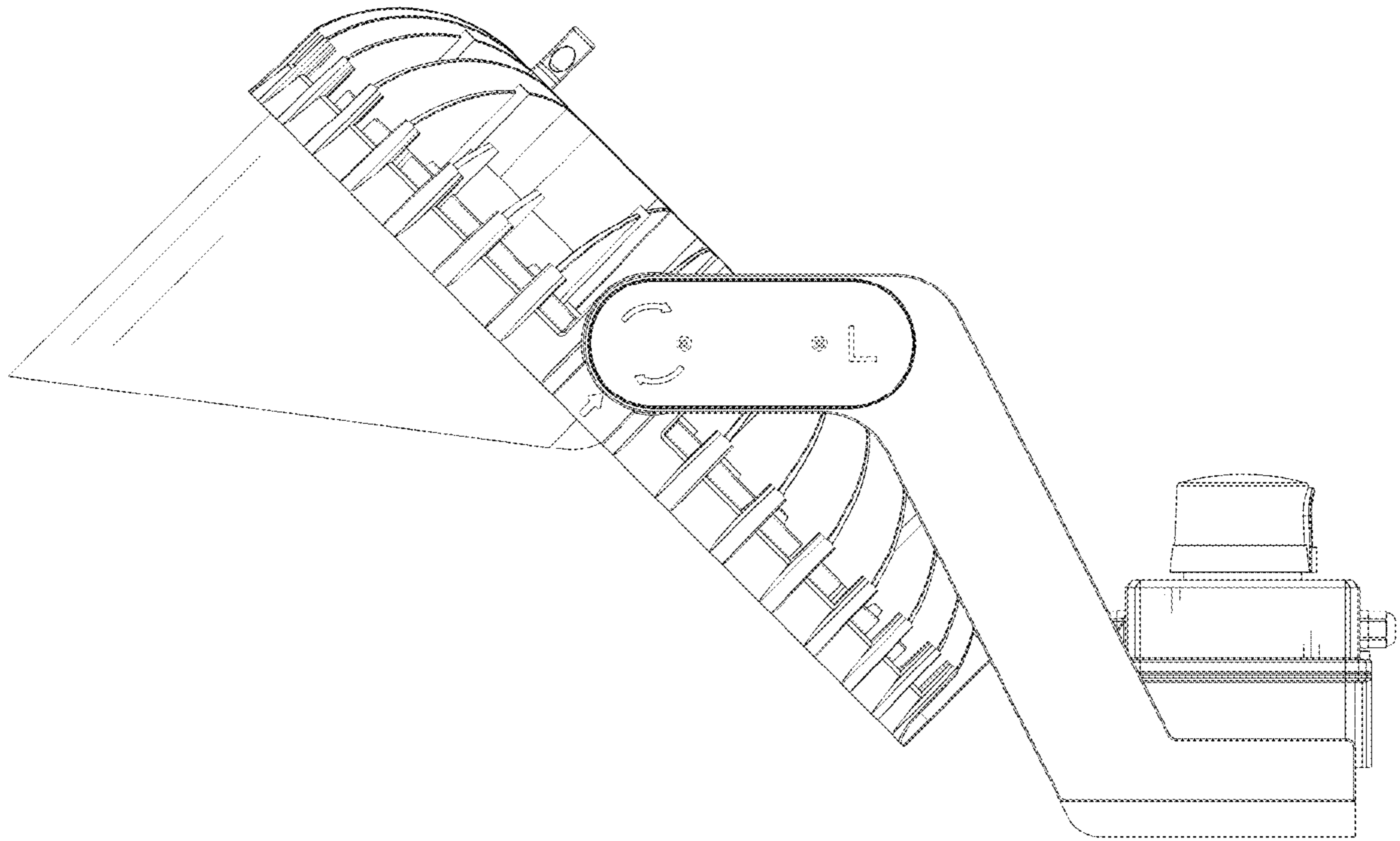


FIG. 6



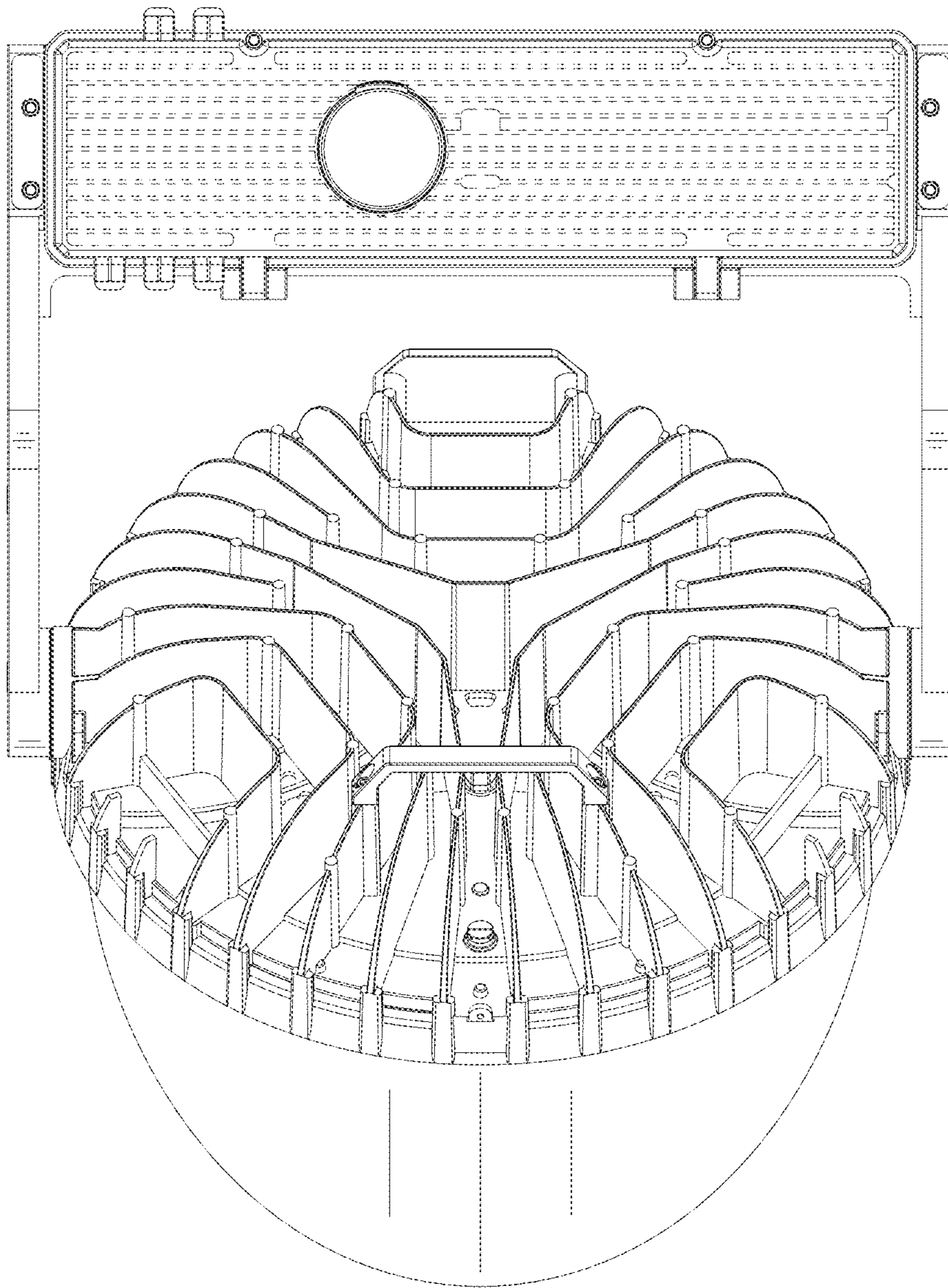


FIG. 7

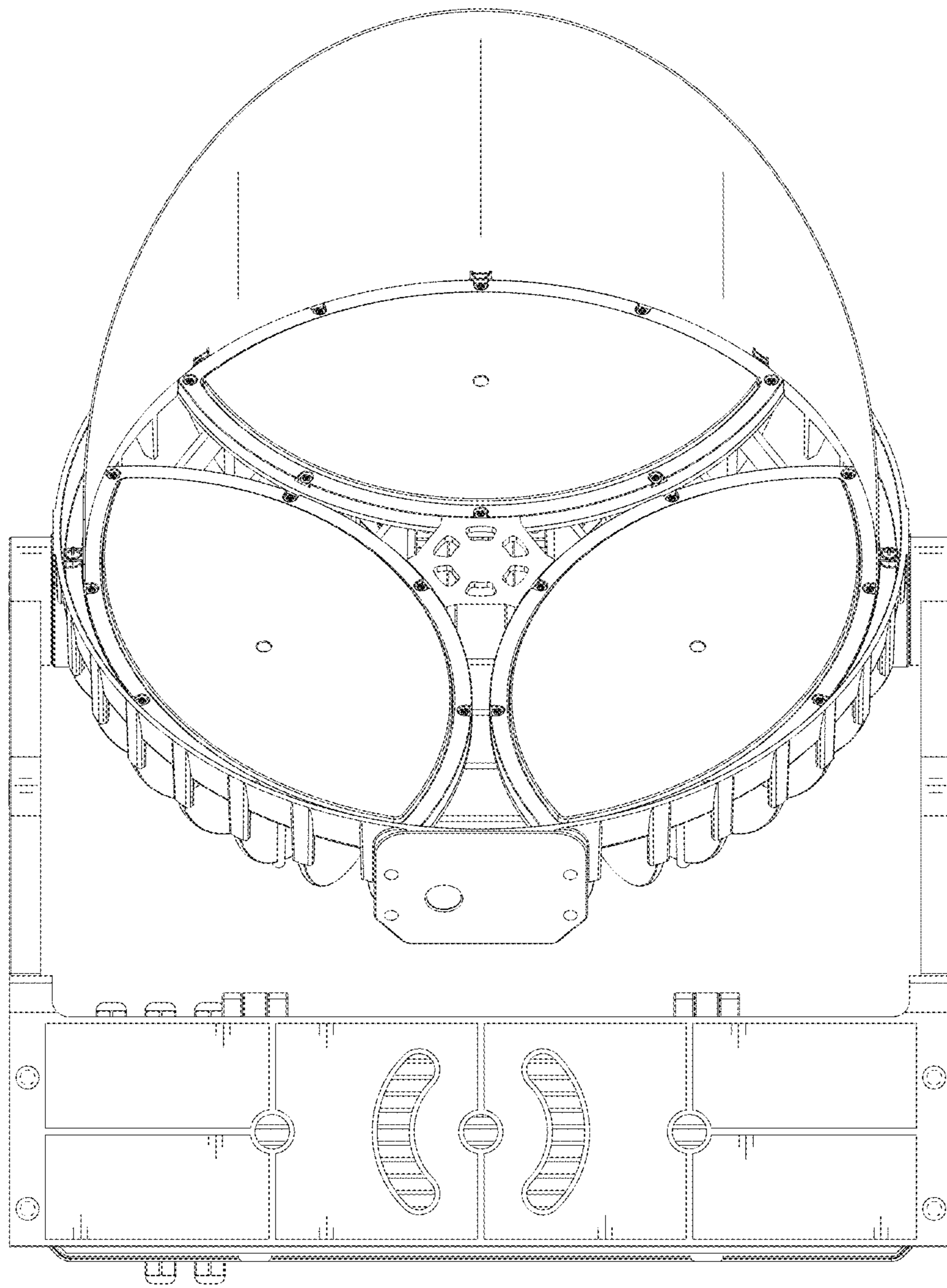


FIG. 8