



US00D956300S

(12) **United States Design Patent**
Yan

(10) **Patent No.:** **US D956,300 S**
(45) **Date of Patent:** **** Jun. 28, 2022**

(54) **SOLAR FOLDING WALL LAMP WITH THREE PARTS**

(71) Applicant: **Xiangshan Yan**, Guangdong (CN)

(72) Inventor: **Xiangshan Yan**, Guangdong (CN)

(**) Term: **15 Years**

(21) Appl. No.: **29/738,048**

(22) Filed: **Jun. 15, 2020**

(51) **LOC (13) Cl.** **26-05**

(52) **U.S. Cl.**
USPC **D26/63; D26/120; D26/65**

(58) **Field of Classification Search**
USPC D26/24, 51, 61, 63, 65, 67, 72, 80, 81, D26/83, 92, 100, 120; D16/203
CPC F21S 8/00; F21S 8/04; F21S 8/003; F21S 8/033; F21S 9/00; F21S 9/02; F21S 9/022; F21S 9/03; F21S 9/032; F21S 9/035; F21S 9/037; F21W 2131/10; F21W 2131/20; F21W 2131/101; F21W 2131/107; F21W 2131/402; F21W 2131/1005; F21V 21/00; F21V 21/02; F21V 21/10; F21V 21/14; F21V 21/26; F21V 21/30; F21V 14/02; F21V 17/02
See application file for complete search history.

(56) **References Cited**

U.S. PATENT DOCUMENTS

D392,065 S *	3/1998	Morrow	D10/106.1
D690,613 S *	10/2013	Holland	D10/114.2
D761,474 S *	7/2016	Chen	D26/65
D788,967 S *	6/2017	Chen	D26/65
D869,721 S *	12/2019	Recker	D26/63

D889,721 S *	7/2020	Tan	D26/63
D892,380 S *	8/2020	Yan	D26/65
D894,461 S *	8/2020	Recker	D26/63
D894,462 S *	8/2020	Recker	D26/63
D896,424 S *	9/2020	Wang	D26/63
RE48,386 E *	1/2021	Paredes	F21V 21/29 D26/120
D908,262 S *	1/2021	Dai	D26/63
D914,261 S *	3/2021	Ouyang	D26/65
D922,645 S *	6/2021	Gowing	D26/63
D929,008 S *	8/2021	Singh	D26/63
2017/0184293 A1 *	6/2017	Chen	F21V 23/0471
2018/0195703 A1 *	7/2018	Bailey	F21V 21/02

* cited by examiner

Primary Examiner — Clint A Samuel

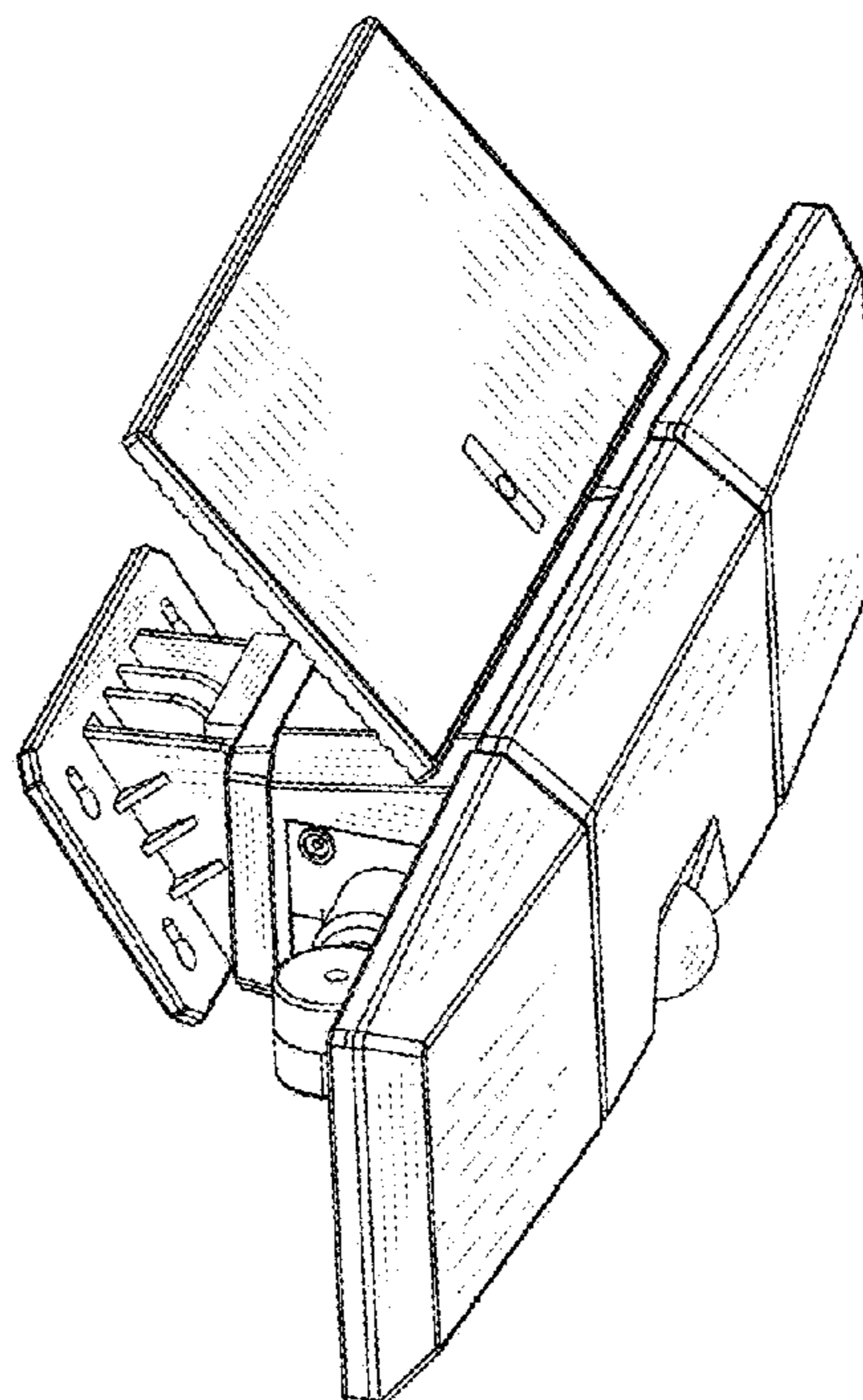
(57) **CLAIM**

The ornamental design for a solar folding wall lamp with three parts, as shown and described.

DESCRIPTION

FIG. 1 is a perspective view of a solar folding wall lamp with three parts showing my new design;
FIG. 2 is a front elevational view thereof;
FIG. 3 is a rear elevational view thereof;
FIG. 4 is a left side elevational view thereof;
FIG. 5 is a right side elevational view thereof;
FIG. 6 is a top plan view thereof;
FIG. 7 is a bottom plan view thereof;
FIG. 8 is a rear side perspective view thereof;
FIG. 9 is a front side perspective view thereof, shown the three parts are in separated state; and,
FIG. 10 is a rear side perspective view thereof, shown the three parts are in separated state.

1 Claim, 10 Drawing Sheets



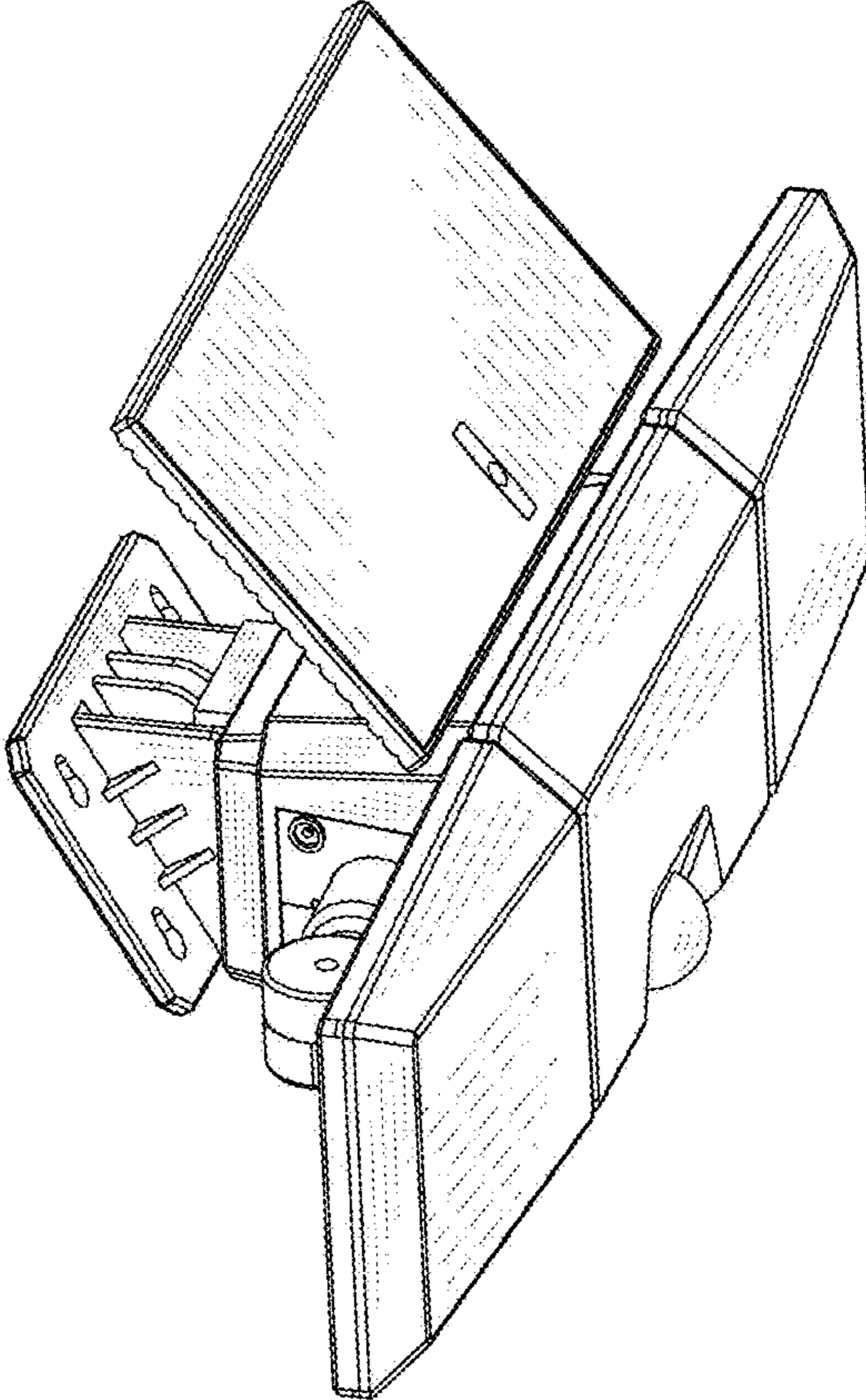


FIG. 1

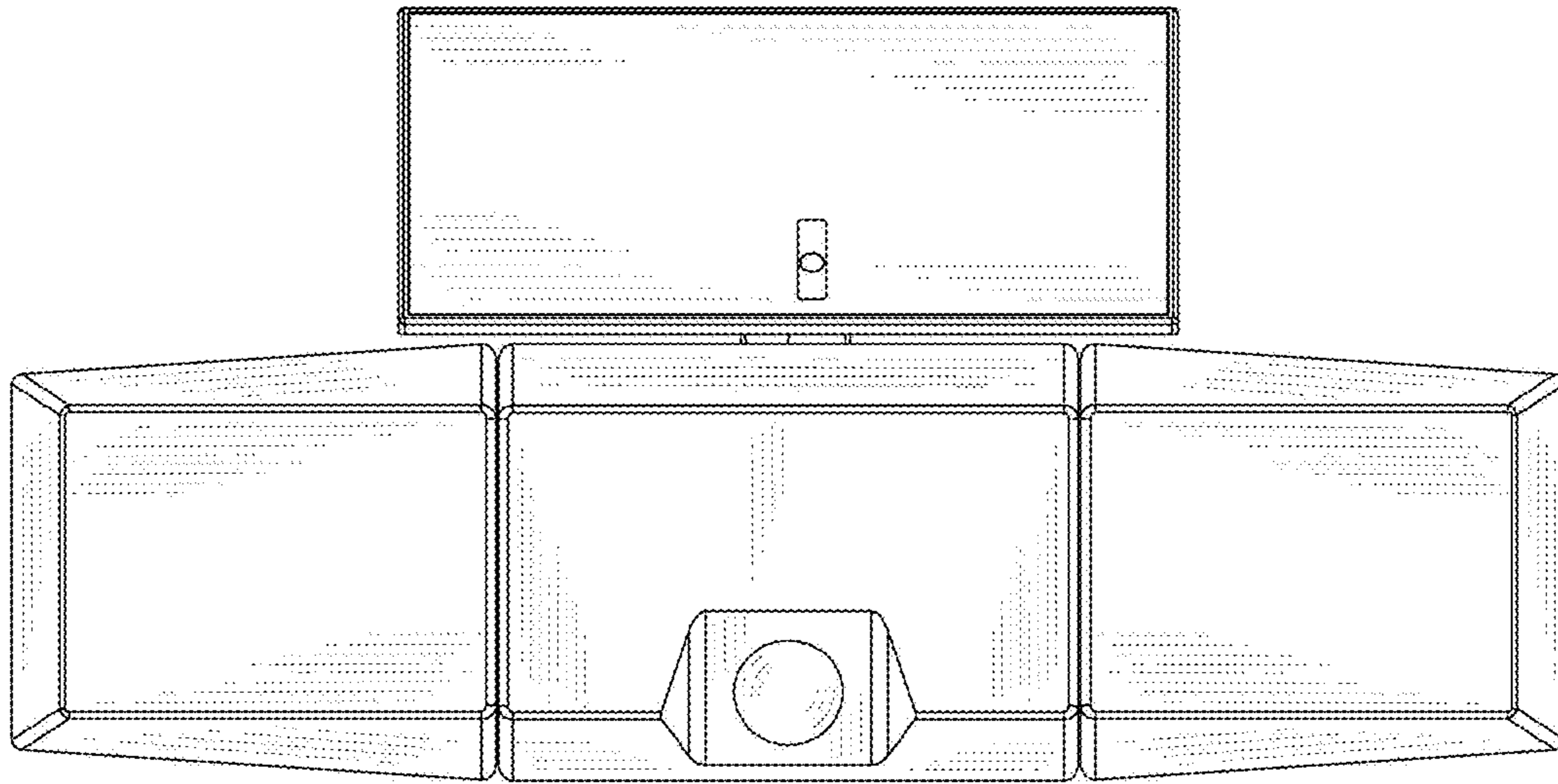


FIG. 2

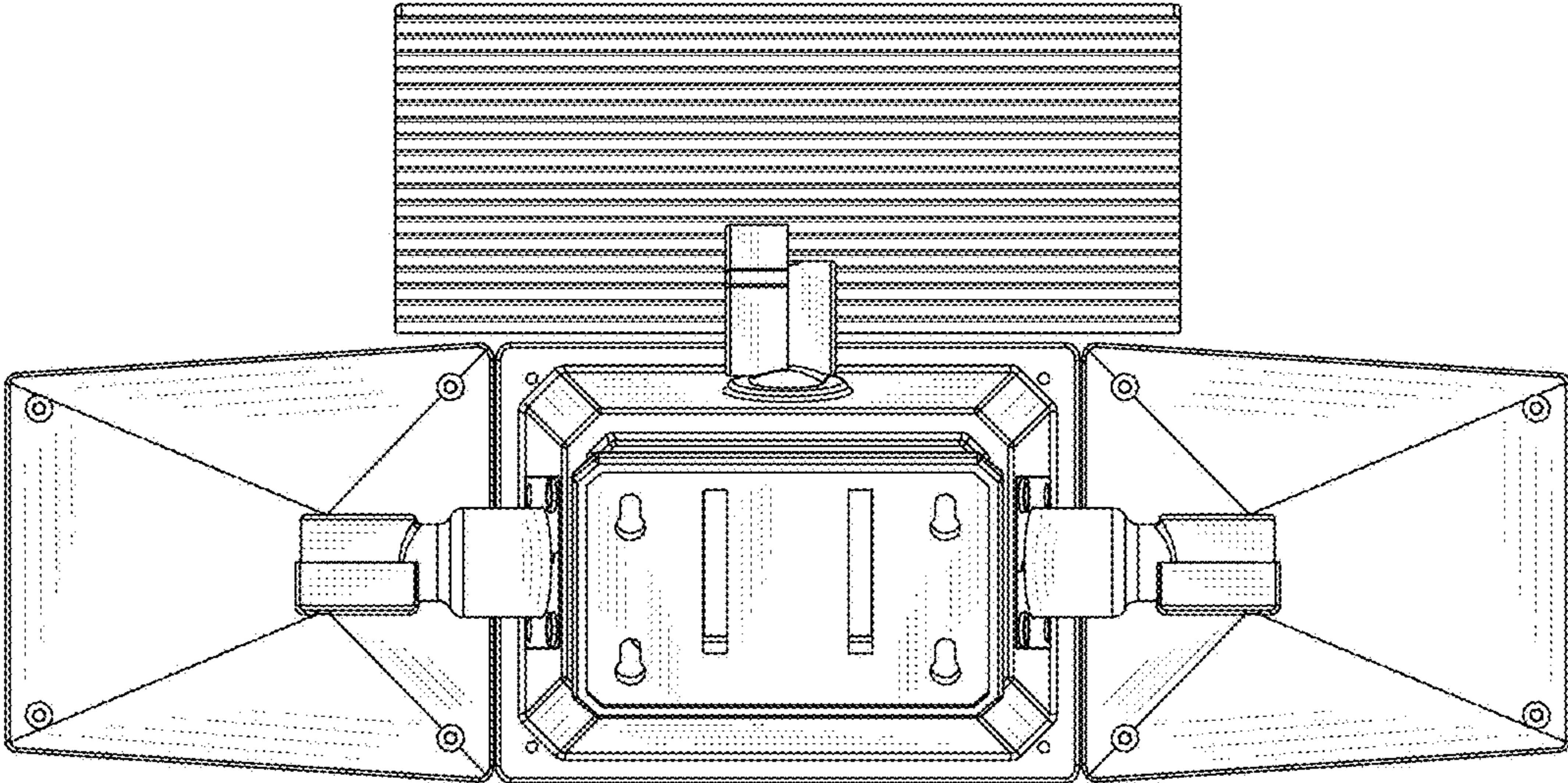


FIG. 3

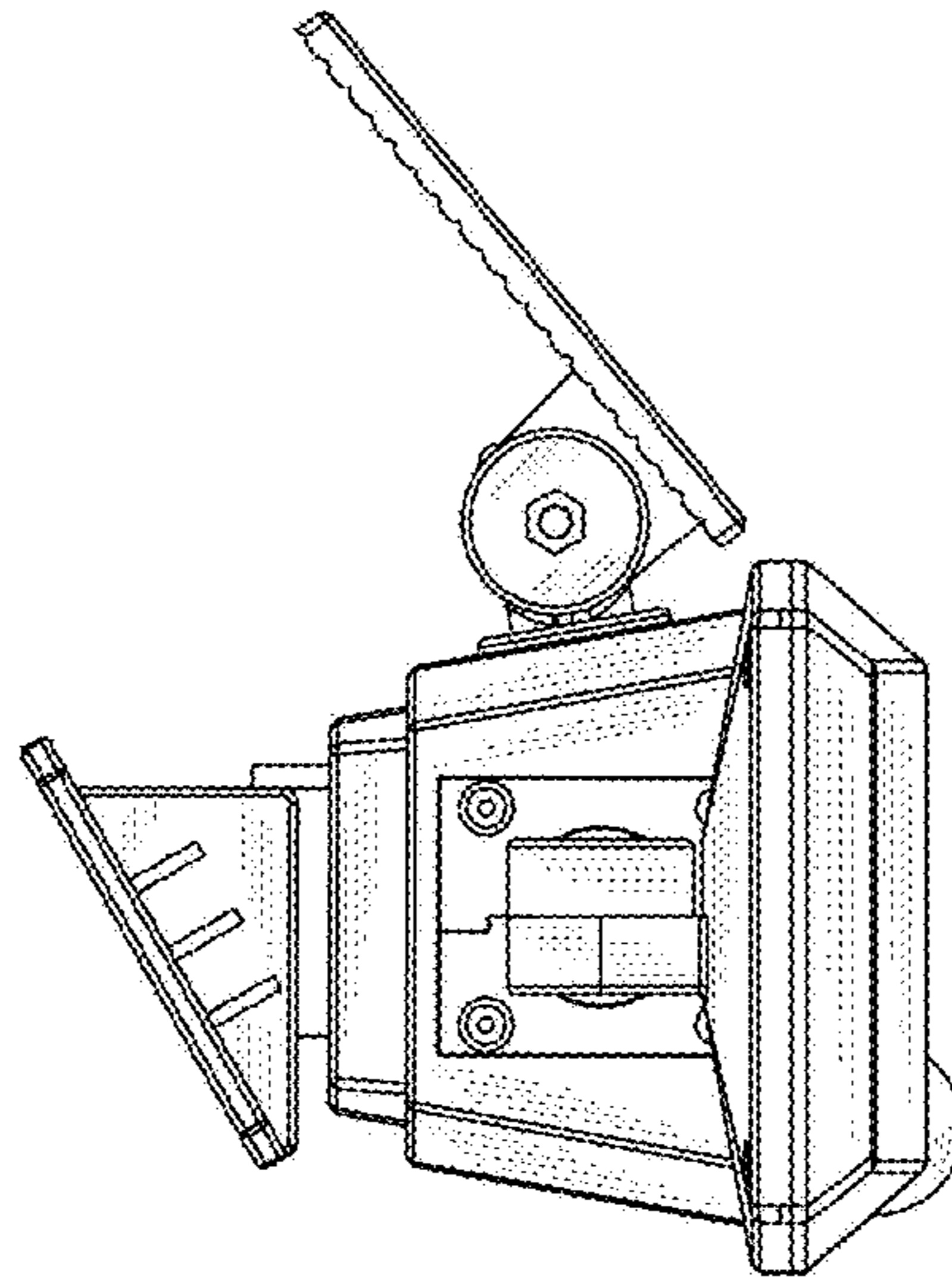


FIG. 4

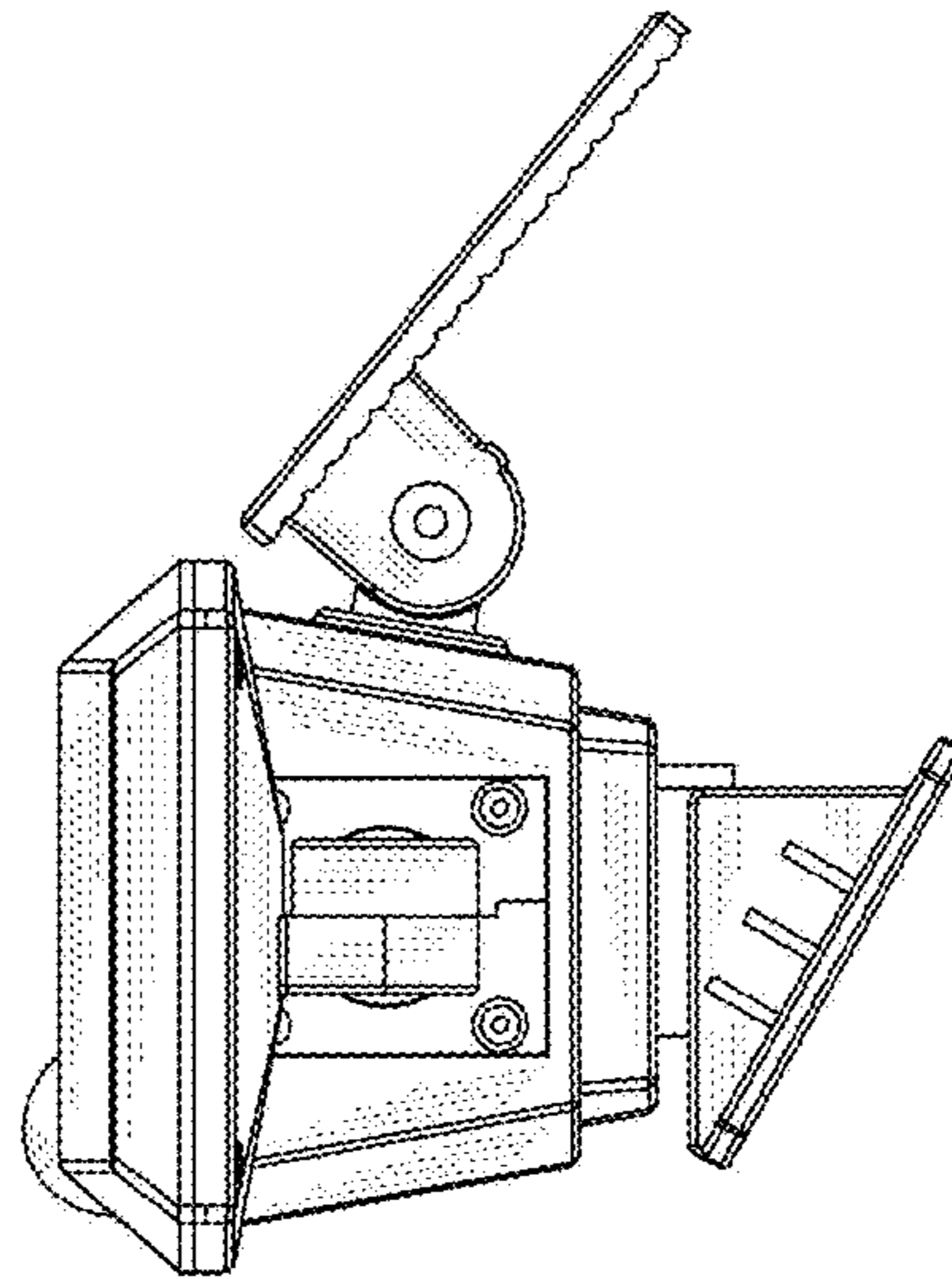


FIG. 5

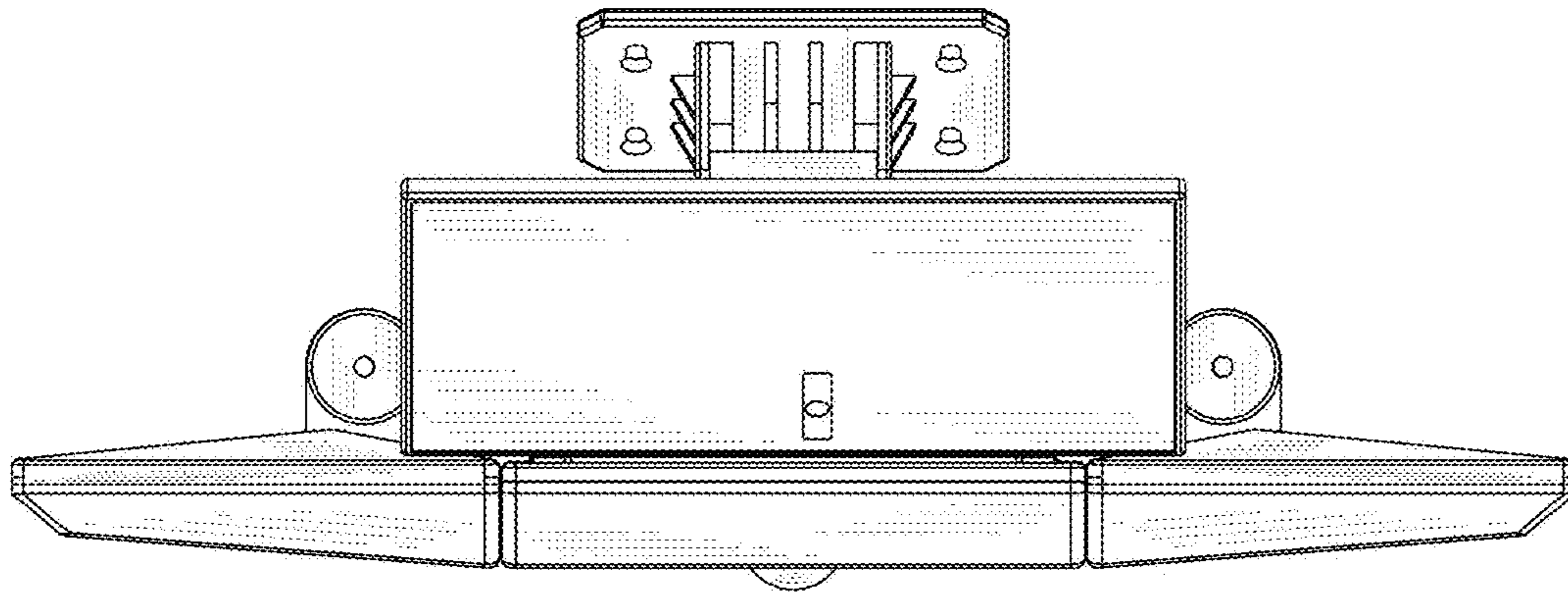


FIG. 6

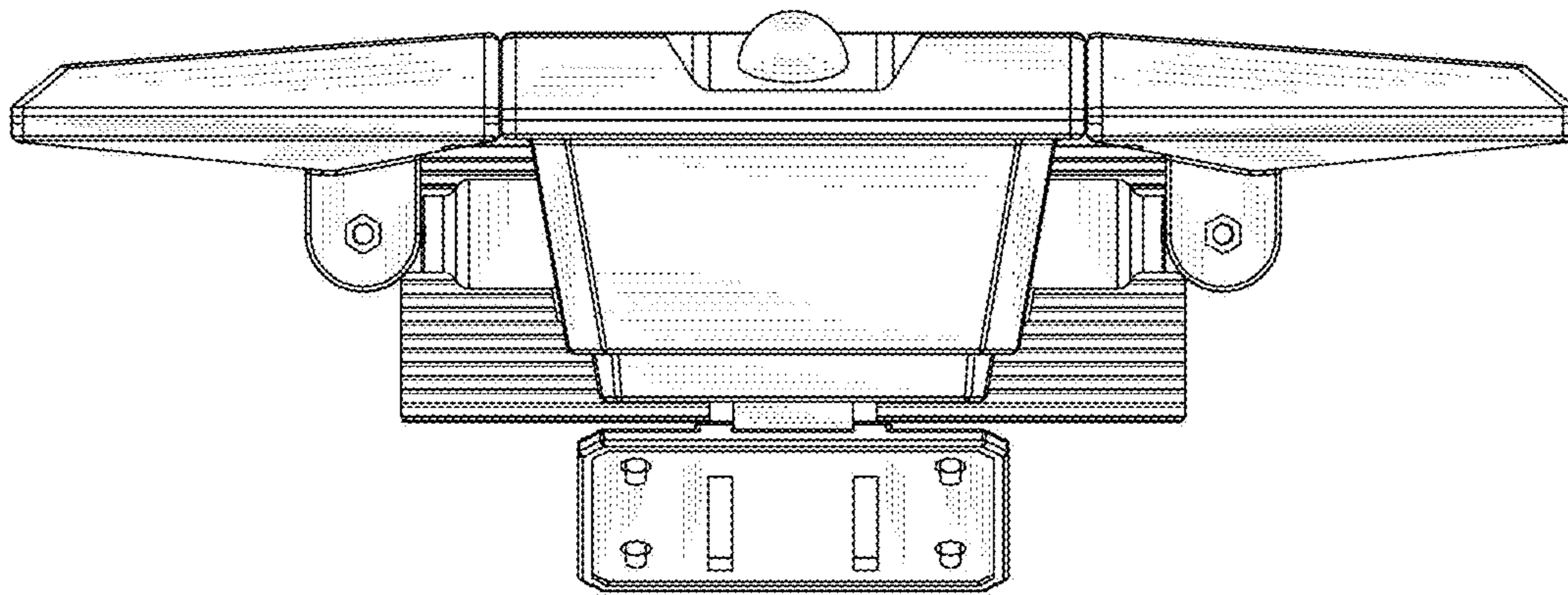


FIG. 7

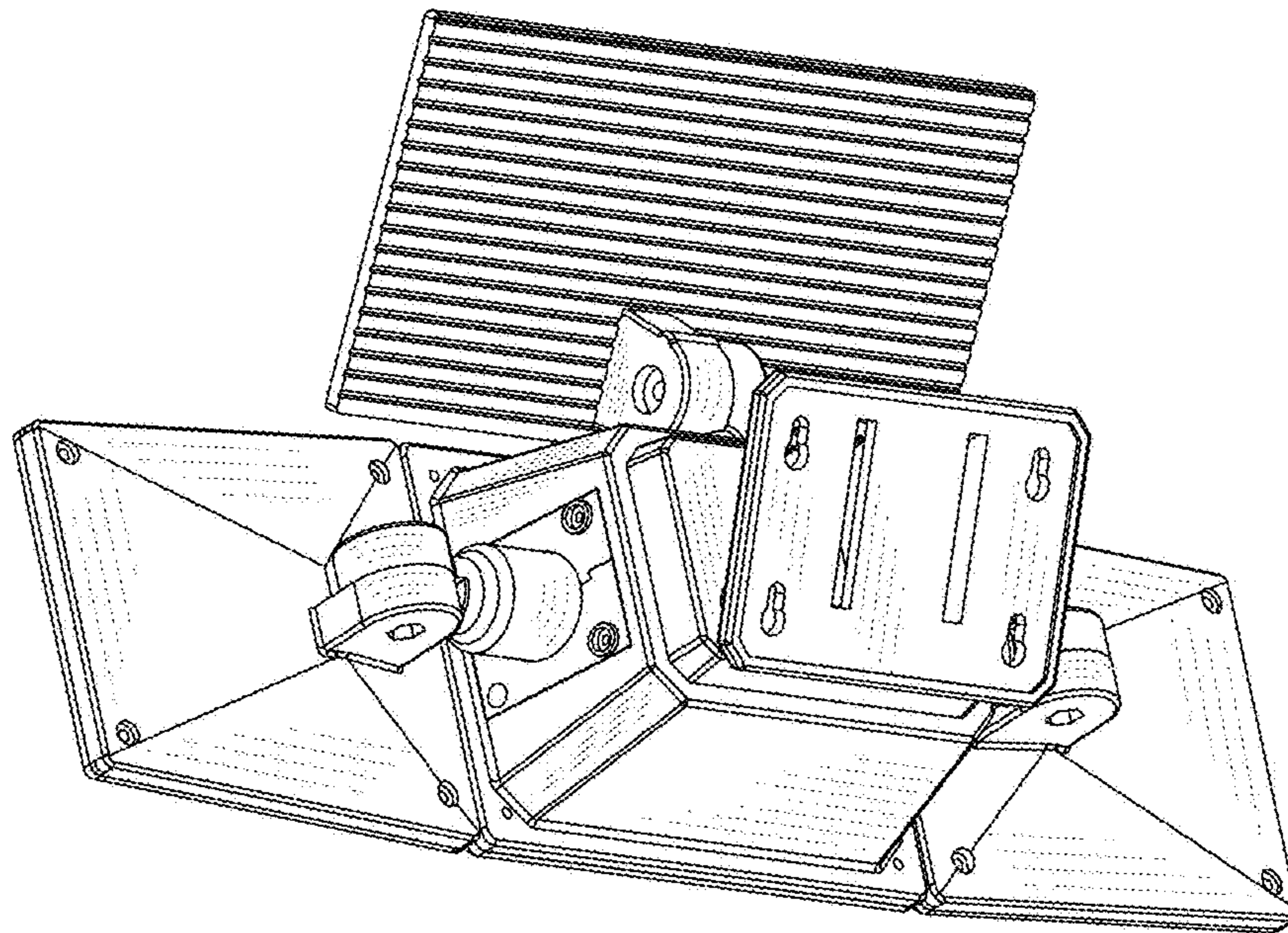


FIG. 8

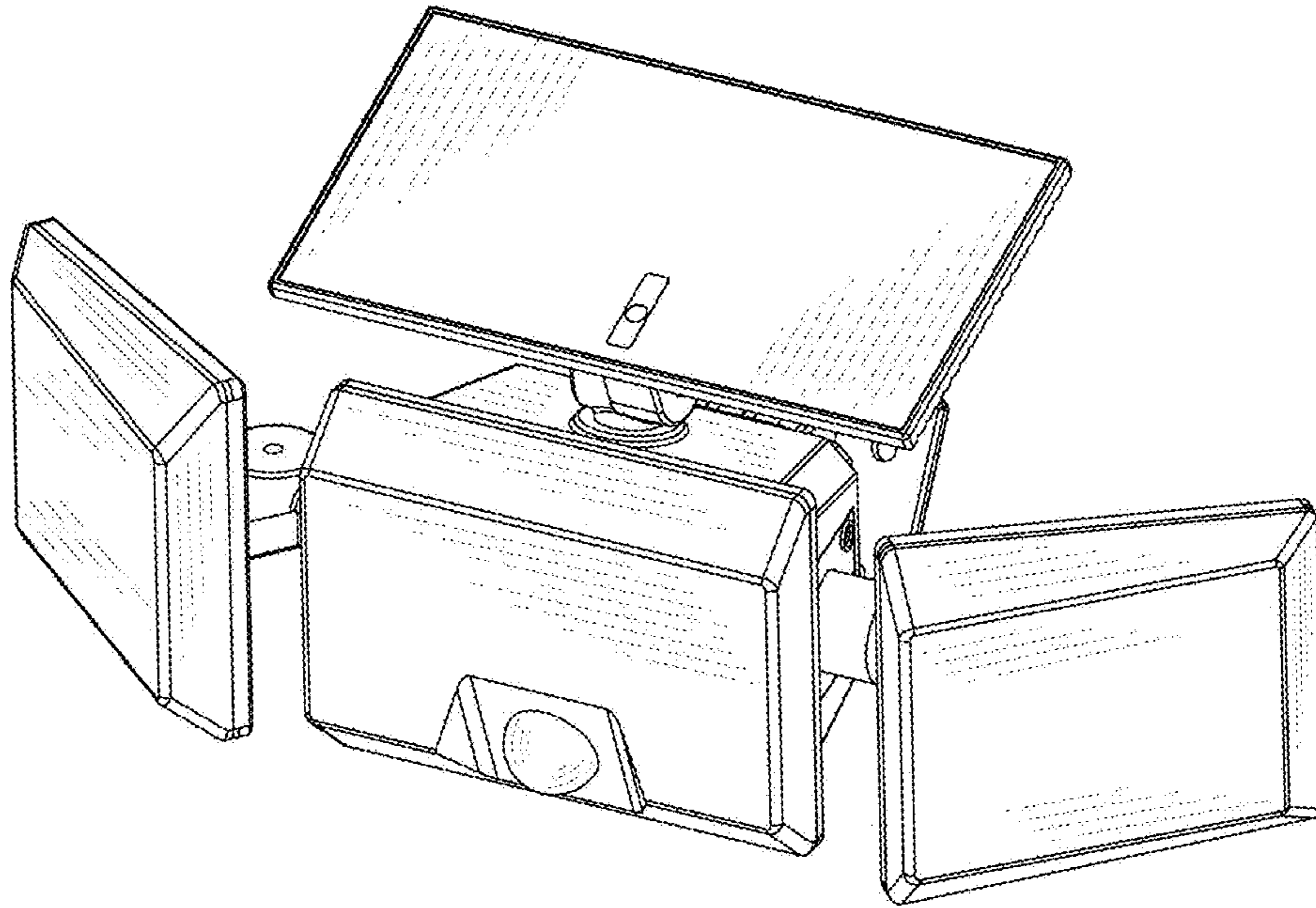


FIG. 9

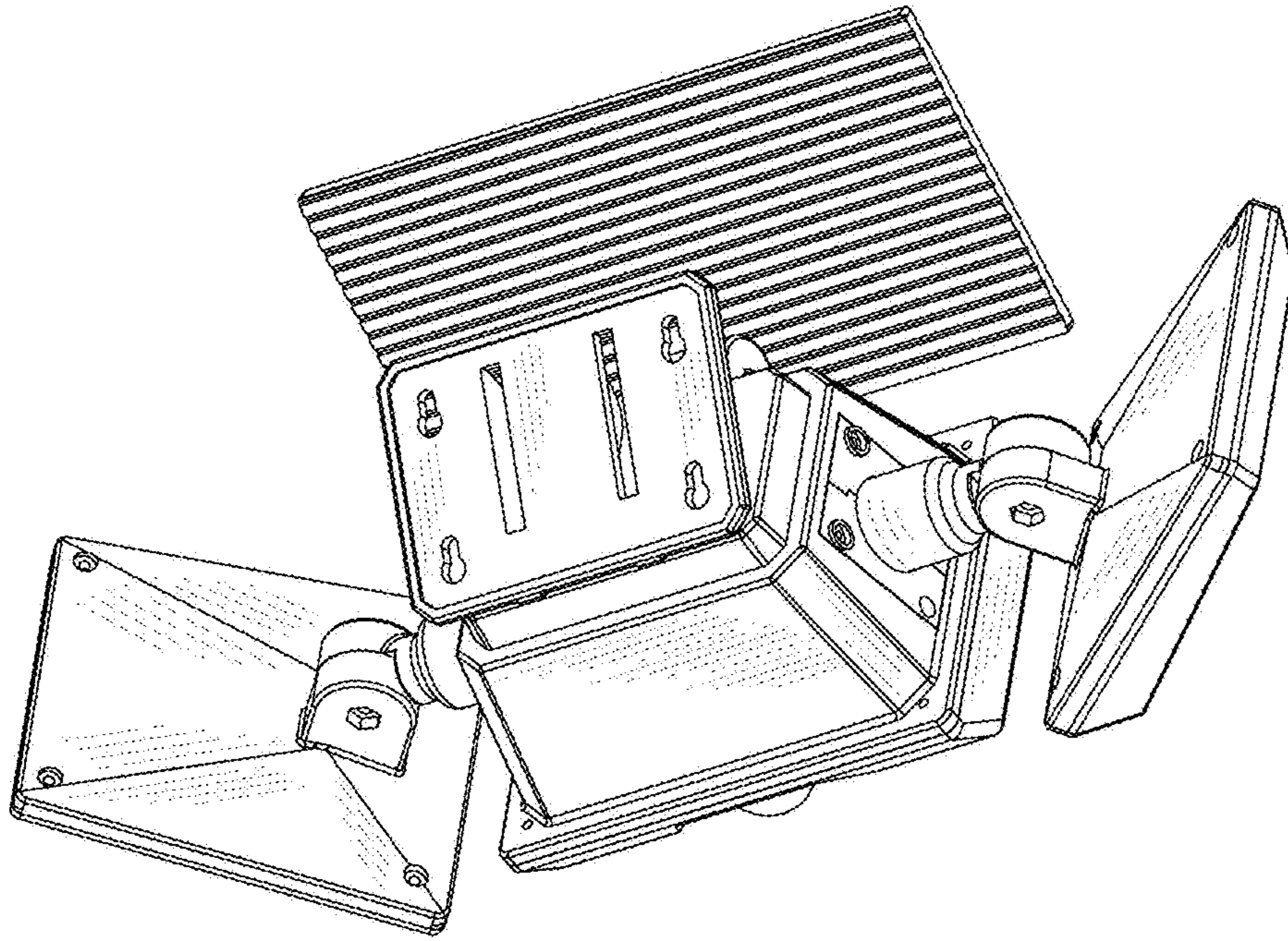


FIG. 10