



US00D956299S

(12) **United States Design Patent**
Zhu

(10) **Patent No.:** **US D956,299 S**
(45) **Date of Patent:** **** Jun. 28, 2022**

- (54) **WALL LAMP**
- (71) Applicant: **ZHEJIANG YUDA INDUSTRIAL CO., LTD.**, Zhejiang (CN)
- (72) Inventor: **Liyun Zhu**, Zhejiang (CN)
- (73) Assignee: **ZHEJIANG YUDA INDUSTRIAL CO., LTD.**, Zhejiang (CN)
- (**) Term: **15 Years**
- (21) Appl. No.: **29/736,249**
- (22) Filed: **May 28, 2020**
- (30) **Foreign Application Priority Data**
Apr. 2, 2020 (CN) 202030124195.7
- (51) **LOC (13) Cl.** **26-05**
- (52) **U.S. Cl.**
USPC **D26/63; D26/120**
- (58) **Field of Classification Search**
USPC D26/24, 51, 61, 63, 65, 67, 72, 80, 81, D26/83, 92, 100, 120; D16/203
CPC F21S 8/00; F21S 8/04; F21S 8/003; F21S 8/033; F21S 9/00; F21S 9/02; F21S 9/022; F21S 9/03; F21S 9/032; F21S 9/035; F21S 9/037; F21W 2131/10; F21W 2131/20; F21W 2131/101; F21W 2131/107; F21W 2131/402; F21W 2131/1005; F21V 21/00; F21V 21/02; F21V 21/10; F21V 21/14; F21V 21/26; F21V 21/30; F21V 14/02; F21V 17/02
See application file for complete search history.

- (56) **References Cited**
U.S. PATENT DOCUMENTS
D361,149 S * 8/1995 Wedell D26/63
D369,225 S * 4/1996 Sandell D10/106.1

5,649,761 A *	7/1997	Sandell	F21V 23/0471	362/276
D392,406 S *	3/1998	Morrow	D10/106.1	
D424,727 S *	5/2000	Greubel	D10/104.1	
D441,113 S *	4/2001	Small	D26/63	
D517,714 S *	3/2006	Monroe	D26/65	
D546,997 S *	7/2007	Monroe	D26/51	
D713,578 S *	9/2014	Chen	D26/63	
D713,579 S *	9/2014	Chen	D26/63	
D713,580 S *	9/2014	Chen	D26/63	
D713,581 S *	9/2014	Chen	D26/63	
D742,053 S *	10/2015	Sussman	D26/63	
D869,038 S *	12/2019	Recker	D26/63	
D878,656 S *	3/2020	Recker	D26/63	
D888,309 S *	6/2020	Siminoff	D26/63	
D888,310 S *	6/2020	Siminoff	D26/63	
D889,720 S *	7/2020	Zhu	D26/63	
D889,721 S *	7/2020	Tan	D26/63	
D892,379 S *	8/2020	Recker	D26/63	
D894,463 S *	8/2020	Recker	D26/63	
D896,424 S *	9/2020	Wang	D26/63	
D901,052 S *	11/2020	Lao	D26/51	

(Continued)

Primary Examiner — Clint A Samuel
(74) Attorney, Agent, or Firm — JCIP Global Inc.

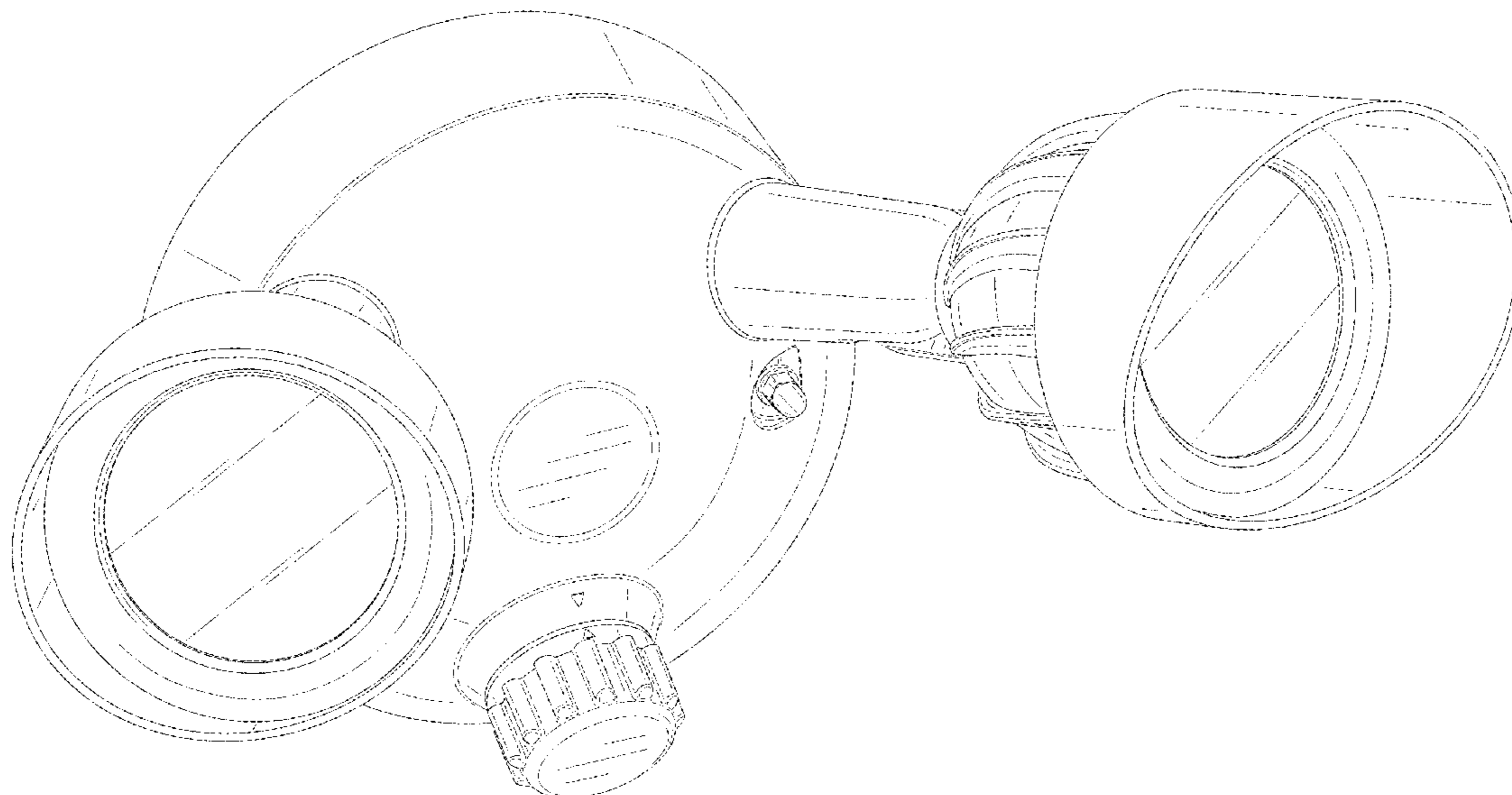
(57) **CLAIM**

The ornamental design for a wall lamp, as shown and described.

DESCRIPTION

FIG. 1 is a perspective view of a wall lamp showing my new design;
FIG. 2 is a front view thereof;
FIG. 3 is a rear view thereof;
FIG. 4 is a left side view thereof;
FIG. 5 is a right side view thereof;
FIG. 6 is a top view thereof; and,
FIG. 7 is a bottom view thereof.
The broken lines illustrate portions of the wall lamp that form no part of the claimed design.

1 Claim, 7 Drawing Sheets



(56)

References Cited

U.S. PATENT DOCUMENTS

D914,946 S	*	3/2021	Siminoff	D26/63
D928,377 S	*	8/2021	Recker	D26/63
D929,009 S	*	8/2021	Siminoff	D26/63

* cited by examiner

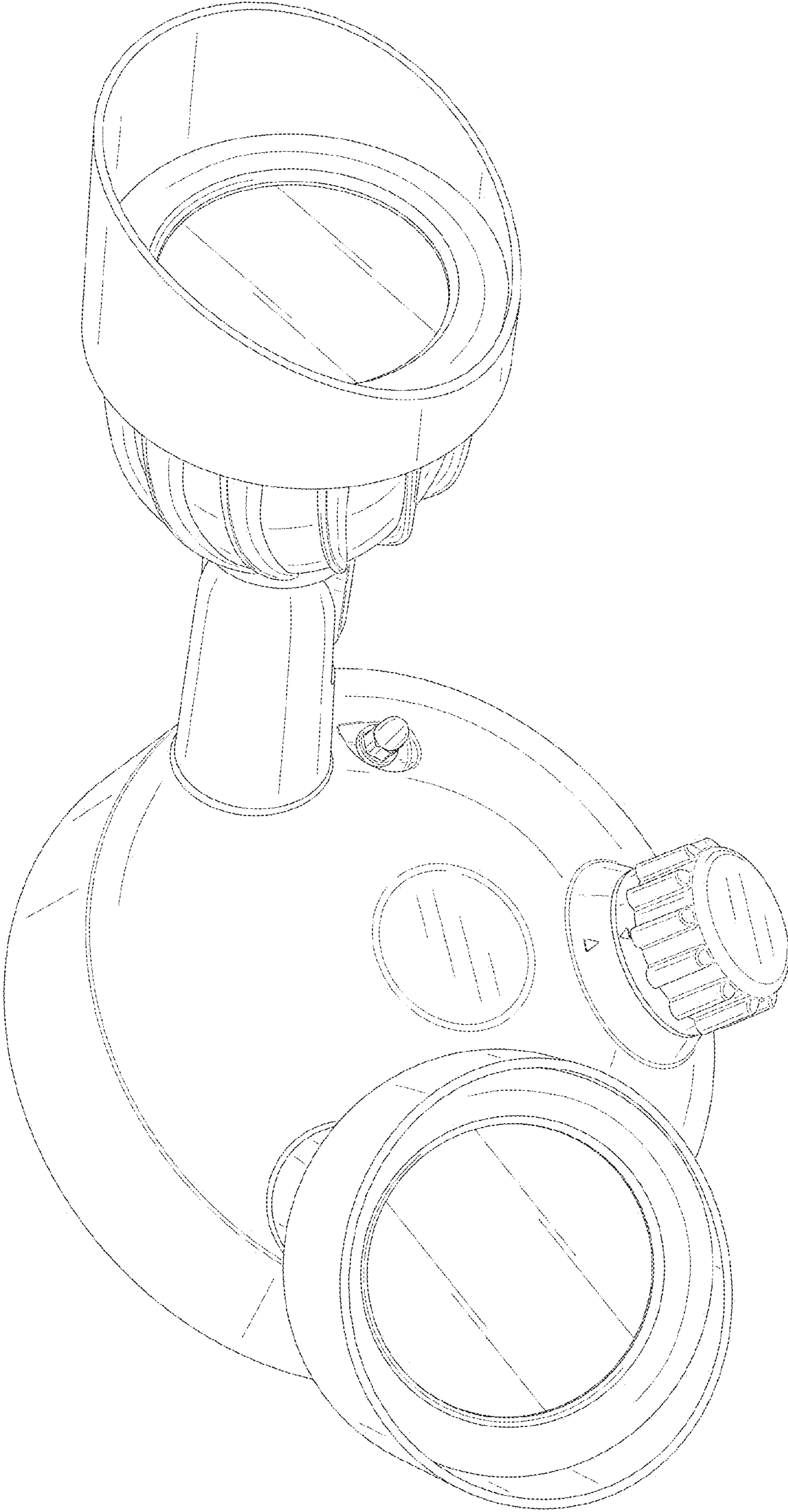


FIG. 1

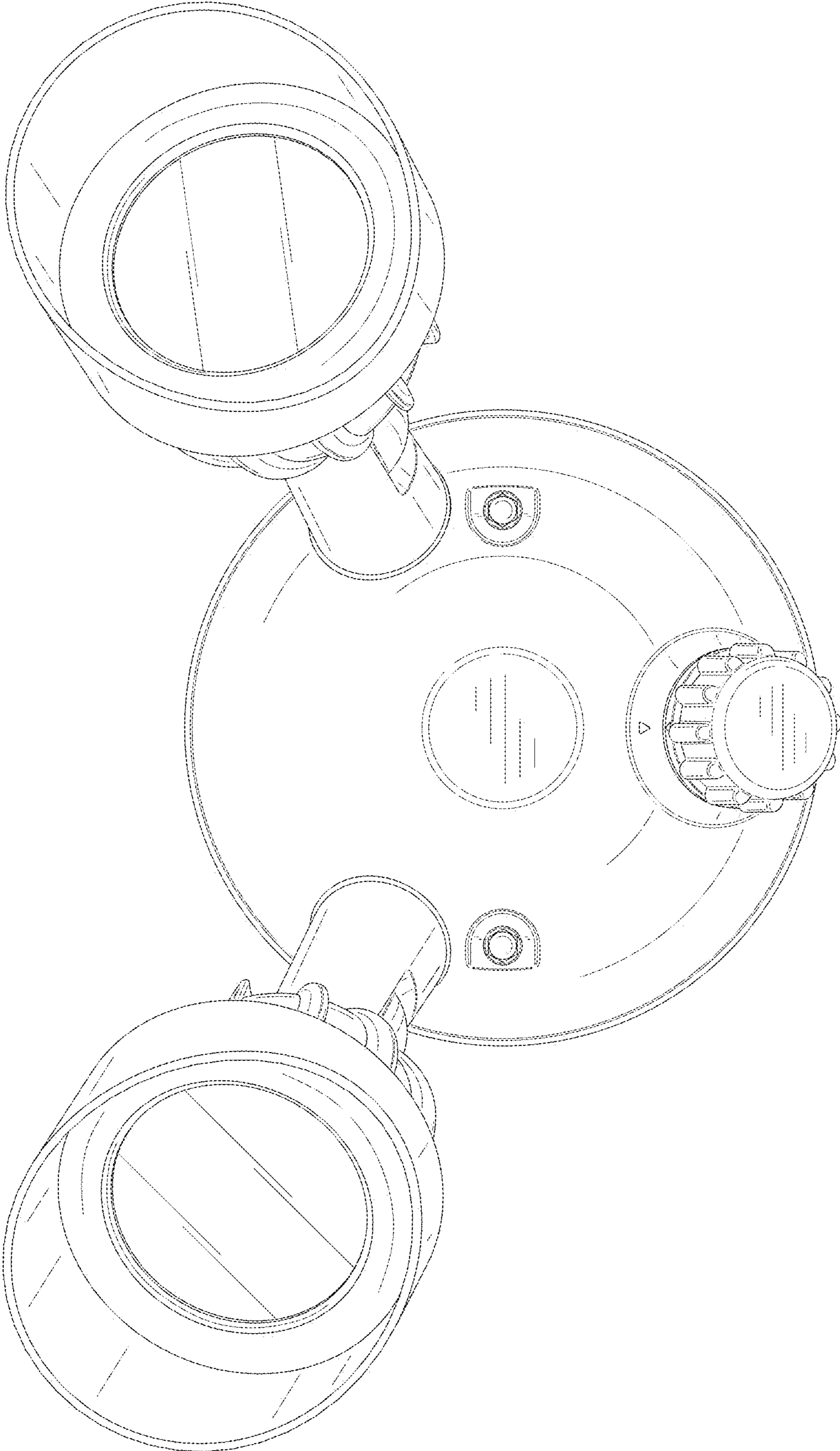


FIG. 2

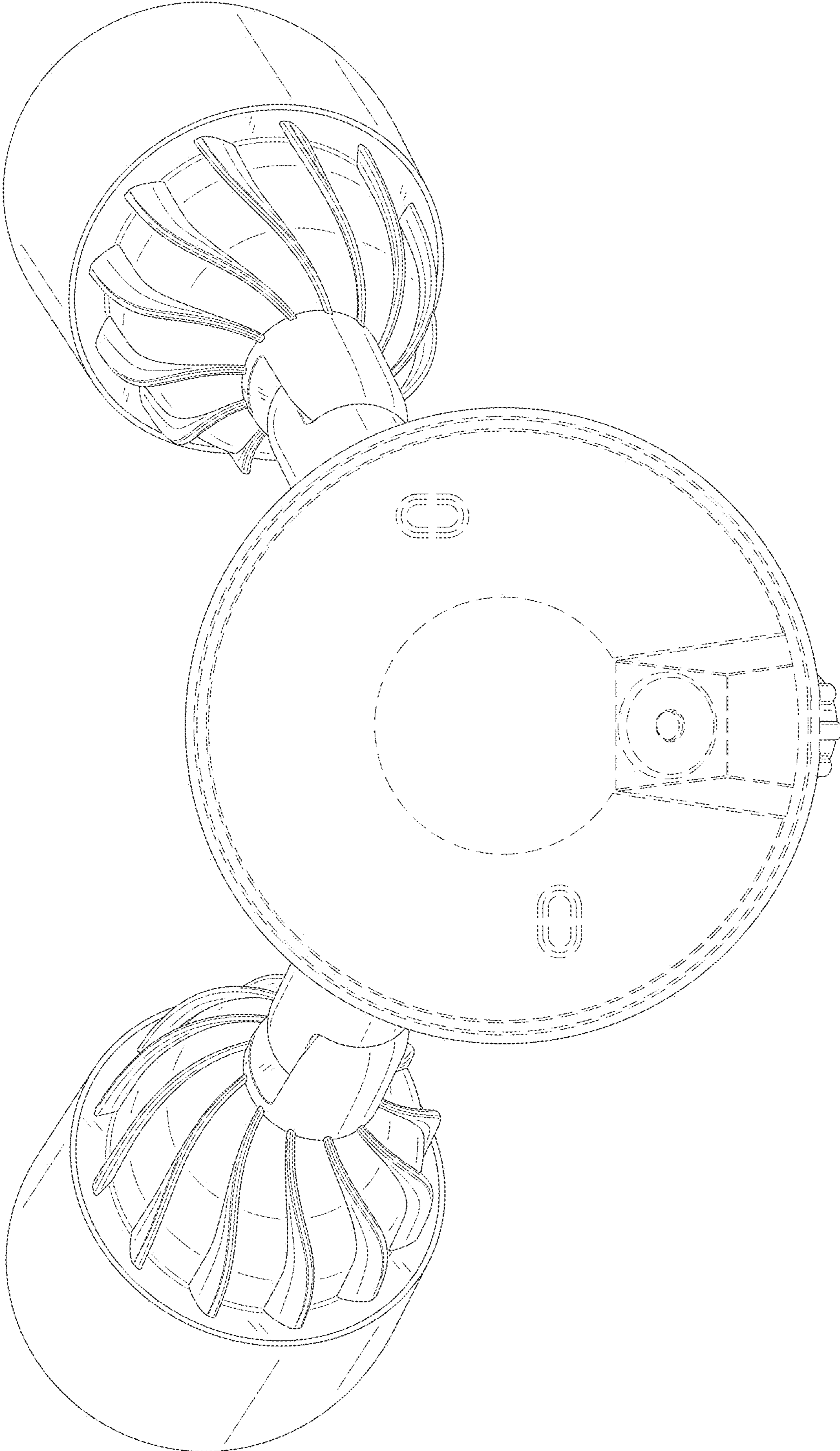


FIG. 3

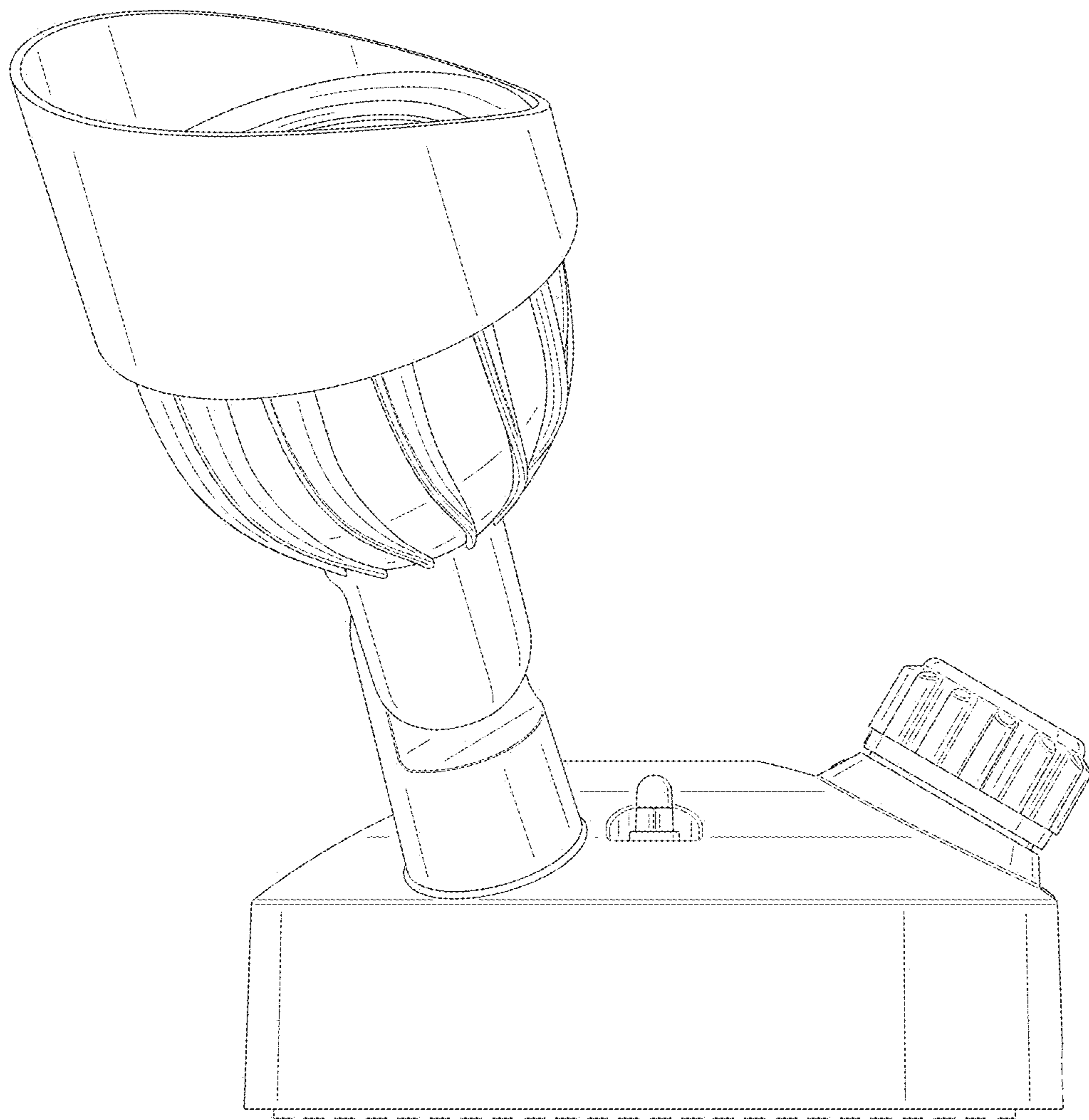


FIG. 4

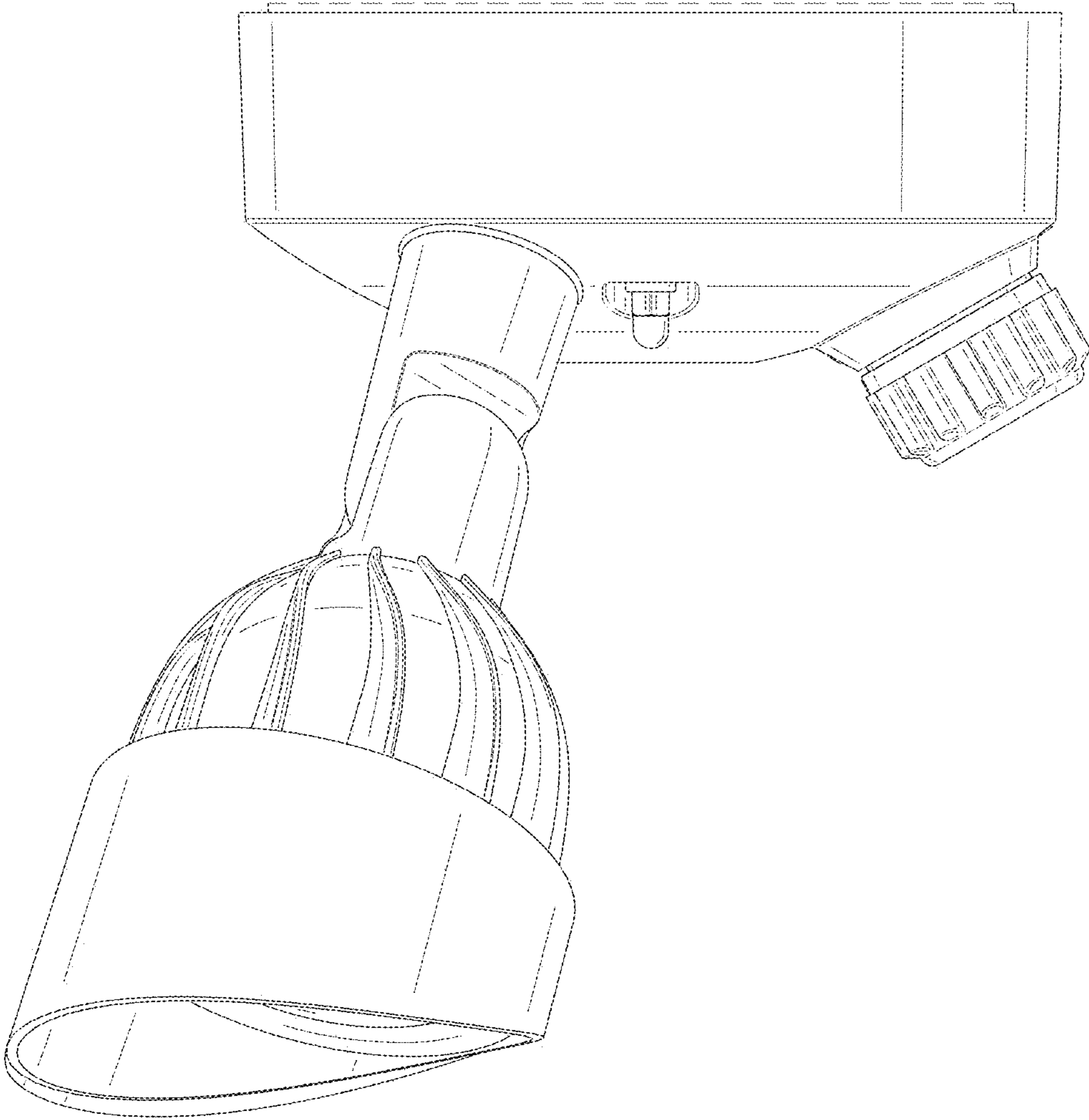


FIG. 5

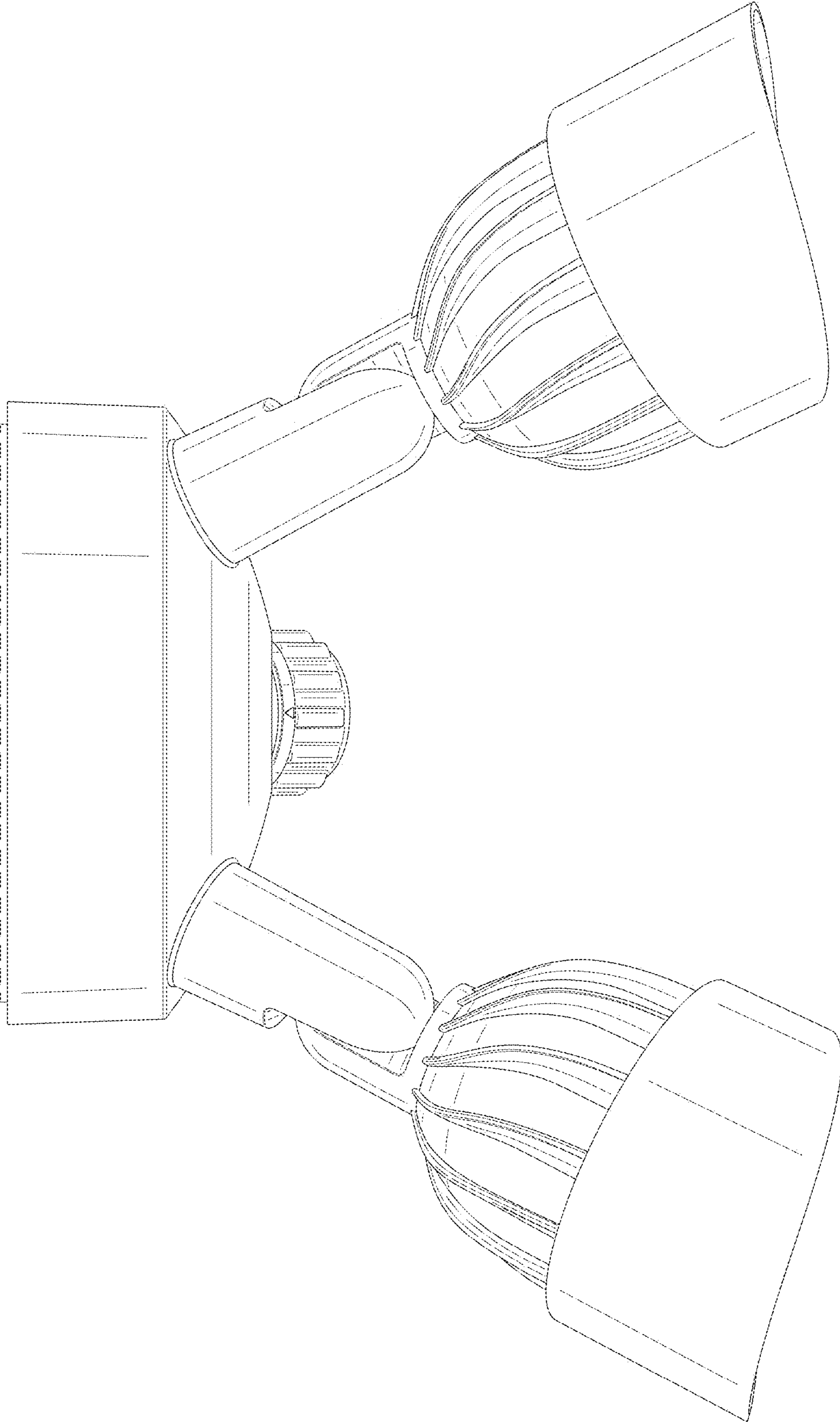


FIG. 6

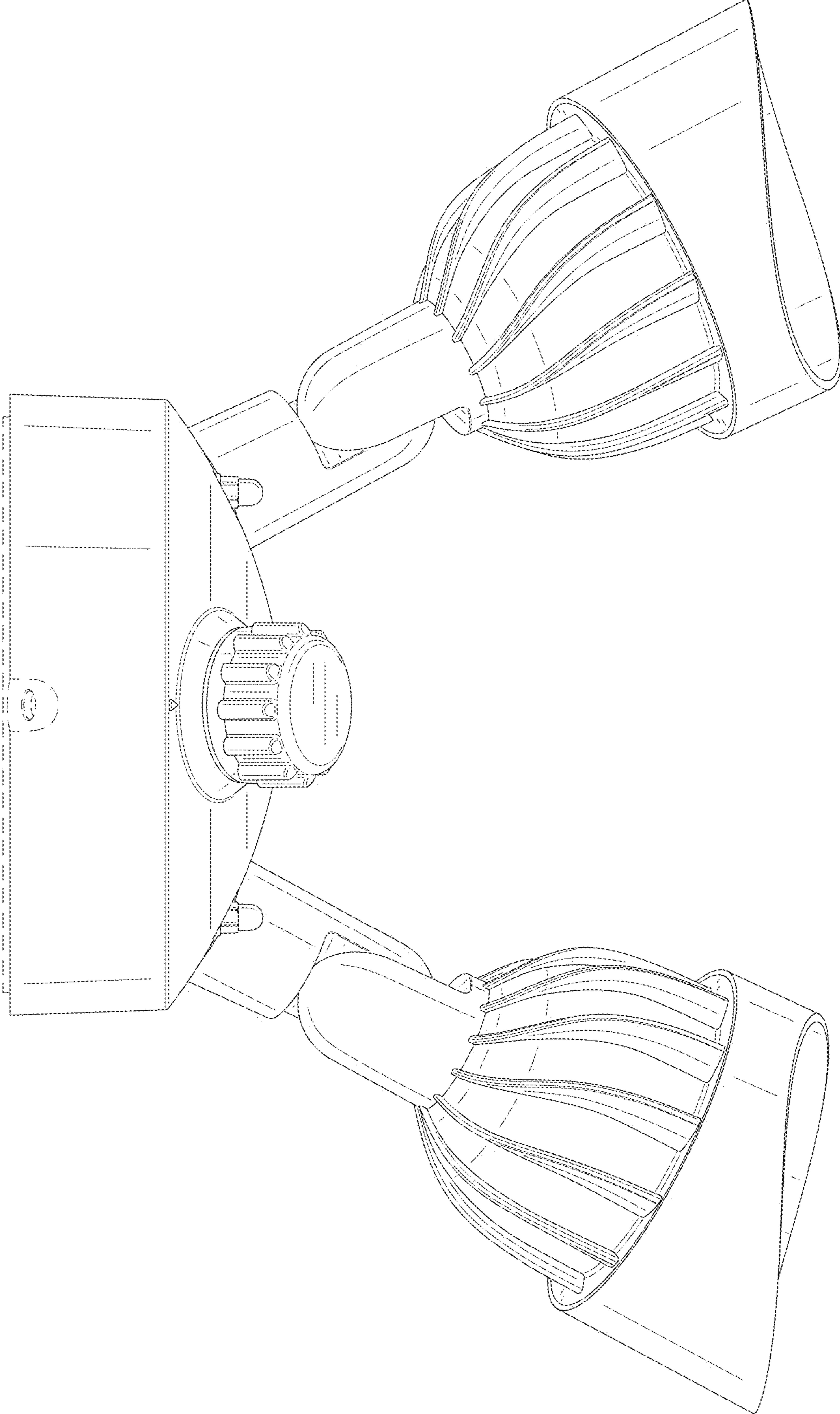


FIG. 7