



US00D956298S

(12) **United States Design Patent**
Cran et al.

(10) **Patent No.:** **US D956,298 S**

(45) **Date of Patent:** **** Jun. 28, 2022**

(54) **UV SANITIZING LAMP**

D464,454 S * 10/2002 Suzuki D26/40
D471,663 S * 3/2003 Olson D26/104
D478,681 S * 8/2003 Newcomb D26/94

(71) Applicant: **MAKE GREAT SALES LIMITED,**
Wanchai (HK)

(Continued)

(72) Inventors: **Bruce Peter Cran,** Ho Chi Minh (VN);
Kin Choi Lee, Wanchai (HK)

Primary Examiner — Clint A Samuel

(74) *Attorney, Agent, or Firm* — Onello & Mello, LLP

(73) Assignee: **MAKE GREAT SALES LIMITED,**
Hong Kong (HK)

(57) **CLAIM**

The ornamental design for a UV sanitizing lamp, as shown and described.

(**) Term: **15 Years**

(21) Appl. No.: **29/735,596**

DESCRIPTION

(22) Filed: **May 22, 2020**

(51) **LOC (13) Cl.** **26-05**

(52) **U.S. Cl.**
USPC **D26/63**

(58) **Field of Classification Search**
USPC ... D26/7, 10, 24, 26, 40, 47, 63, 93, 94, 98,
D26/104, 106, 110, 120, 123, 124, 128,
D26/135, 137; D14/172, 188, 496, 509;
D10/104.1, 106.5, 114.2, 114.5, 114.6,
D10/114.8, 119.4; D21/308, 316, 319,
D21/386, 708, 713, 782; D23/377, 385
CPC F21S 6/00; F21S 6/002; F21S 6/003; F21S
8/00; F21S 8/035; F21S 9/00; F21S 9/02;
F21S 9/022; F21V 33/0004; F21V
33/0024; F21W 2131/00; F21W 2131/30;
F21W 2131/205; F21W 2131/406
See application file for complete search history.

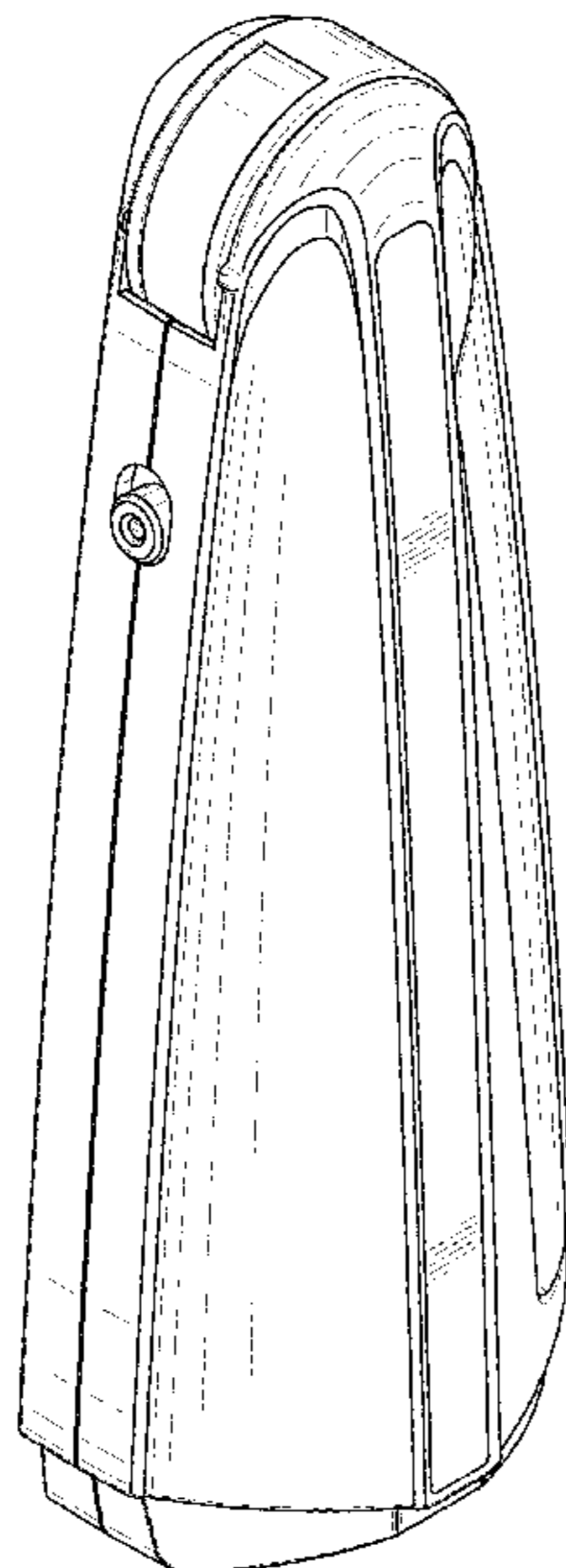
FIG. 1 is an isometric view of a UV sanitizing lamp, in accordance with the design;
FIG. 2 is right-side view of a UV sanitizing lamp of FIG. 1;
FIG. 3 is a left-side view of the UV sanitizing lamp of FIG. 1;
FIG. 4 is a front view of the UV sanitizing lamp of FIG. 1;
FIG. 5 is a rear view of the UV sanitizing lamp of FIG. 1;
FIG. 6 is a top view of the UV sanitizing lamp of FIG. 1;
FIG. 7 is a bottom view of the UV sanitizing lamp of FIG. 1;
FIG. 8 is an isometric view of the UV sanitizing lamp of FIG. 1 in an open configuration;
FIG. 9 is a right-side view of the UV sanitizing lamp of FIG. 8;
FIG. 10 is a left-side view of the UV sanitizing lamp of FIG. 8;
FIG. 11 is a front view of the UV sanitizing lamp of FIG. 8;
FIG. 12 is a rear view of the UV sanitizing lamp of FIG. 8;
FIG. 13 is a top view of the UV sanitizing lamp of FIG. 8;
and,
FIG. 14 is a bottom view of the UV sanitizing lamp of FIG. 8.
In the drawings, the broken lines illustrate features which form no part of the claimed design.

(56) **References Cited**

U.S. PATENT DOCUMENTS

D254,155 S * 2/1980 Allen D26/104
D298,573 S * 11/1988 Komamura D26/37
D409,771 S * 5/1999 Stultz D26/24
D411,322 S * 6/1999 Suzuki D26/37
D462,475 S * 9/2002 Wu D26/104

1 Claim, 10 Drawing Sheets



(56)

References Cited

U.S. PATENT DOCUMENTS

D492,806	S	*	7/2004	Hsu	D26/40
D523,973	S	*	6/2006	Brady	D26/26
D525,740	S	*	7/2006	Parker	D26/104
D546,495	S	*	7/2007	Barbeau	D26/104
D563,593	S	*	3/2008	Audrito	D26/104
D563,594	S	*	3/2008	Held	D26/110
D610,283	S	*	2/2010	Loibl	D26/40
D629,150	S	*	12/2010	Douloubakas	D26/106
D639,492	S	*	6/2011	Lee	D26/93
D800,373	S	*	10/2017	Soni	D26/118
D815,335	S	*	4/2018	Lin	D26/110
D849,295	S	*	5/2019	Sun	D26/40
D858,835	S	*	9/2019	Xiao	D26/51
D883,558	S	*	5/2020	Zhao	D26/106
D884,955	S	*	5/2020	Yi	D26/104
D886,348	S	*	6/2020	Liu	D26/63
D890,980	S	*	7/2020	Toikka	D26/93
D890,981	S	*	7/2020	Toikka	D26/93
D907,837	S	*	1/2021	Tang	D26/107
D923,236	S	*	6/2021	Chen	D26/93

* cited by examiner

FIG. 1

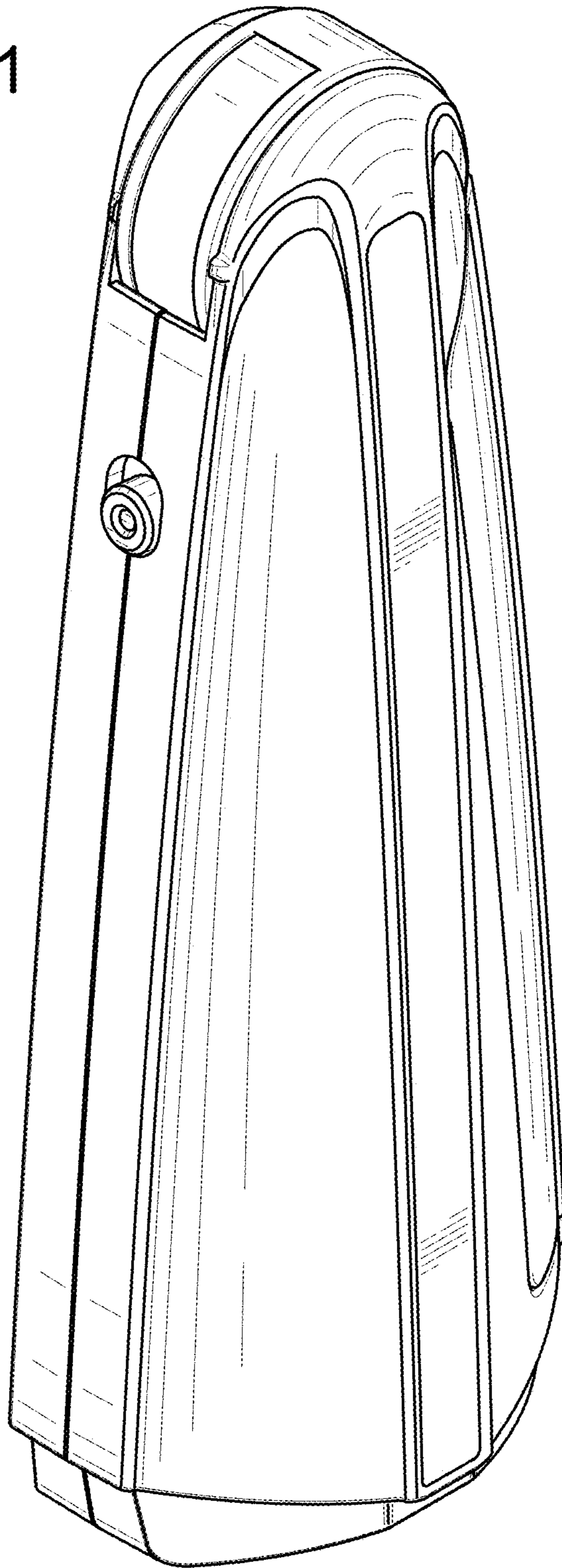


FIG. 2

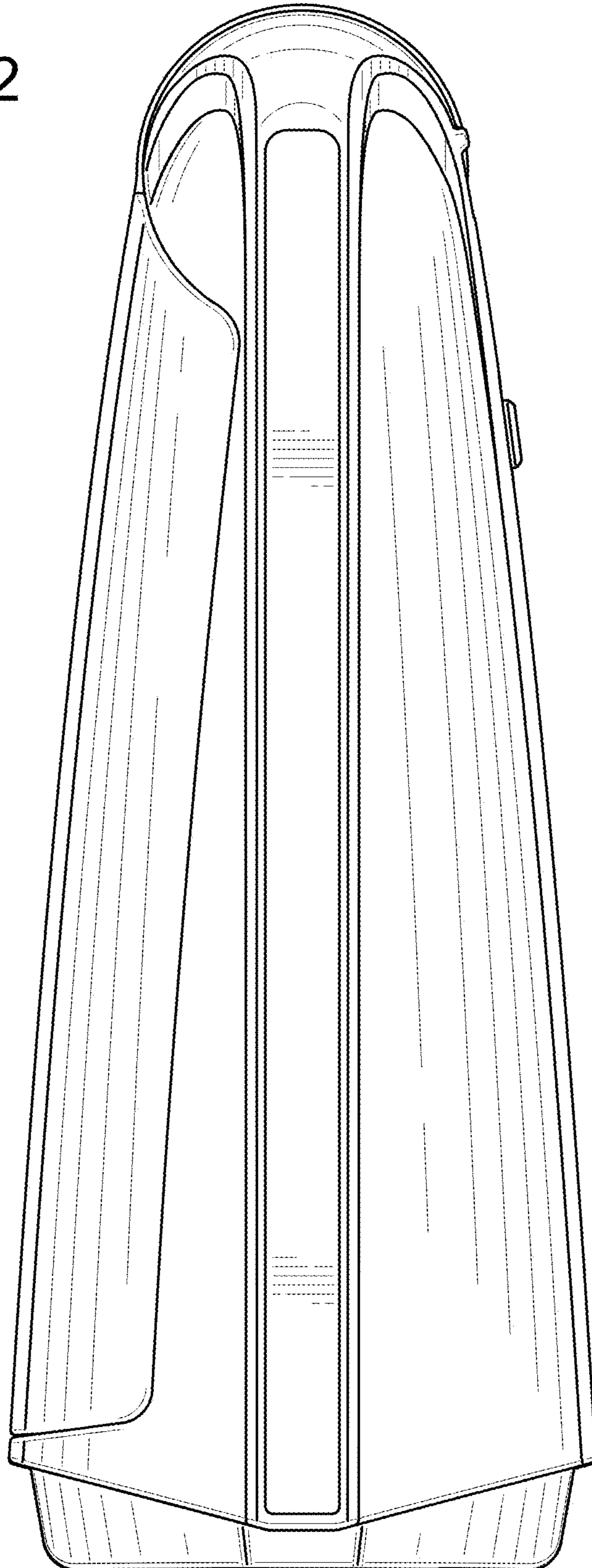
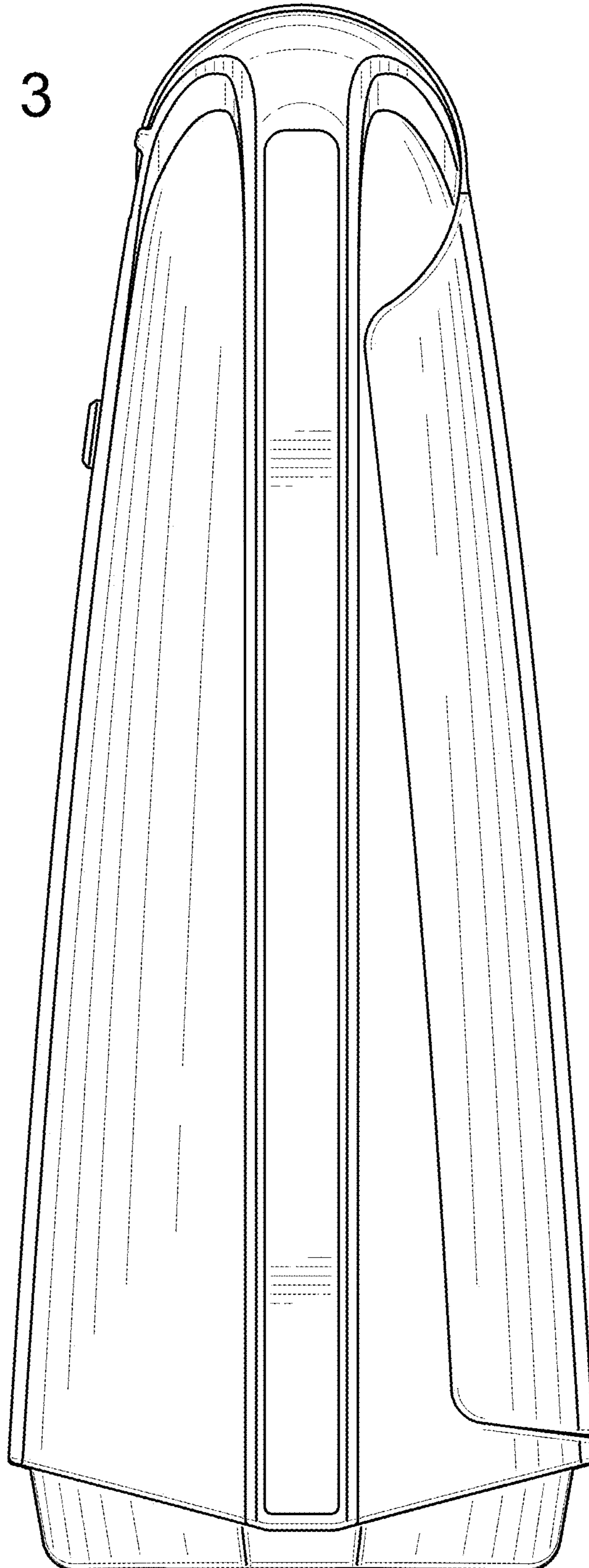


FIG. 3



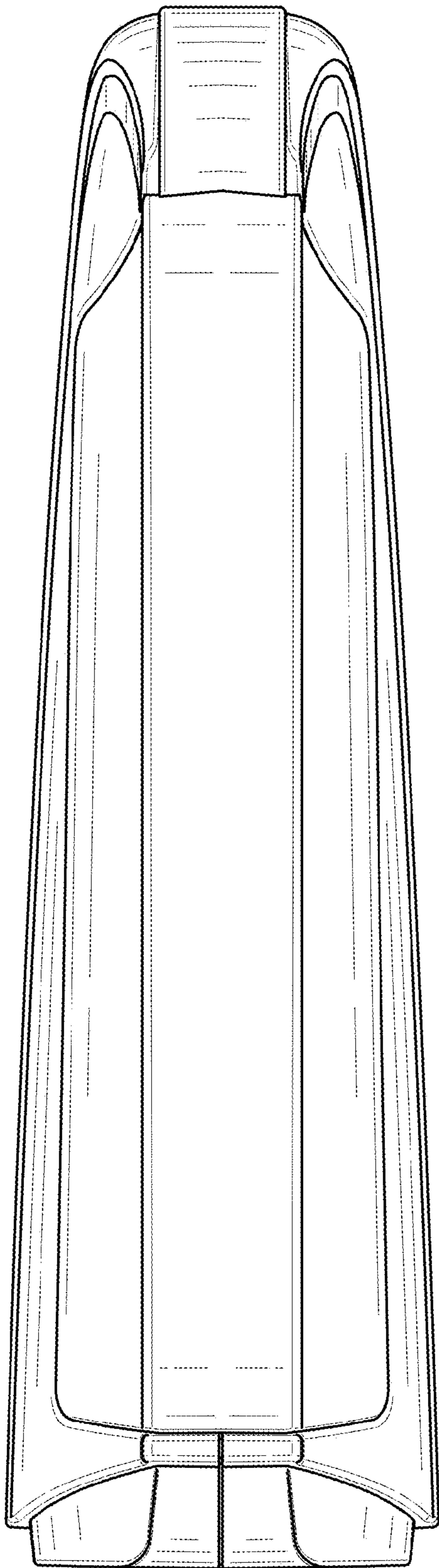


FIG. 4

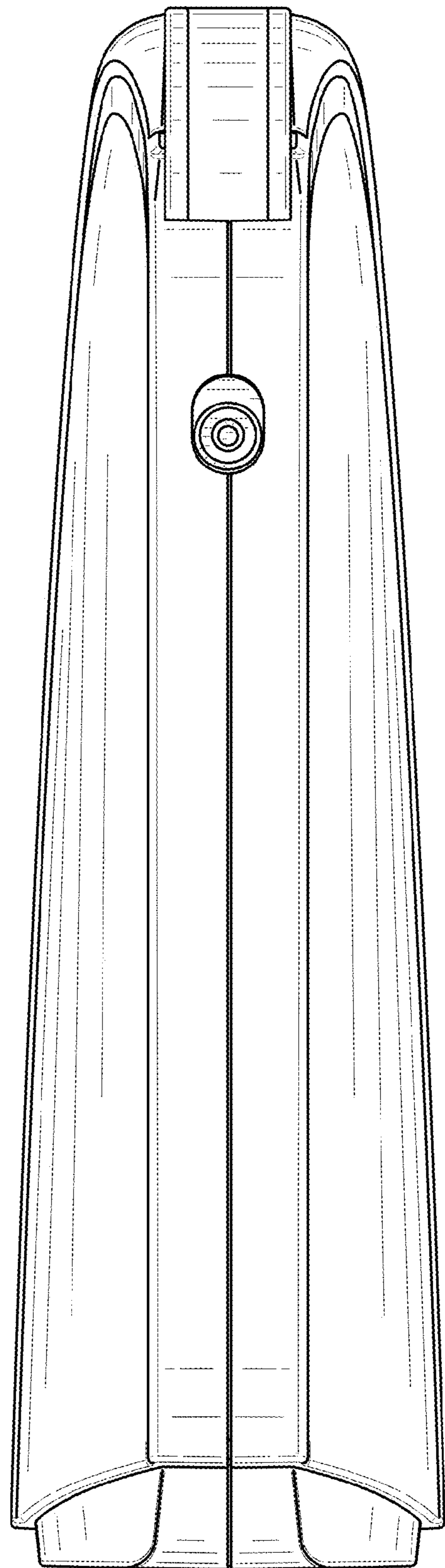


FIG. 5

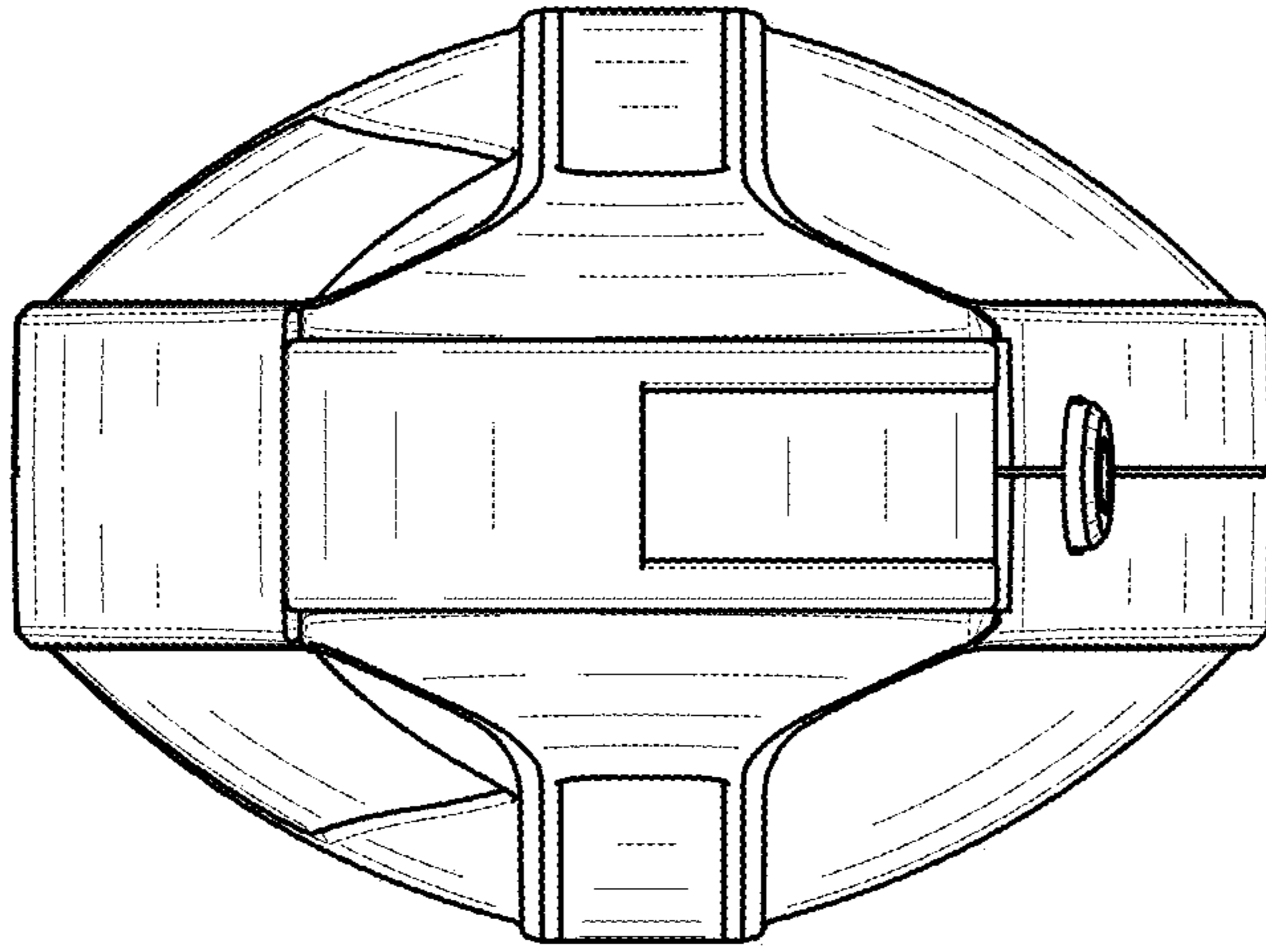


FIG. 6

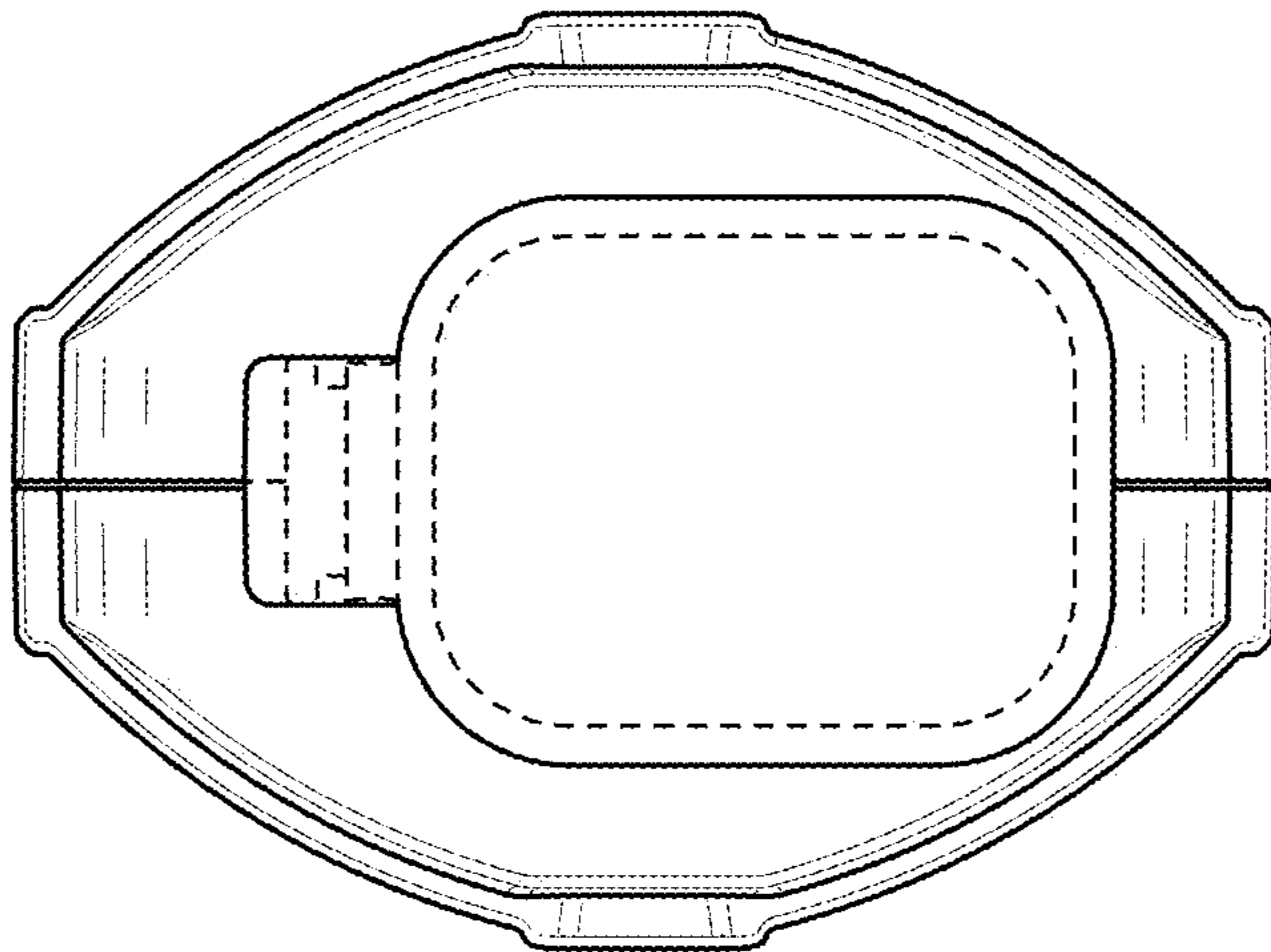
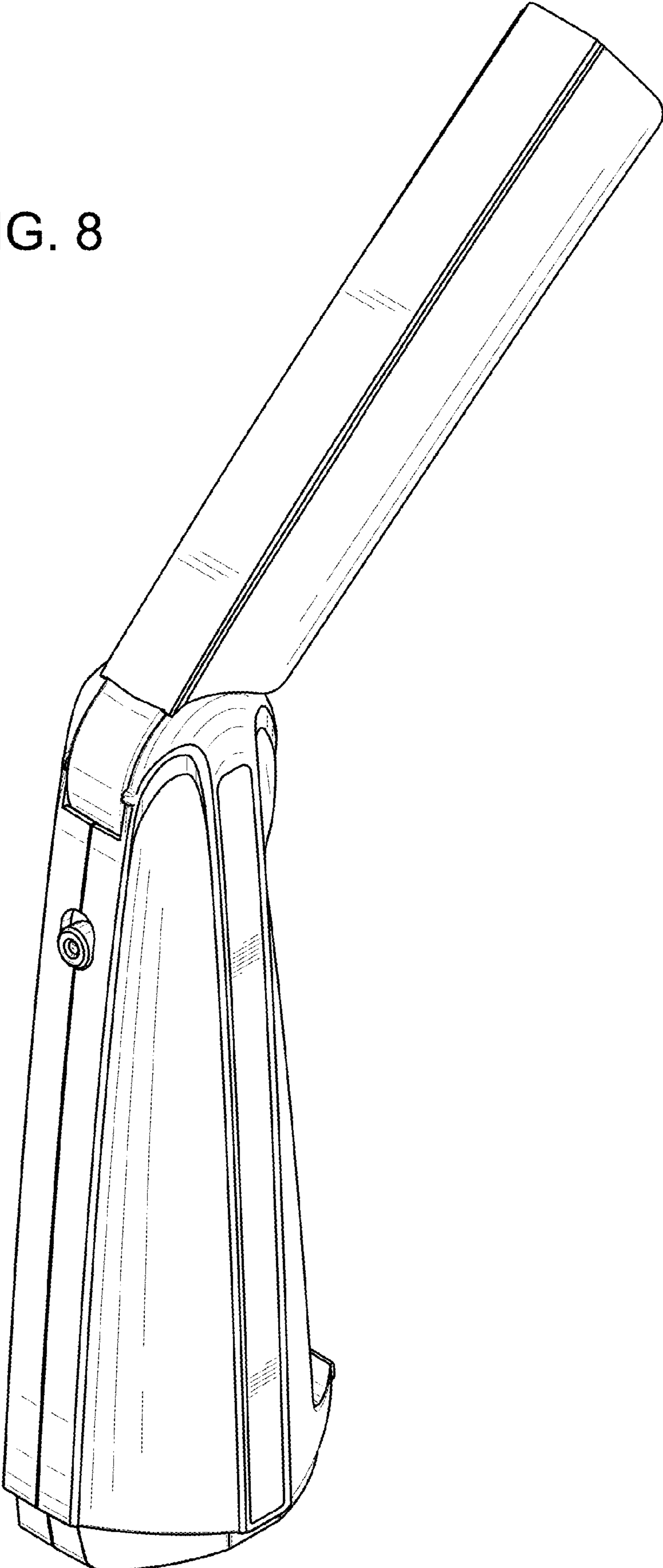


FIG. 7

FIG. 8



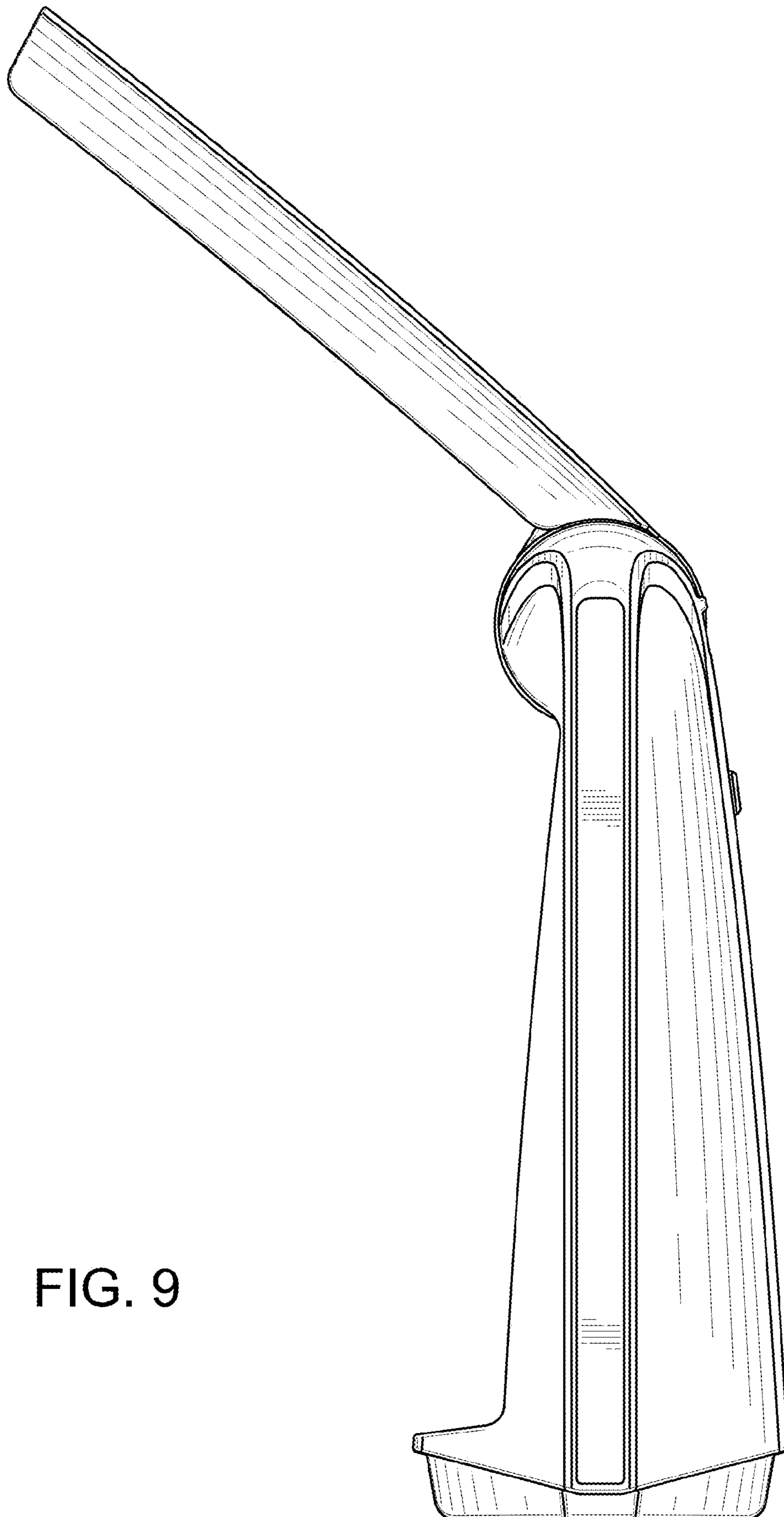
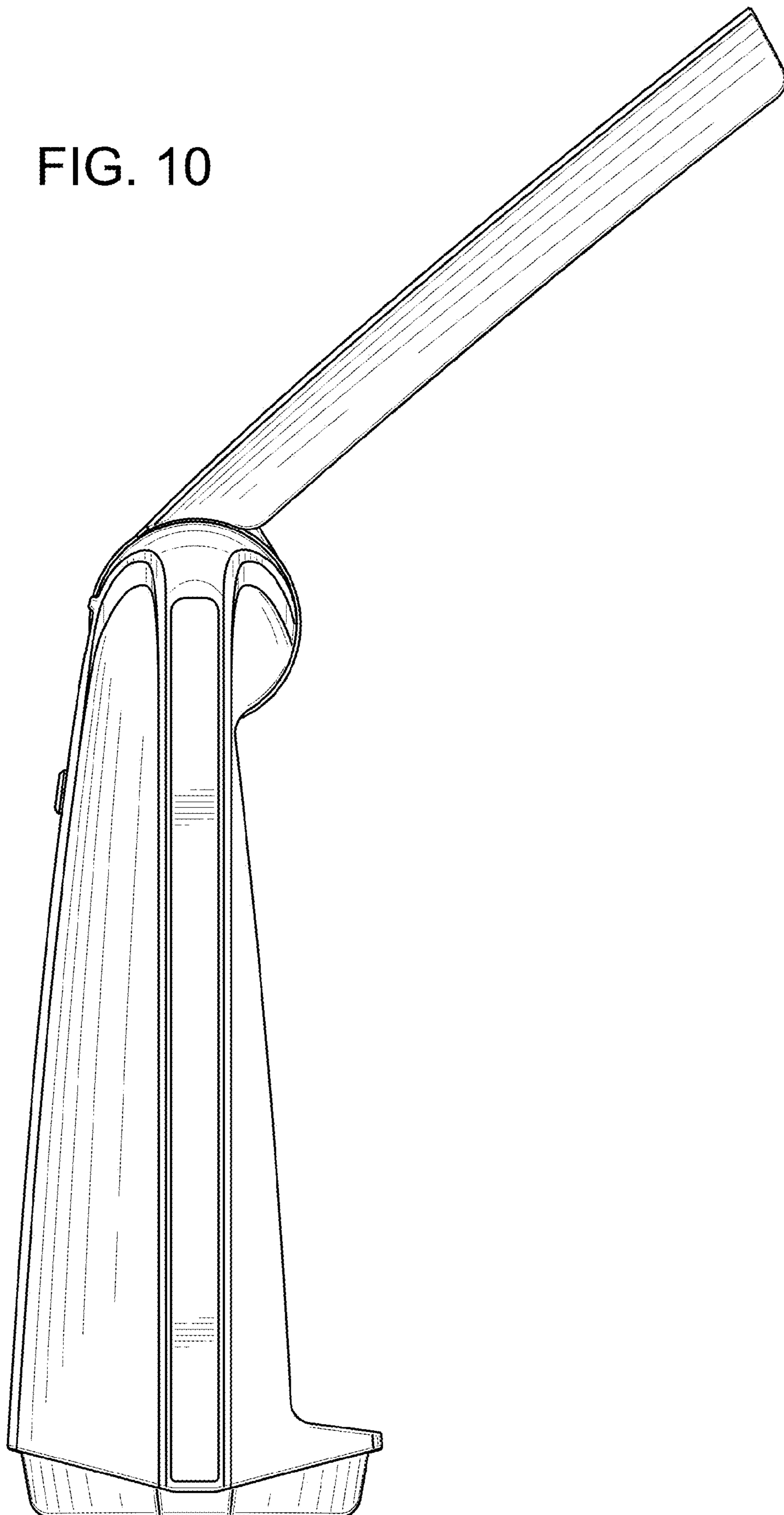


FIG. 9

FIG. 10



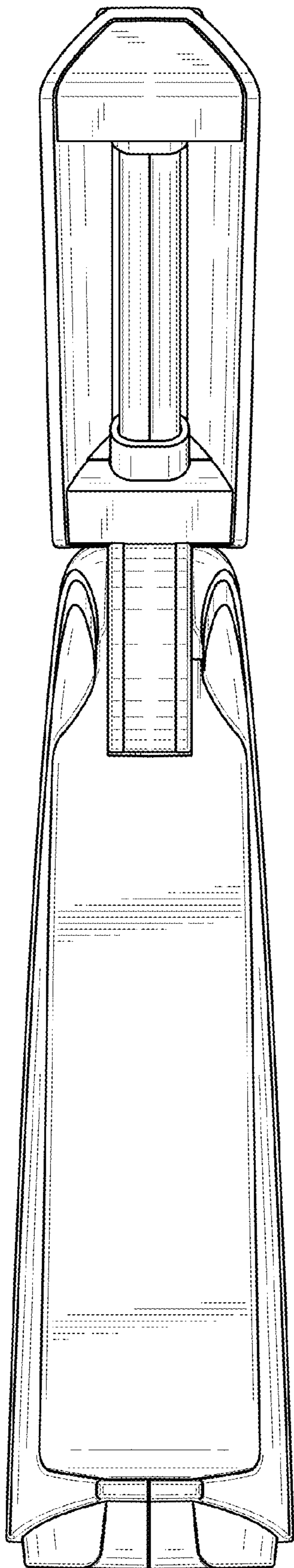


FIG. 11

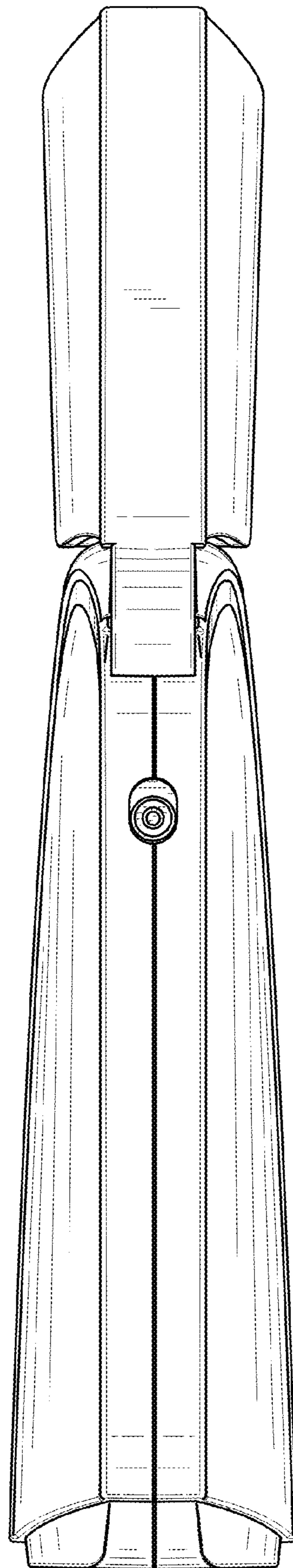


FIG. 12

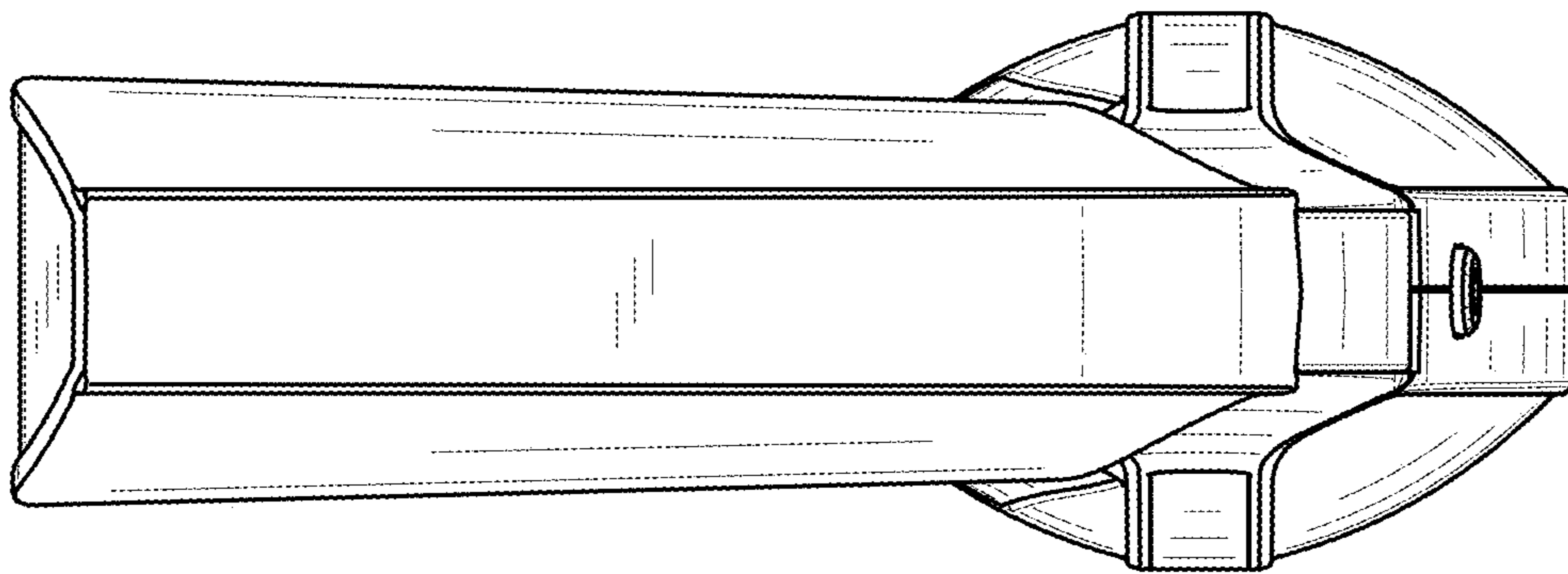


FIG. 13

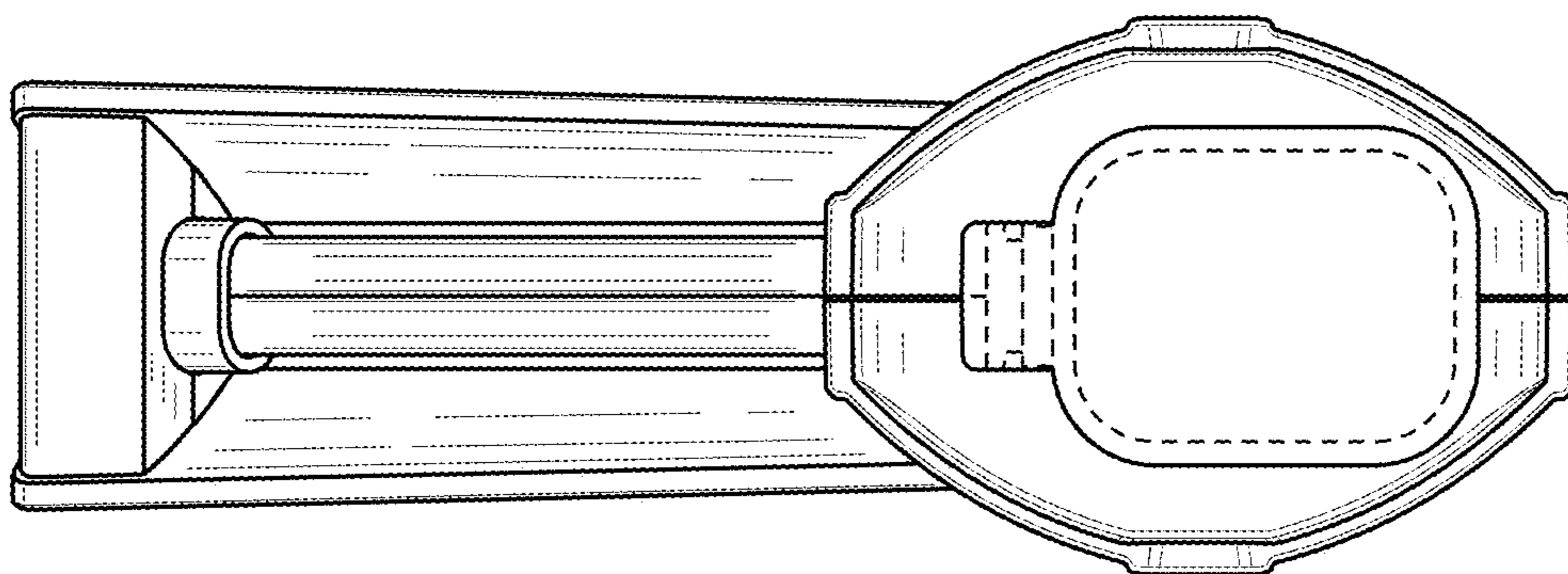


FIG. 14