



US00D956297S

(12) **United States Design Patent**
Cao

(10) **Patent No.:** **US D956,297 S**
(45) **Date of Patent:** **** Jun. 28, 2022**

(54) **LIGHT**
(71) Applicant: **Zejun Cao**, Shenzhen (CN)
(72) Inventor: **Zejun Cao**, Shenzhen (CN)
(**) Term: **15 Years**
(21) Appl. No.: **29/769,783**
(22) Filed: **Feb. 8, 2021**
(51) **LOC (13) Cl.** **26-05**
(52) **U.S. Cl.**
USPC **D26/61; D26/24**
(58) **Field of Classification Search**
USPC D26/24, 25, 42, 43, 61, 88, 107, 113,
D26/118, 119; D13/133
CPC F21S 4/00; F21S 4/10; F21S 4/15; F21S
4/20; F21S 4/22; F21S 4/24; F21S 4/26;
F21S 8/00; F21S 8/06; F21S 8/063; F21S
2/00; F21S 2/005; F21V 21/00; F21V
21/02; F21V 21/008; F21V 19/00; F21V
19/008; F21V 15/00; F21V 15/01; F21Y
2103/00
See application file for complete search history.

(56) **References Cited**
U.S. PATENT DOCUMENTS
D623,321 S * 9/2010 Levine D26/25
8,403,525 B2 * 3/2013 Prosey F21S 9/02
362/234
8,425,075 B1 * 4/2013 Falat F21S 4/22
362/145
D701,342 S * 3/2014 Novak D26/75
D826,461 S * 8/2018 Sonneman D26/90
D829,960 S * 10/2018 Sonneman D26/90
D860,510 S * 9/2019 Greenberg D26/91
D866,045 S * 11/2019 Anastassiades D26/88
D866,047 S * 11/2019 Anastassiades D26/88
D866,844 S * 11/2019 Anastassiades D26/88
D869,695 S * 12/2019 Deng D26/25

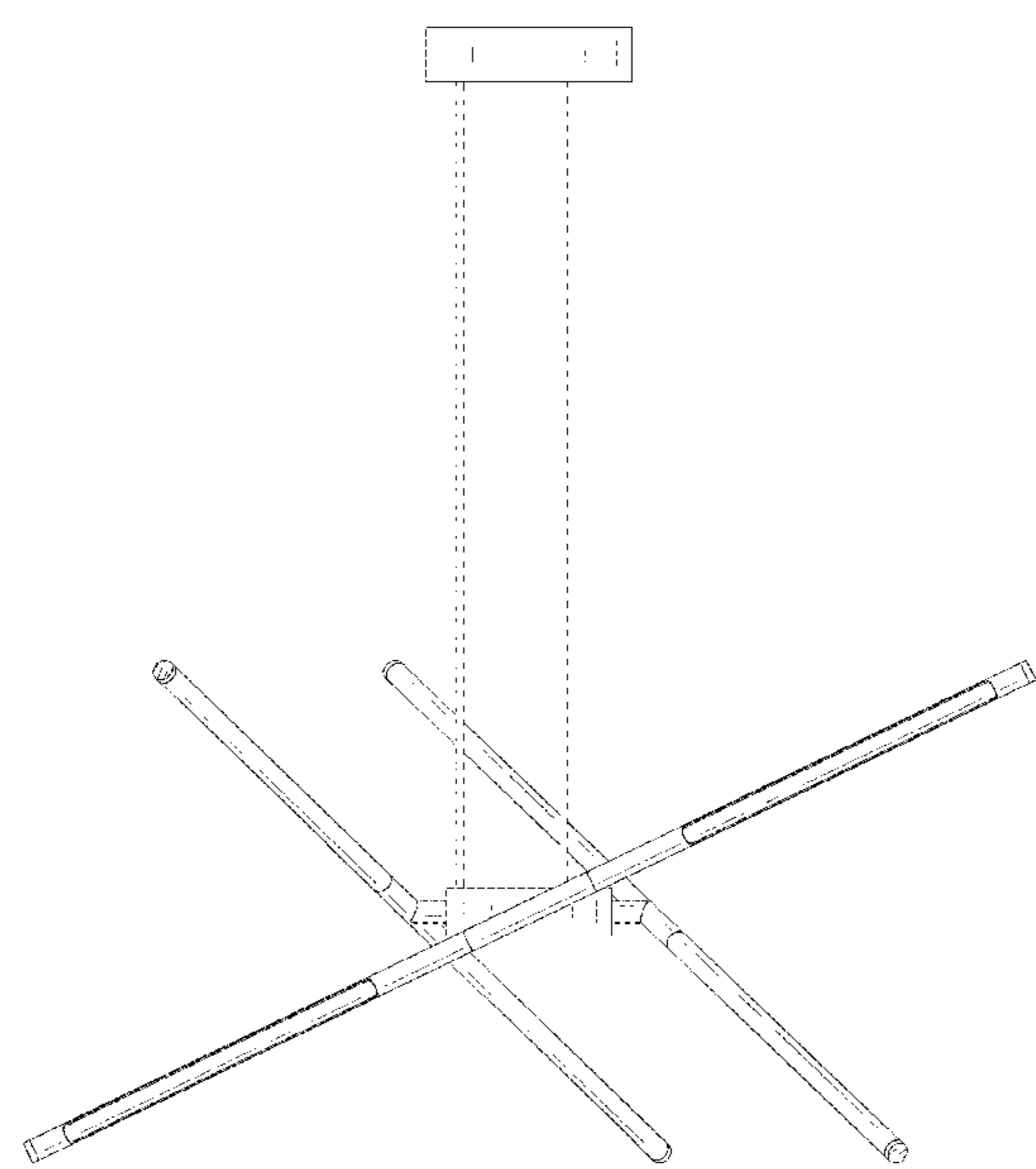
D890,394 S * 7/2020 Cameron D26/35
D905,322 S 12/2020 Yu
D905,896 S * 12/2020 Anastassiades D26/90
D906,574 S 12/2020 Jiang
D907,275 S 1/2021 Chen
D907,276 S 1/2021 Jiang
D907,277 S 1/2021 Jiang
D908,274 S 1/2021 Wang
D908,945 S 1/2021 Zheng
D909,657 S 2/2021 Jiang
D909,658 S 2/2021 Jiang
D909,660 S 2/2021 Ji
D914,268 S * 3/2021 Anastassiades D26/88
D917,760 S * 4/2021 Lissoni D26/72
(Continued)

Primary Examiner — Clint A Samuel
(74) *Attorney, Agent, or Firm* — Rumit Ranjit Kanakia

(57) **CLAIM**
The ornamental design for a light, as shown and described.

DESCRIPTION
FIG. 1 is a front elevational view of a light showing my new design;
FIG. 2 is a rear elevational view thereof; and
FIG. 3 is a left elevational view thereof;
FIG. 4 is a right side view thereof;
FIG. 5 is a top side view thereof;
FIG. 6 is a bottom plan view thereof;
FIG. 7 is a perspective view of a light showing my new design;
FIG. 8 is a front elevational view of a light showing the three tubes of the light are in a vertical parallel position;
FIG. 9 is a perspective view of a light showing the three tubes of the light are in a vertical parallel position; and,
FIG. 10 is a partial enlarged view of FIG. 7.
The broken lines in the figures are for the purposes of illustrating portions of the light, which form no part of the claimed design.

1 Claim, 10 Drawing Sheets



(56)

References Cited

U.S. PATENT DOCUMENTS

D917,770 S * 4/2021 Yuan D26/90
D923,222 S * 6/2021 Le D26/42
D925,107 S * 7/2021 Yuan D26/118
D925,108 S * 7/2021 Yuan D26/118
11,092,293 B2 * 8/2021 Moioli F21S 2/005
11,162,654 * 11/2021 Walsh F21S 4/20
2002/0085378 A1 * 7/2002 Lee F21S 4/20
362/227
2017/0292661 A1 * 10/2017 Moioli F21V 15/01
2020/0263859 A1 * 8/2020 Kinsley F21V 23/06
2021/0164626 A1 * 6/2021 Yang F21V 23/06

* cited by examiner

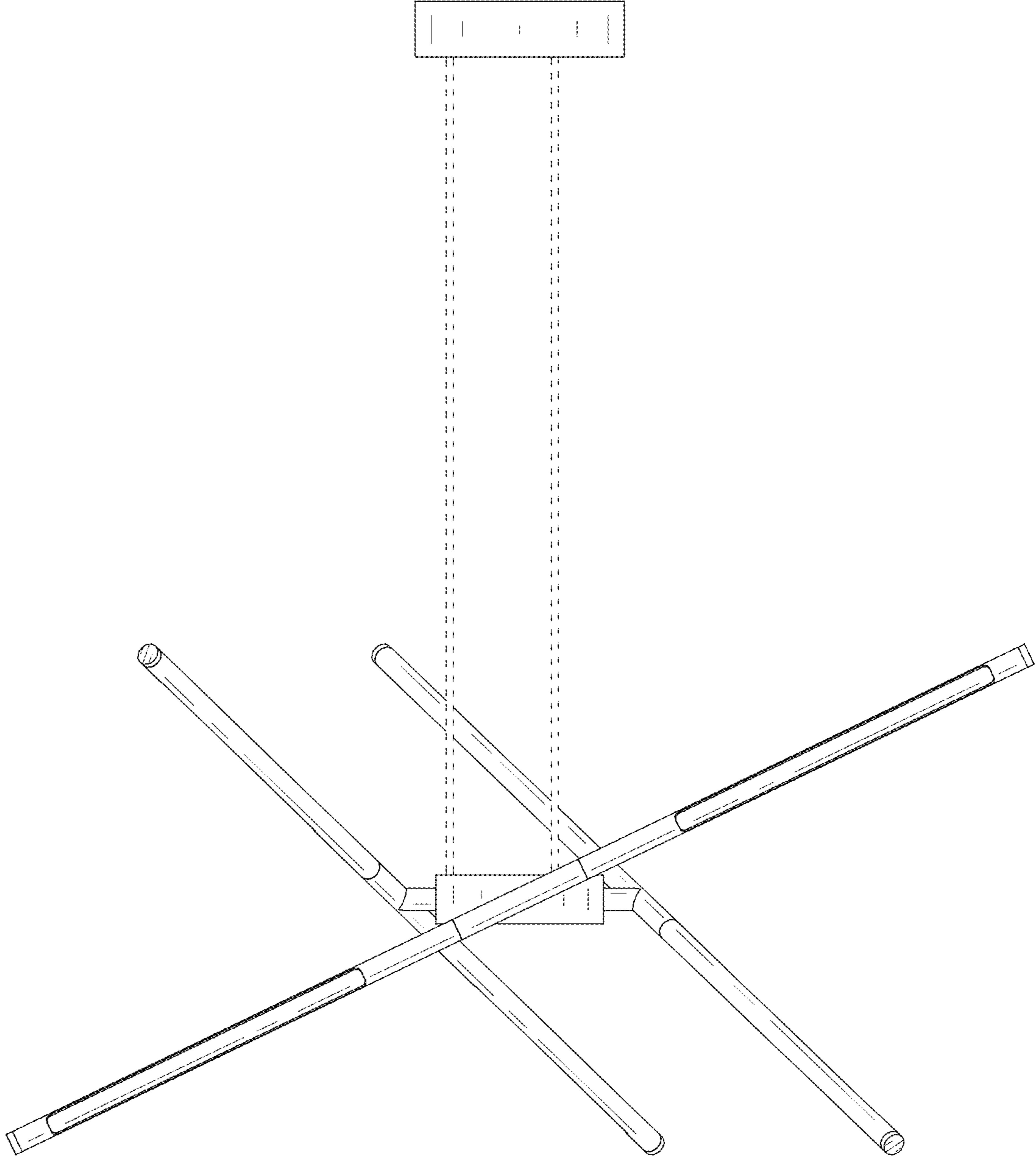


FIG. 1

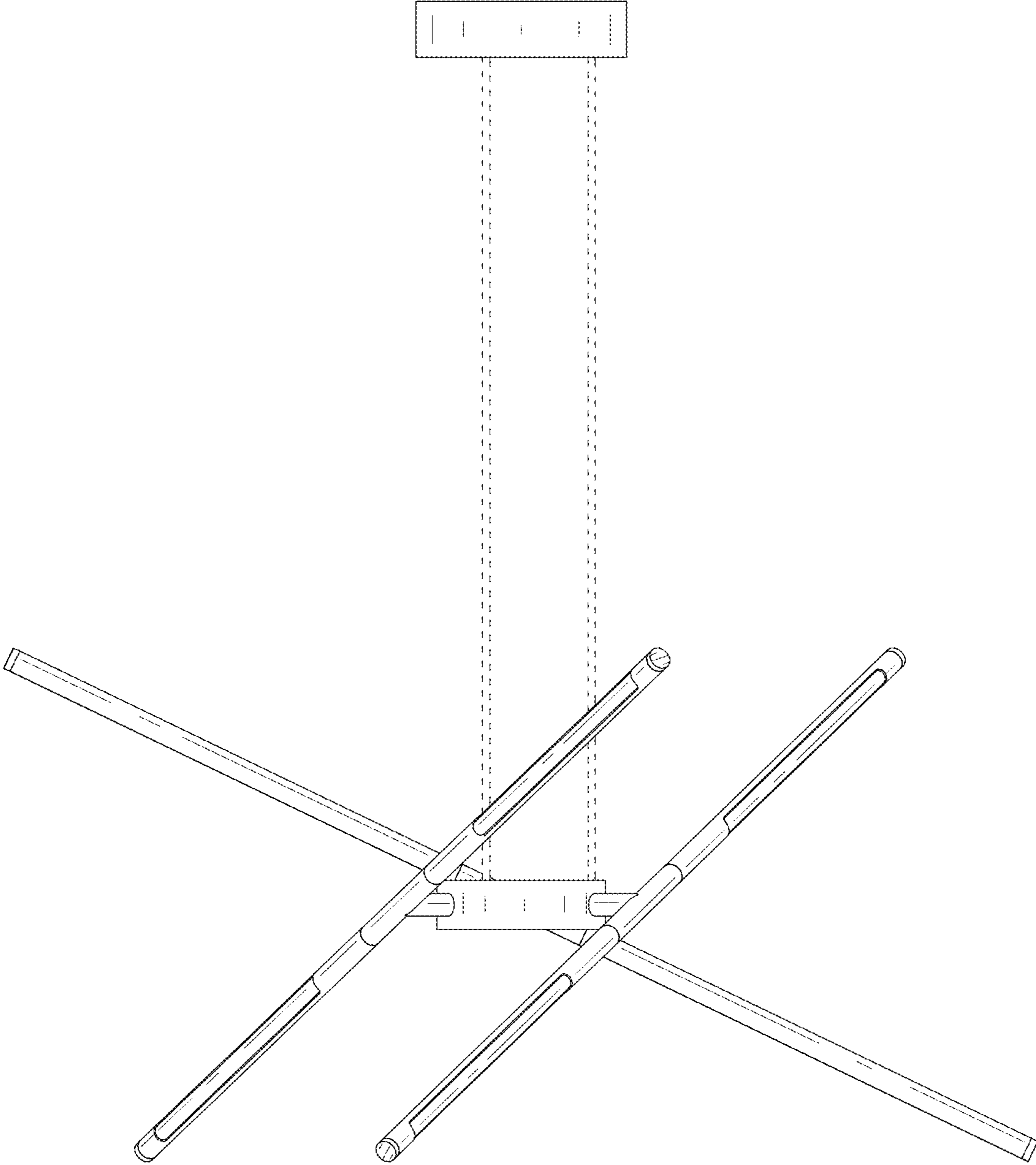


FIG. 2

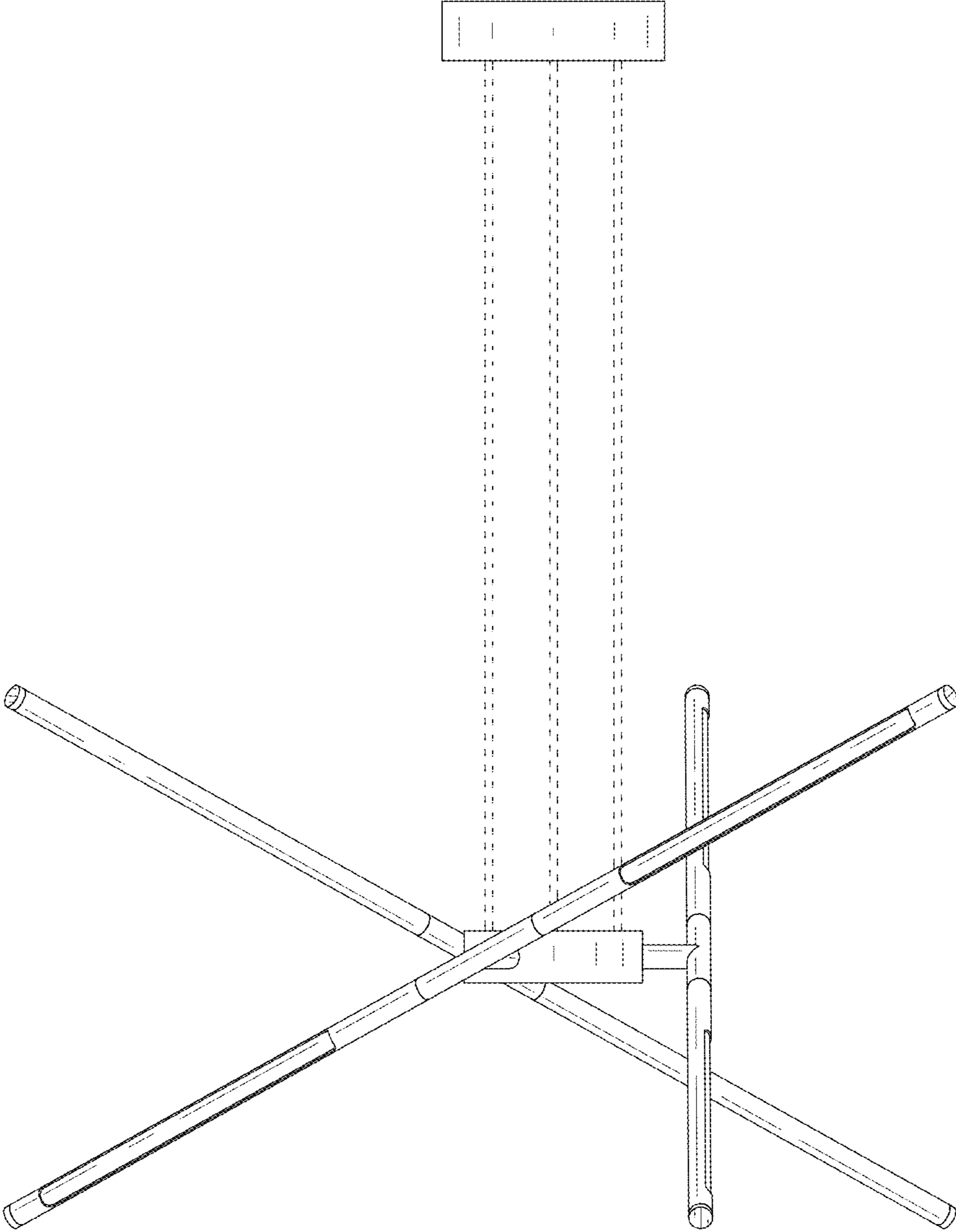


FIG. 3

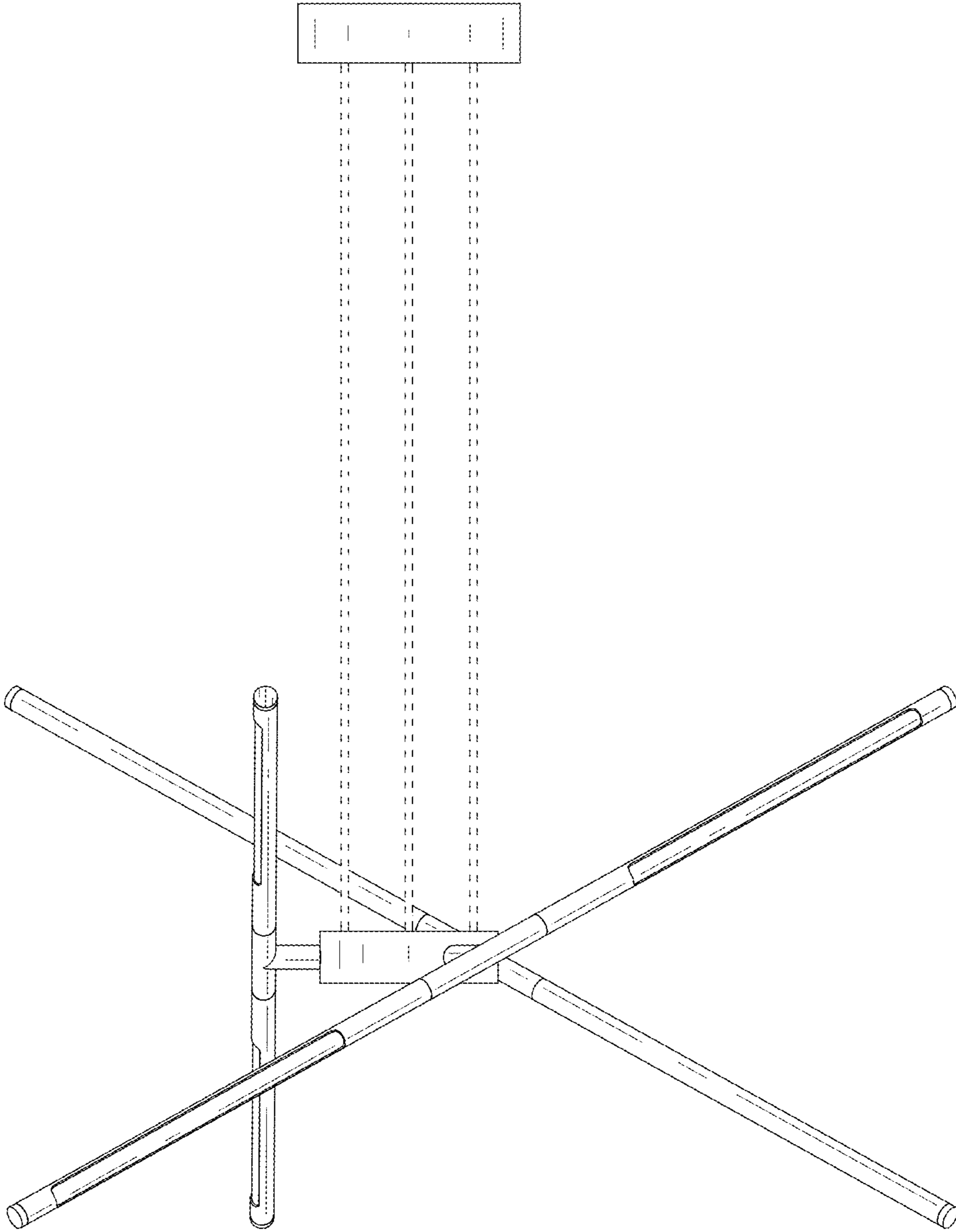


FIG. 4

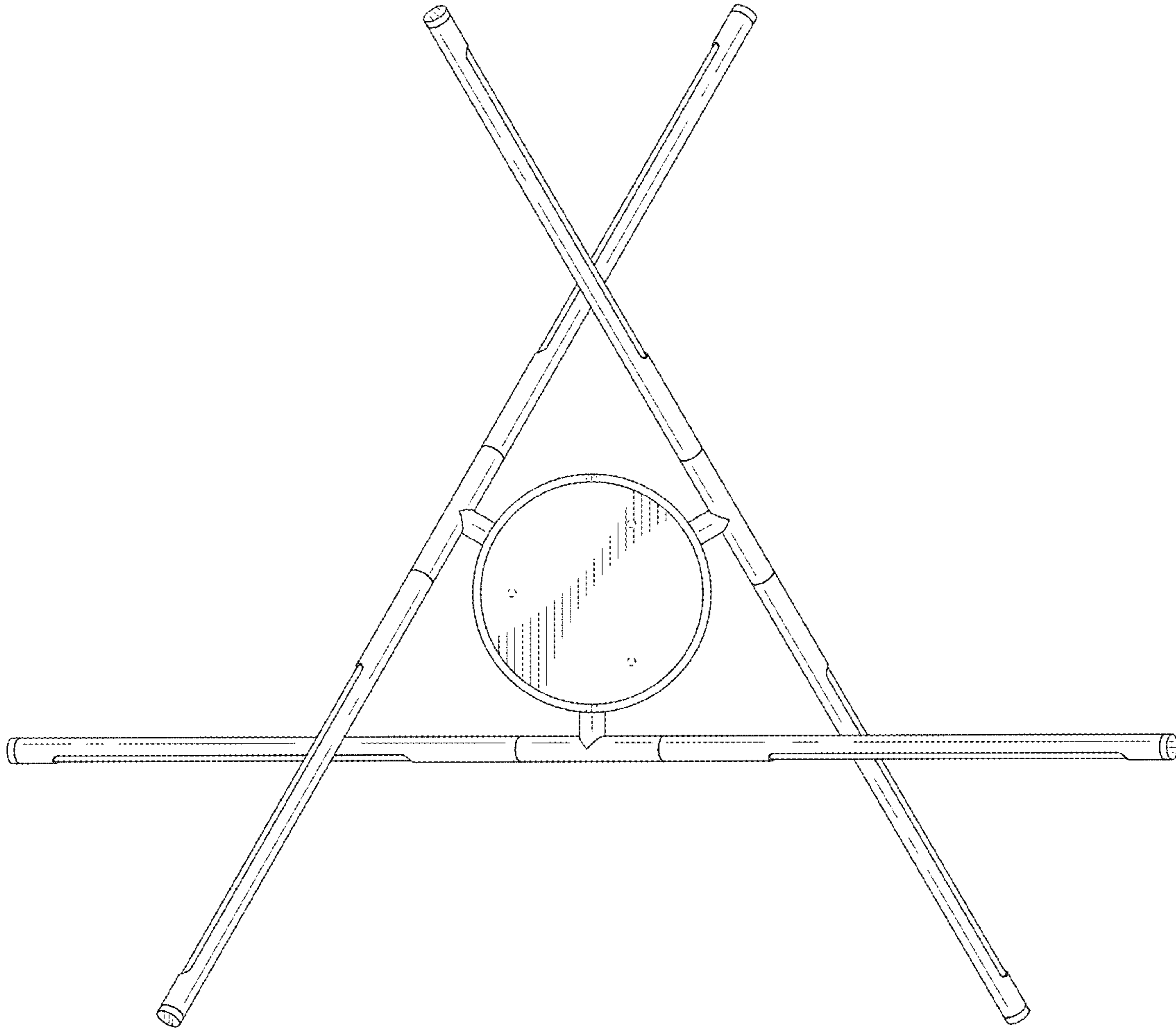


FIG. 5

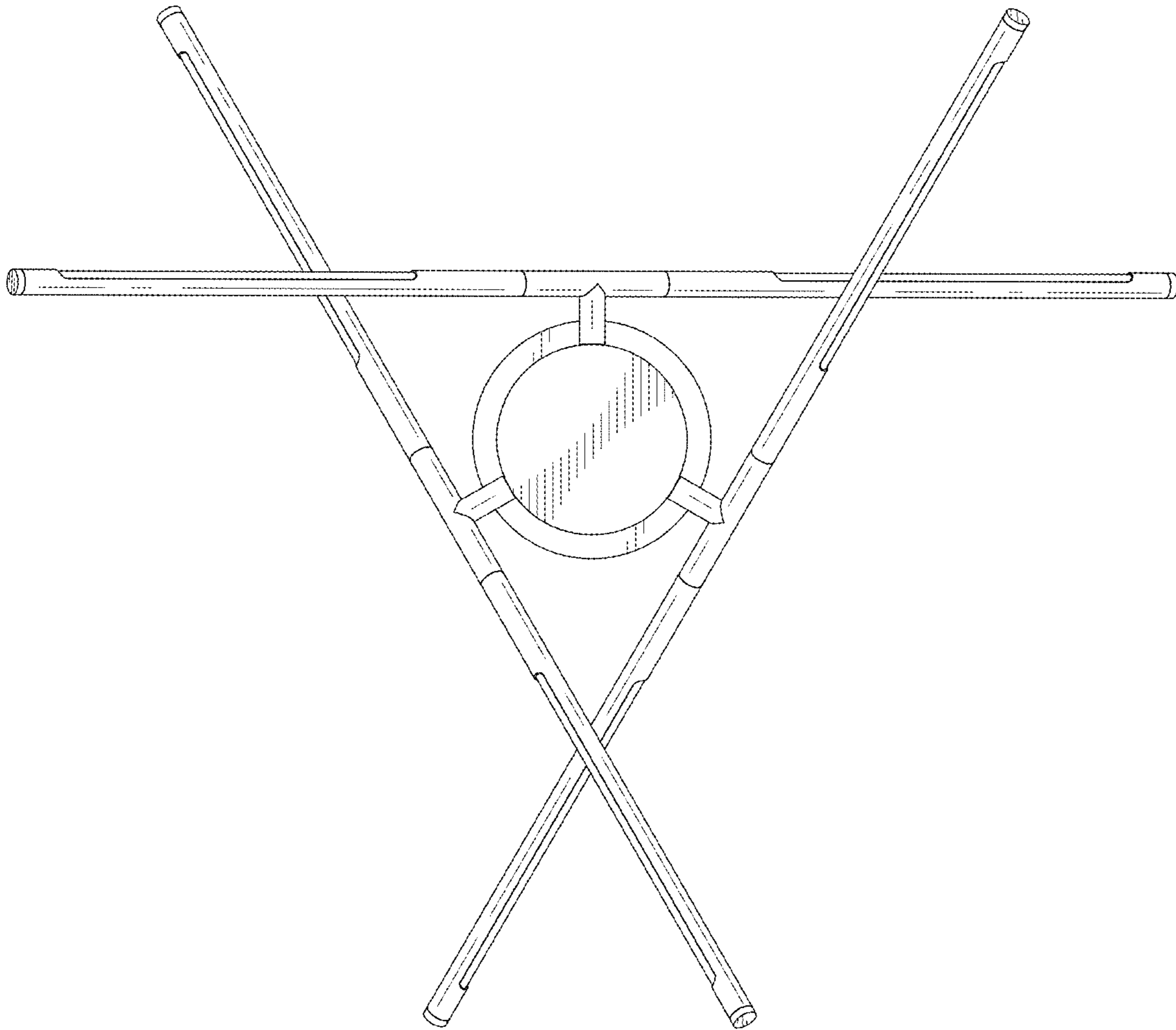


FIG. 6

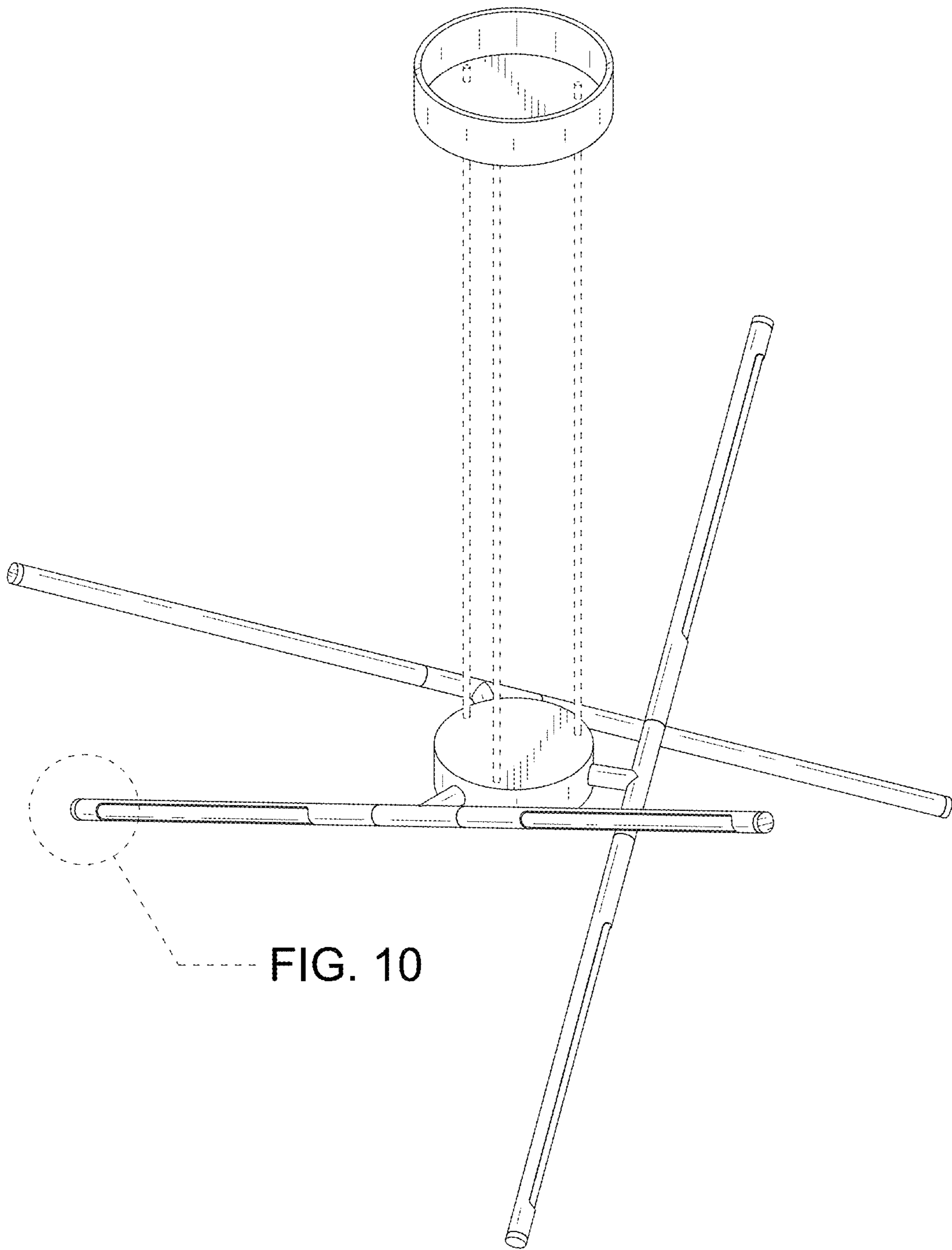


FIG. 10

FIG. 7

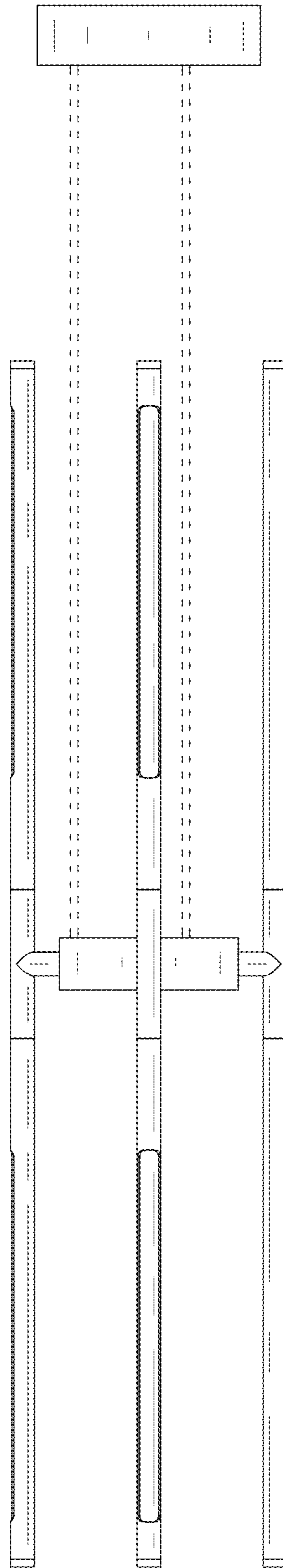


FIG. 8

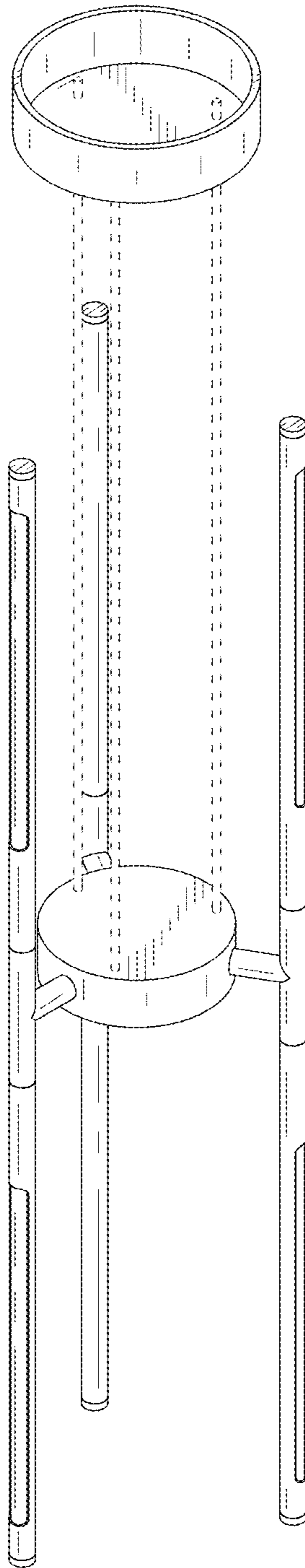


FIG. 9

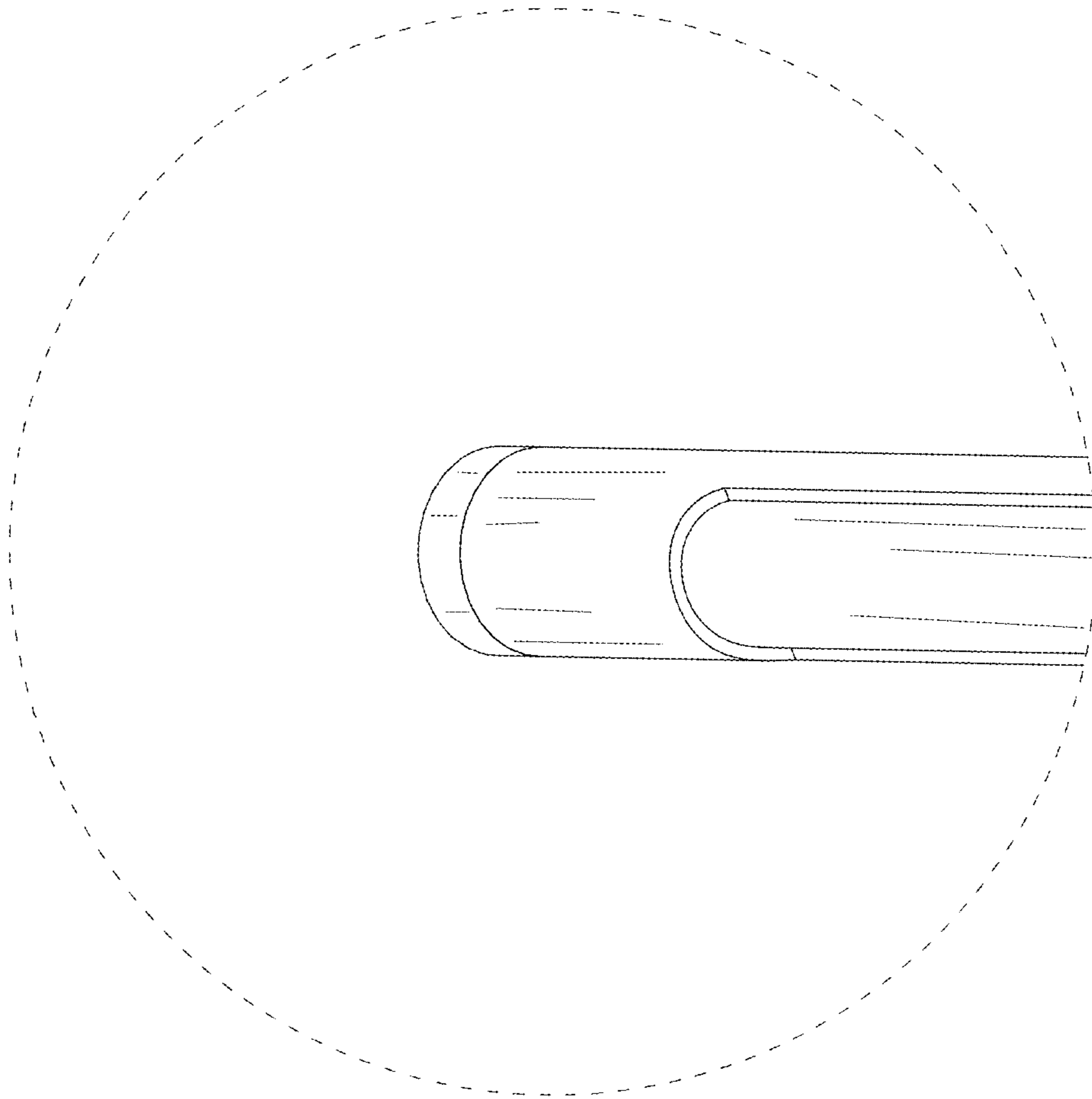


FIG. 10