



US00D956296S

(12) **United States Design Patent** (10) **Patent No.:** **US D956,296 S**
Cacciabeve (45) **Date of Patent:** **** Jun. 28, 2022**

(54) **PORTABLE CLAMP LIGHT**
(71) Applicant: **Walter R. Tucker Enterprises, Ltd.**,
Deposit, NY (US)
(72) Inventor: **Robert Cacciabeve**, Boonton, NJ (US)
(73) Assignee: **Walter T. Tucker Enterprises, Ltd.**,
Deposit, NY (US)

8,262,246 B2 9/2012 Pelletier et al.
8,348,454 B2 1/2013 Henry et al.
D708,376 S * 7/2014 Crowe D26/37
8,764,253 B2 7/2014 Ko et al.
8,840,264 B2 9/2014 Molina et al.
8,911,103 B2 12/2014 Matthews et al.
D737,487 S 8/2015 Beckett et al.
9,115,878 B2 8/2015 Ancona et al.
D778,475 S * 2/2017 Bao D26/65
D786,660 S * 5/2017 Cacciabeve
D799,095 S * 10/2017 Bao D26/65
D799,096 S * 10/2017 Bao D26/65
D824,063 S * 7/2018 Hutchens D26/60
D840,079 S * 2/2019 Marshall D26/60

(**) Term: **15 Years**
(21) Appl. No.: **29/700,362**

(22) Filed: **Aug. 1, 2019**
(51) **LOC (13) Cl.** **26-05**
(52) **U.S. Cl.**
USPC **D26/61**
(58) **Field of Classification Search**
USPC D26/1, 24, 39, 60, 61–66, 72, 97; D8/72,
D8/73, 394, 396; D10/104.1, 106.1,
D10/114.1, 114.2, 114.3; 362/157, 171,
362/362, 365, 368, 370, 473, 474, 486
CPC F21W 2107/00; F21W 2107/13; F21W
2107/17; F21S 9/00; F21S 9/02; F21S
9/22; F21S 41/18; F21S 41/19; F21S
41/192–198; F21S 8/00; F21S 8/02; F21S
8/03; F21S 8/06; F21S 8/003; F21S
8/043; F21V 15/01; F21V 15/04
See application file for complete search history.

(56) **References Cited**
U.S. PATENT DOCUMENTS
6,585,400 B2 7/2003 Leen
7,040,783 B1 5/2006 Christianson
D523,984 S * 6/2006 Cai D26/61
7,478,917 B2 1/2009 Vu
7,850,329 B2 12/2010 Henry et al.
8,025,420 B2 9/2011 Henry et al.
8,087,797 B2 1/2012 Pelletier et al.
8,142,045 B2 3/2012 Peak

(Continued)

OTHER PUBLICATIONS

DeWalt 20-Volt MAX Cordless LED Worklight, Model No. DCL044,
www.homedepot.com, Jan. 1, 2019, 4 Pages.
(Continued)

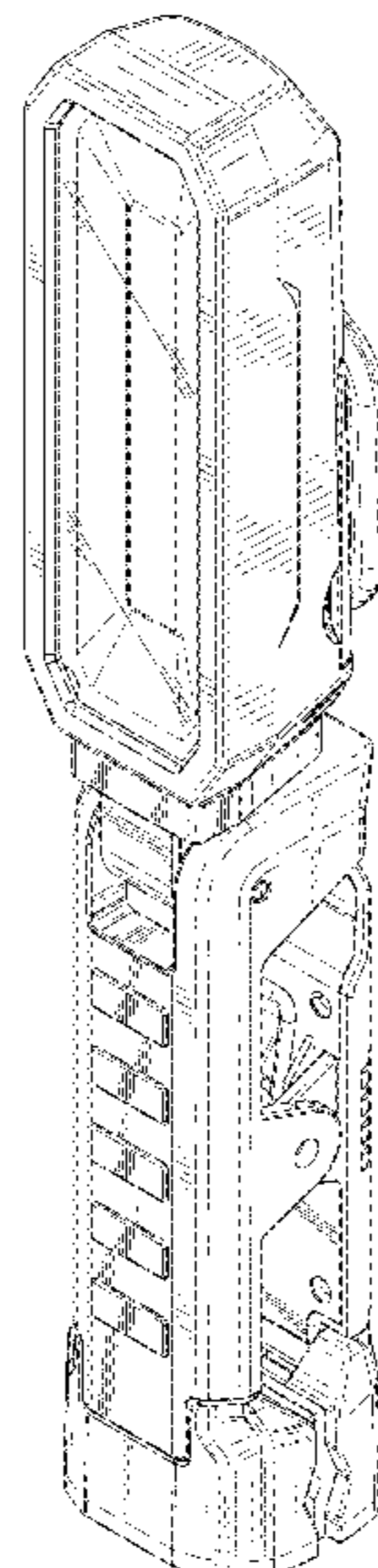
Primary Examiner — Clint A Samuel
(74) *Attorney, Agent, or Firm* — Breiner & Breiner,
L.L.C.

(57) **CLAIM**
The ornamental design for a portable clamp light, as shown
and described.

DESCRIPTION

FIG. 1 is a front/side perspective view of the portable clamp
light;
FIG. 2 is a front view of the portable clamp light;
FIG. 3 is a rear view of the portable clamp light;
FIG. 4 is a first side view of the portable clamp light;
FIG. 5 is a second side view of the portable clamp light;
FIG. 6 is a top view of the portable clamp light; and,
FIG. 7 is a bottom view of the portable clamp light.
The broken lines in the figures represent portions of the
portable clamp light that form no part of the claimed design.

1 Claim, 5 Drawing Sheets



(56)

References Cited

U.S. PATENT DOCUMENTS

D850,684 S * 6/2019 Zhang D26/42
D854,207 S * 7/2019 Zheng D26/44
2014/0126192 A1 5/2014 Ancona et al.
2017/0314769 A1 11/2017 Cacciabeve

OTHER PUBLICATIONS

Lutec 1500-Lumen Portable Integrated LED Work Light, Model No. 6333, www.homedepot.com, Jan. 1, 2019, 5 Pages.
Rob Robillard, Article—Ridgid LED Lighting Solutions, Tool Box Buzz, toolboxbuzz.com, Sep. 23, 2016, 14 Pages.
New Klein Clamping LED Clamping LED Flashlight, Model No. 56029, www.toolguyd.com, May 9, 2018, 13 Pages.
Stanley Heavy Duty Clamping Flashlight, Model No. 95-891, www.toolguyd.com, Nov. 13, 2009, 2 Pages.
CRAFTSMAN 2000-Lumen LED Portable, Work Light, Model No. CMXELAYMPL1026, www.lowes.com, Apr. 16, 2019, 5 Pages.
Blackfire Clamp Light Mini + LED Work Light, Model No. BBMX890X, www.homedepot.com, Apr. 16, 2019, 4 Pages.
Photograph—Black Fire Clamping Light.
Photograph—Black Fire Camping Clamping Light.
Photograph—Uninex Clamp Work Light.

* cited by examiner

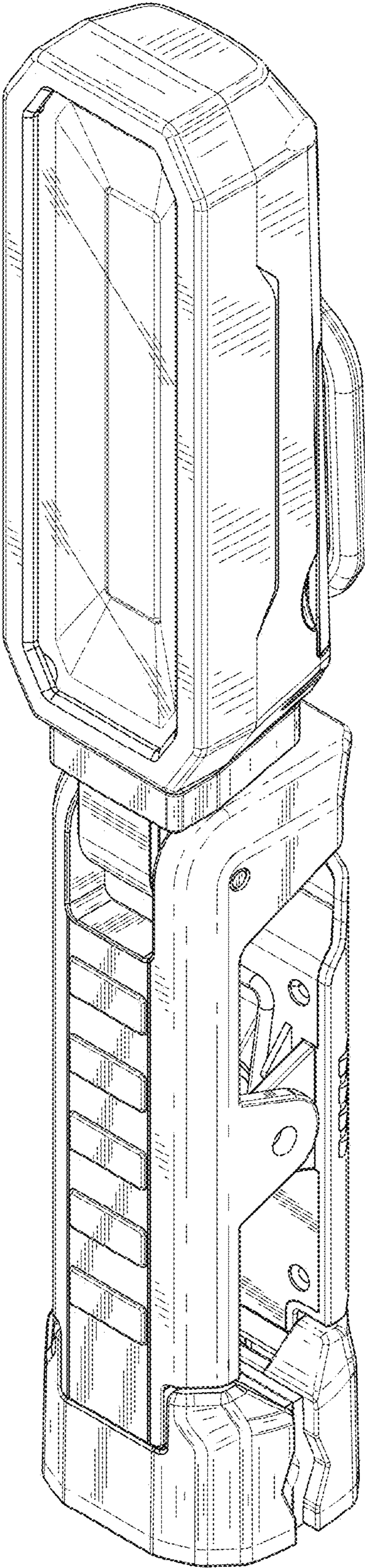


FIG. 1

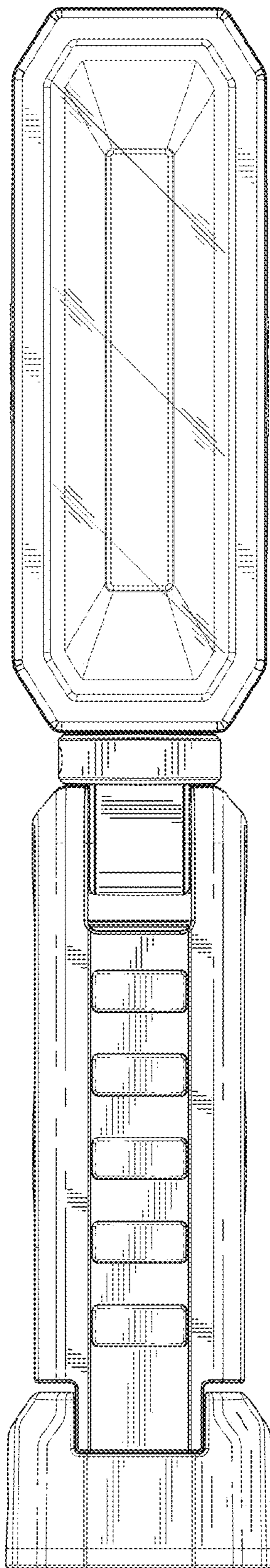


FIG. 2

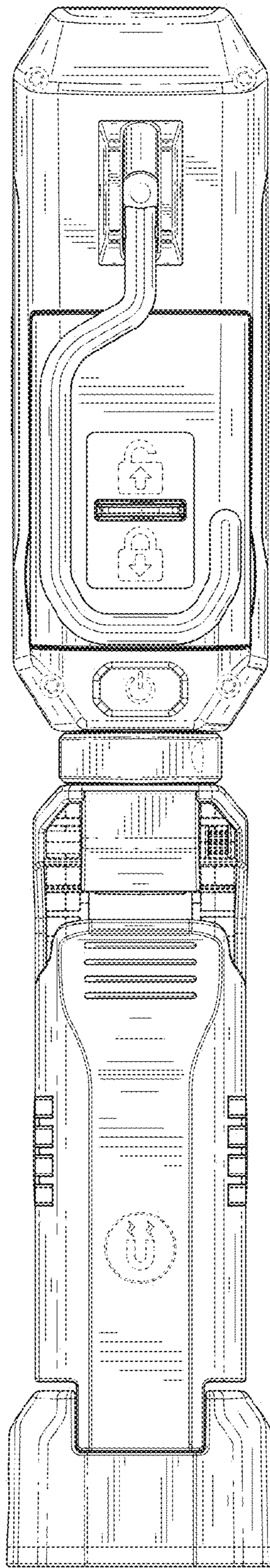


FIG. 3

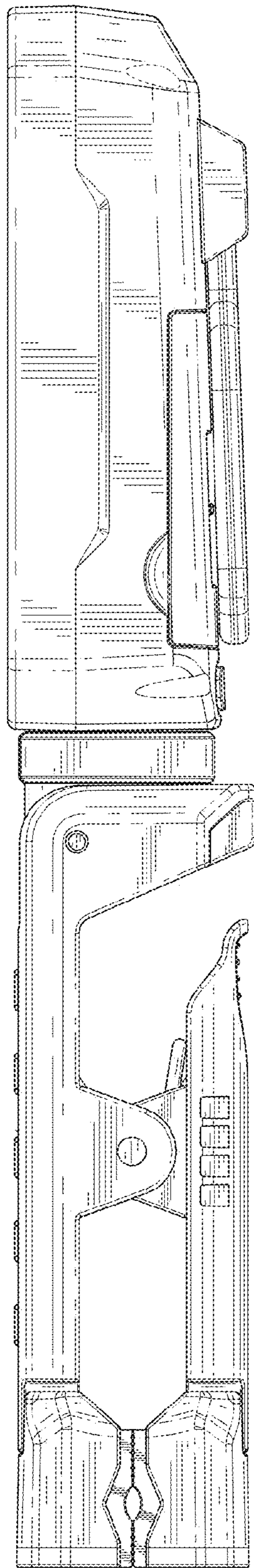


FIG. 4

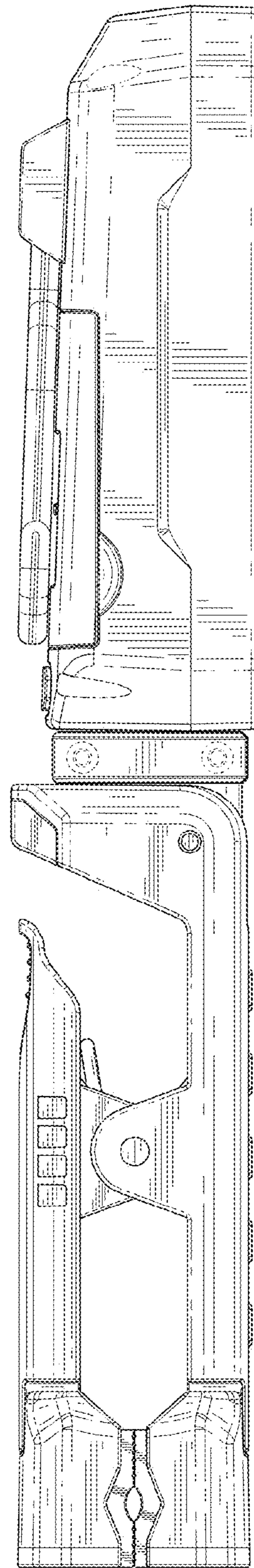


FIG. 5

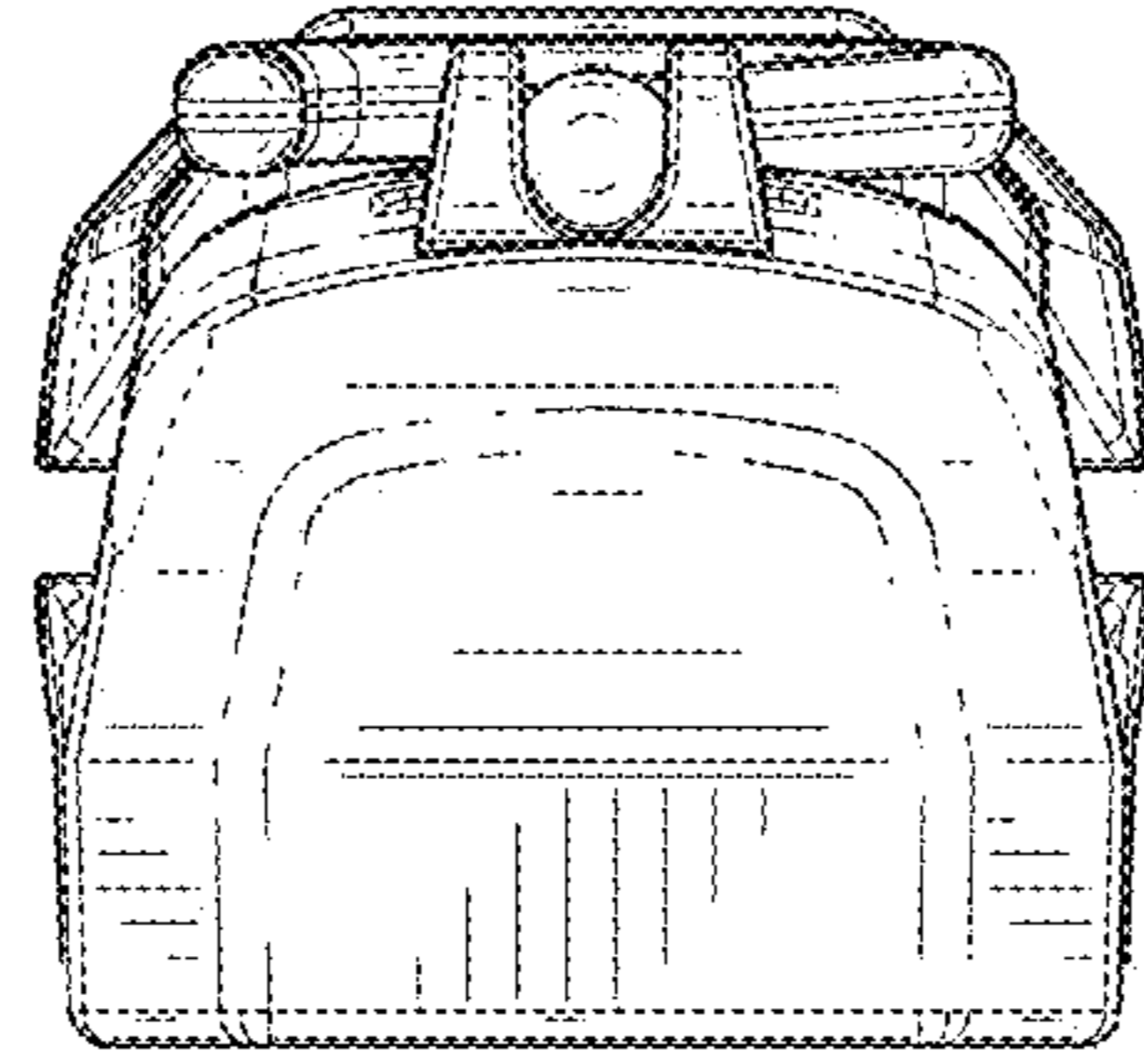


FIG. 6

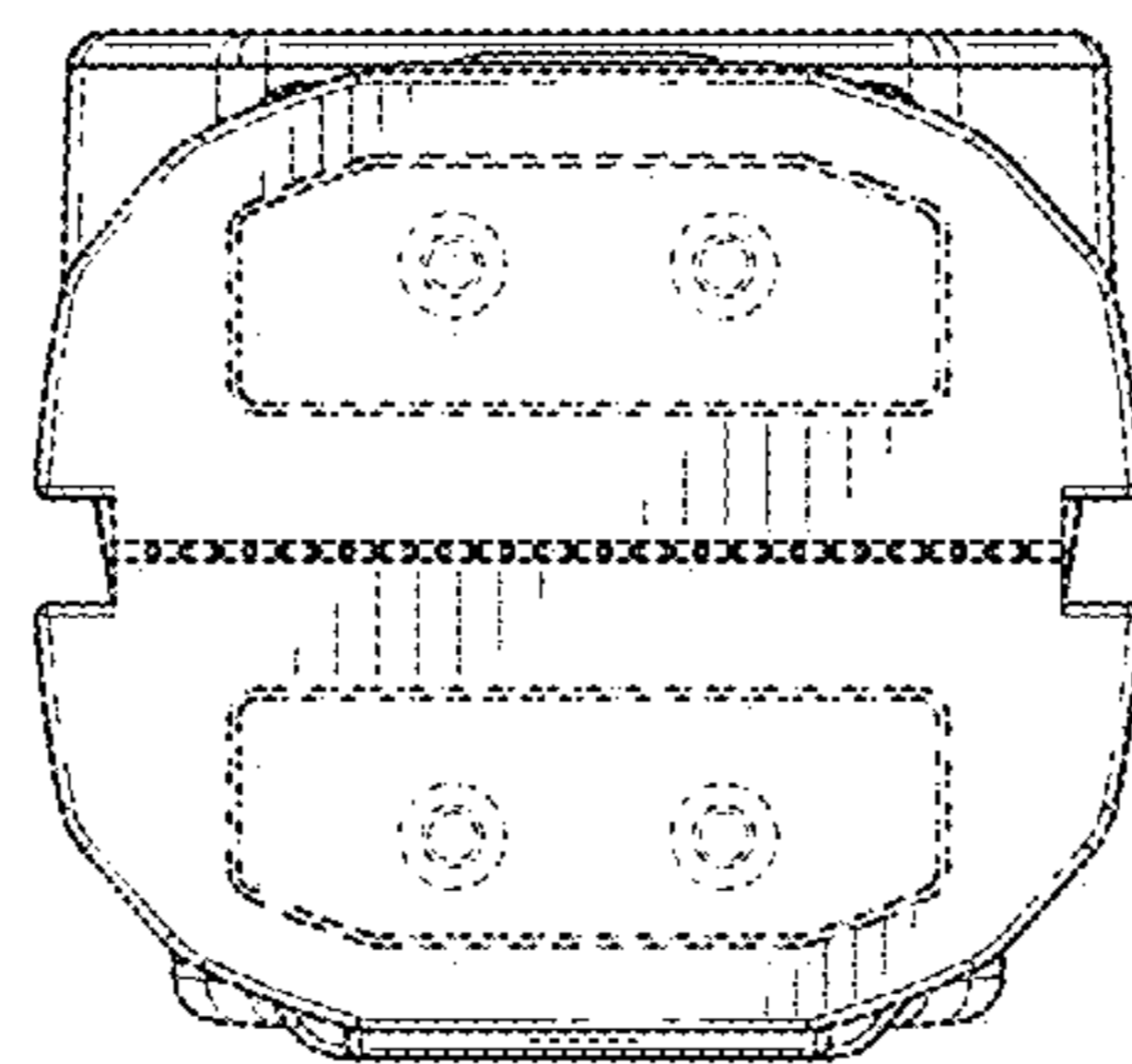


FIG. 7