



US00D956295S

(12) **United States Design Patent**  
**Liu**

(10) **Patent No.:** **US D956,295 S**  
(45) **Date of Patent:** **\*\* Jun. 28, 2022**

(54) **GRILL LED LIGHT**

(71) Applicant: **Dangxun Liu**, Bangbu (CN)

(72) Inventor: **Dangxun Liu**, Bangbu (CN)

(\*\*) Term: **15 Years**

(21) Appl. No.: **29/739,536**

(22) Filed: **Jun. 26, 2020**

(51) **LOC (13) Cl.** ..... **26-05**

(52) **U.S. Cl.**  
USPC ..... **D26/60; D26/24; D26/28**

(58) **Field of Classification Search**  
USPC ..... D26/24, 28, 34, 38, 51, 58, 60, 72, 81,  
D26/139, 152, 155; D15/17, 28, 31;  
D10/114.2; 362/127, 133, 490, 495, 496,  
362/497  
CPC ..... F21S 8/00; F21S 8/03; F21S 8/038; F21S  
8/043; F21S 9/00; F21S 9/022; F21S  
41/00; F21S 41/19; F21S 41/39; F21S  
41/141; F21S 4/28; F21V 33/0024; F21V  
15/04  
See application file for complete search history.

D779,984 S \* 2/2017 Deyaf ..... D10/114.2  
D787,739 S 5/2017 Gittin  
9,879,838 B2 \* 1/2018 Meyrenaud ..... F21S 43/14  
9,897,272 B2 \* 2/2018 Shibata ..... F21S 41/25  
D832,485 S \* 10/2018 Lopez ..... D26/72  
D835,822 S \* 12/2018 Koerth ..... D26/60  
D835,823 S \* 12/2018 Koerth ..... D26/60  
D835,824 S \* 12/2018 Koerth ..... D26/60  
D835,825 S \* 12/2018 Koerth ..... D26/60  
D835,826 S \* 12/2018 Koerth ..... D26/60  
D842,534 S 3/2019 Gittin et al.  
D864,451 S \* 10/2019 Koerth ..... D26/60  
D873,459 S \* 1/2020 Angell ..... D26/60  
D900,363 S \* 10/2020 Liu ..... D26/28  
D913,539 S \* 3/2021 Maxey ..... D26/28  
D913,540 S \* 3/2021 Maxey ..... D26/28  
D914,259 S \* 3/2021 Kipp ..... D26/58  
D916,339 S \* 4/2021 Ormsbee ..... D26/34  
D921,948 S \* 6/2021 Proeber ..... D26/60  
D922,626 S \* 6/2021 Yeh ..... D26/28  
(Continued)

*Primary Examiner* — Clint A Samuel  
(74) *Attorney, Agent, or Firm* — Runit Ranjit Kanakia

(57) **CLAIM**

I claim the ornamental design for a grill LED light, as shown and described.

**DESCRIPTION**

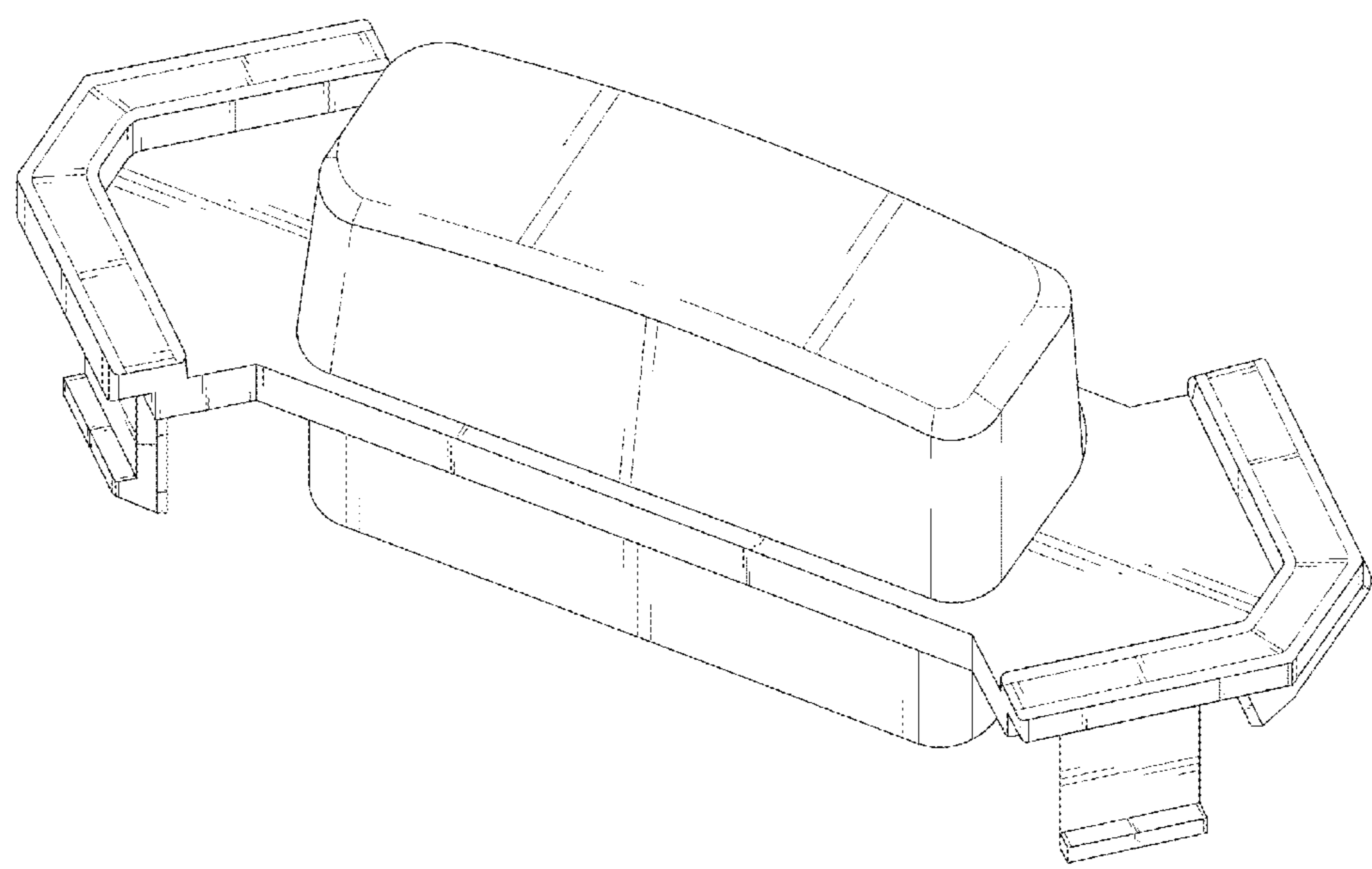
FIG. 1 is a Perspective view of a grill LED light showing my new design;  
FIG. 2 is a Right-side view thereof;  
FIG. 3 is a Left-side view thereof;  
FIG. 4 is a Front view thereof;  
FIG. 5 is a Back view thereof;  
FIG. 6 is a Top view thereof; and,  
FIG. 7 is a Bottom view thereof.  
The broken lines are for the purpose of illustrating portions of the article that form no part of the claim. Further, the shading in FIG. 7 showcase that the surface is flat in nature.

**1 Claim, 6 Drawing Sheets**

(56) **References Cited**

U.S. PATENT DOCUMENTS

1,481,057 A \* 1/1924 Gott ..... B60Q 1/323  
362/495  
D524,974 S \* 7/2006 Zernov ..... D26/37  
D586,028 S \* 2/2009 Condon ..... D26/72  
D602,628 S \* 10/2009 Benensohn ..... D26/61  
D617,226 S \* 6/2010 Cai ..... D10/114.4  
D617,227 S \* 6/2010 Cai ..... D10/114.4  
D618,384 S \* 6/2010 Chen ..... D26/120  
D642,597 S 8/2011 Krogh et al.  
D646,305 S 10/2011 Krogh et al.  
D650,506 S \* 12/2011 Kaule ..... D26/72  
D766,476 S \* 9/2016 Liu ..... D26/28  
D770,317 S \* 11/2016 Heggemann ..... D10/111



(56)

**References Cited**

U.S. PATENT DOCUMENTS

2005/0190553 A1\* 9/2005 Lynch ..... F21V 29/76  
362/227  
2010/0014304 A1\* 1/2010 Frey ..... F21S 41/29  
362/507  
2010/0157596 A1\* 6/2010 Wen ..... F21V 31/005  
362/235  
2010/0302761 A1\* 12/2010 Benensohn ..... F21V 33/0012  
362/133  
2011/0141722 A1\* 6/2011 Acampora ..... F21V 15/013  
362/218  
2016/0327237 A1\* 11/2016 Hoch ..... F21V 17/164

\* cited by examiner

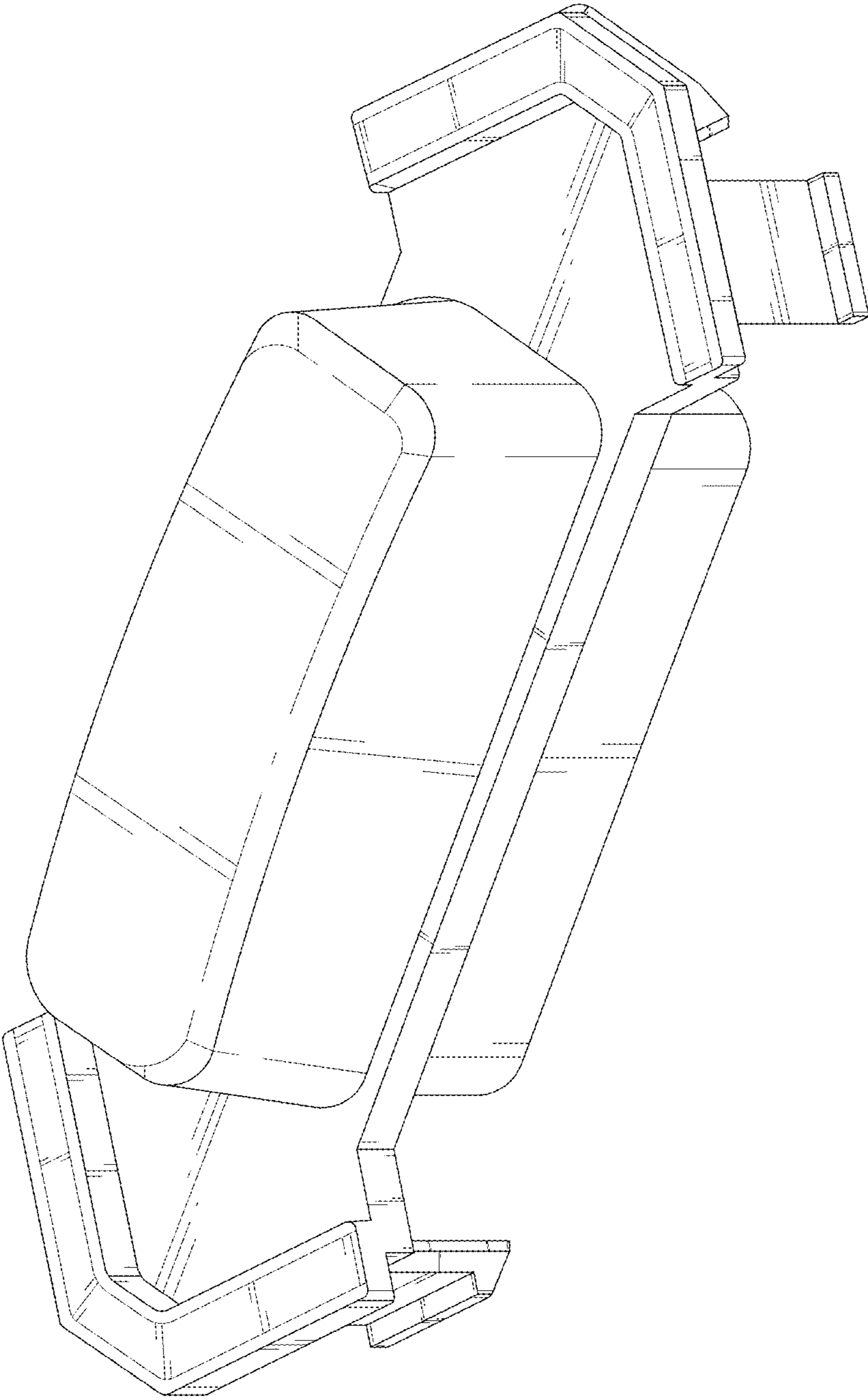


FIG. 1

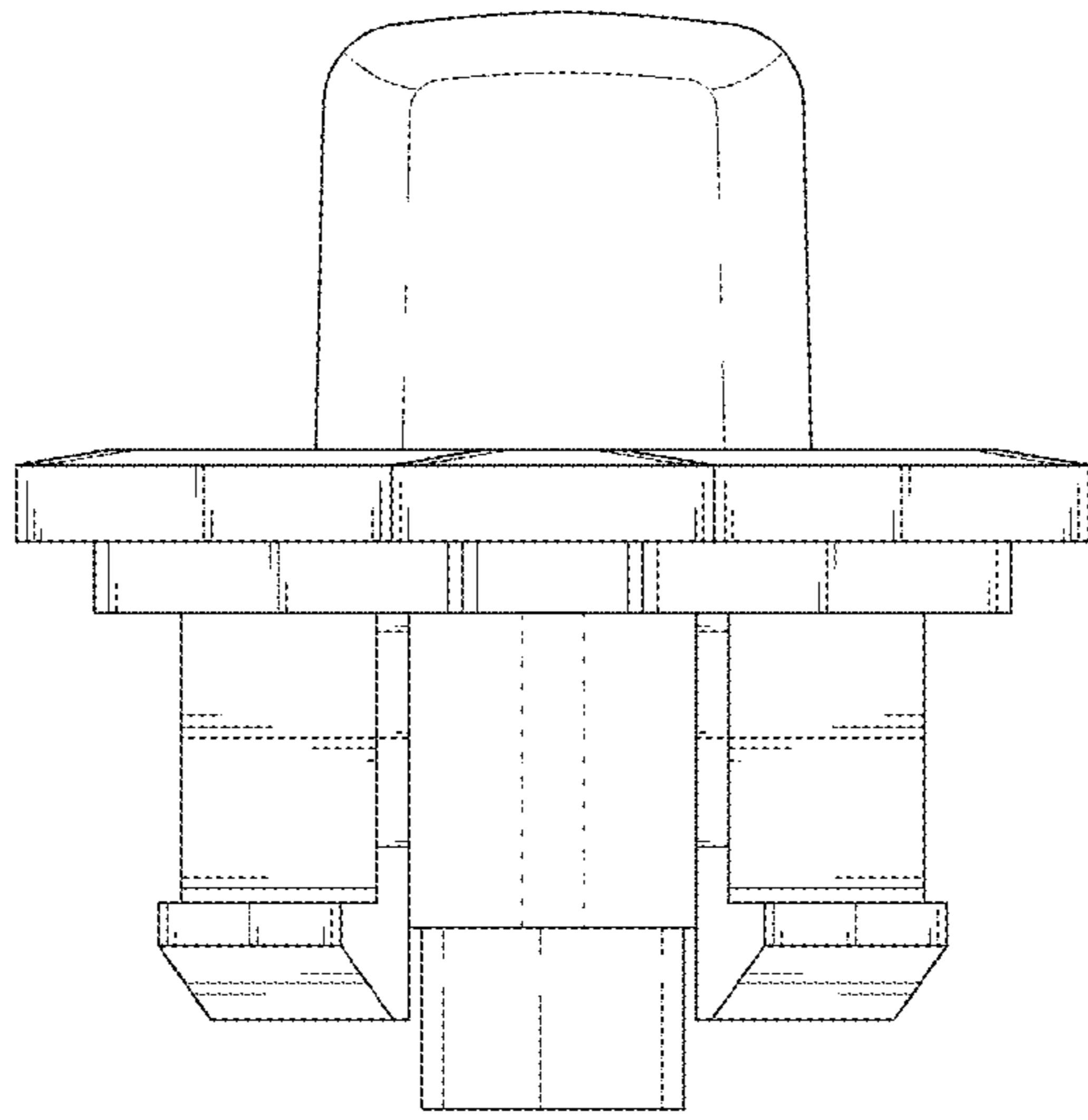


FIG. 2

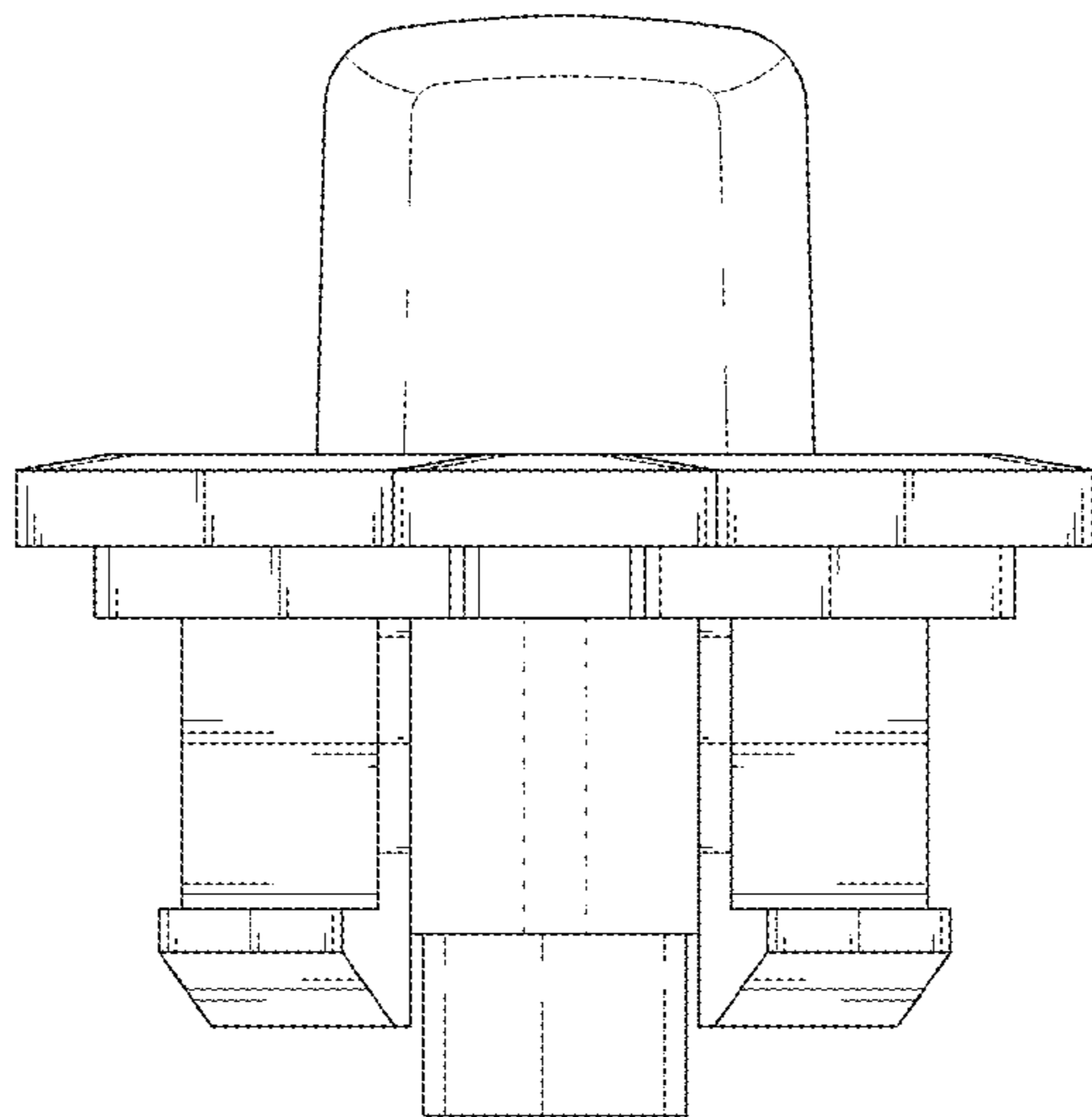


FIG. 3

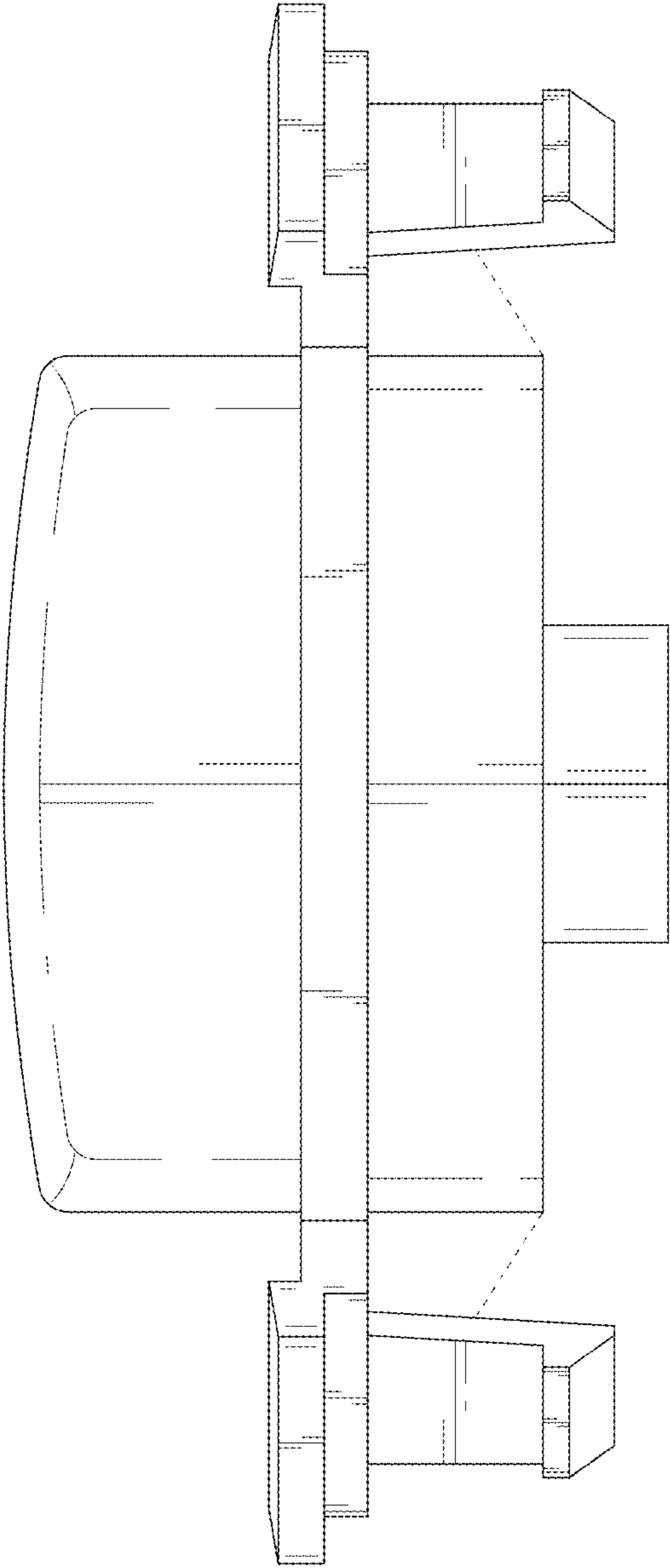


FIG. 4

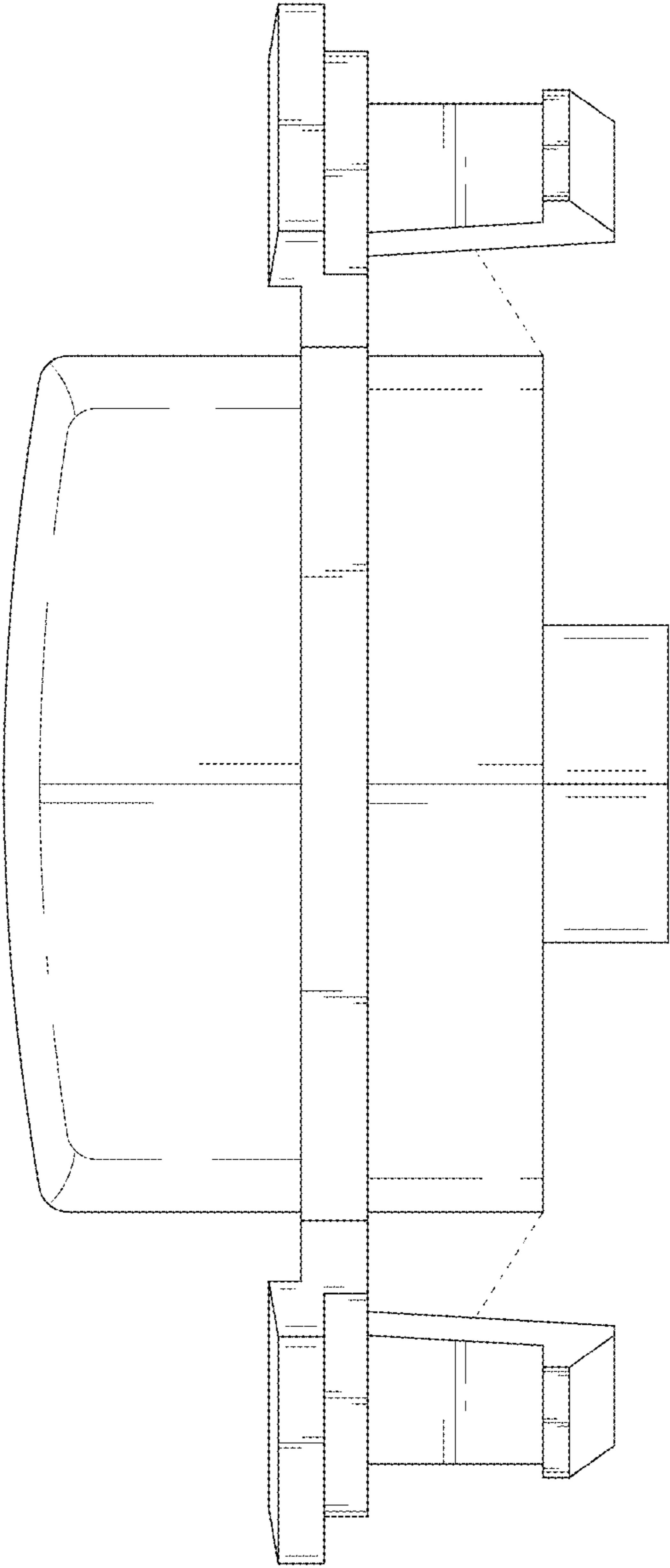


FIG. 5

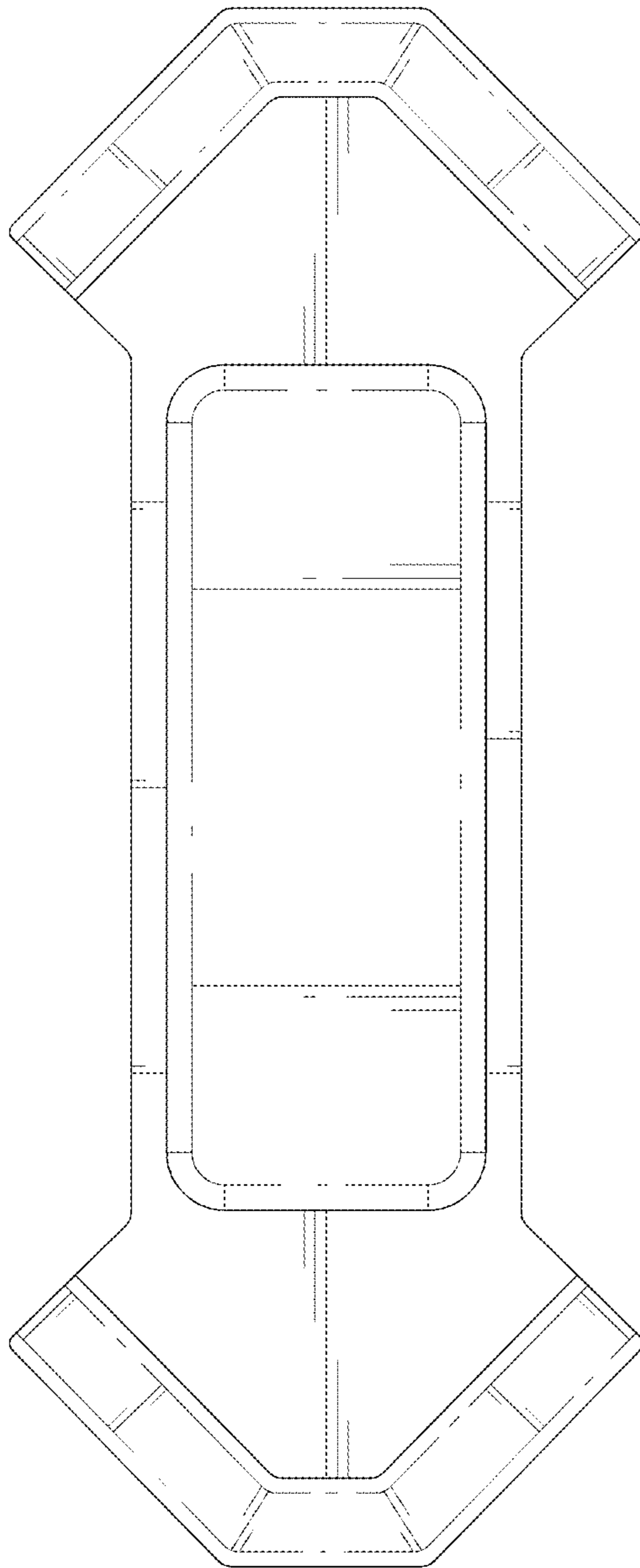


FIG. 6

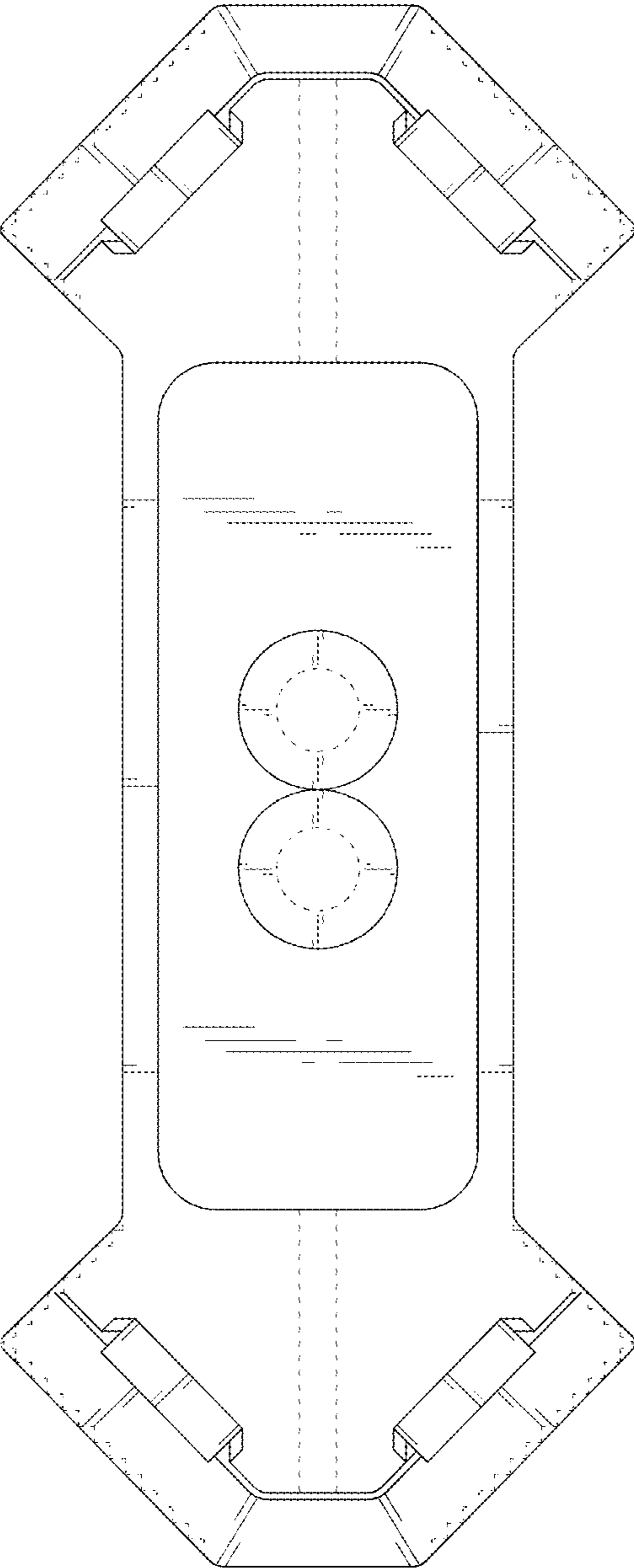


FIG. 7