



US00D956293S

(12) **United States Design Patent**  
**Zhang**

(10) **Patent No.:** **US D956,293 S**  
(45) **Date of Patent:** **\*\* Jun. 28, 2022**

(54) **LANTERN**

FOREIGN PATENT DOCUMENTS

(71) Applicant: **Biao Zhang**, Grand Prarie, TX (US)

CN 3635265 \* 4/2007  
CN 302234379 \* 12/2012

(72) Inventor: **Biao Zhang**, Grand Prarie, TX (US)

(Continued)

(\*\*) Term: **15 Years**

OTHER PUBLICATIONS

(21) Appl. No.: **29/703,279**

“Kovea (kobea) Table Gas Heater,” Jan. 24, 2018, amazon.com, site visited Jul. 13, 2021, URL: <https://www.amazon.co.jp/-/en/KH-%E2%80%931009-Gas-Outdoor-Portable-KH-%E2%80%931009-parallel/dp/B0799GFZMT> (Year: 2018).\*

(22) Filed: **Aug. 26, 2019**

(Continued)

(51) **LOC (13) Cl.** ..... **26-02**

(52) **U.S. Cl.**  
USPC ..... **D26/41**

(58) **Field of Classification Search**  
USPC ..... D26/37–44, 46–52, 67, 85, 87, 60, 61,  
D26/36, 25, 27, 113; D10/109.1,  
D10/111–115

*Primary Examiner* — Eric L Goodman  
*Assistant Examiner* — Sarah L Smith  
(74) *Attorney, Agent, or Firm* — Brett M. Pinkus

CPC ..... F21Y 2107/30; F21L 19/00; F21V 5/006;  
F21V 21/0824; F21V 15/02; F21S 9/022;  
F21W 2131/1005

(57) **CLAIM**

See application file for complete search history.

The ornamental design for a lantern, as shown and described.

(56) **References Cited**

**DESCRIPTION**

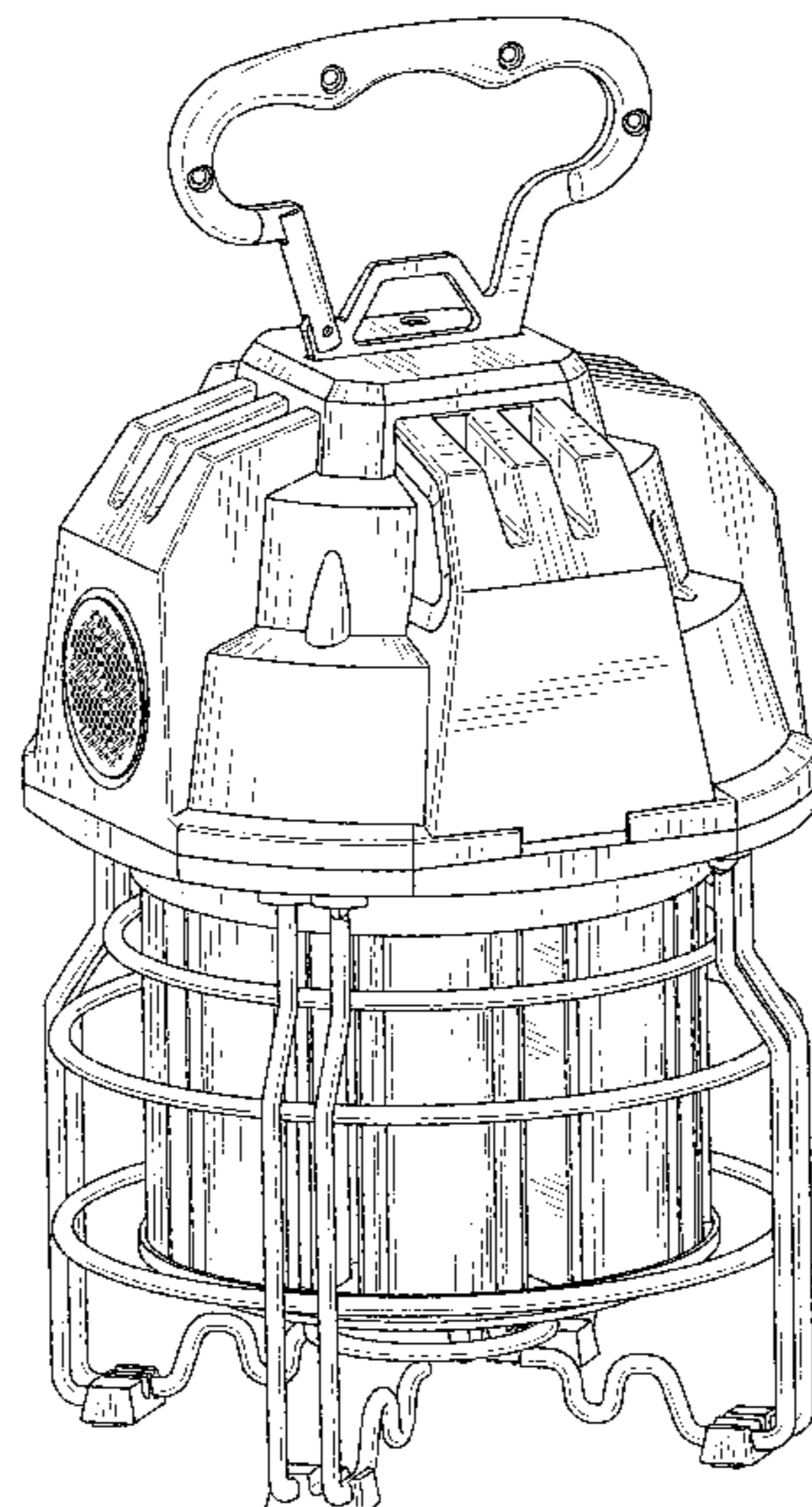
U.S. PATENT DOCUMENTS

|           |     |         |          |       |              |
|-----------|-----|---------|----------|-------|--------------|
| 1,405,007 | A * | 1/1922  | Rolfes   | ..... | F21L 19/00   |
|           |     |         |          |       | 362/400      |
| 1,415,635 | A * | 5/1922  | Hamm     | ..... | F21V 21/00   |
|           |     |         |          |       | 220/764      |
| 1,429,074 | A * | 9/1922  | Griffith | ..... | F21L 19/00   |
|           |     |         |          |       | 362/180      |
| 1,471,194 | A * | 10/1923 | Nordman  | ..... | F21L 19/00   |
|           |     |         |          |       | 246/488      |
| 1,477,923 | A * | 12/1923 | Welton   | ..... | F21L 19/00   |
|           |     |         |          |       | 362/167      |
| 2,274,932 | A * | 3/1942  | Patche   | ..... | F21V 23/0414 |
|           |     |         |          |       | 362/185      |
| 2,289,276 | A * | 7/1942  | Packer   | ..... | F21L 2/00    |
|           |     |         |          |       | 362/185      |
| 2,492,296 | A * | 12/1949 | Koblas   | ..... | F21L 14/00   |
|           |     |         |          |       | 340/331      |
| D172,524  | S * | 6/1954  | Trow     | ..... | D26/41       |

FIG. 1 is a front perspective of a lantern showing our new design;  
FIG. 2 is a front elevation view thereof;  
FIG. 3 is a rear elevation view thereof;  
FIG. 4 is a right side elevation view thereof;  
FIG. 5 is a left side elevation view thereof;  
FIG. 6 is a top plan view thereof;  
FIG. 7 is a bottom plan view thereof; and,  
FIG. 8 is a front perspective of a lantern showing our new design, with a compartment door in an open position to reveal a compartment having a power outlet and electronic interface.  
Portions of the lantern are shown in broken lines, and is for illustrative purposes only and forms no part of the claimed design.

(Continued)

**1 Claim, 8 Drawing Sheets**



(56)

**References Cited**

U.S. PATENT DOCUMENTS

D300,455 S \* 3/1989 Sakai ..... D23/336  
 5,758,949 A \* 6/1998 Van Deursen ..... F21L 4/00  
 362/162  
 D426,662 S \* 6/2000 Taniguchi ..... D26/40  
 D448,101 S \* 9/2001 Lam ..... F21L 14/00  
 D26/41  
 D571,493 S \* 6/2008 Li ..... F21L 2/00  
 D26/37  
 D599,047 S \* 8/2009 Kung ..... F21V 23/0414  
 D26/49  
 D628,325 S \* 11/2010 Houghton ..... F21L 19/00  
 D26/41  
 D694,444 S \* 11/2013 Poon ..... D26/40  
 D729,428 S \* 5/2015 Shen ..... F21L 19/00  
 D26/41  
 D747,523 S \* 1/2016 Salmon ..... F21V 21/00  
 D26/40  
 D806,922 S \* 1/2018 Pedersen ..... F21L 19/00  
 D26/41

D894,454 S \* 8/2020 Yang ..... F21L 4/00  
 D26/41  
 D907,823 S \* 1/2021 Lou ..... D26/40  
 2018/0209594 A1\* 7/2018 Parisi ..... F21L 4/00  
 2018/0343846 A1\* 12/2018 Horne ..... A01M 1/04  
 2019/0178472 A1\* 6/2019 Young ..... F21V 23/02

FOREIGN PATENT DOCUMENTS

CN 303442011 \* 11/2015  
 CN 303456161 \* 11/2015  
 CN 304679729 \* 6/2018

OTHER PUBLICATIONS

“Ozark Trail Rechargeable Lantern with Bluetooth,” Apr. 20, 2019, youtube.com, site visited Jul. 13, 2021, URL: <https://www.youtube.com/watch?v=nYGTa9JvUww> (Year: 2019).\*

\* cited by examiner

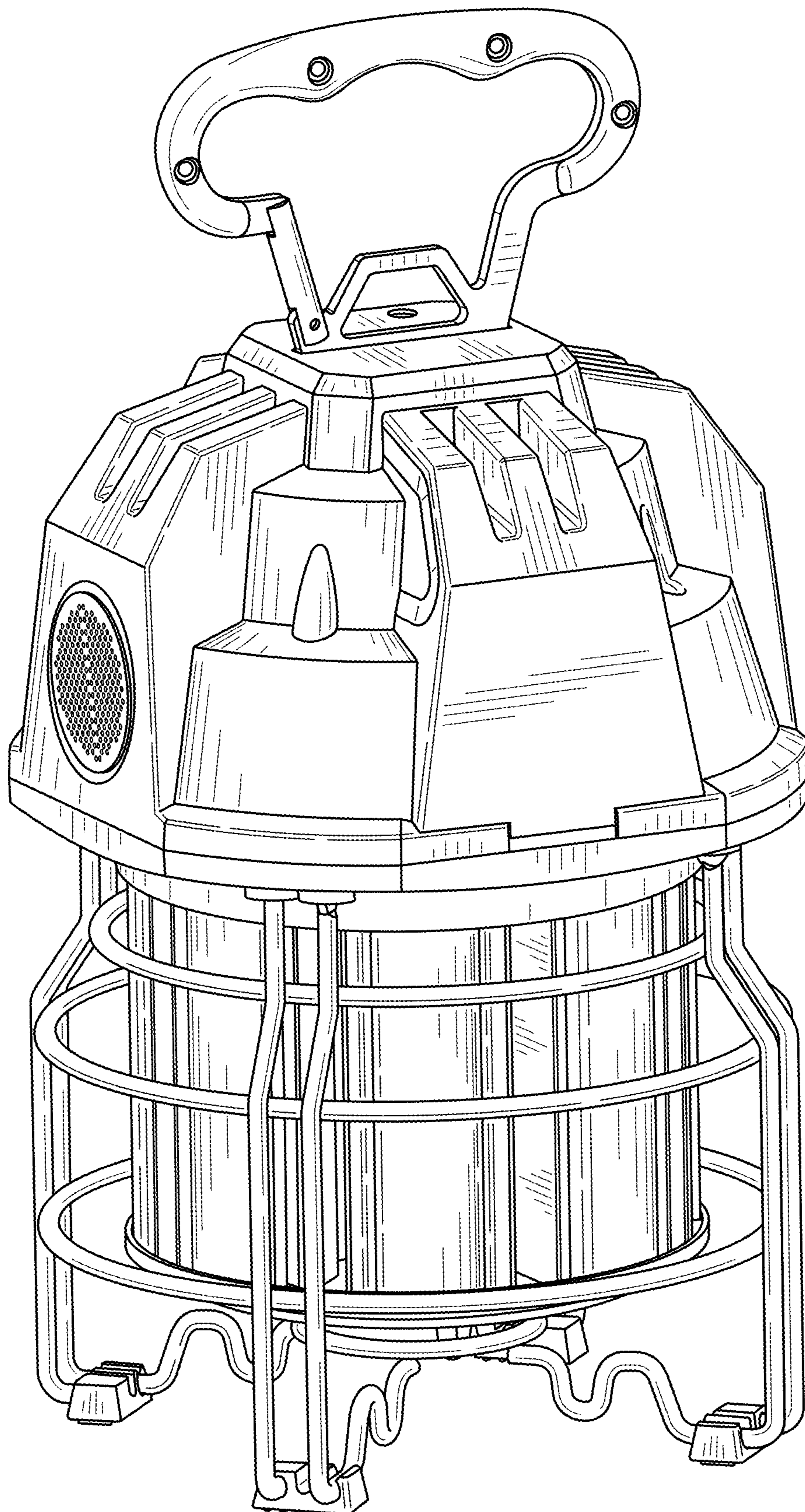


FIG. 1

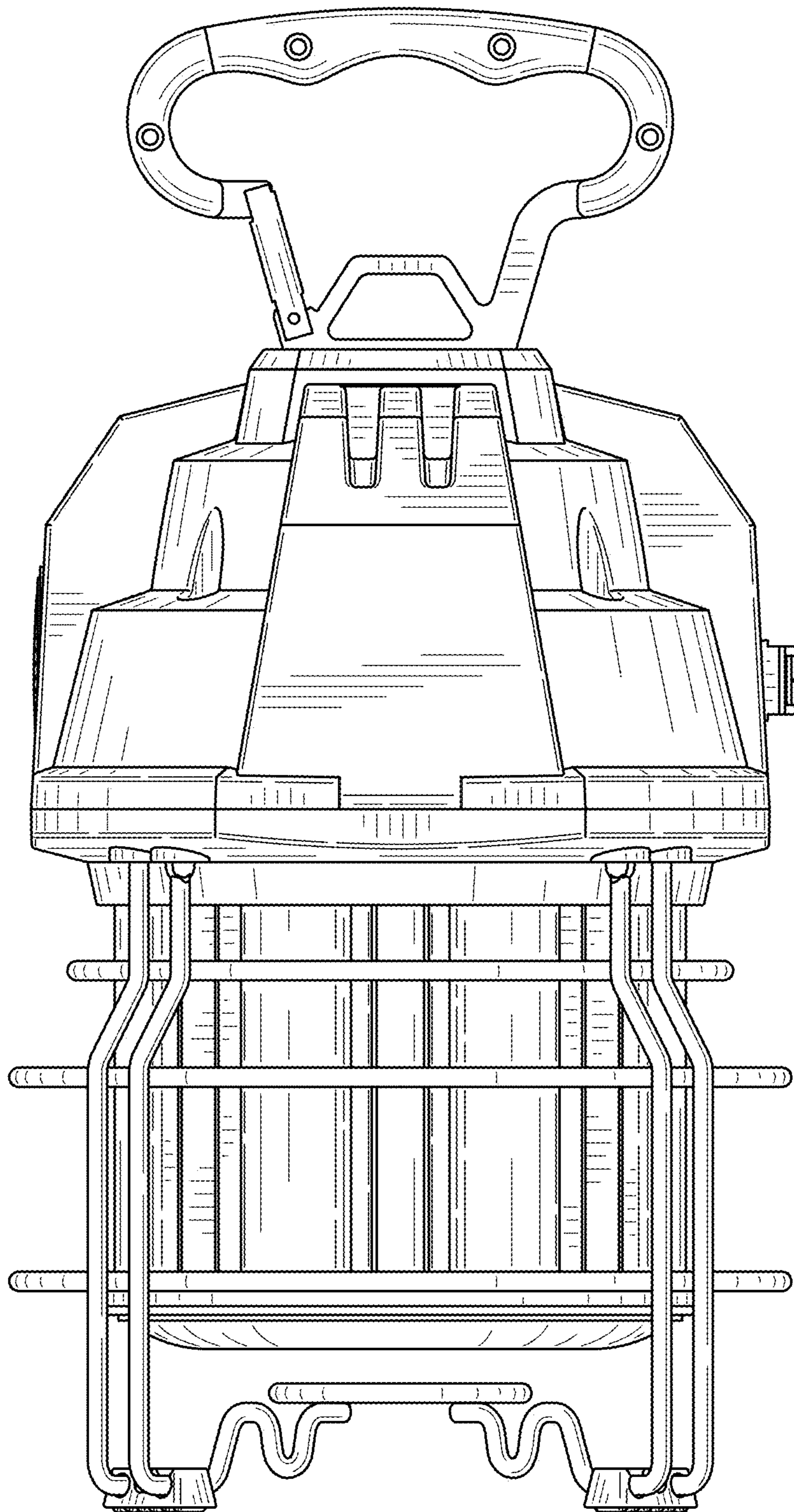


FIG. 2

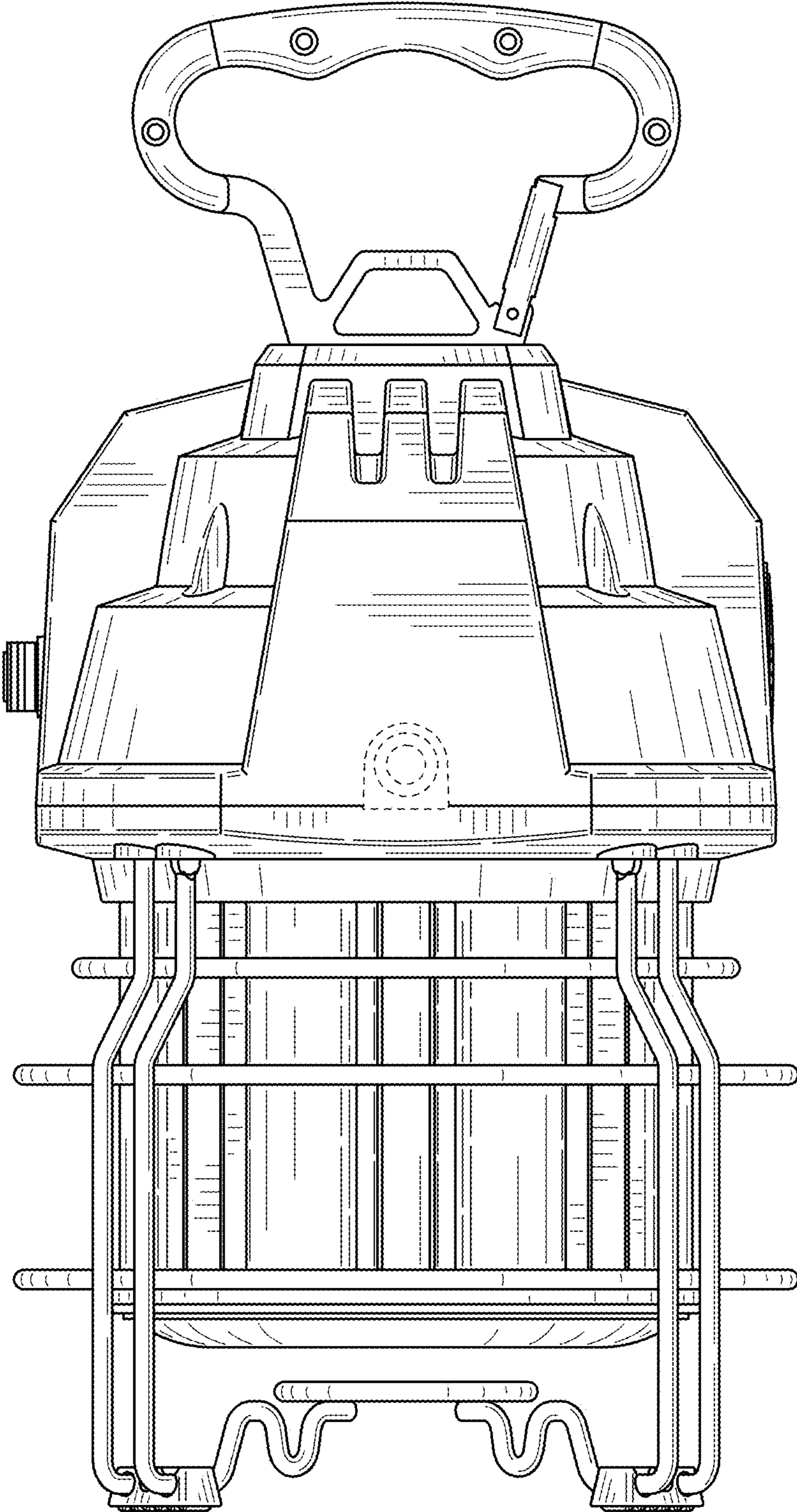


FIG. 3

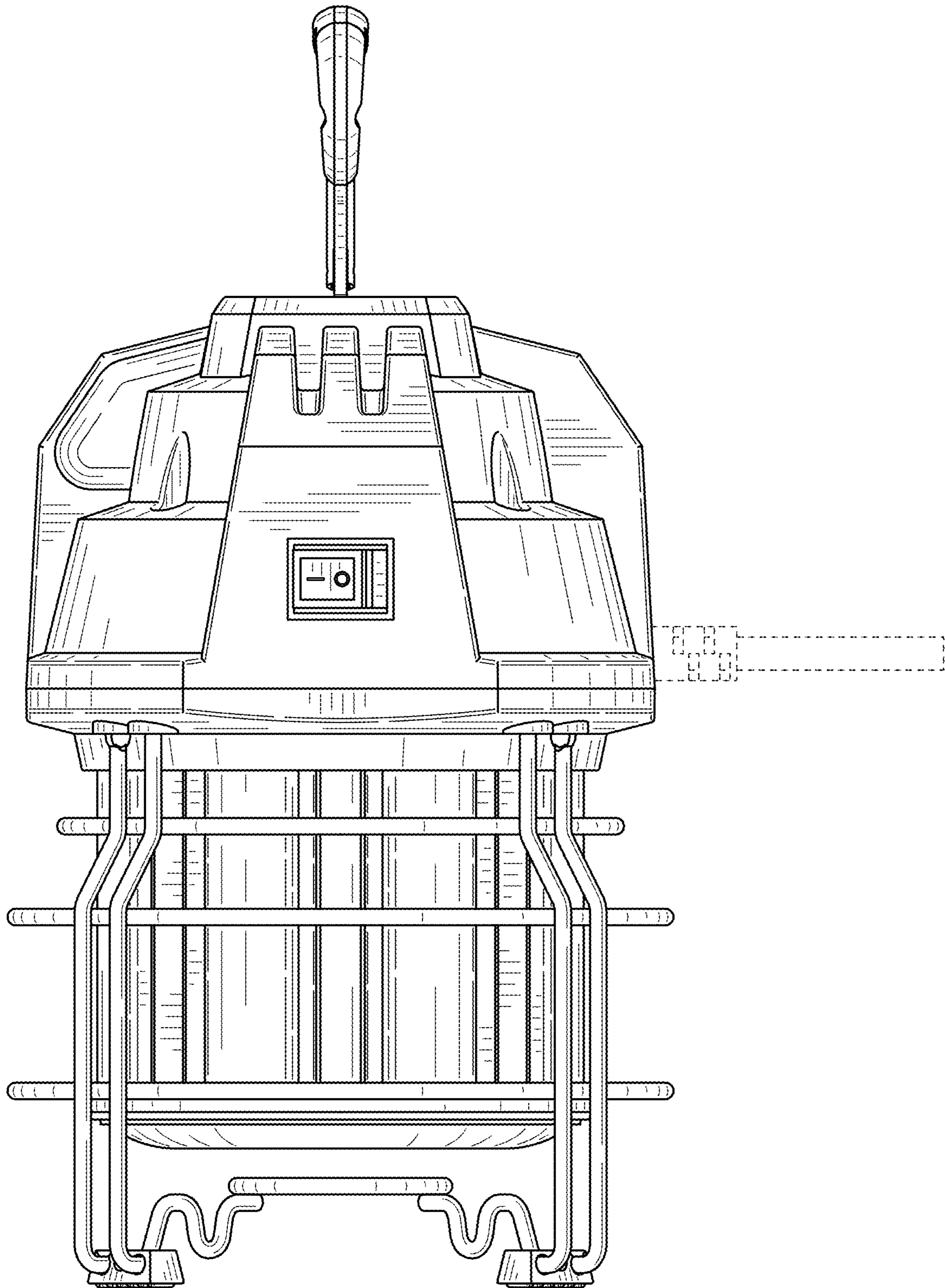


FIG. 4

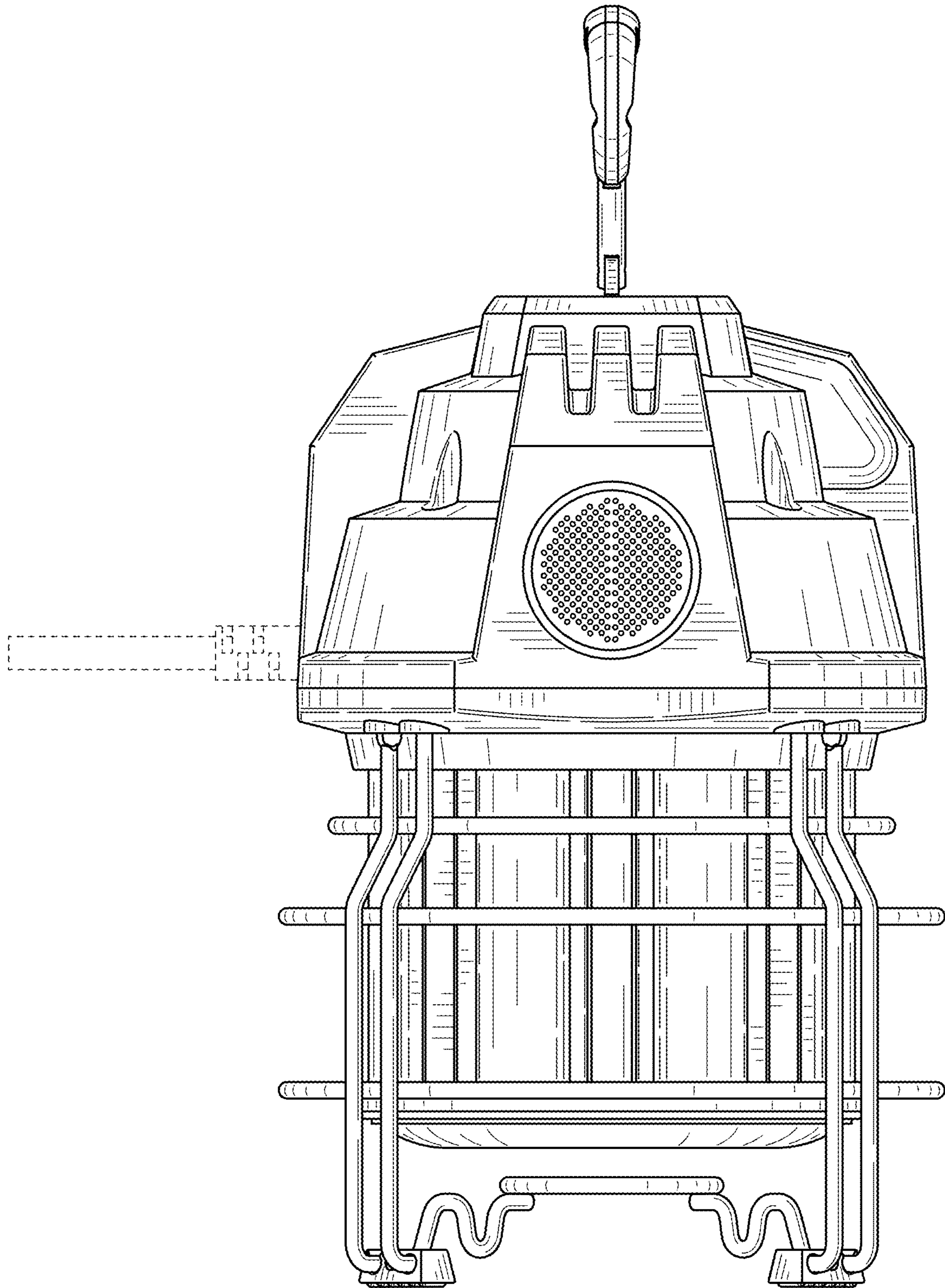


FIG. 5

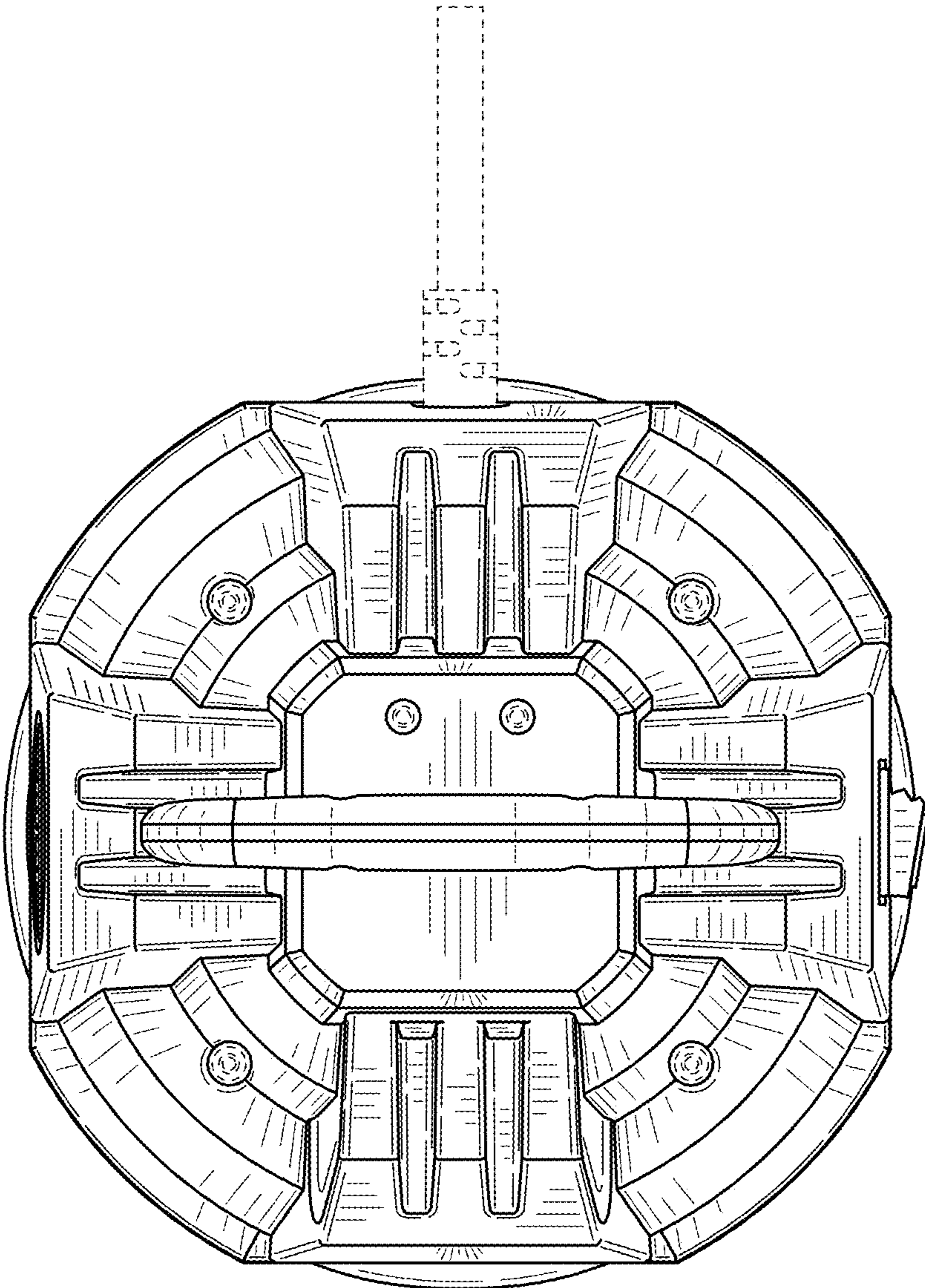


FIG. 6



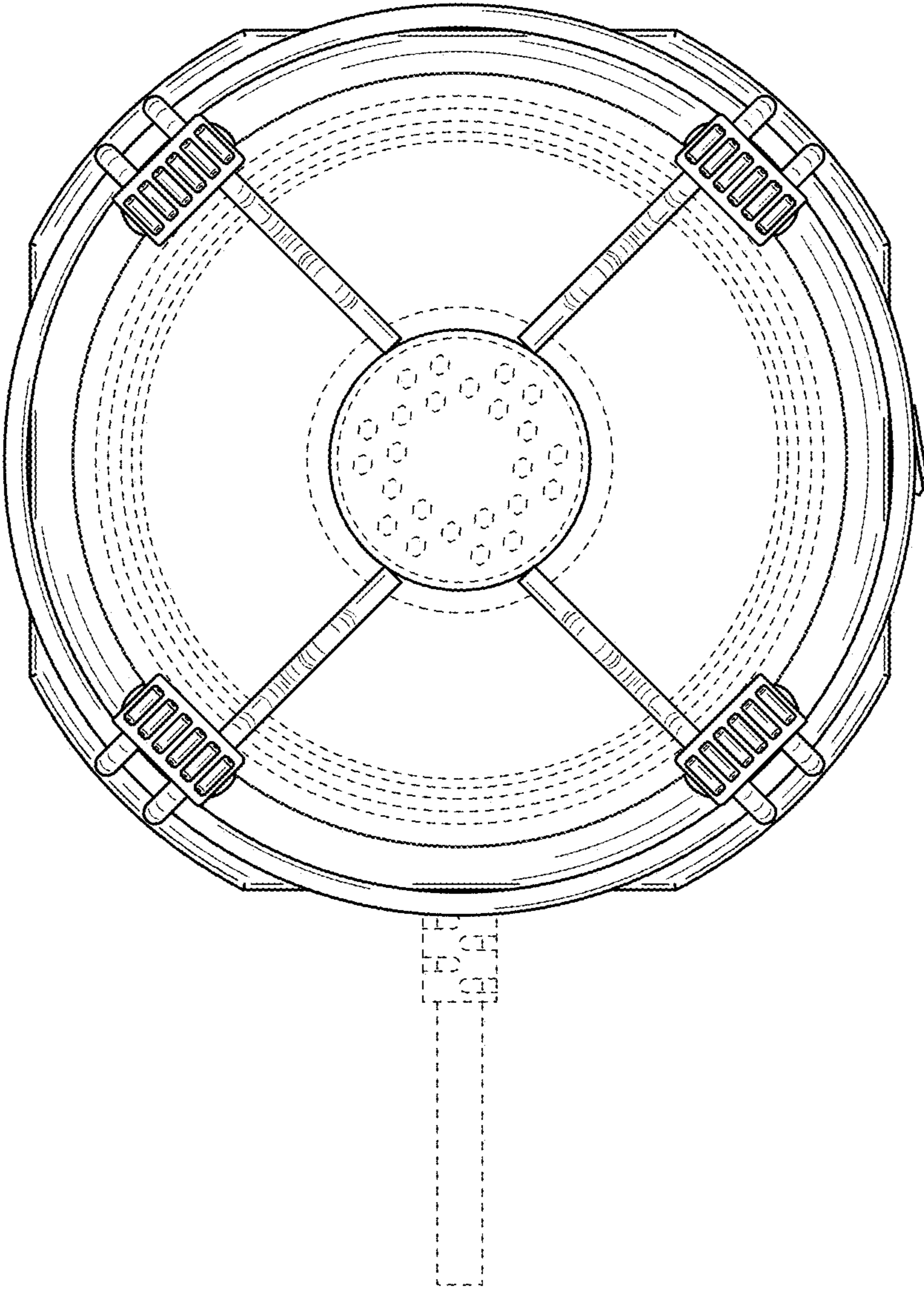


FIG. 7

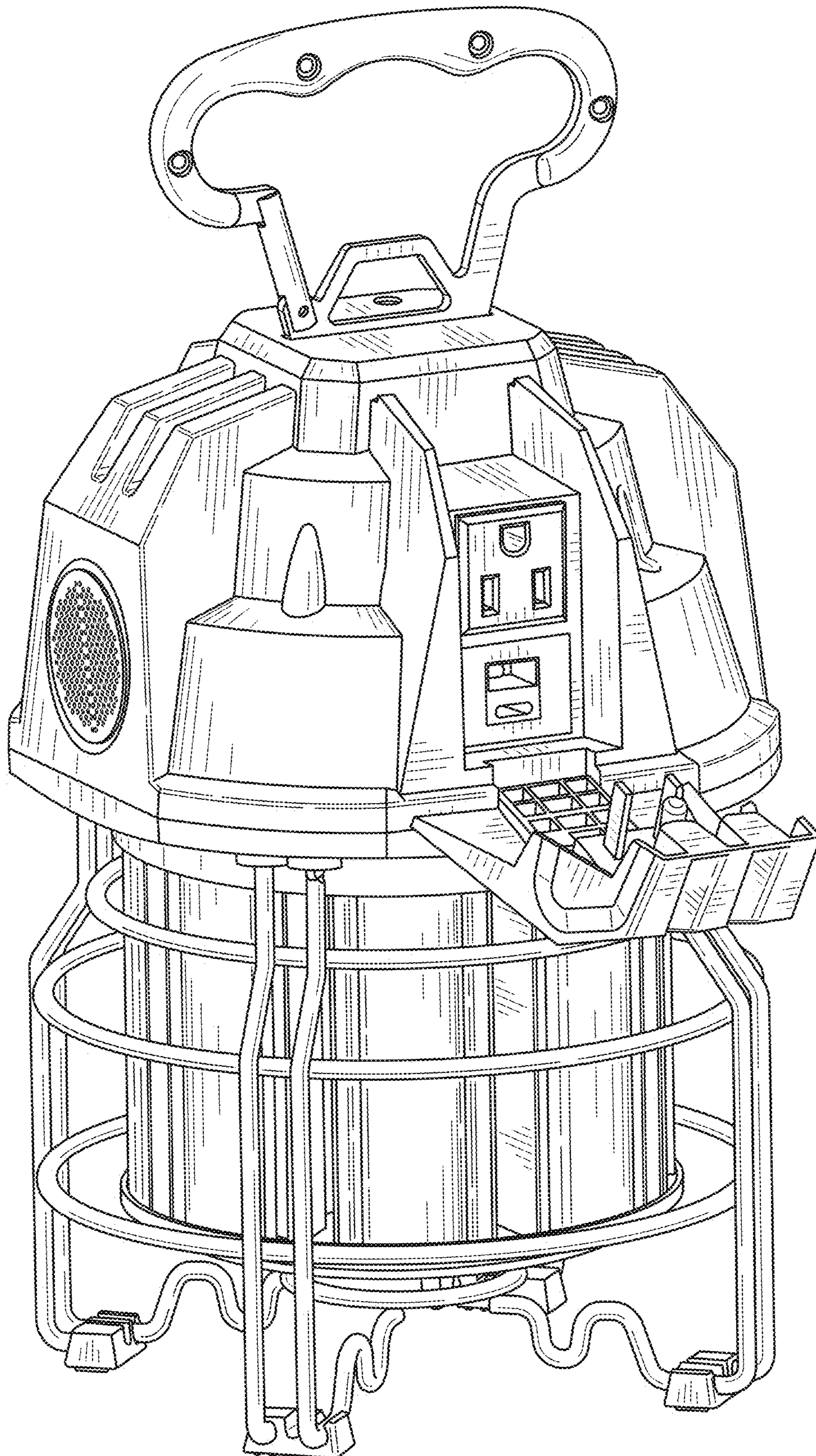


FIG. 8