



US00D956292S

(12) **United States Design Patent**
Bian et al.

(10) **Patent No.:** **US D956,292 S**
(45) **Date of Patent:** **** Jun. 28, 2022**

(54) **LED LIGHT WITH RANGE FINDER**

(71) Applicant: **AEC Lighting Solutions Co., Ltd,**
Shanghai (CN)

(72) Inventors: **Aixia Bian,** Shanghai (CN); **Xun Zhang,** Shanghai (CN)

(73) Assignee: **AEC Lighting Solutions Co., Ltd,**
Shanghai (CN)

(**) Term: **15 Years**

(21) Appl. No.: **29/733,342**

(22) Filed: **Apr. 30, 2020**

(30) **Foreign Application Priority Data**

Feb. 13, 2020 (CN) 202030051117.9

(51) **LOC (13) Cl.** **26-02**

(52) **U.S. Cl.**
USPC **D26/38**

(58) **Field of Classification Search**
USPC D26/24, 37-52, 61, 63, 113, 118-120,
D26/138

CPC G01S 17/10; G01S 7/4816; G01S 17/42;
G01S 17/87; G01S 17/89; G01S 7/4815;
G01S 7/4911; G01S 17/894; G01S
7/4811; G01S 7/4814; G01S 7/484; G01S
7/486; G01S 7/4861; G01S 7/487; G01S
7/497; G01S 17/36; G01S 17/86; G01S
7/4868; G01S 7/4918; G01C 3/08; G01C
3/04; G01C 11/02; G01C 3/10; G02B
7/32; G02B 23/12; G02B 5/003; G02B
5/22; G02B 5/32; G02B 7/36

See application file for complete search history.

(56) **References Cited**

U.S. PATENT DOCUMENTS

D592,339 S * 5/2009 Crawford D26/37
D603,239 S * 11/2009 Kunzendorf D26/38

D778,475 S * 2/2017 Bao D26/65
D791,379 S * 7/2017 Koshiba D26/37
D851,309 S * 6/2019 Sharrah D26/44
D854,207 S * 7/2019 Zheng D26/44
D867,178 S * 11/2019 Deng D10/70
D881,430 S * 4/2020 Mao D26/37
D882,838 S * 4/2020 Mao D26/37
D884,232 S * 5/2020 Liu D26/37
D927,749 S * 8/2021 Dai D26/37
D930,201 S * 9/2021 Shang D26/37
D930,202 S * 9/2021 Shang D26/37
2018/0283623 A1 * 10/2018 Bian F21L 4/02
2019/0017662 A1 * 1/2019 Zheng F21V 21/0885

* cited by examiner

Primary Examiner — Marissa J Cash

Assistant Examiner — William B Melliar

(74) *Attorney, Agent, or Firm* — Jade IP Consulting;
Victoria Jade Bennett

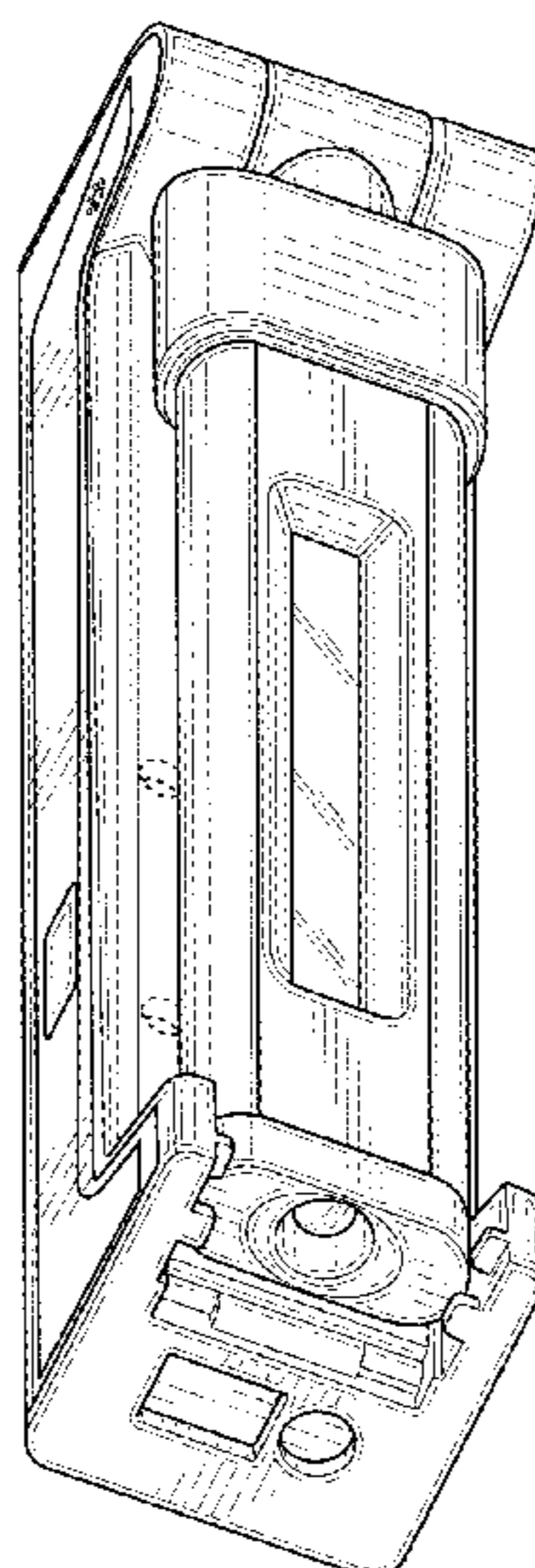
(57) **CLAIM**

The ornamental design for a LED light with range finder, as shown and described.

DESCRIPTION

FIG. 1 is a front elevation view of a LED light with range finder showing our new design;
FIG. 2 is a rear elevation view thereof;
FIG. 3 is a right side view thereof;
FIG. 4 is a left side view thereof;
FIG. 5 is a top plan view thereof;
FIG. 6 is a bottom plan view thereof;
FIG. 7 is a rear perspective view;
FIG. 8 is a front perspective view; and,
FIG. 9 is a rear perspective view thereof showing the LED light with range finder in an open position.
The dashed broken lines in the figures illustrate the portions of the design that form no part of the claimed design.

1 Claim, 6 Drawing Sheets



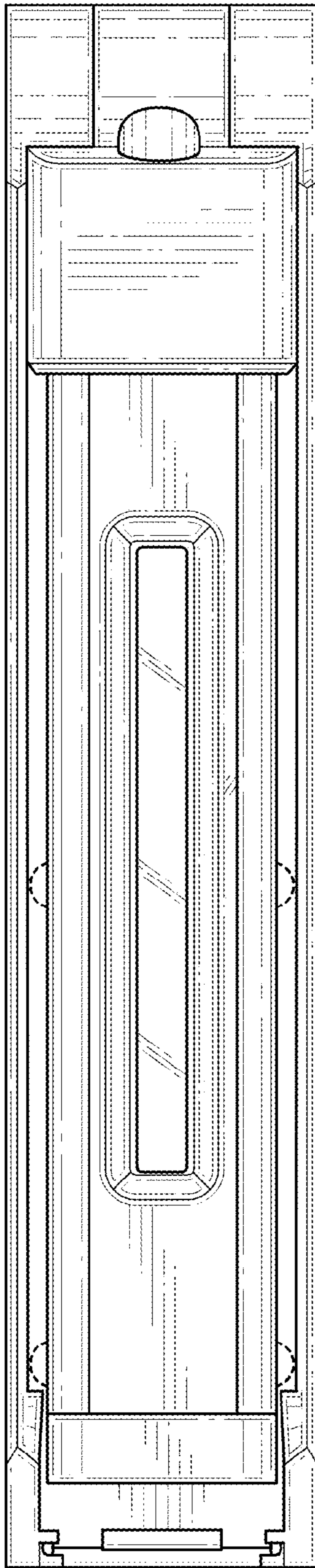


FIG. 1

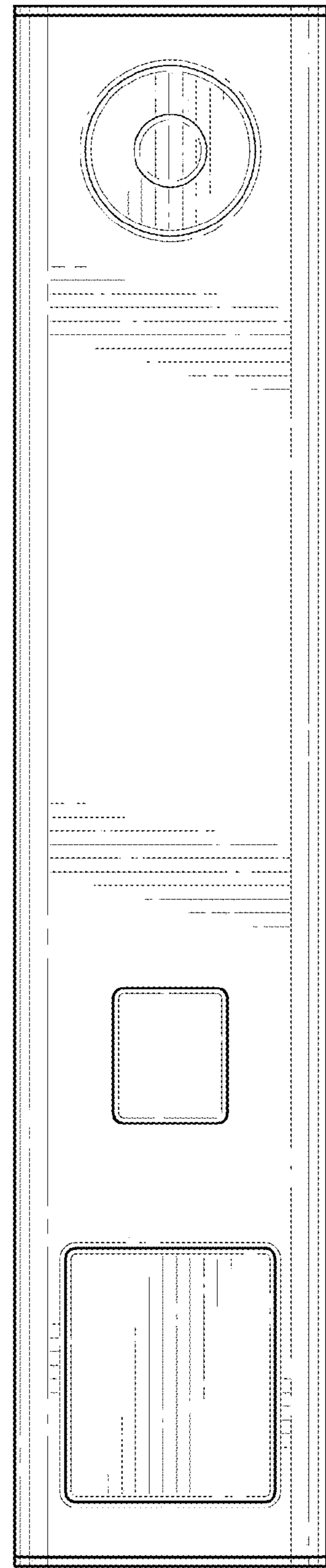


FIG. 2

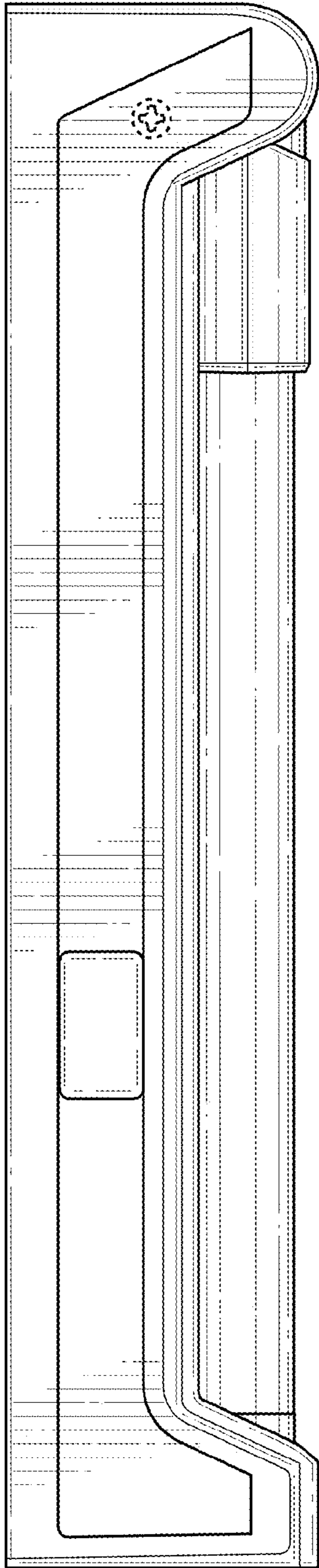


FIG. 3

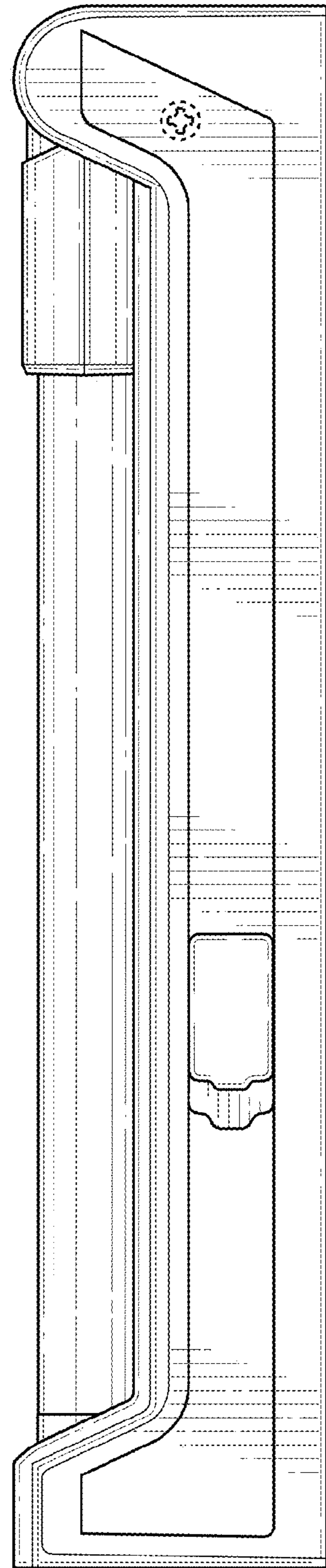


FIG. 4

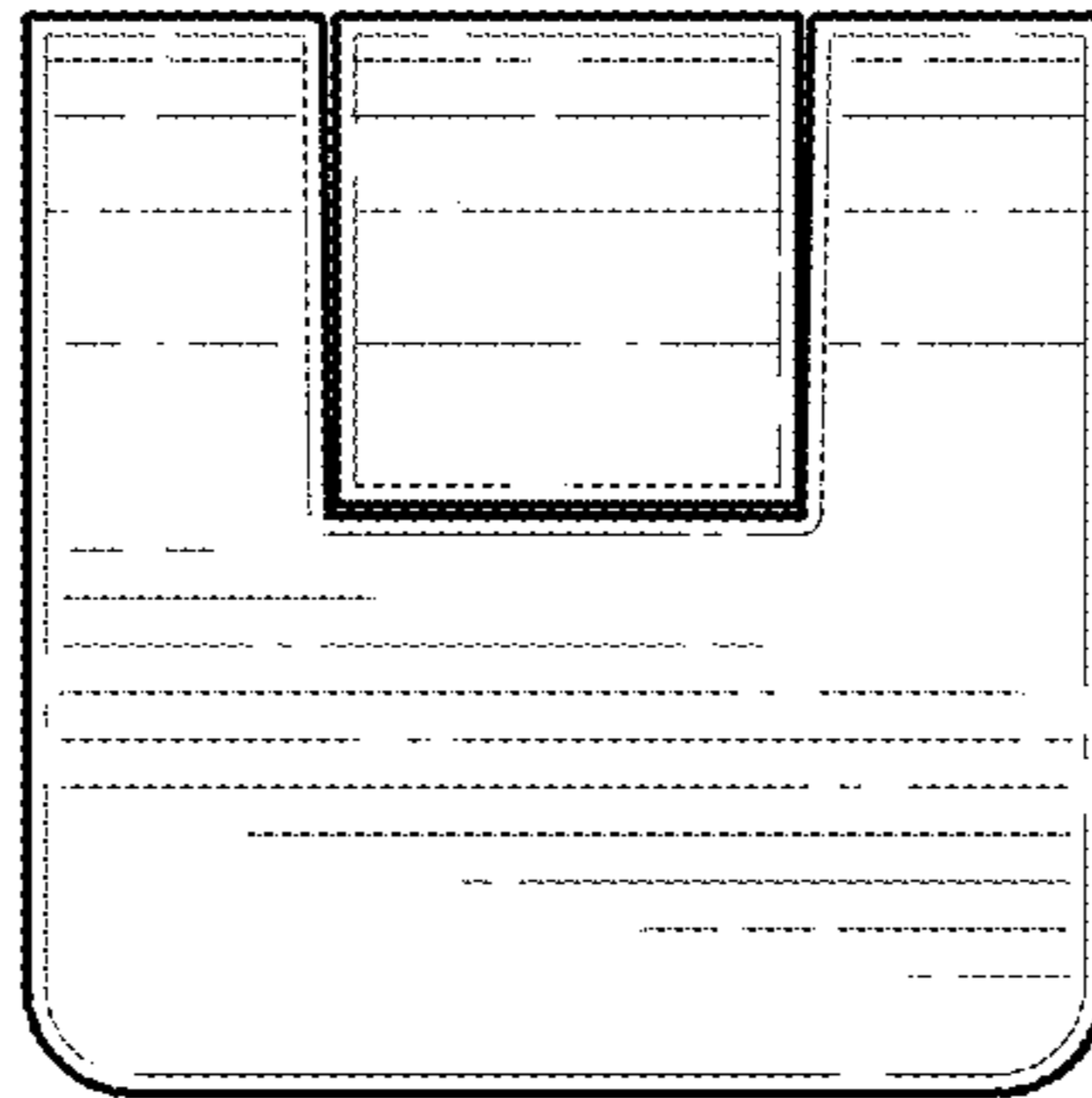


FIG. 5

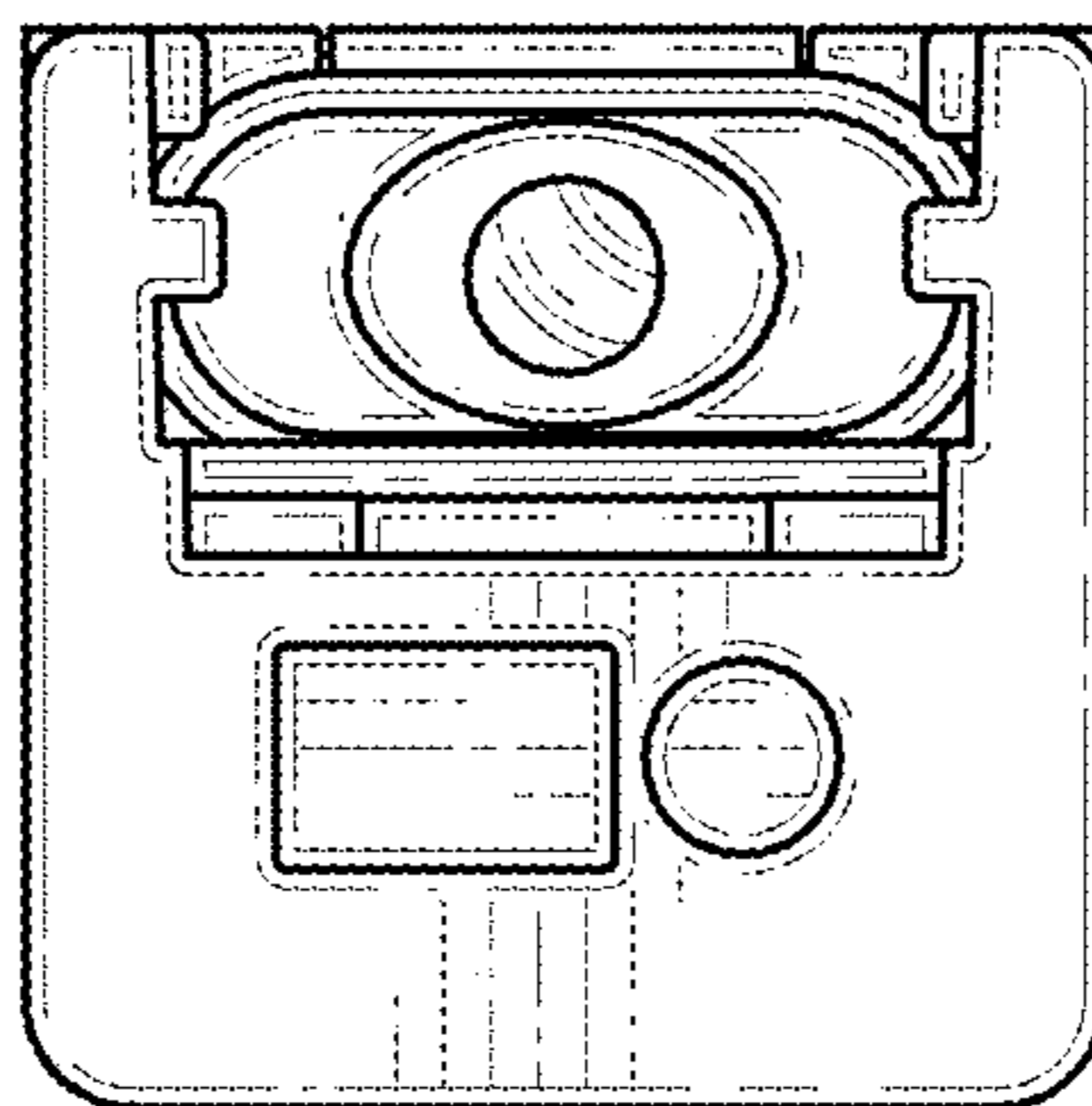


FIG. 6

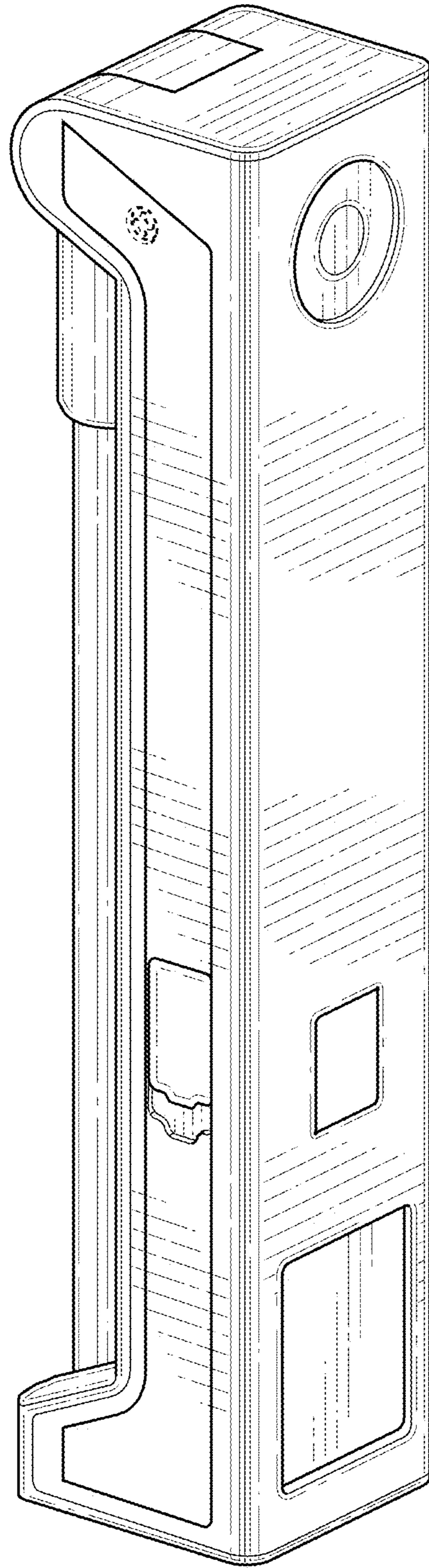


FIG. 7

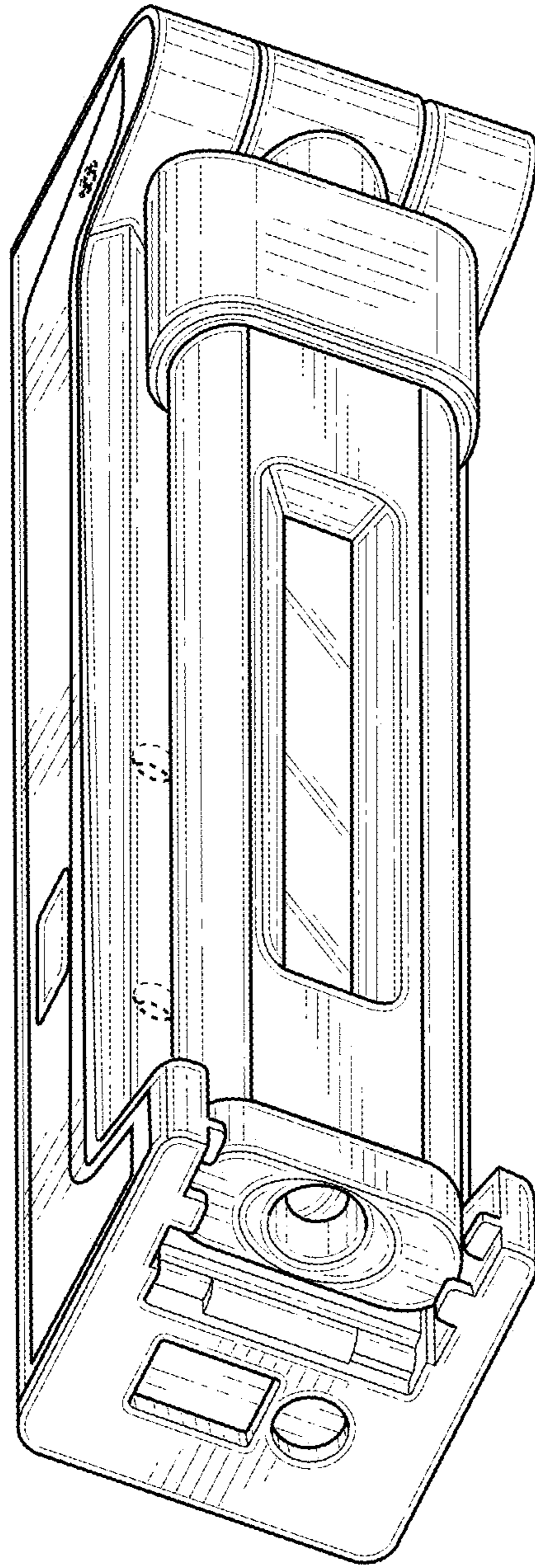


FIG. 8

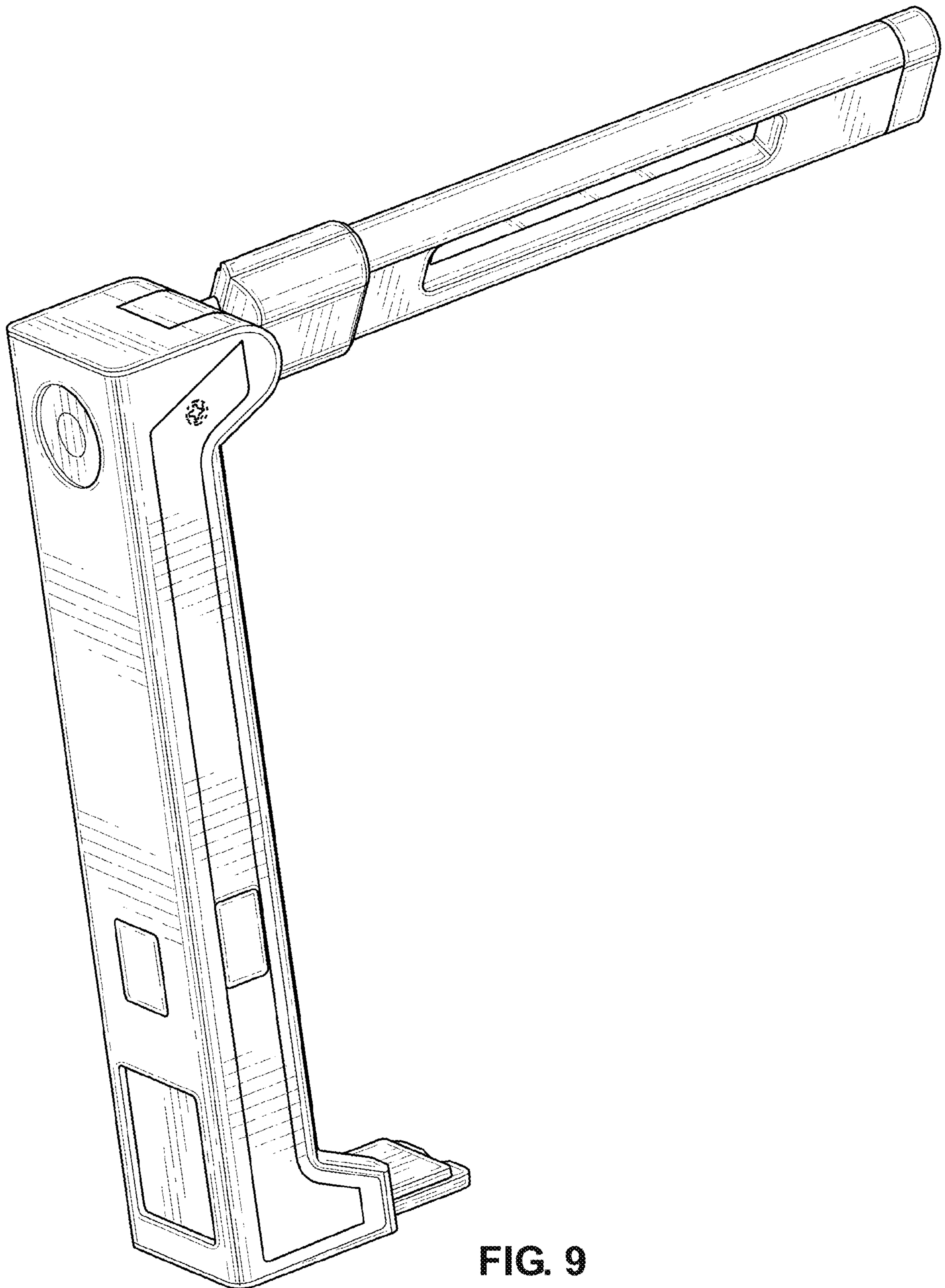


FIG. 9