



US00D956291S

(12) **United States Design Patent** (10) **Patent No.:** **US D956,291 S**
Xu (45) **Date of Patent:** **** Jun. 28, 2022**

(54) **UV STERILIZATION LIGHT**

(71) Applicant: **Tongdi Xu**, Shenzhen (CN)
(72) Inventor: **Tongdi Xu**, Shenzhen (CN)
(73) Assignee: **Shenzhen Pioneer Technology co., Ltd**, Shenzhen (CN)
(**) Term: **15 Years**

(21) Appl. No.: **29/738,301**
(22) Filed: **Jun. 16, 2020**

(30) **Foreign Application Priority Data**

May 21, 2020 (CN) 202030239349.7

(51) **LOC (13) Cl.** **26-02**

(52) **U.S. Cl.**
USPC **D26/37**

(58) **Field of Classification Search**
USPC D26/24, 37-52; D24/217
CPC A61L 2/10; A61L 2202/11; A61L 2202/14;
A61L 2/26; A61L 9/20; A61L 2202/16;
A61L 2/0047; A61L 2209/12
See application file for complete search history.

(56) **References Cited**

U.S. PATENT DOCUMENTS

D532,540 S * 11/2006 Cohen D26/42
D555,818 S * 11/2007 Crawford D26/37
D599,045 S * 8/2009 Castellucci D26/37
D743,594 S * 11/2015 Scazziga D26/37
D923,811 S * 6/2021 Chen D24/217
2001/0042842 A1 * 11/2001 Leighley A61L 2/10
250/455.11
2016/0271288 A1 * 9/2016 Davis A61M 16/0875
2020/0288956 A1 * 9/2020 Tolbert F21V 31/005

OTHER PUBLICATIONS

Mojaworks Microphobe UV Light Sanitizer Wand. By MojaWorks. Dated Nov. 30, 2018. Found online [Mar. 23, 2022]. <https://www.amazon.com/Microphobe-Ultraviolet-Sanitizer-Sanitizing-Portable/dp/B007DK8FKW> (Year: 2018).*
USB Portable UV Light Sterilizer. By Allomn. No date. Found online [Mar. 23, 2022]. <https://www.walmart.com/ip/USB-Portable-UV-Light-Sterilizer-Safe-Germicidal-Lamp-Button-Operated-Disinfect-Light-for-Car-Bedroom-Kitchen-Bathroom/750125554> (Year: 2022).*

* cited by examiner

Primary Examiner — Marissa J Cash
Assistant Examiner — William B Melliar

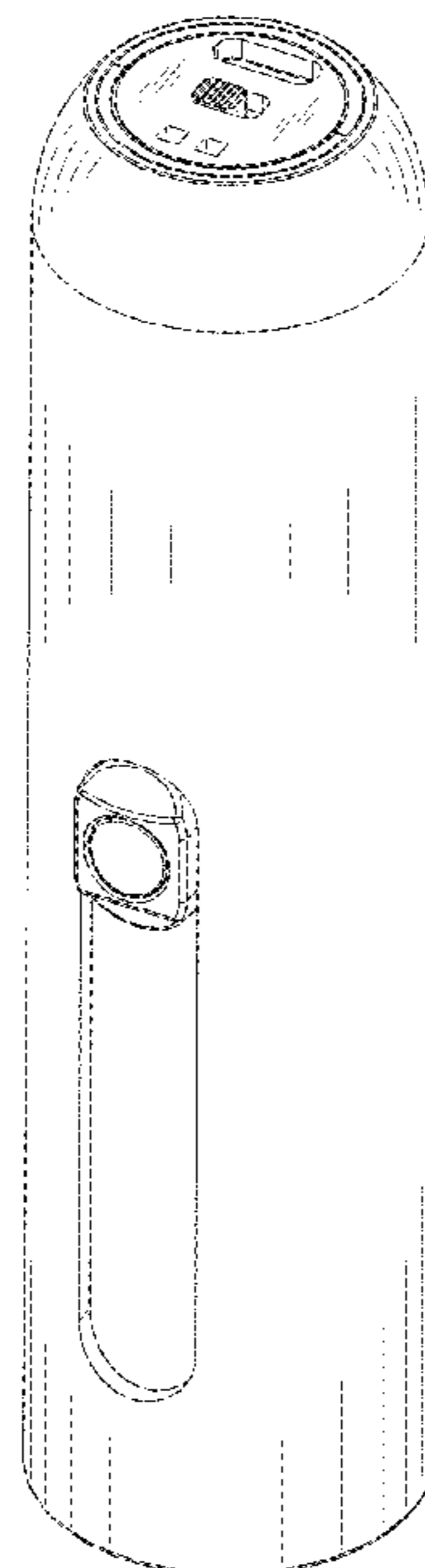
(57) **CLAIM**

The ornamental design for a UV sterilization light, as shown and described.

DESCRIPTION

FIG. 1 is a front, top perspective view of a UV sterilization light showing my new design;
FIG. 2 is a rear, bottom perspective view thereof;
FIG. 3 is a front elevational view thereof;
FIG. 4 is a rear elevational view thereof;
FIG. 5 is a left side elevational view thereof;
FIG. 6 is a right side elevational view thereof;
FIG. 7 is a top plan view thereof;
FIG. 8 is a bottom plan view thereof;
FIG. 9 is a front perspective view of the UV sterilization light shown in an alternate configuration of use; and,
FIG. 10 is a rear perspective view thereof.

1 Claim, 9 Drawing Sheets



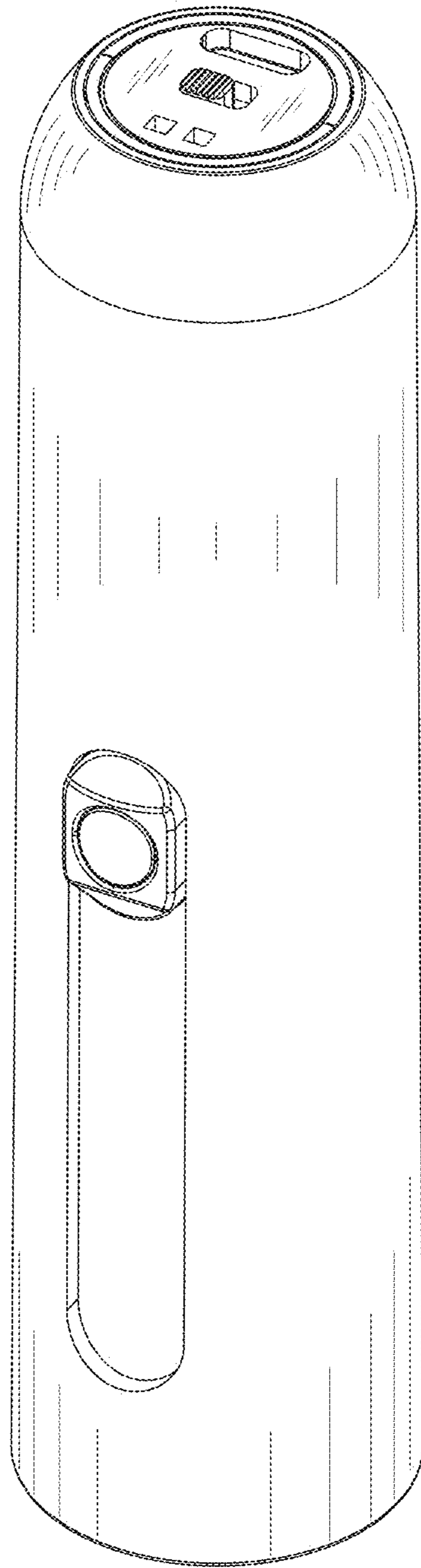


FIG. 1

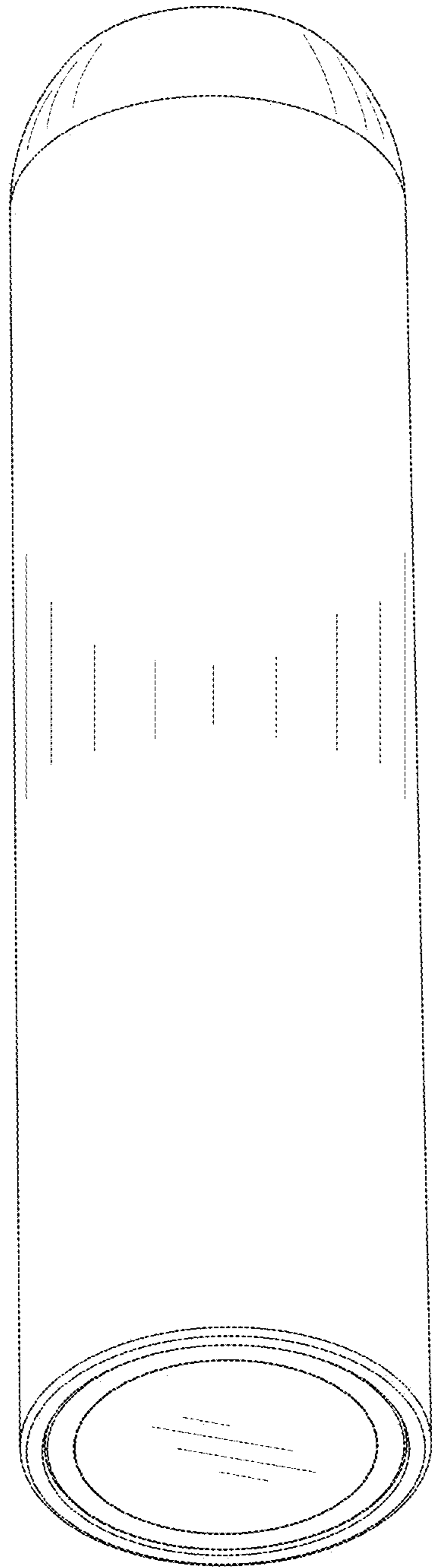


FIG. 2

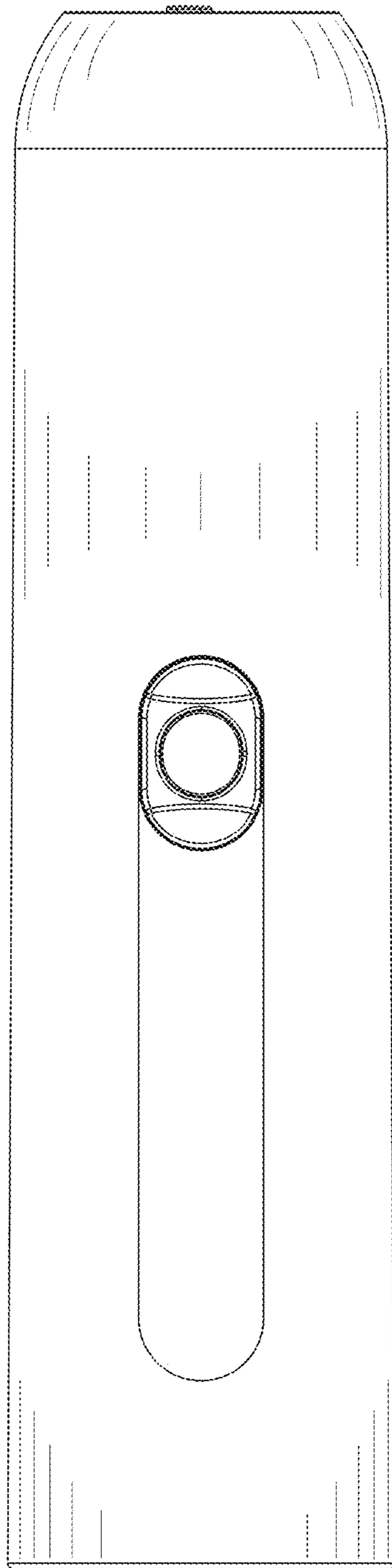


FIG. 3

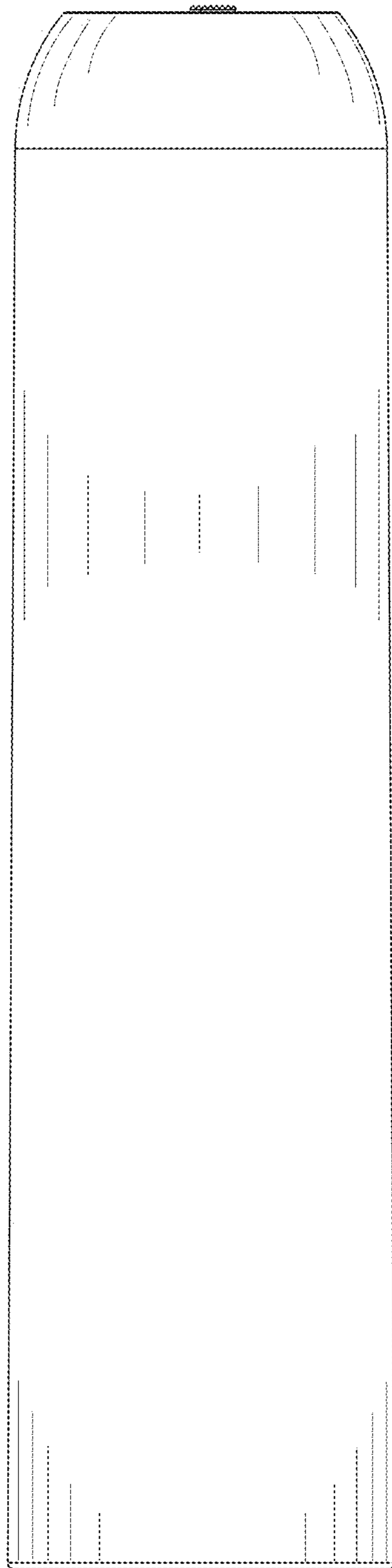


FIG. 4

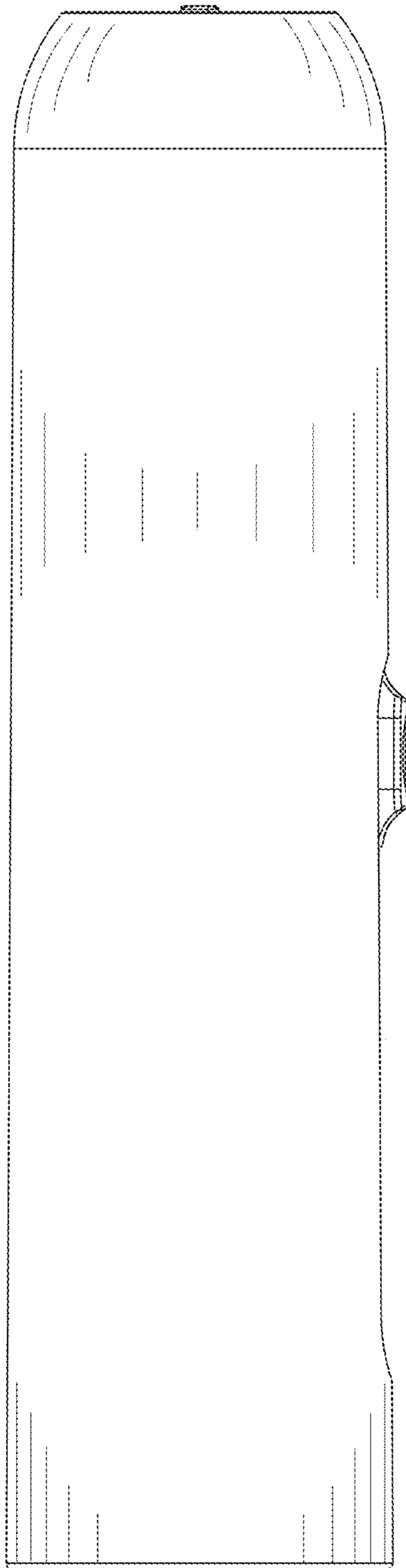


FIG. 5

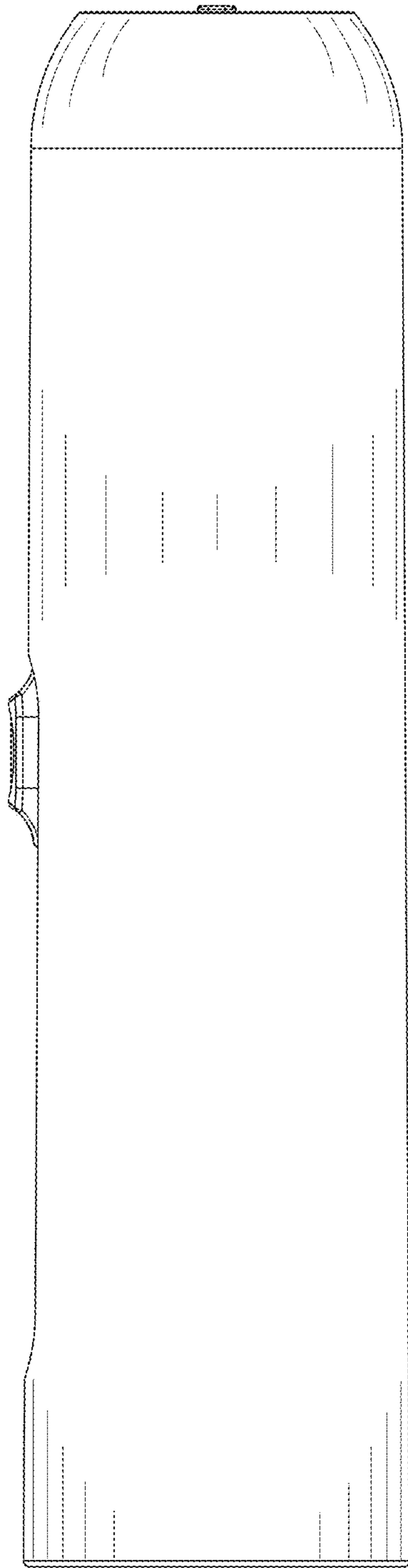


FIG. 6

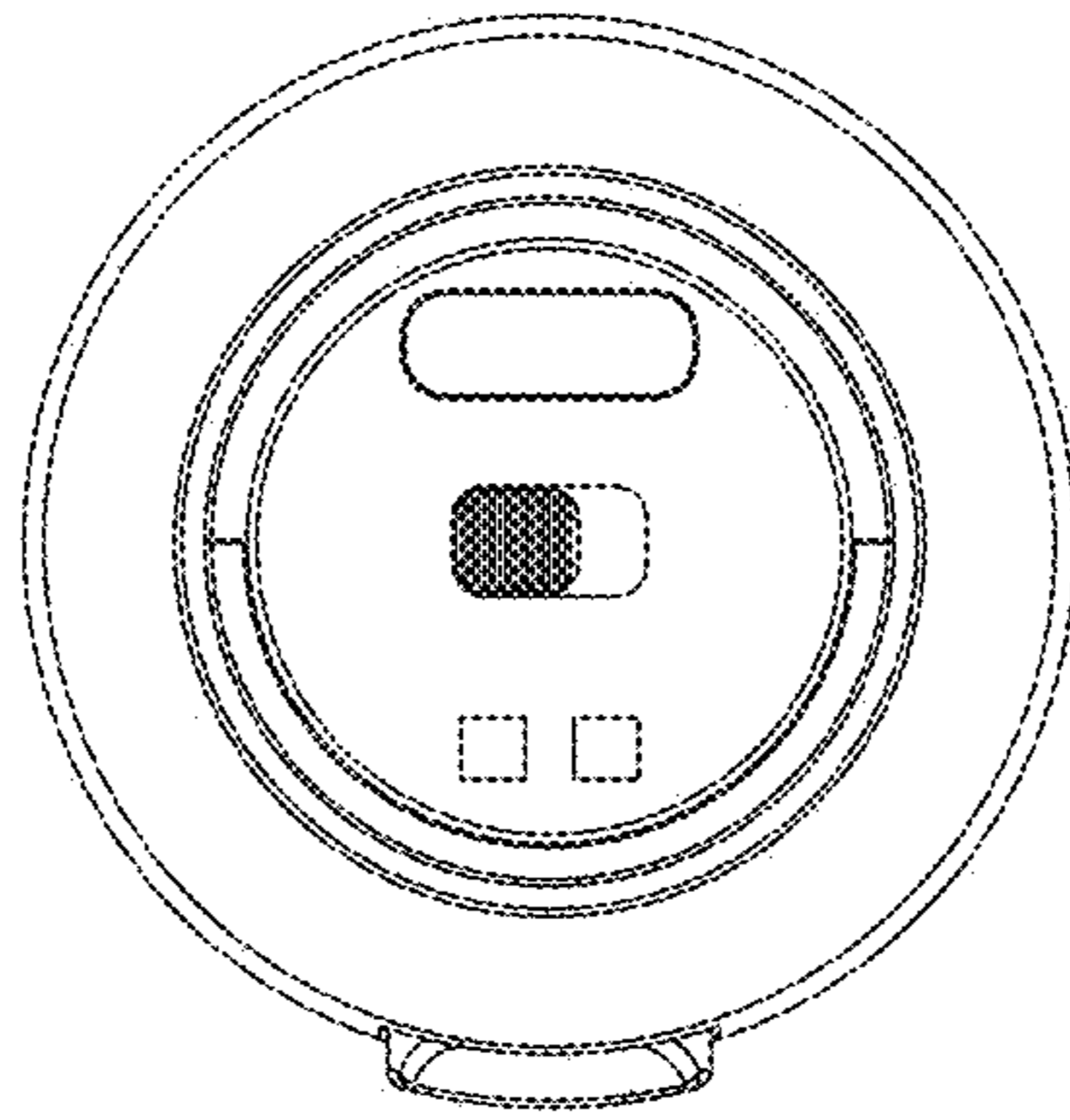


FIG. 7

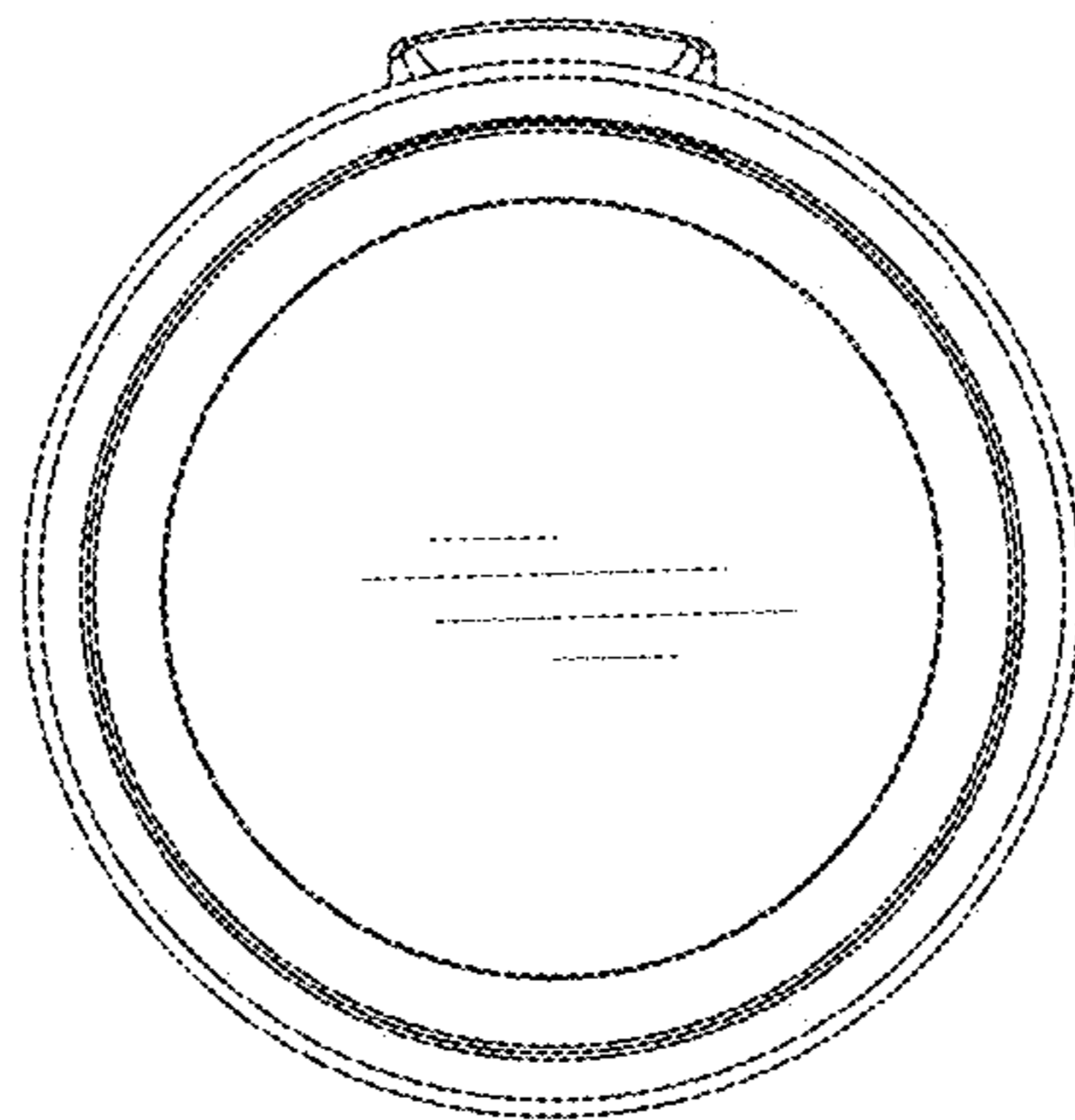


FIG. 8

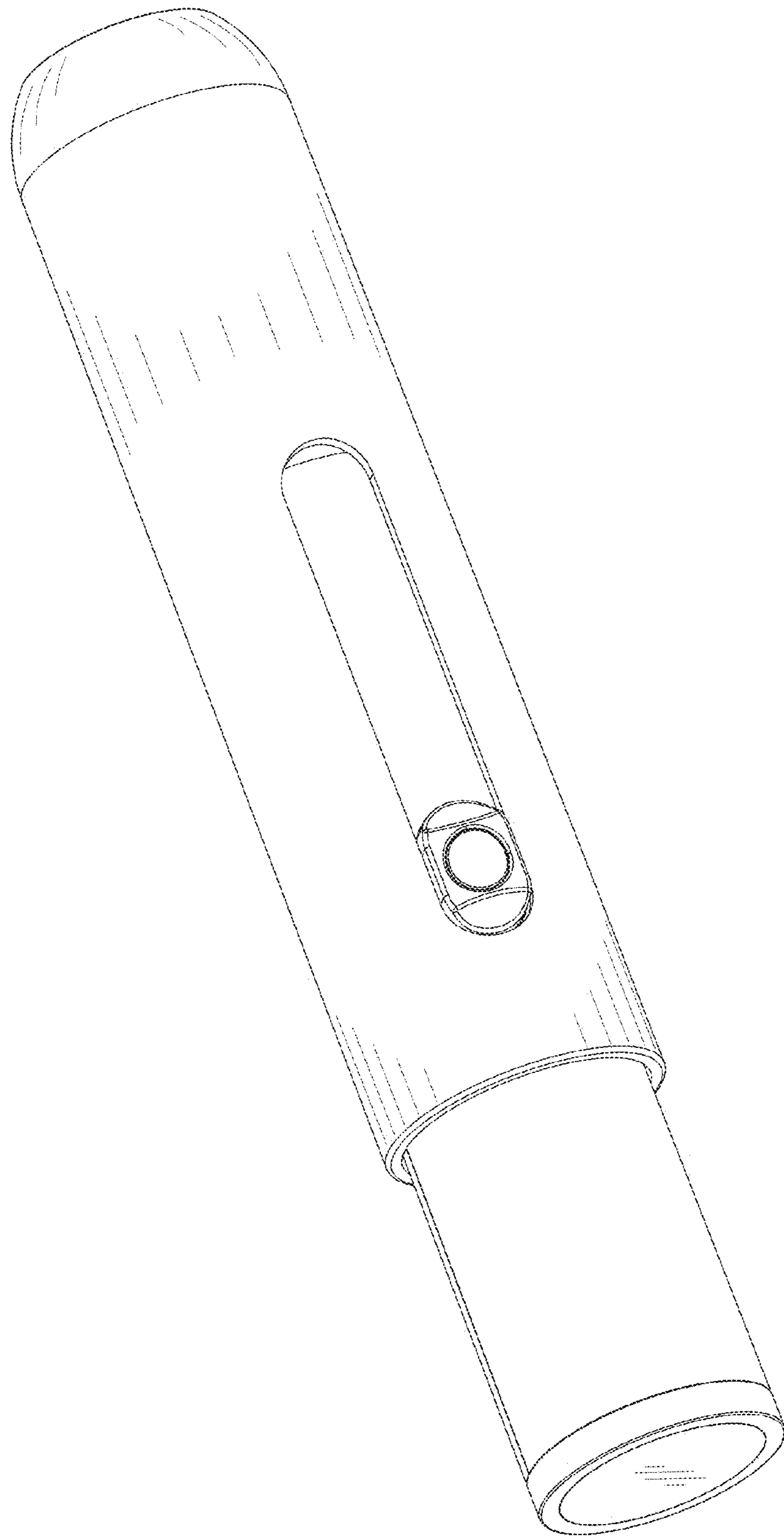


FIG. 9

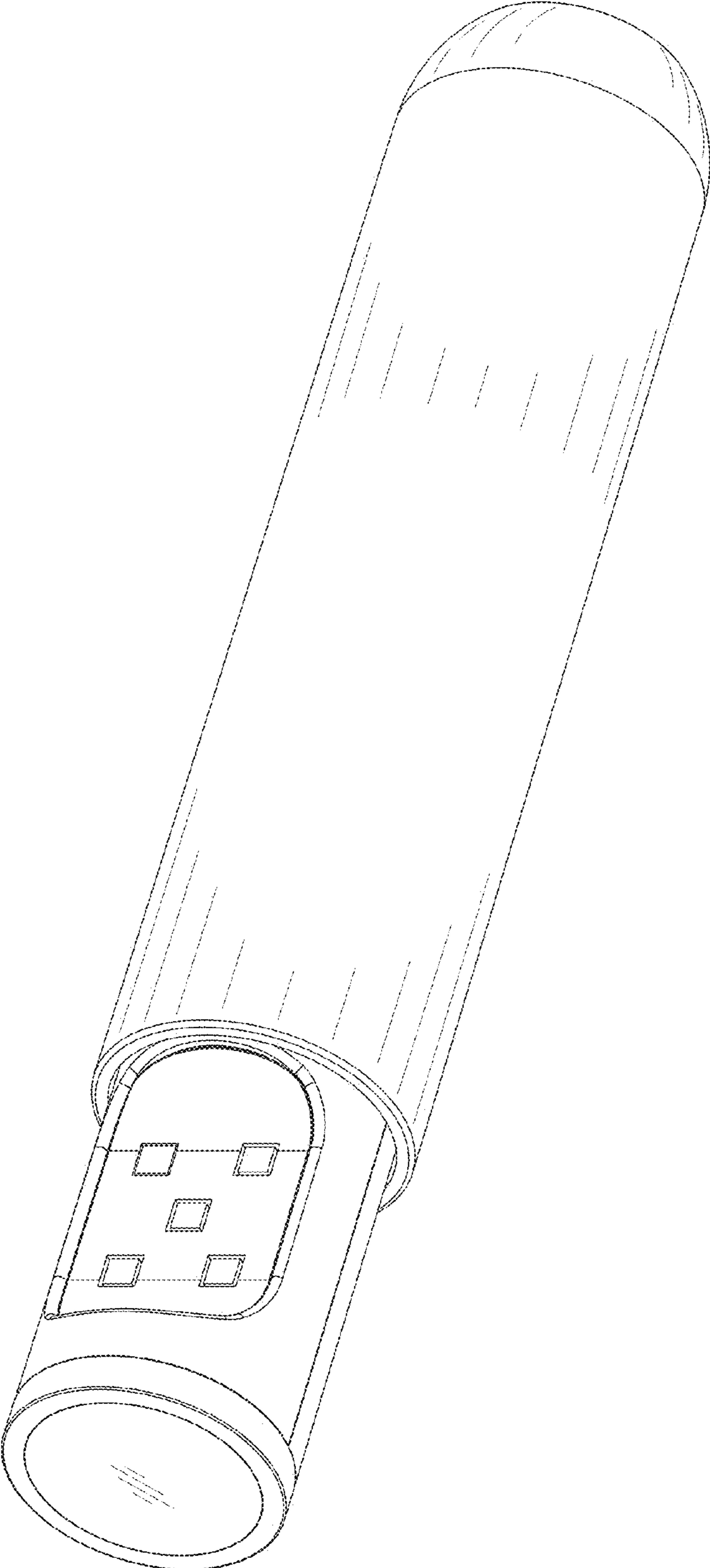


FIG. 10