



US00D956289S

(12) **United States Design Patent** (10) **Patent No.:** **US D956,289 S**
He (45) **Date of Patent:** **** Jun. 28, 2022**

(54) **TRUCK HEADLIGHT**

D889,004 S * 6/2020 Lin D26/28
D905,306 S * 12/2020 Lai D26/28
D907,260 S * 1/2021 He D26/28
D907,817 S * 1/2021 Tonello D26/28

(71) Applicant: **HAICHEN AUTO PARTS CO., LTD.**,
Zhejiang (CN)

* cited by examiner

(72) Inventor: **Qiyu He**, Zhejiang (CN)

Primary Examiner — Marcus A Jackson

(73) Assignee: **HAICHEN AUTO PARTS CO., LTD.**,
Zhejiang (CN)

(74) *Attorney, Agent, or Firm* — Muncy, Geissler, Olds &
Lowe, P.C.

(**) Term: **15 Years**

(21) Appl. No.: **29/755,583**

(57) **CLAIM**

(22) Filed: **Oct. 21, 2020**

The ornamental design for a truck headlight, as shown and described.

(51) **LOC (13) Cl.** **26-06**

(52) **U.S. Cl.**
USPC **D26/28**

DESCRIPTION

(58) **Field of Classification Search**
USPC D26/28–36, 139
CPC F21S 48/00; F21S 48/10; F21S 48/115;
F21S 48/225; F21S 48/1233; F21S
48/1266; F21S 48/1388; F21S 48/2268;
F21V 5/00; F21V 21/04; F21V 29/004;
B60Q 9/13; B60Q 9/135; B60Q 9/1375;
F21W 2102/17; F21W 2103/00; F21W
2103/35; F21W 2103/55; F21W 2107/13;
F21W 2107/17
See application file for complete search history.

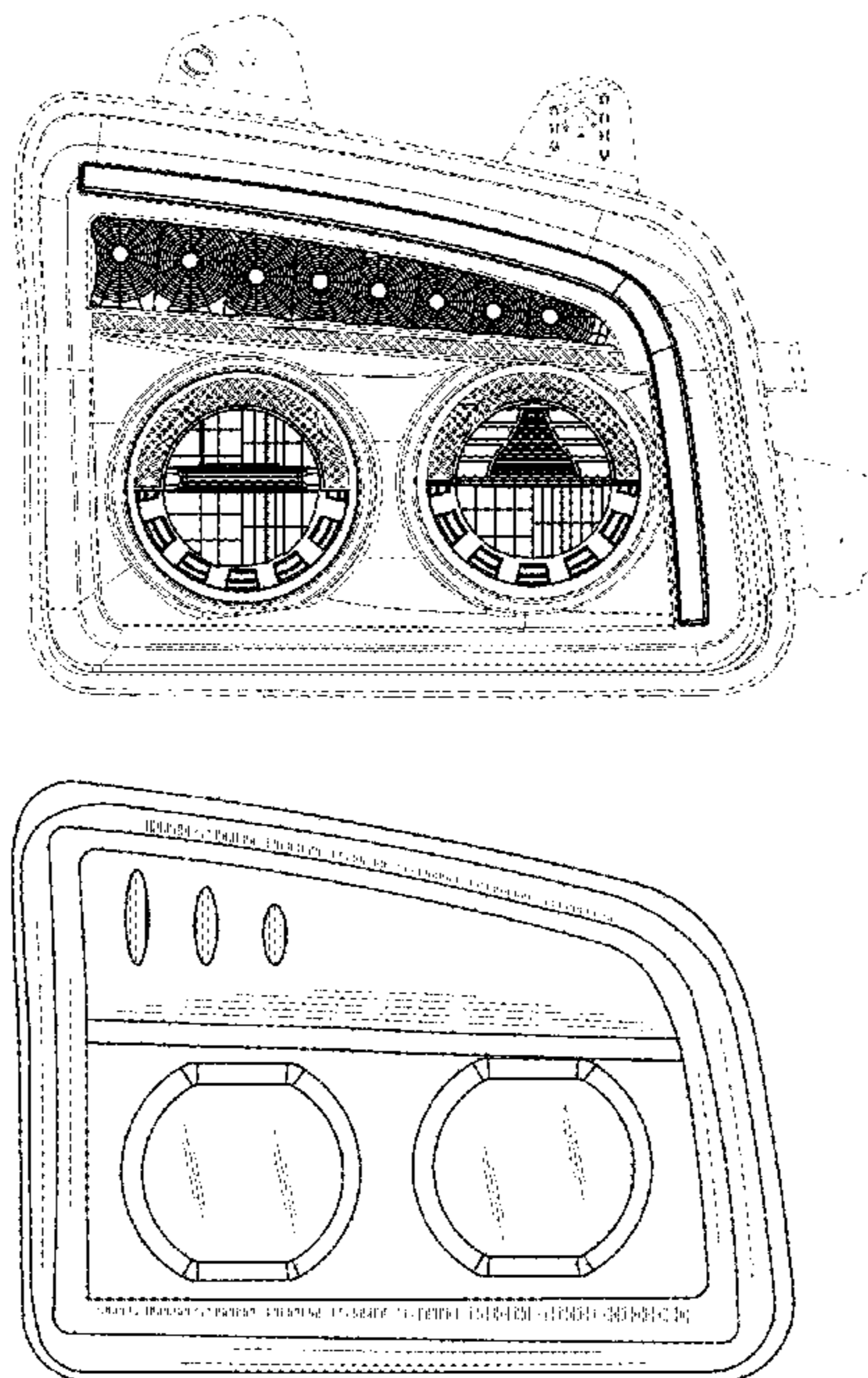
FIG. 1 is a front elevational view of a truck headlight showing my new design, with the front panel shown separately from the rear panel;
FIG. 2 is a front elevational view thereof, of the rear panel only;
FIG. 3 is a front elevational view thereof, of the front and rear panels together;
FIG. 4 is a front elevational view thereof, of the front panel only;
FIG. 5 is a rear elevational view thereof;
FIG. 6 is a front, left perspective view thereof, of the front and rear panels together;
FIG. 7 is a left side elevational view thereof, of the front and rear panels together;
FIG. 8 is a top plan view thereof; and,
FIG. 9 is a bottom plan view thereof.
The broken lines illustrate portions of the truck headlight which form no part of the claimed design.

(56) **References Cited**

U.S. PATENT DOCUMENTS

D691,301 S * 10/2013 Lai D26/28
D720,870 S * 1/2015 Lim D26/28
D842,501 S * 3/2019 Lin D26/28
D844,196 S * 3/2019 Lin D26/28
D851,305 S * 6/2019 Lai D26/28
D859,703 S * 9/2019 Lai D26/28

1 Claim, 9 Drawing Sheets



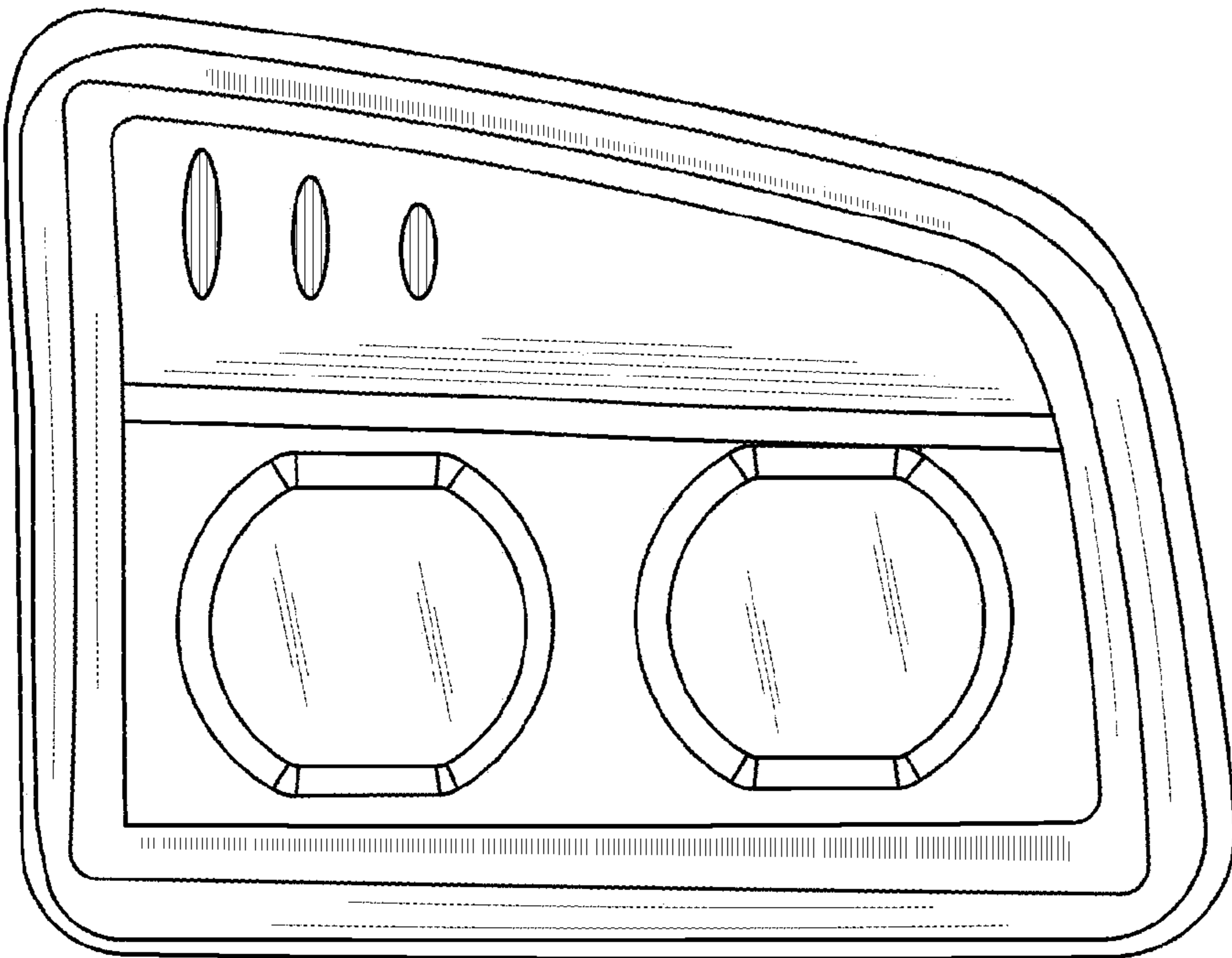
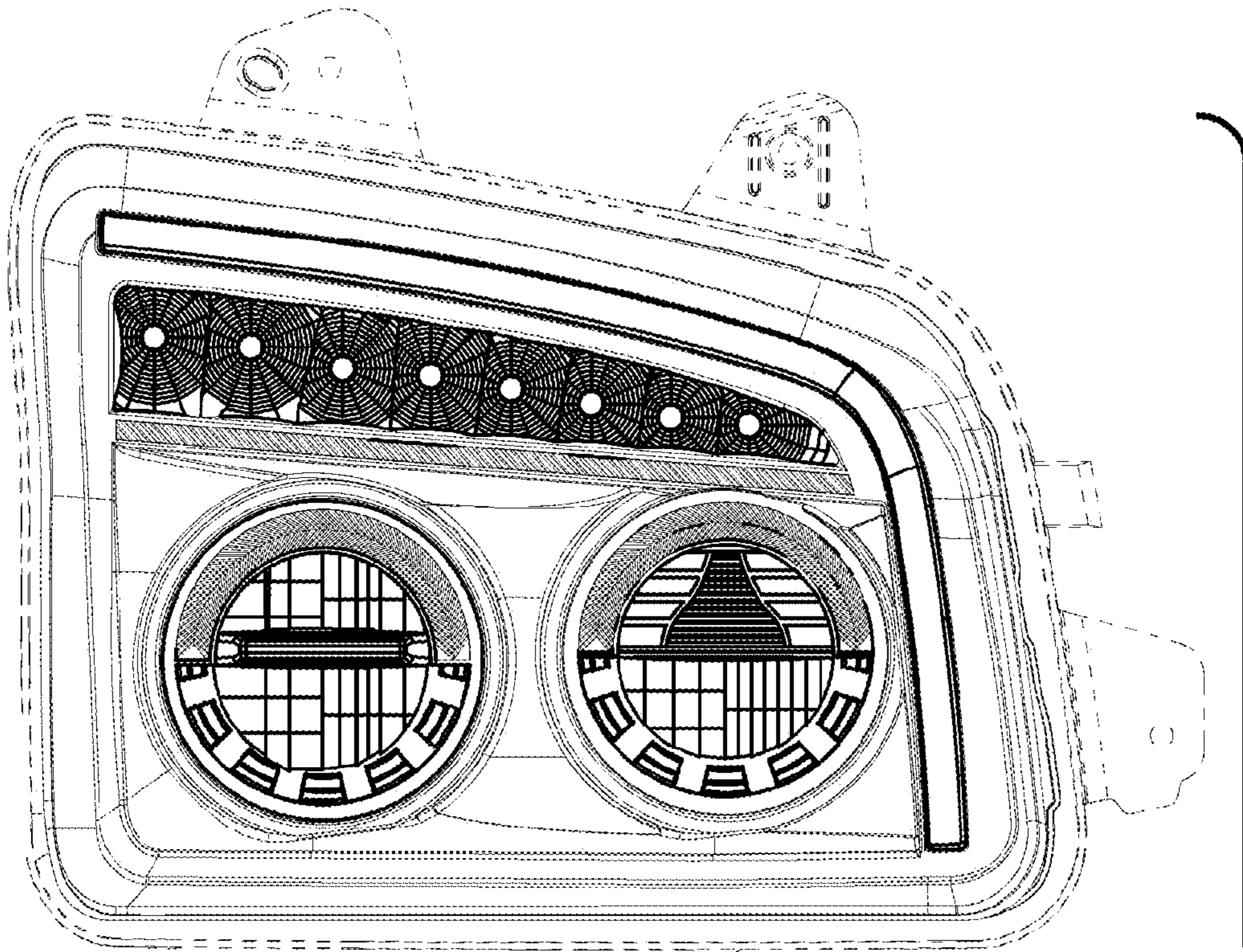


FIG.1

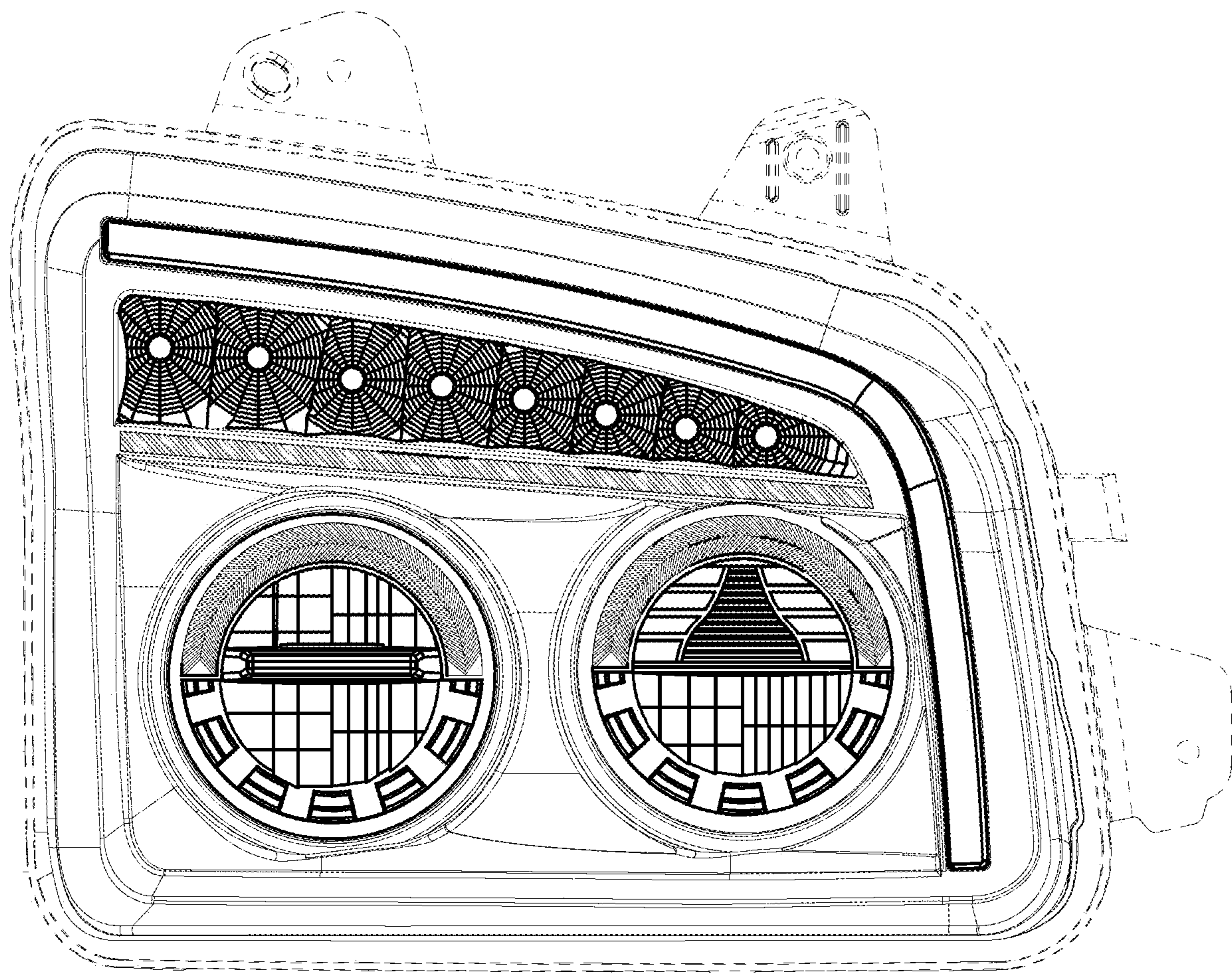


FIG.2

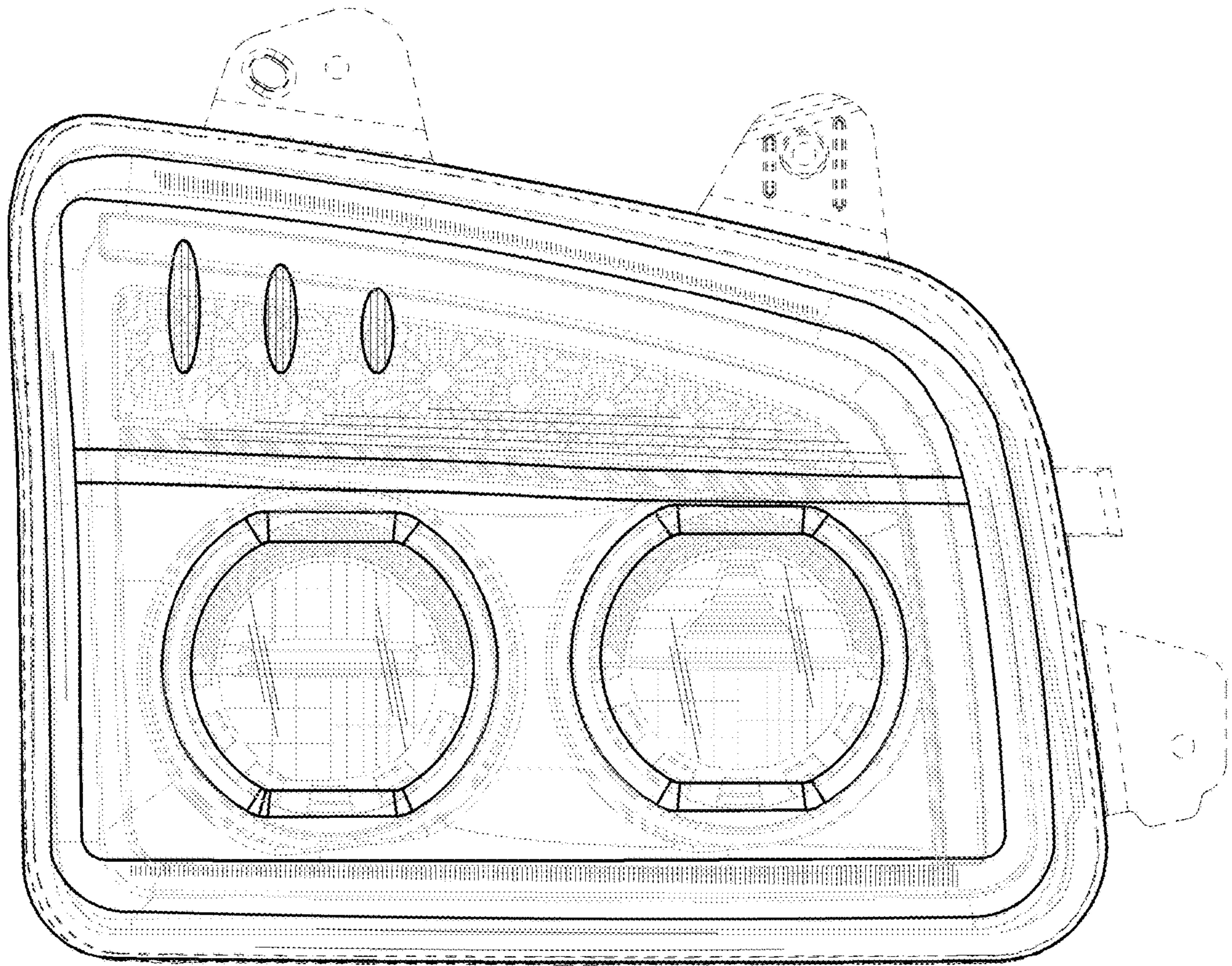


FIG.3

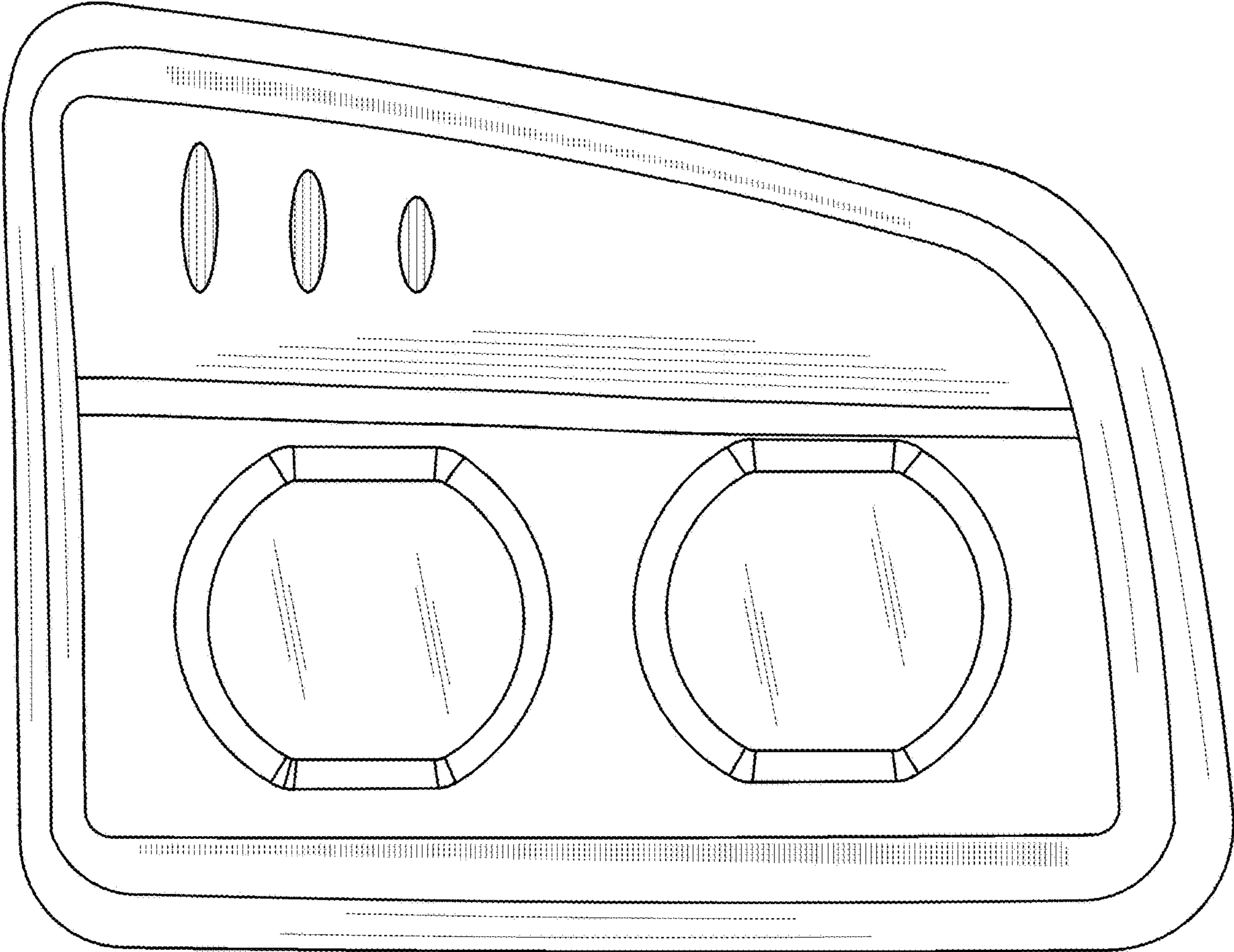


FIG.4

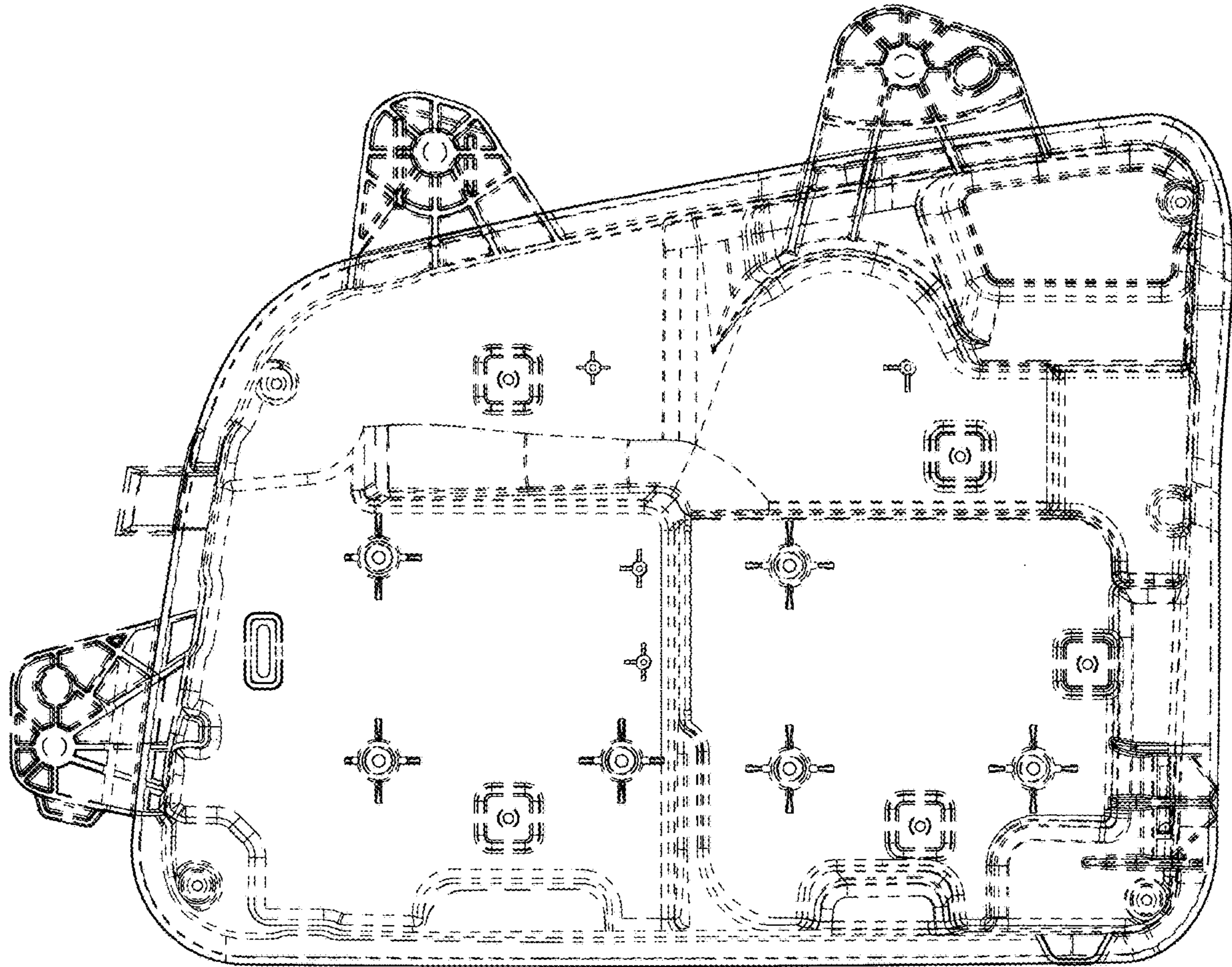


FIG. 5

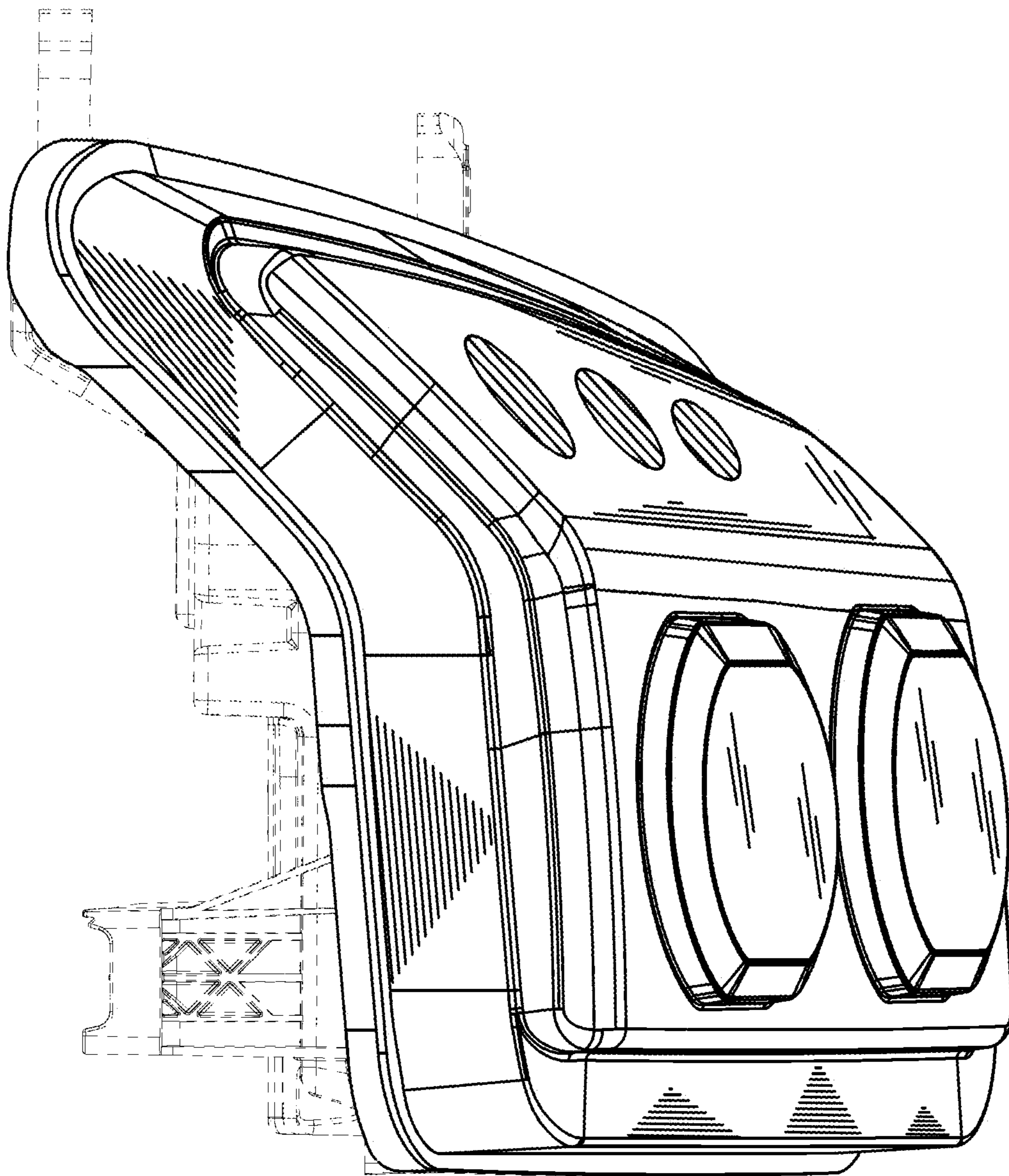


FIG.6

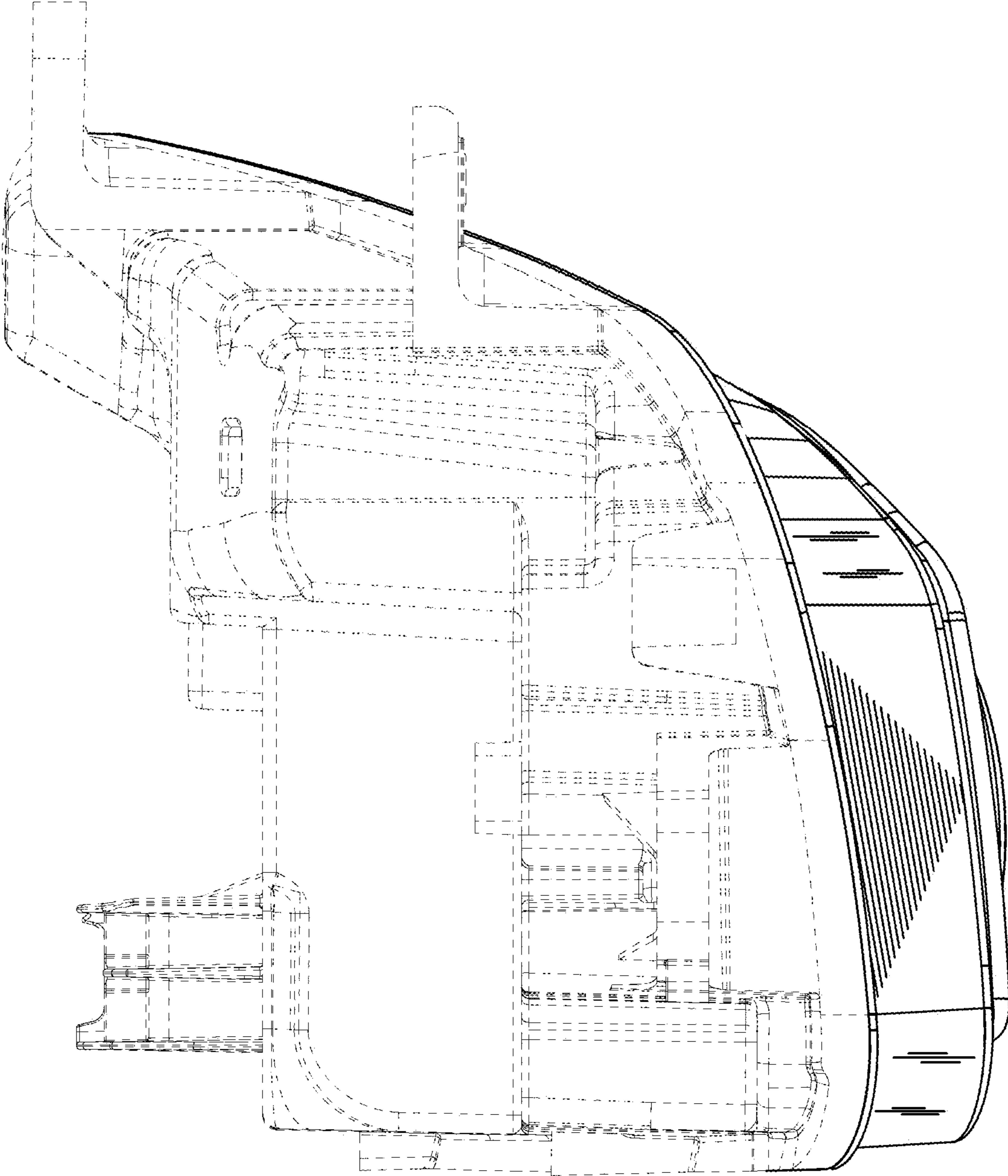


FIG.7

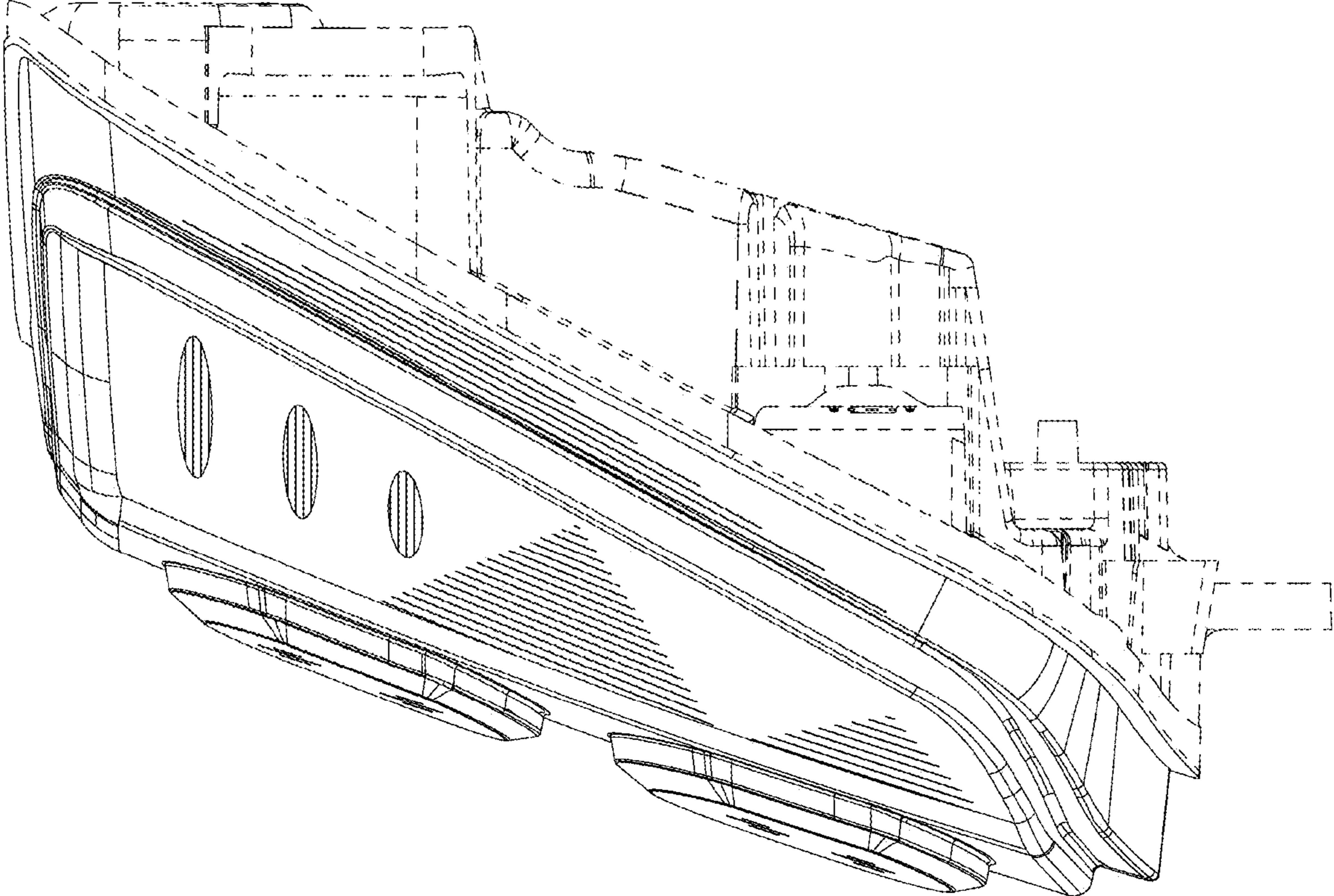


FIG.8

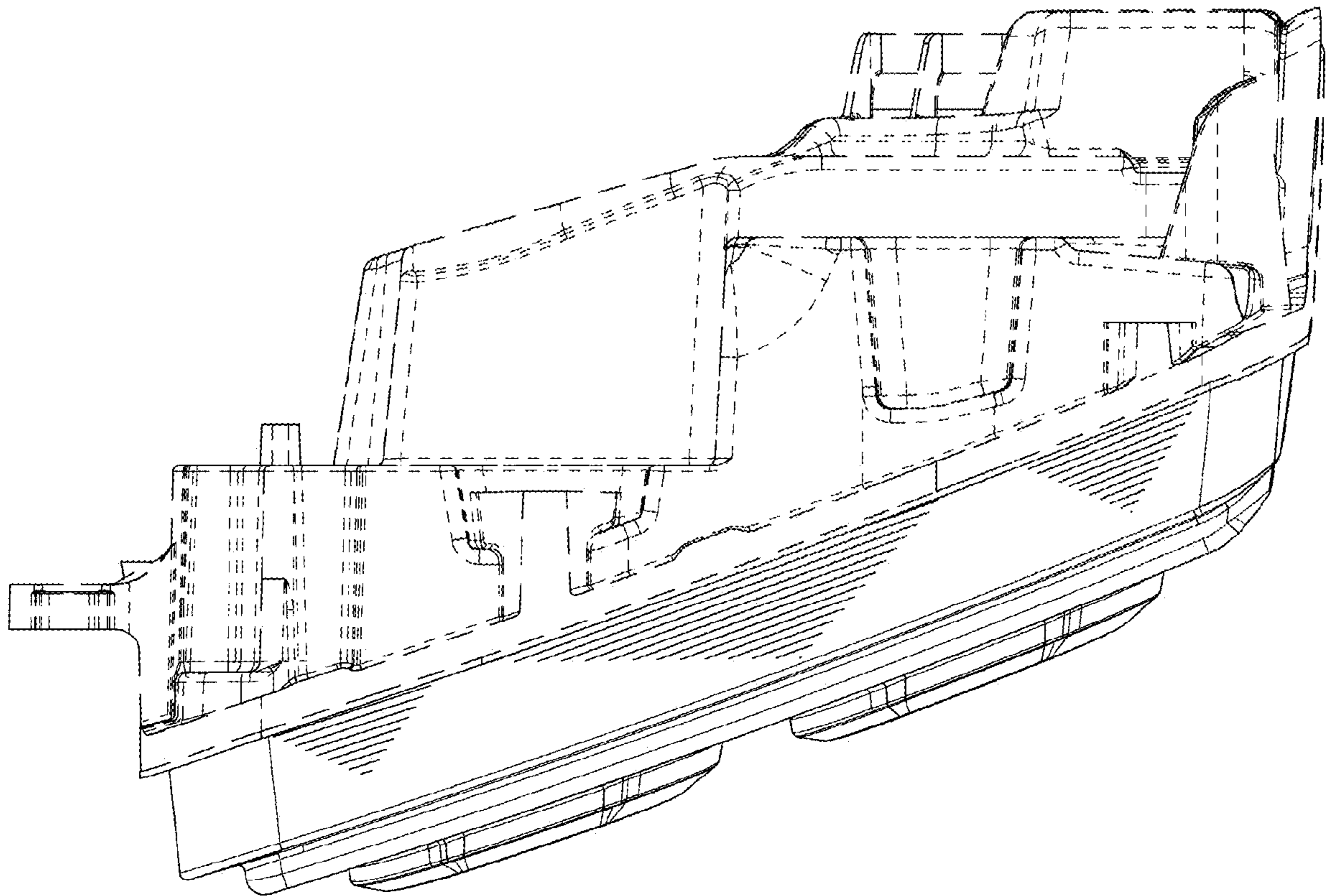


FIG.9