



US00D956278S

(12) **United States Design Patent**  
**Zhao**

(10) **Patent No.:** **US D956,278 S**  
(45) **Date of Patent:** **\*\* Jun. 28, 2022**

(54) **LED LIGHT BULB STRING**  
(71) Applicant: **HongChun Zhao**, ShenZhen (CN)  
(72) Inventor: **HongChun Zhao**, ShenZhen (CN)  
(\*\*) Term: **15 Years**  
(21) Appl. No.: **29/766,285**  
(22) Filed: **Jan. 14, 2021**  
(51) **LOC (13) Cl.** ..... **26-04**  
(52) **U.S. Cl.**  
USPC ..... **D26/25**  
(58) **Field of Classification Search**  
USPC ..... D26/24, 25, 42, 43, 61, 88, 107, 113,  
D26/118, 119; D13/133  
CPC ..... F21S 4/00; F21S 4/10; F21S 4/15; F21S  
4/20; F21S 4/22; F21S 4/24; F21S 4/26;  
F21S 8/00; F21S 8/06; F21S 8/063; F21S  
2/00; F21S 2/005; F21V 21/00; F21V  
21/02; F21V 21/008; F21V 19/00; F21V  
19/008; F21V 15/00; F21V 15/01; F21Y  
2103/00  
See application file for complete search history.

(56) **References Cited**  
U.S. PATENT DOCUMENTS  
D243,933 S \* 4/1977 Johns ..... D10/111  
6,371,637 B1 4/2002 Atchinson et al.  
6,566,824 B2 5/2003 Panagotacos et al.  
D720,307 S 12/2014 Freeman  
D768,892 S \* 10/2016 Lockart ..... D26/25  
9,559,267 B2 1/2017 Amo et al.  
D825,793 S 8/2018 Lentz  
D843,612 S 3/2019 Hodohara et al.  
D844,183 S 3/2019 Nakanishi  
D844,576 S 4/2019 Miura  
D858,809 S 9/2019 Kang  
D863,060 S 10/2019 Ou  
D863,606 S \* 10/2019 Ou ..... D26/1

10,454,009 B2 \* 10/2019 Altamura ..... F21S 4/10  
D873,445 S 1/2020 Chen  
D888,293 S 6/2020 Xie  
(Continued)

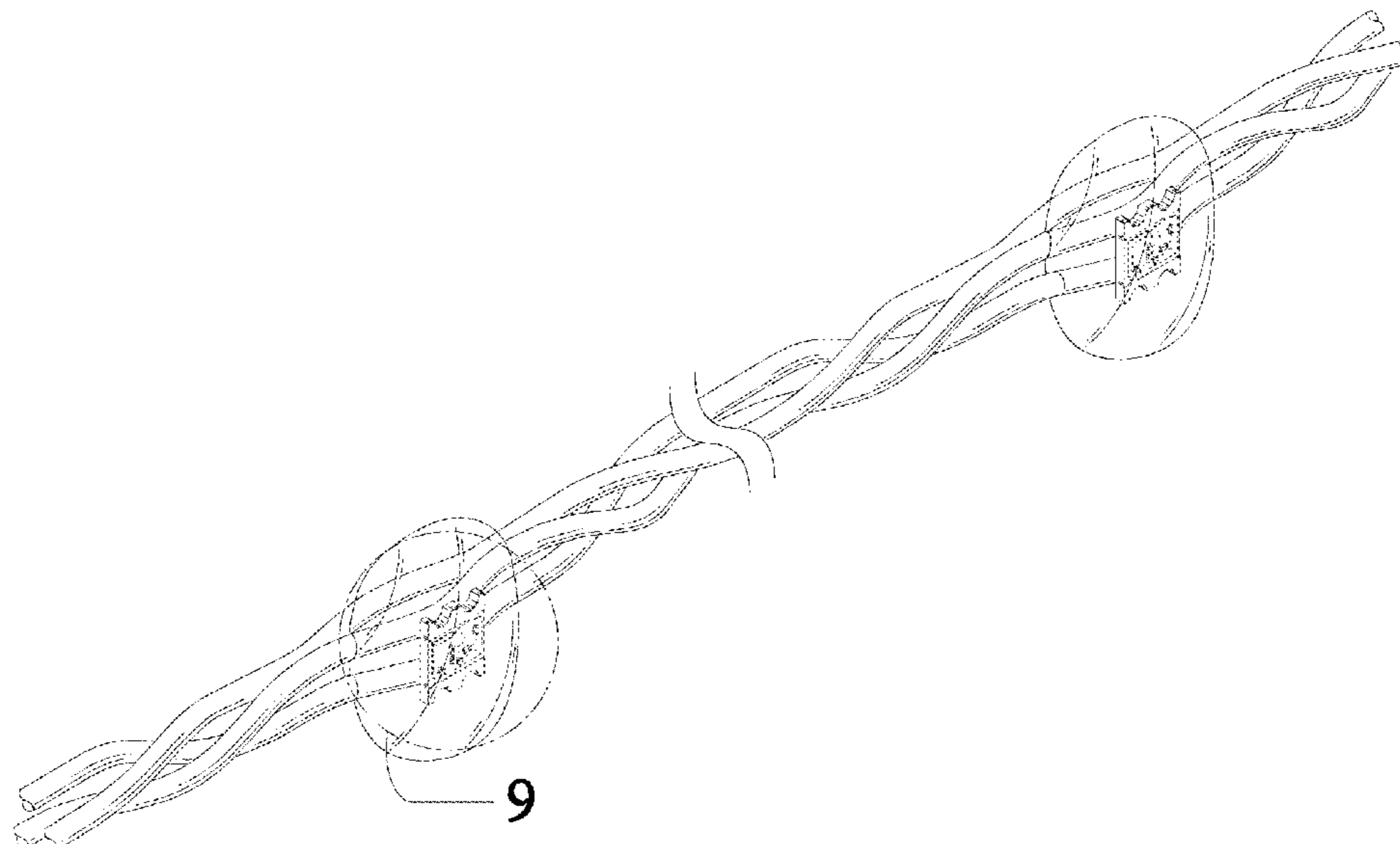
*Primary Examiner* — Clint A Samuel  
(74) *Attorney, Agent, or Firm* — iPA & iPM

(57) **CLAIM**  
The ornamental design for a LED light bulb string, as shown and described.

**DESCRIPTION**

FIG. 1 is a first perspective view from above of a LED light bulb string showing my new design, with area 9 further enlarged for illustrating details in FIG. 9;  
FIG. 2 is a perspective view from below thereof, with area 10 further enlarged for illustrating details in FIG. 10;  
FIG. 3 is a top view thereof;  
FIG. 4 is a bottom view thereof;  
FIG. 5 is left side view thereof, with area 11 further enlarged for illustrating details in FIG. 11;  
FIG. 6 is a right side view thereof, with area 12 further enlarged for illustrating details in FIG. 12;  
FIG. 7 is a back view thereof;  
FIG. 8 is a front view thereof;  
FIG. 9 is an enlarged detailed perspective view of area 9 in FIG. 1;  
FIG. 10 is an enlarged detailed perspective view of area 10 in FIG. 2;  
FIG. 11 is an enlarged detailed left side view of area 11 in FIG. 5; and,  
FIG. 12 is an enlarged detailed right side view of area 12 in FIG. 6.  
Broken lines showing in the drawings are for purpose of illustrating environment structure and form no part of the claimed design.  
The LED light bulb string is shown with a symbolic break in its length. The appearance of any portion of the article between the break lines forms no part of the claimed design.

**1 Claim, 12 Drawing Sheets**



(56)

**References Cited**

U.S. PATENT DOCUMENTS

D900,356 S \* 10/2020 Zhu ..... D26/25  
D932,669 \* 10/2021 Zhao ..... D26/25  
2012/0039070 A1\* 2/2012 Shen ..... F21S 4/10  
362/103  
2015/0369464 A1\* 12/2015 Chang ..... F21S 4/10  
362/219  
2016/0293813 A1 10/2016 Aruga et al.  
2016/0341408 A1\* 11/2016 Altamura ..... F21S 4/10  
2017/0023223 A1\* 1/2017 Tsai ..... F21V 23/003  
2017/0084803 A1 3/2017 Iwaki  
2018/0340676 A1 11/2018 Tsai  
2021/0262624 A1\* 8/2021 Tsai ..... H05B 45/40

\* cited by examiner

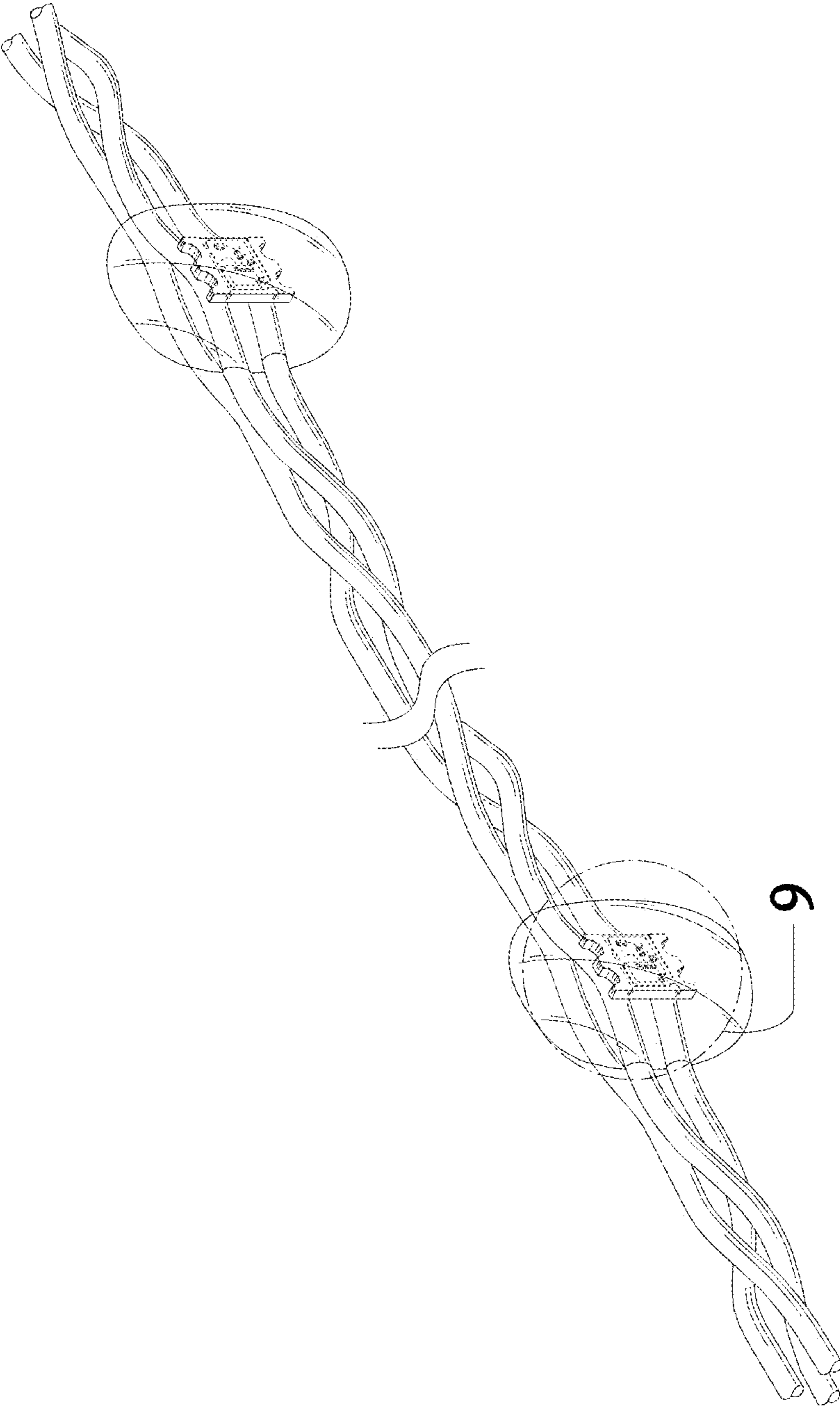


FIG.1

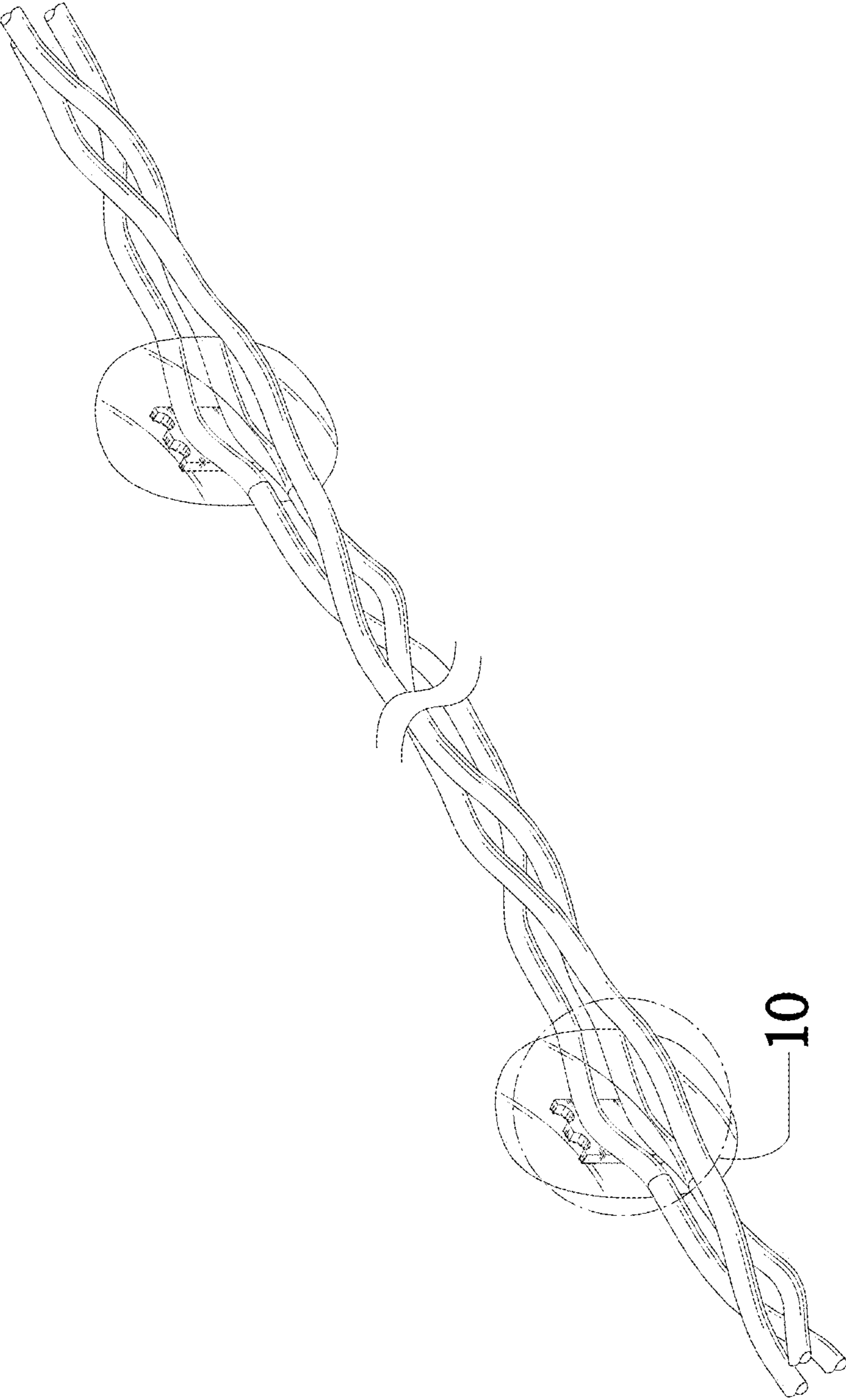


FIG.2

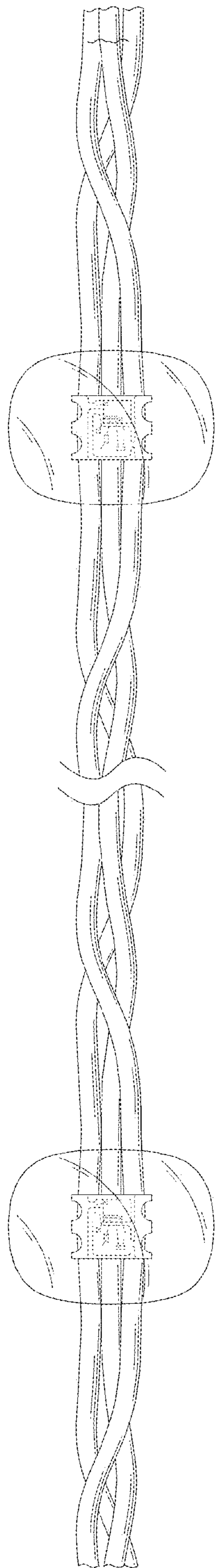


FIG.3

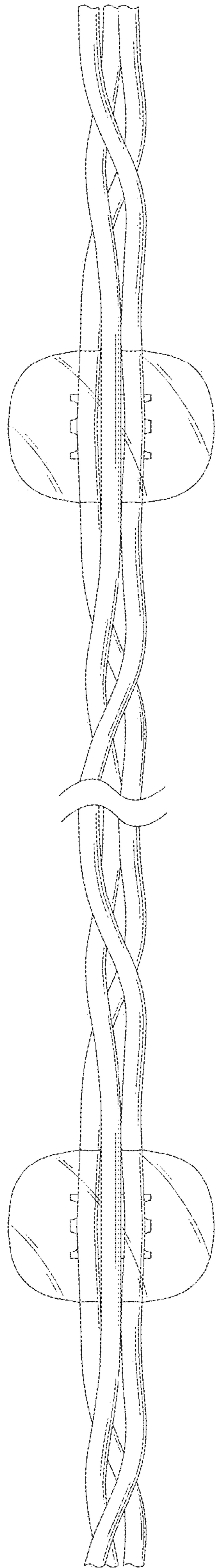


FIG.4

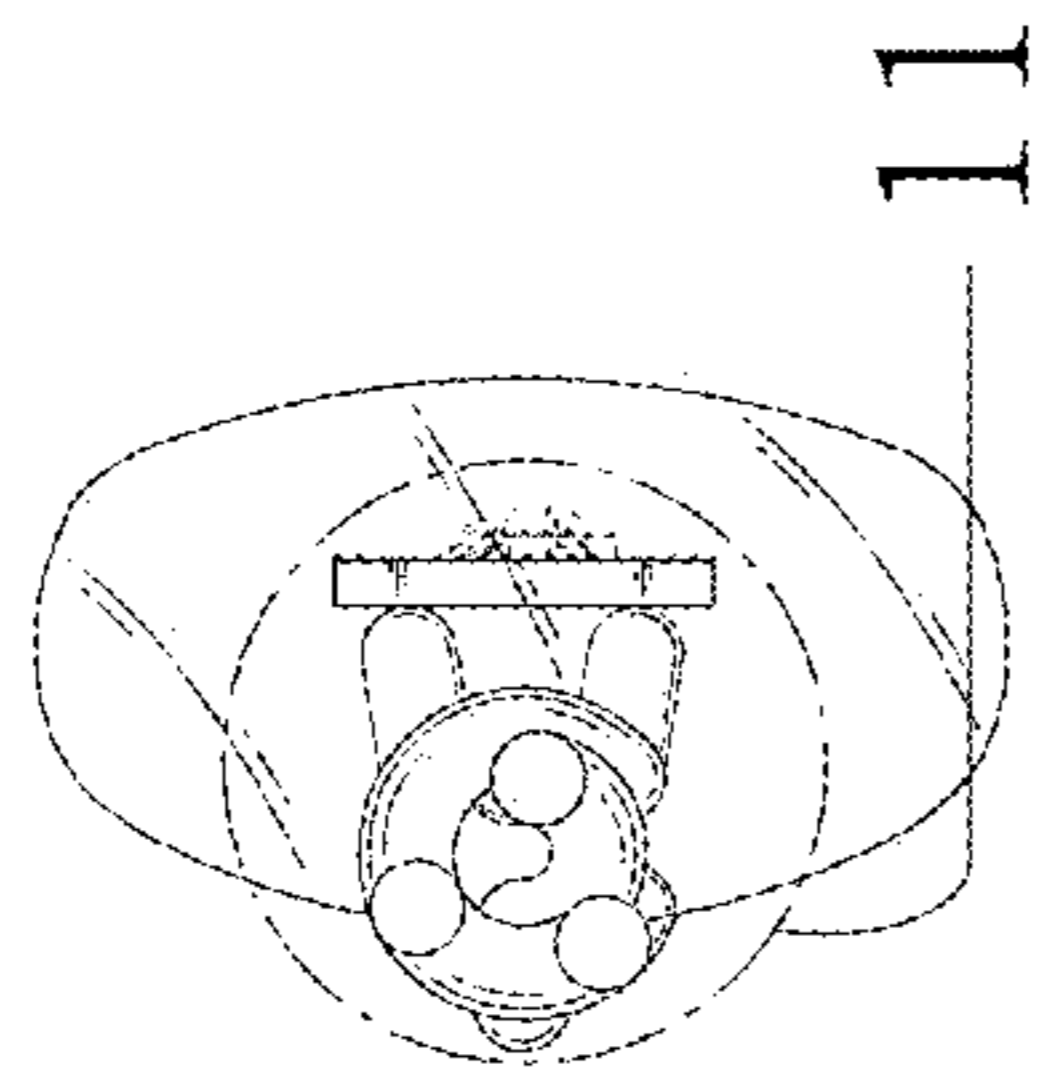


FIG. 5

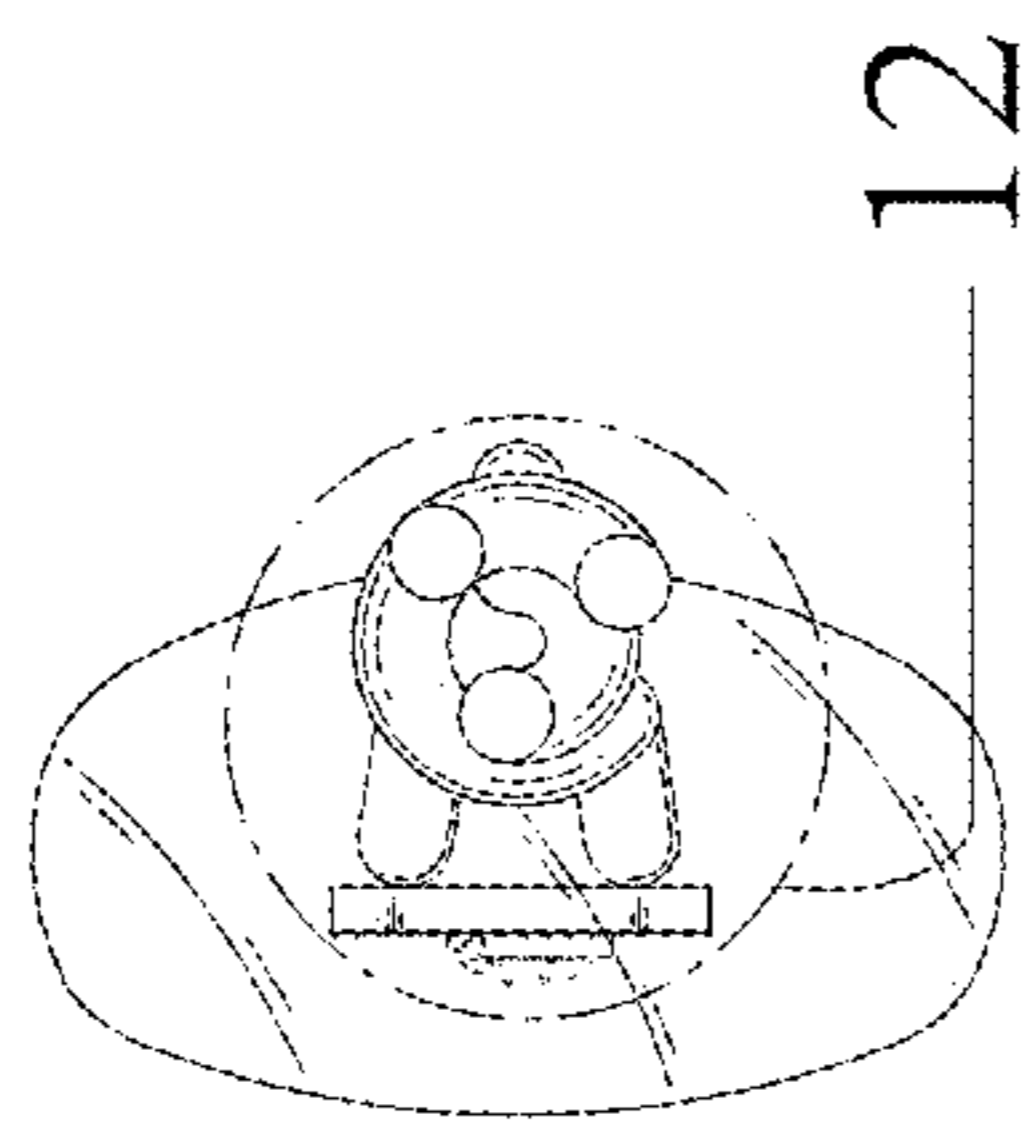


FIG. 6



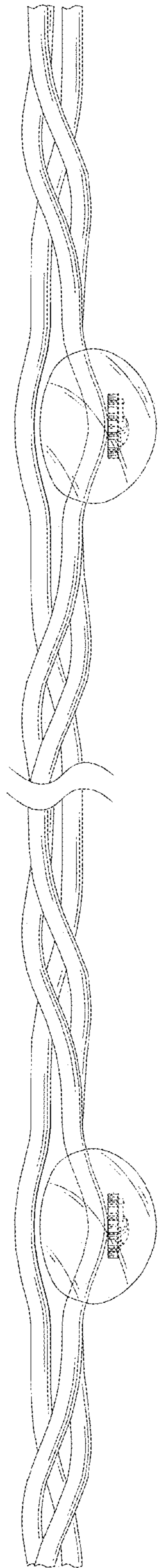


FIG.7

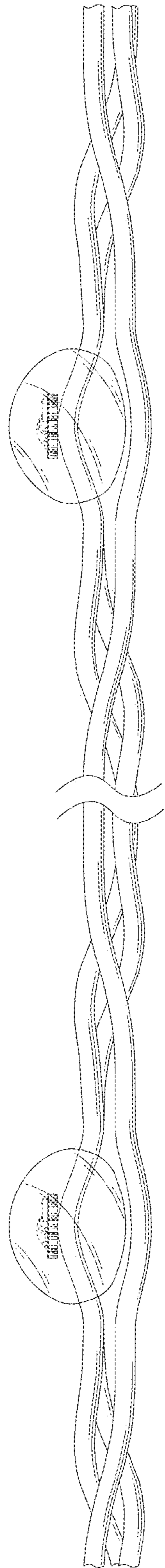


FIG.8

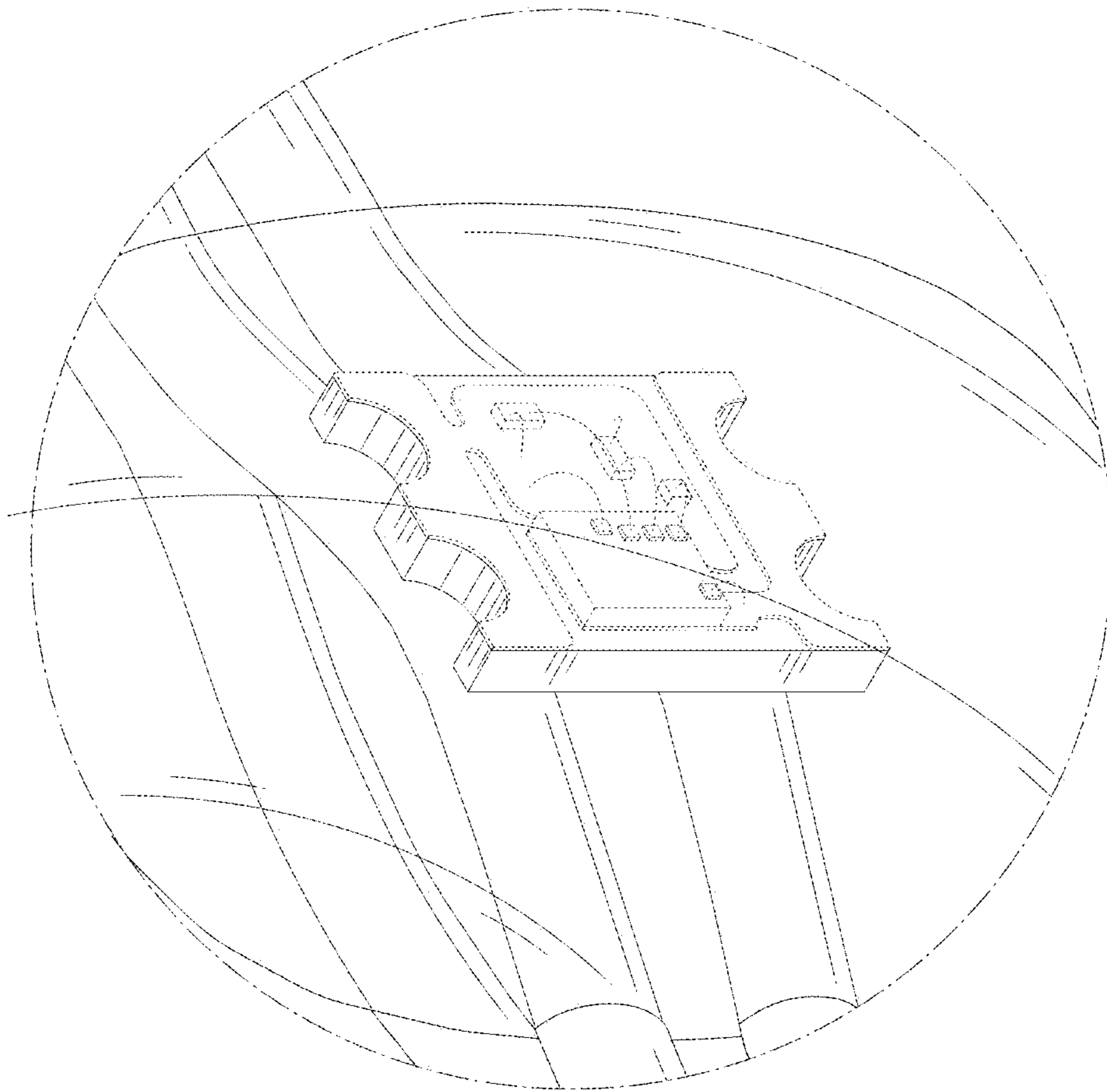


FIG. 9

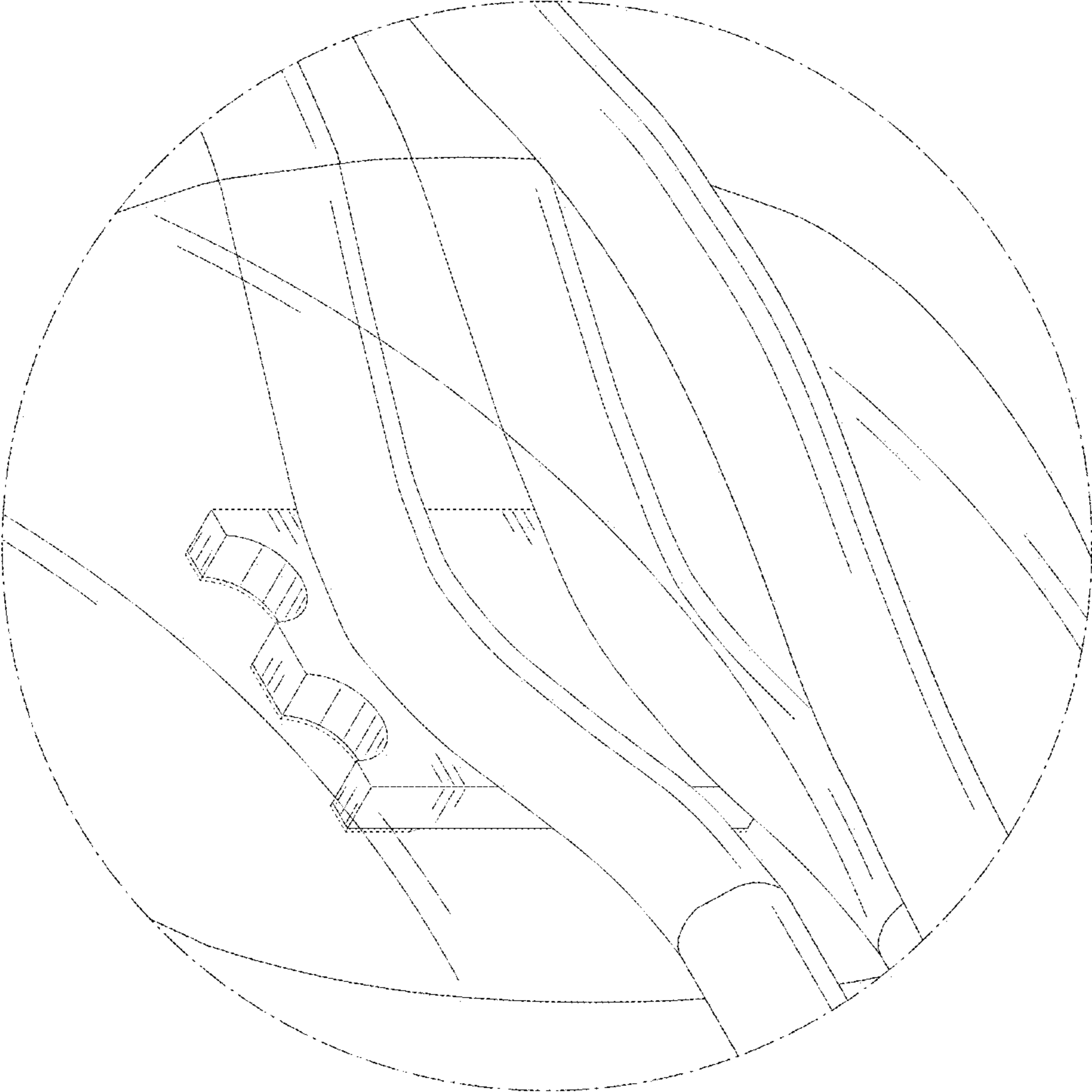


FIG.10

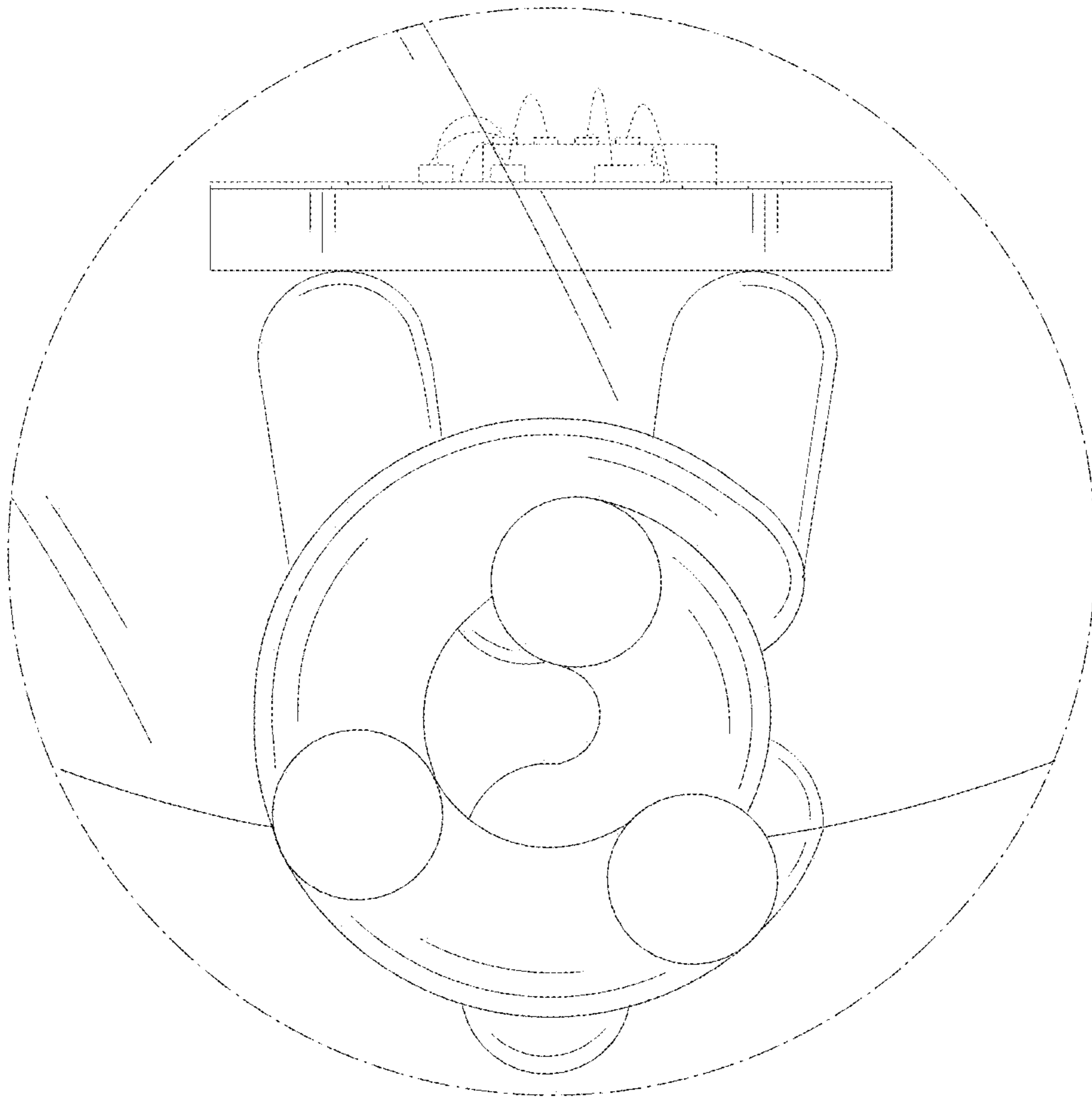


FIG.11



FIG. 12