



US00D956277S

(12) **United States Design Patent**
Lu et al.

(10) **Patent No.:** **US D956,277 S**
(45) **Date of Patent:** **** Jun. 28, 2022**

(54) **LED LIGHT**

(71) Applicants: **Shaohong Lu**, Shangrao (CN); **Bohua Dai**, Tuanfeng (CN); **Kaitao Xiong**, Ziyang (CN)

(72) Inventors: **Shaohong Lu**, Shangrao (CN); **Bohua Dai**, Tuanfeng (CN); **Kaitao Xiong**, Ziyang (CN)

(**) Term: **15 Years**

(21) Appl. No.: **29/763,891**

(22) Filed: **Dec. 25, 2020**

(51) **LOC (13) Cl.** **26-04**

(52) **U.S. Cl.**
USPC **D26/25**

(58) **Field of Classification Search**
USPC D26/25, 43, 75
CPC F21S 4/00; F21S 4/10; F21S 4/15; F21S 4/20; F21S 4/24; F21W 2121/00; F21W 2121/04

See application file for complete search history.

(56) **References Cited**

U.S. PATENT DOCUMENTS

D598,583 S * 8/2009 Levine D26/25
D623,321 S * 9/2010 Levine D26/25
D680,894 S 4/2013 Yu
D783,191 S 4/2017 Riffner
D865,232 S * 10/2019 Wu D26/25

D874,692 S * 2/2020 Dai D26/25
D895,184 S * 9/2020 Ouyang D26/51
D900,356 S 10/2020 Zhu
D915,643 S * 4/2021 Liang D26/25
2021/0239284 A1* 8/2021 Jeong F21S 4/10

* cited by examiner

Primary Examiner — Clint A Samuel

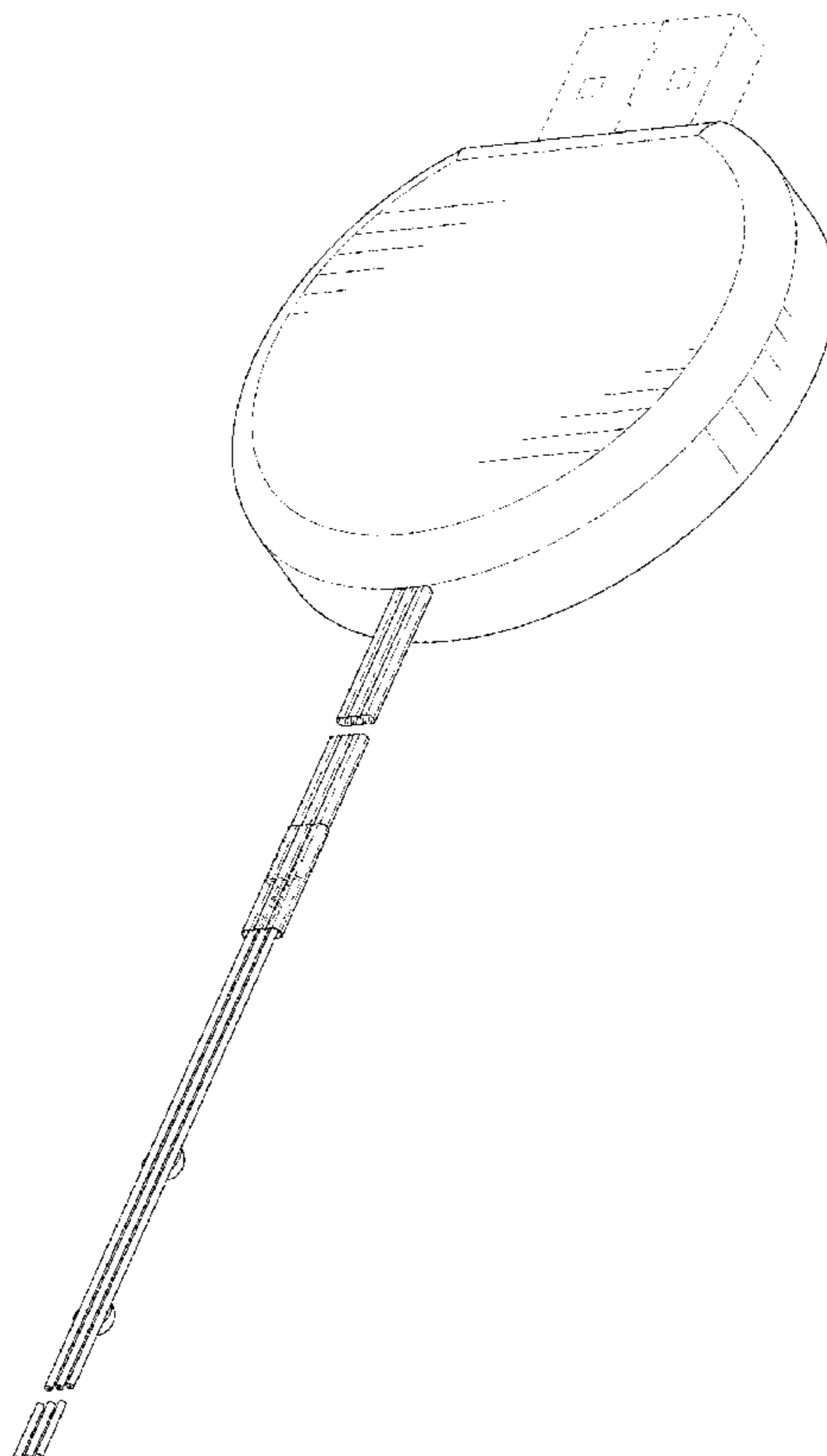
(57) **CLAIM**

The ornamental design for a LED light, as shown and described.

DESCRIPTION

FIG. 1 is a first perspective view of a LED light showing my new design;
FIG. 2 is a second perspective view thereof;
FIG. 3 is a front view thereof;
FIG. 4 is a back view thereof;
FIG. 5 is a left side view thereof;
FIG. 6 is a right side view thereof;
FIG. 7 is a top view thereof;
FIG. 8 is a bottom view thereof;
FIG. 9 is an enlarged view of the selected portion in FIG. 2;
FIG. 10 is an enlarged view of the selected portion in FIG. 2; and,
FIG. 11 is an enlarged view of the selected portion in FIG. 8.
The broken lines shown in the drawings depict portions of the LED light in which the design is embodied that form no part of the claimed design.

1 Claim, 11 Drawing Sheets



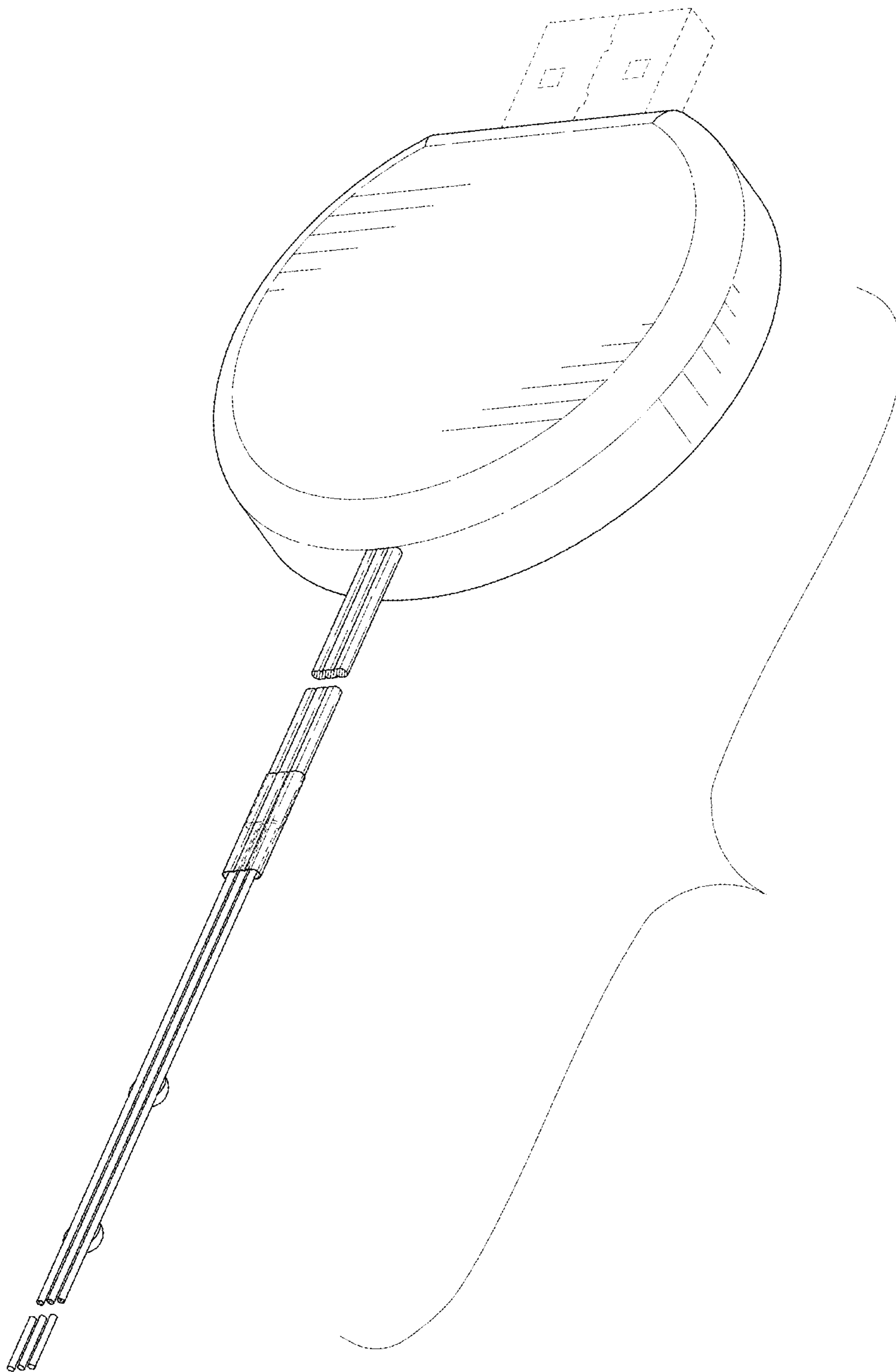


FIG. 1

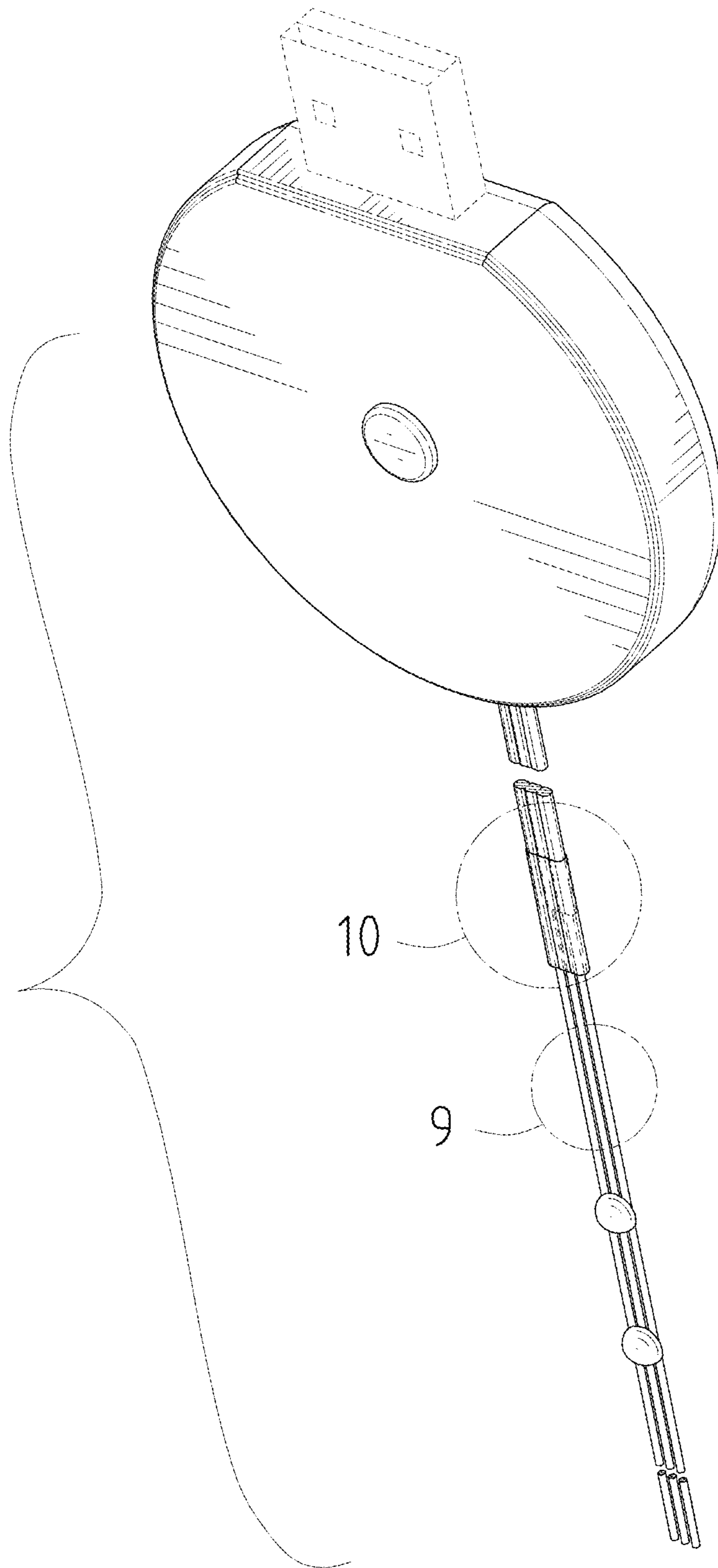


FIG. 2

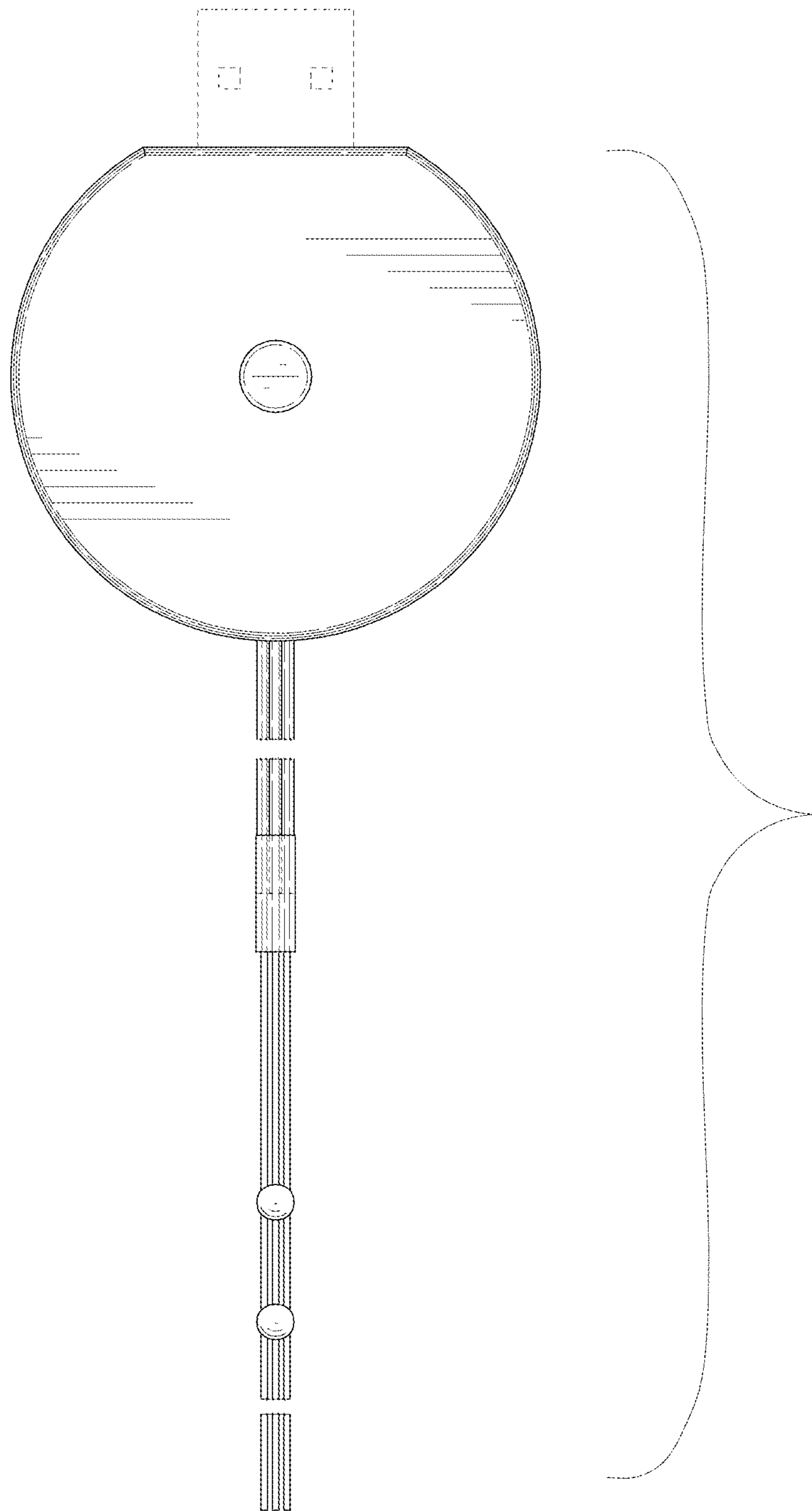


FIG. 3

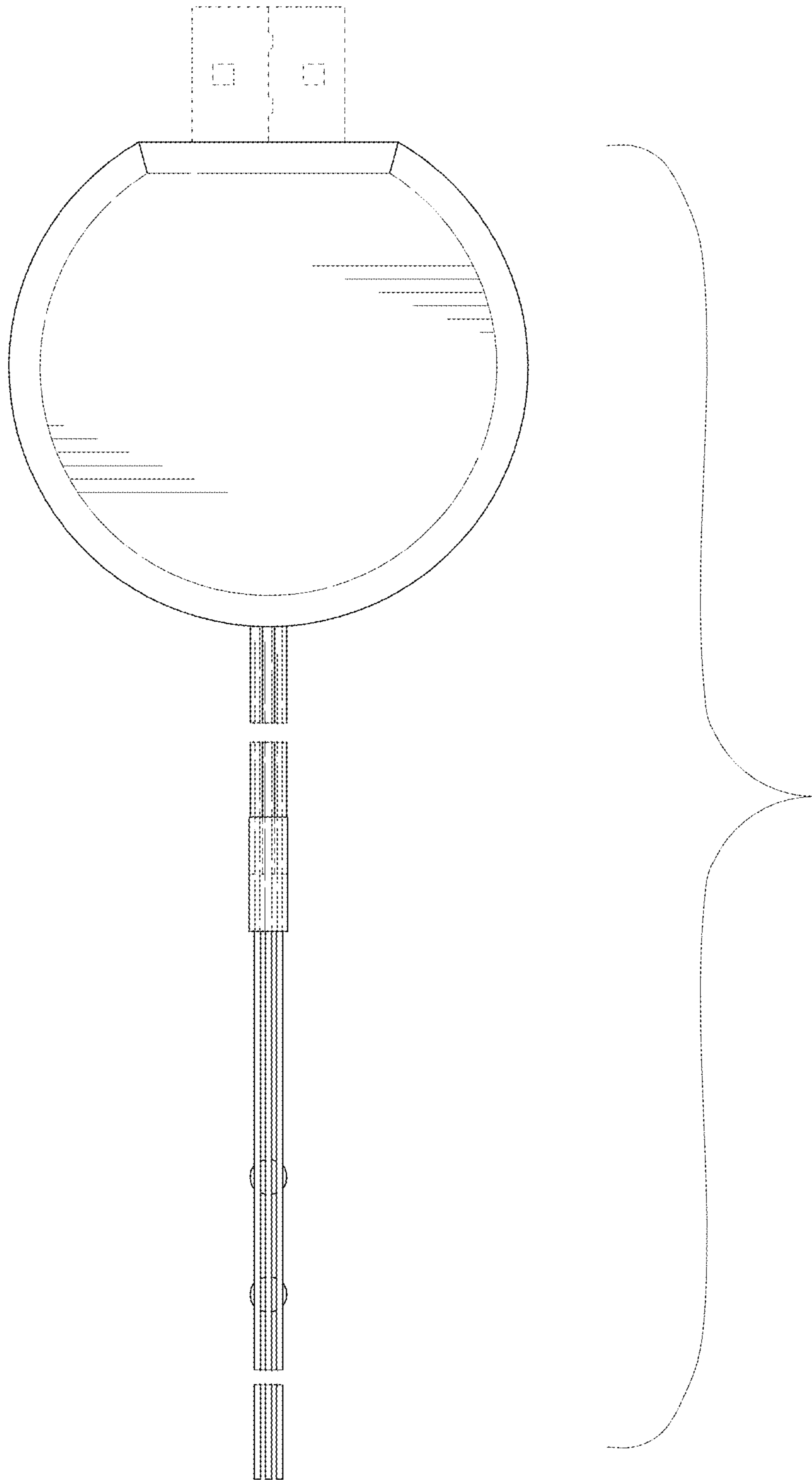


FIG. 4

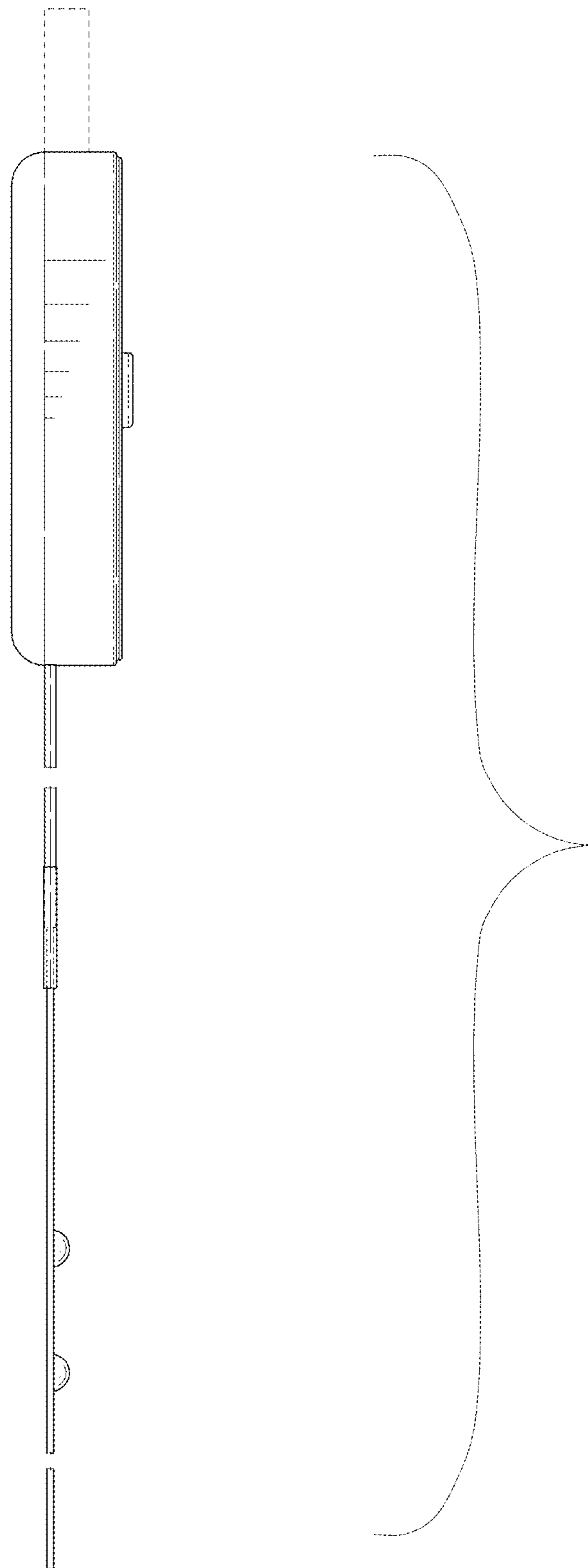


FIG. 5

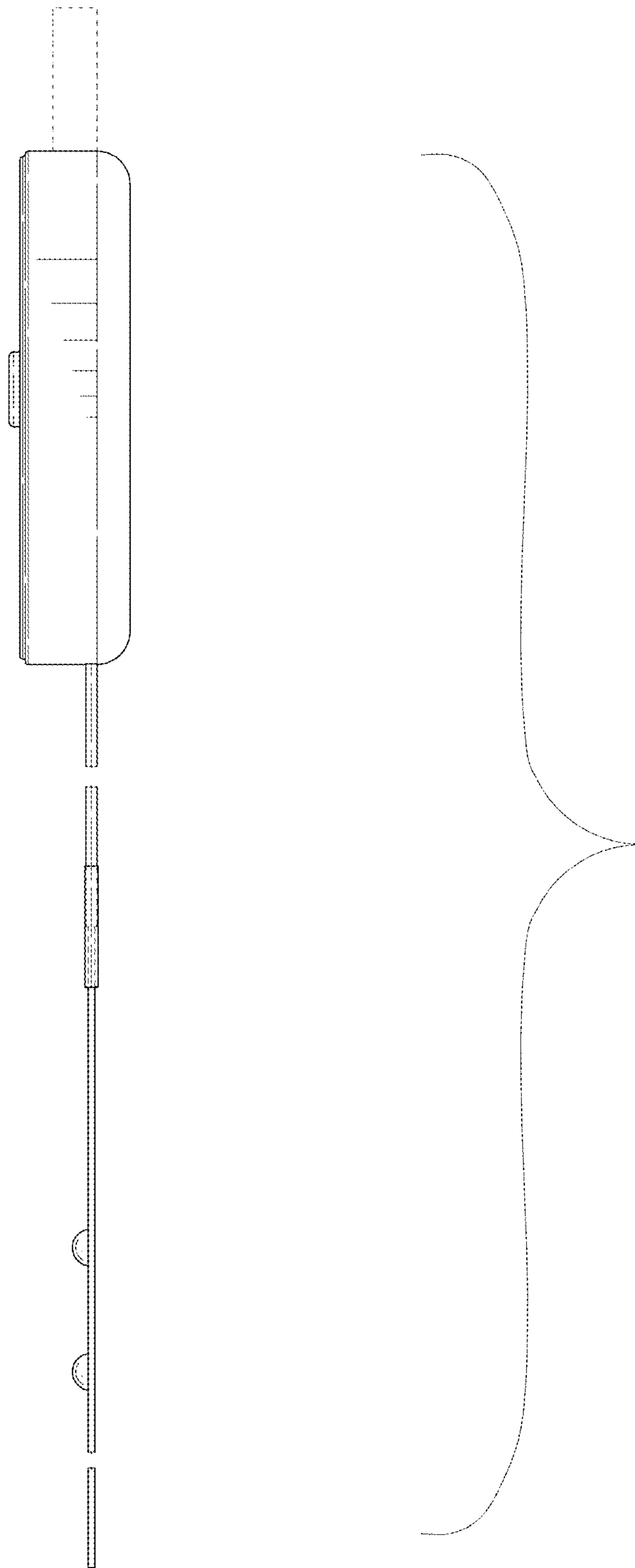


FIG. 6

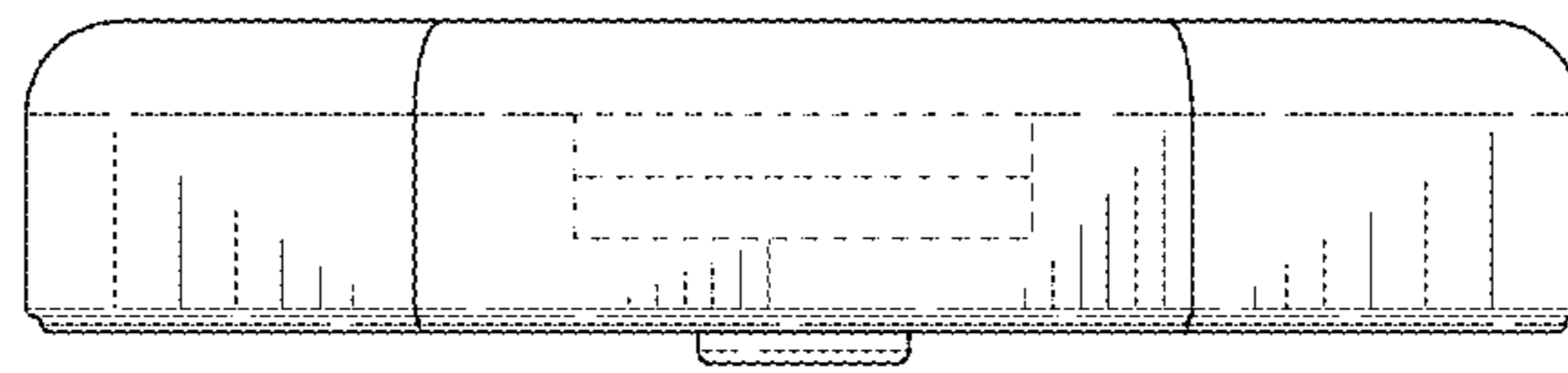


FIG. 7

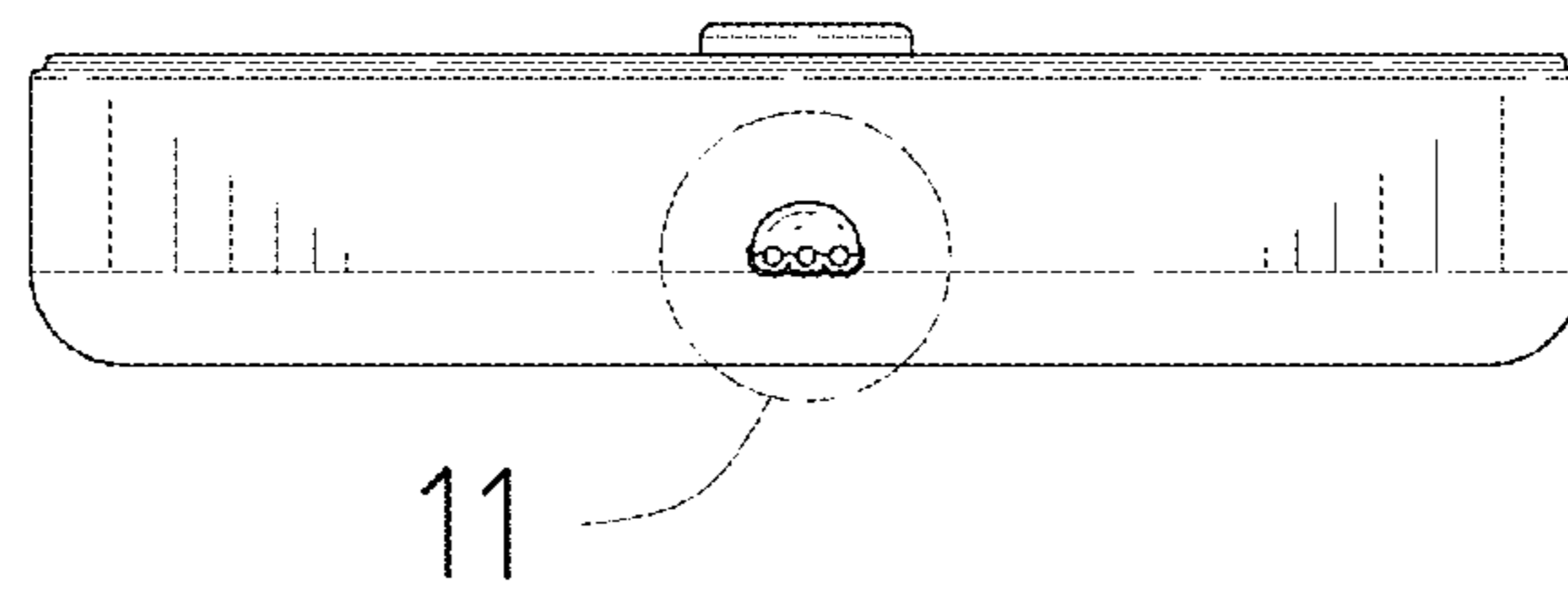


FIG. 8

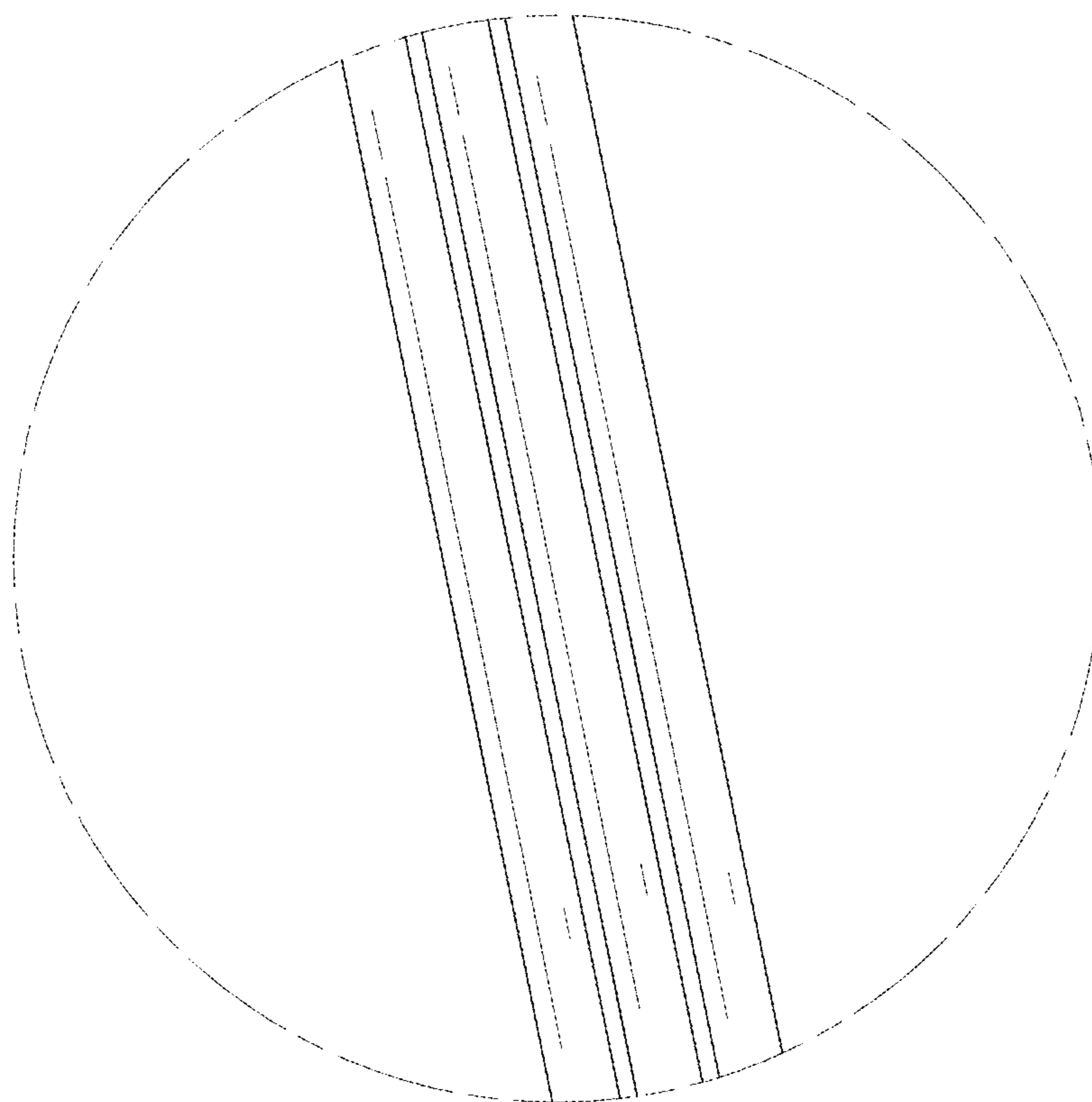


FIG. 9

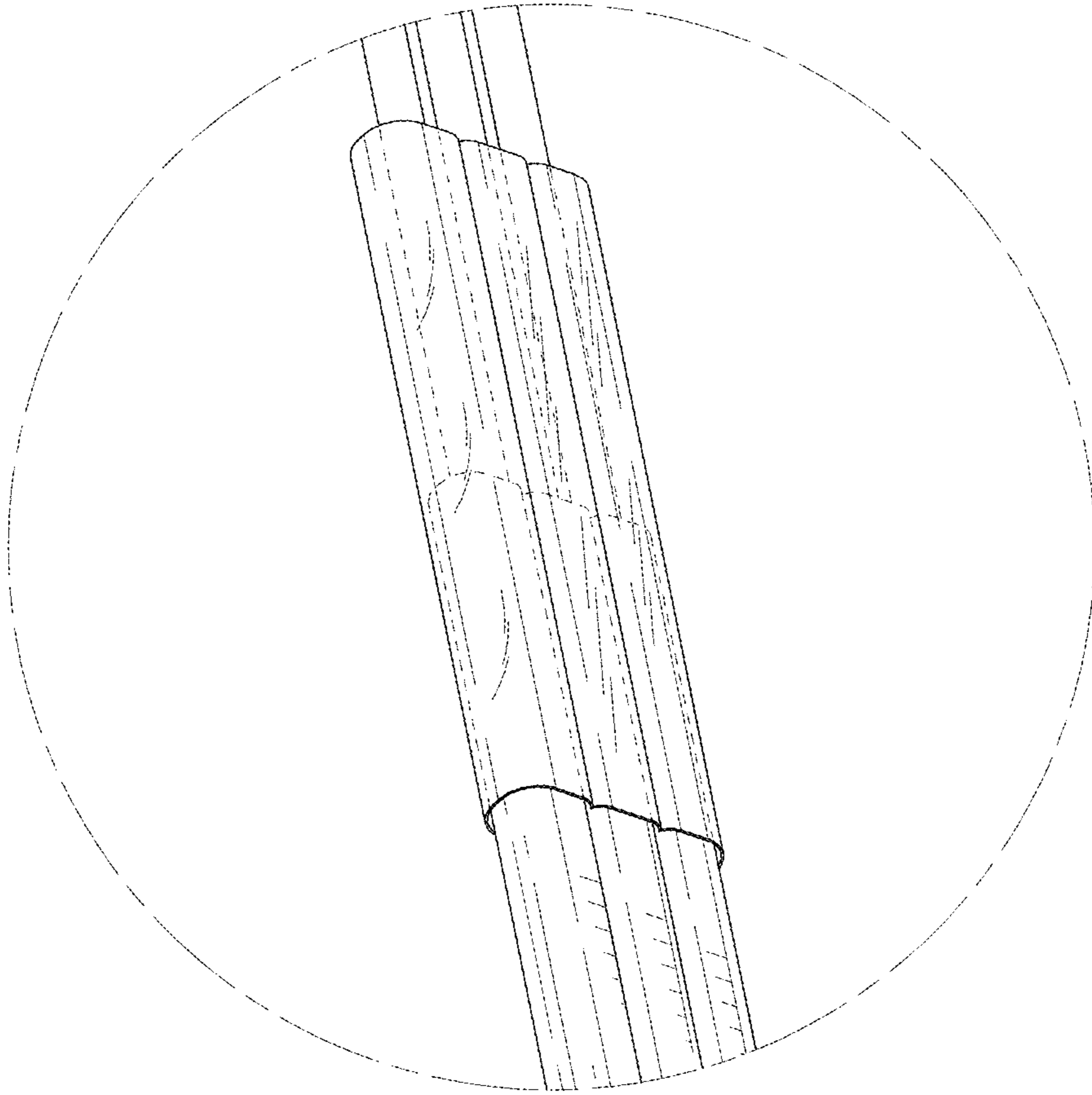


FIG. 10

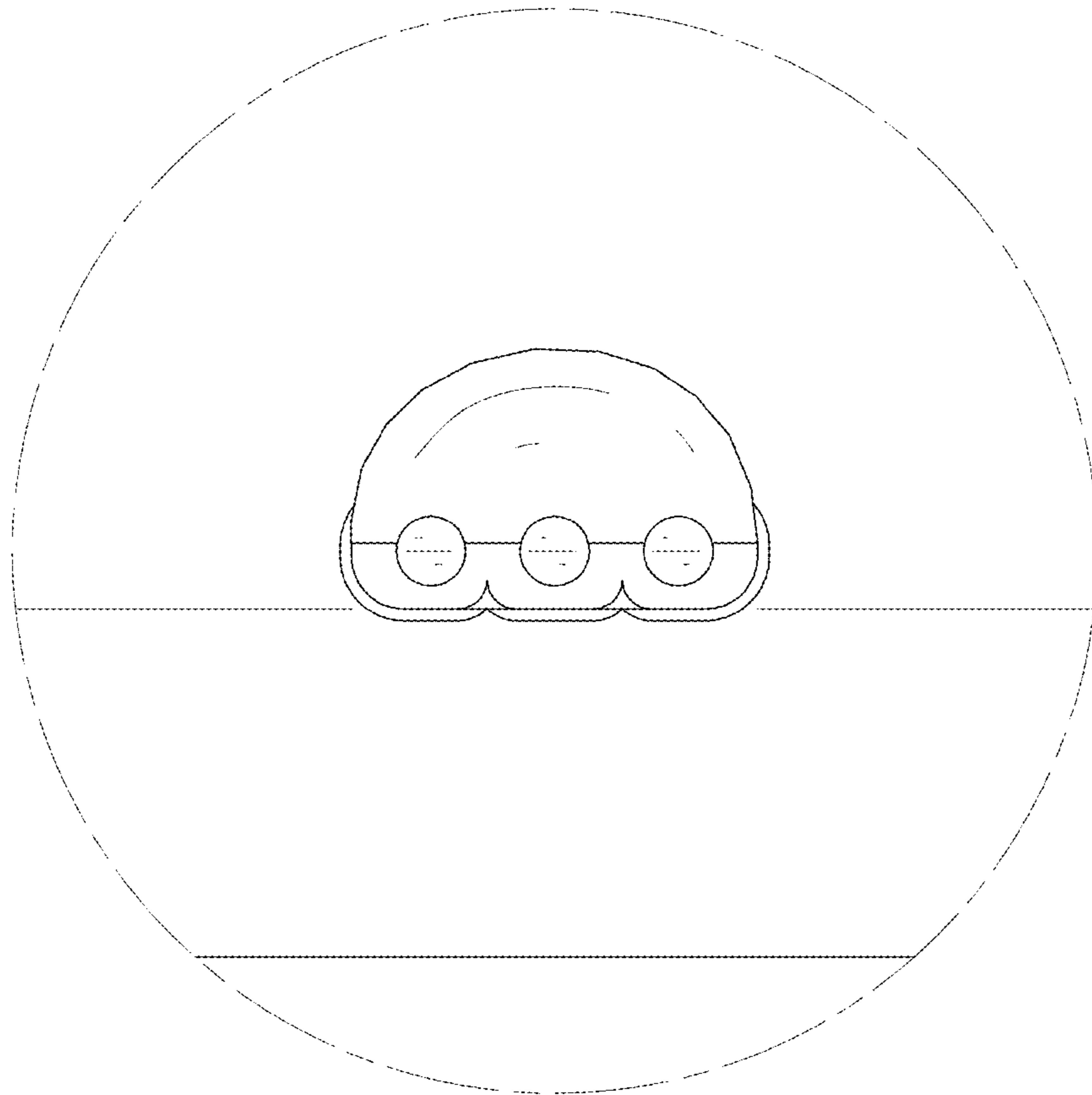


FIG. 11