



US00D956276S

(12) **United States Design Patent** (10) **Patent No.:** **US D956,276 S**
Cui (45) **Date of Patent:** **** Jun. 28, 2022**

(54) **HEMP ROPE CHANDELIER**
(71) Applicant: **Zhongshan Fanmao Information Technology Co., Ltd., Zhongshan (CN)**
(72) Inventor: **Jiazhao Cui, Zhongshan (CN)**
(**) Term: **15 Years**
(21) Appl. No.: **29/749,720**
(22) Filed: **Sep. 9, 2020**
(51) **LOC (13) Cl.** **26-04**
(52) **U.S. Cl.**
USPC **D26/25**
(58) **Field of Classification Search**
USPC D26/24, 25, 42, 43, 61, 88, 107, 113, D26/118, 119; D13/133
CPC F21S 4/00; F21S 4/10; F21S 4/15; F21S 4/20; F21S 4/22; F21S 4/24; F21S 4/26; F21S 8/00; F21S 8/06; F21S 8/063; F21S 2/00; F21S 2/005; F21V 21/00; F21V 21/02; F21V 21/008; F21V 19/00; F21V 19/008; F21V 15/00; F21V 15/01; F21Y 2103/00
See application file for complete search history.

(56) **References Cited**
U.S. PATENT DOCUMENTS
D691,295 S 10/2013 Chappey
8,633,502 B2* 1/2014 Kawashima F21V 31/04 257/98
D716,991 S * 11/2014 Kitts D26/88
D796,729 S * 9/2017 Sonneman D26/118
D796,730 S * 9/2017 Sonneman D26/118
D796,731 S * 9/2017 Sonneman D26/118
D797,355 S * 9/2017 Sonneman D26/118
D797,356 S * 9/2017 Sonneman D26/118
9,752,763 B2* 9/2017 Lin F21V 23/06

D846,789 S * 4/2019 Barber D26/88
10,408,392 B2* 9/2019 Yu F21V 23/002
D874,692 S 2/2020 Shenzhen
D880,022 S 3/2020 Gong
D883,523 S * 5/2020 Zheng D26/25
D889,696 S * 7/2020 Cao D26/25
2011/0309403 A1* 12/2011 Kawashima F21V 31/00 257/99
2017/0343170 A1* 11/2017 Yu F21V 23/06
2020/0003405 A1* 1/2020 Zhang F21V 5/04
2021/0164626 A1* 6/2021 Yang F21V 23/06

* cited by examiner

Primary Examiner — Clint A Samuel

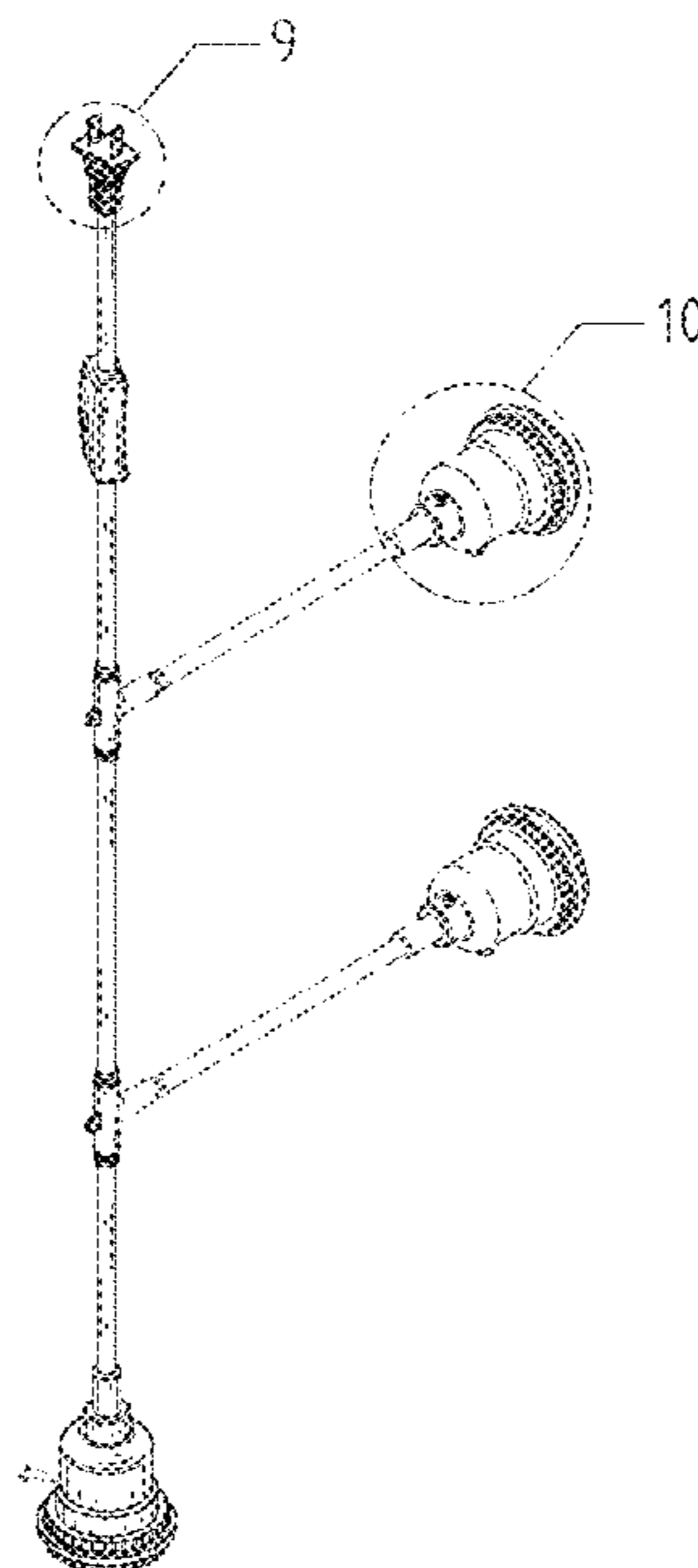
(57) **CLAIM**

The ornamental design for a hemp rope chandelier, as shown and described.

DESCRIPTION

FIG. 1 is a first perspective view of a hemp rope chandelier showing my new design;
FIG. 2 is a second perspective view thereof;
FIG. 3 is a front view thereof;
FIG. 4 is a back view thereof;
FIG. 5 is a left side view thereof;
FIG. 6 is a right side view thereof;
FIG. 7 is a top view thereof;
FIG. 8 is a bottom view thereof;
FIG. 9 is an enlarged view of the detail identified in FIG. 1;
FIG. 10 is an enlarged view of the detail identified in FIG. 1; and,
FIG. 11 is an enlarged view of the detail identified in FIG. 2.
The broken lines shown in the drawings depict portions of the hemp rope chandelier in which the design is embodied that form no part of the claimed design.

1 Claim, 11 Drawing Sheets



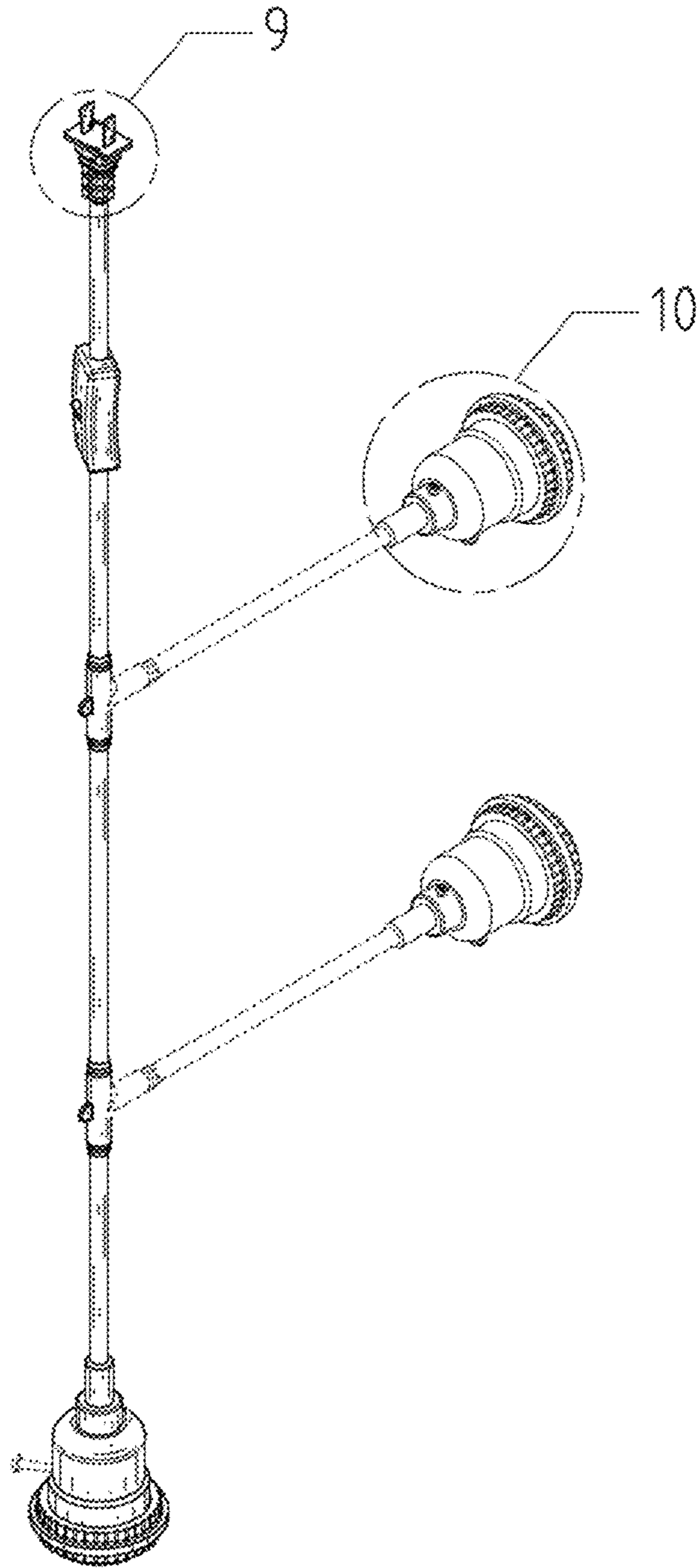


FIG. 1

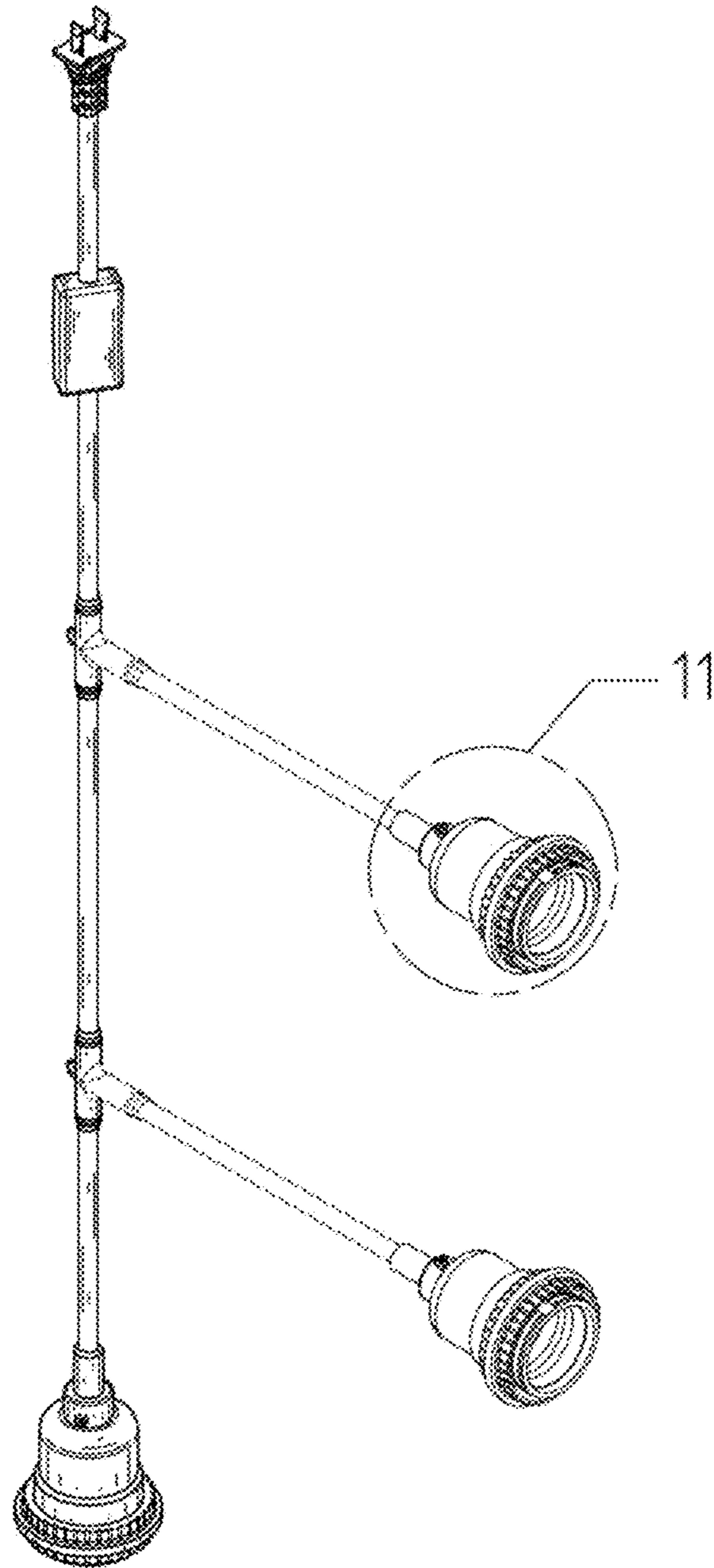


FIG. 2

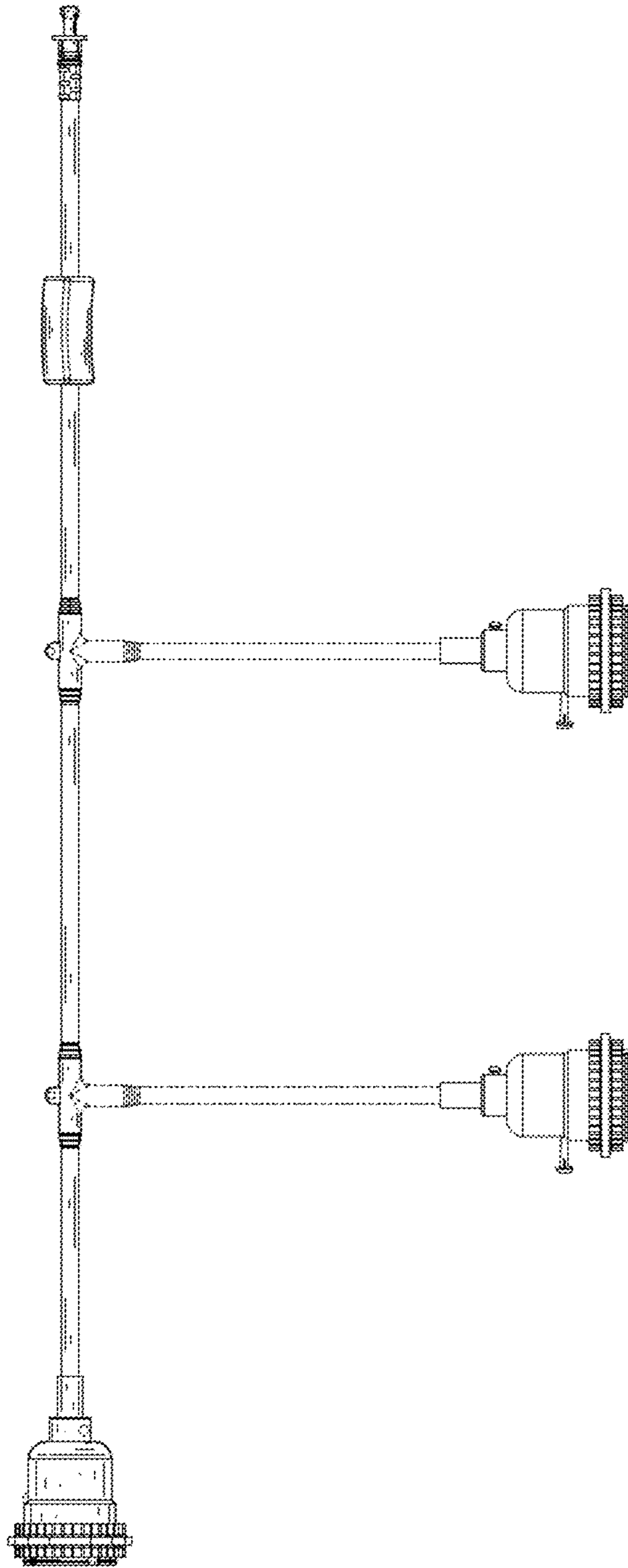


FIG. 3

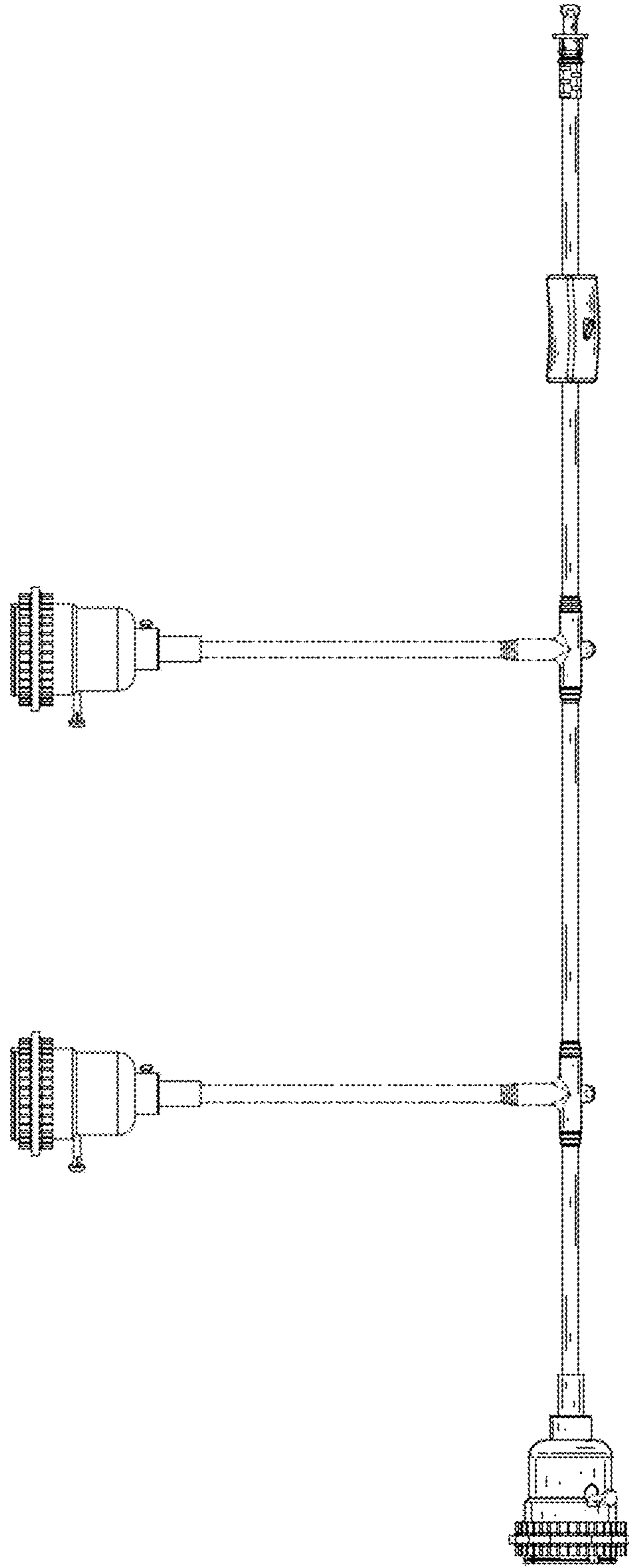


FIG. 4

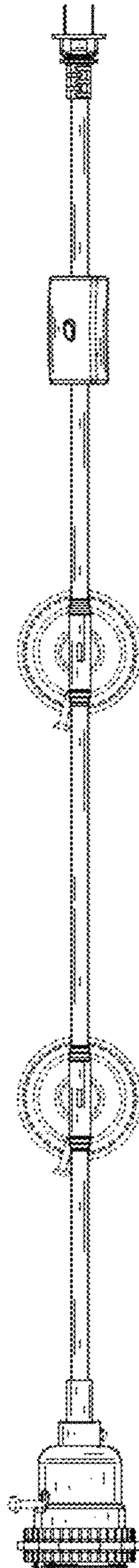


FIG. 5

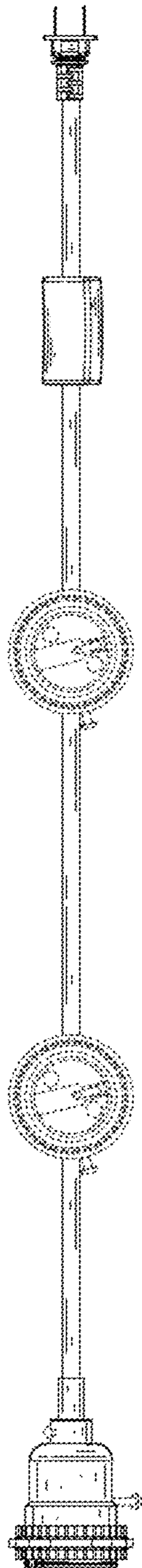


FIG. 6

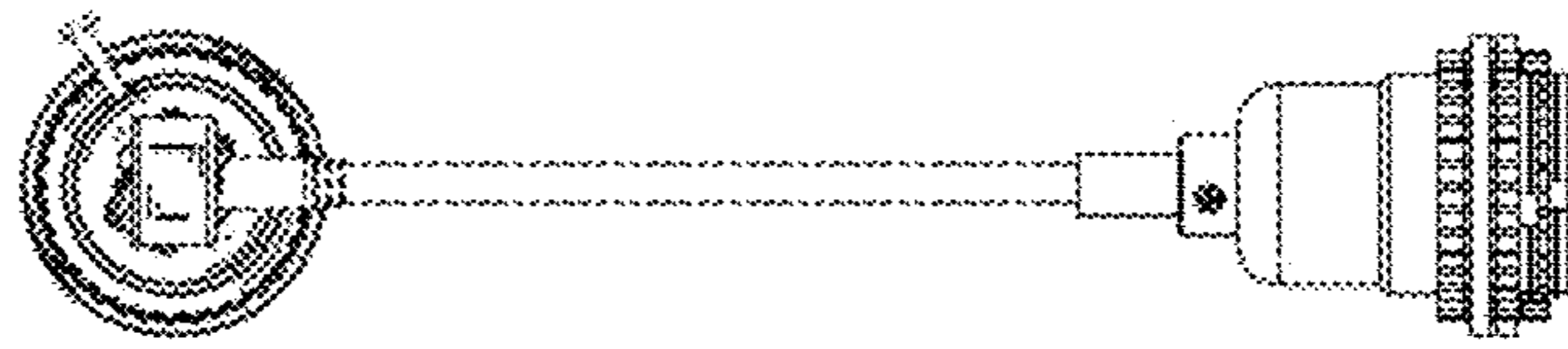


FIG. 7

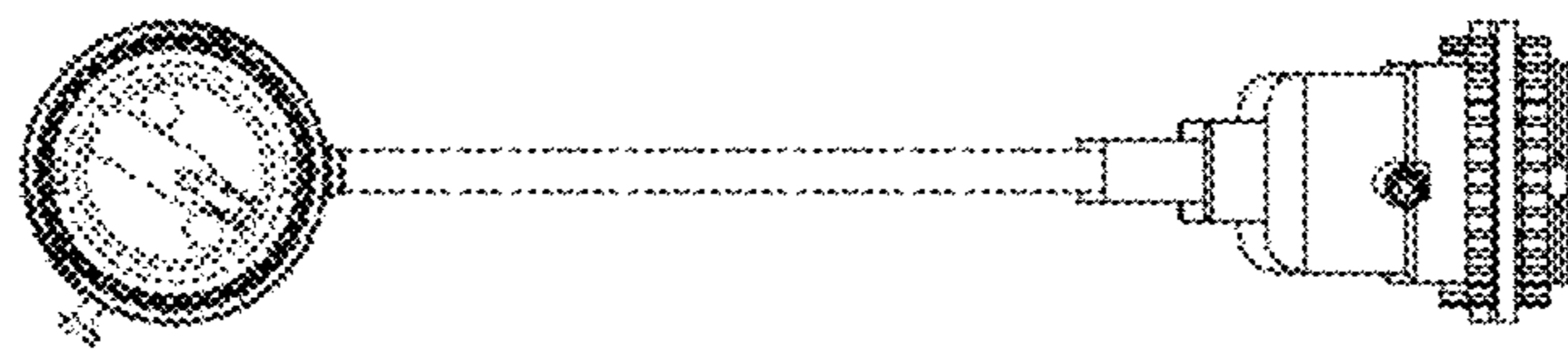


FIG. 8

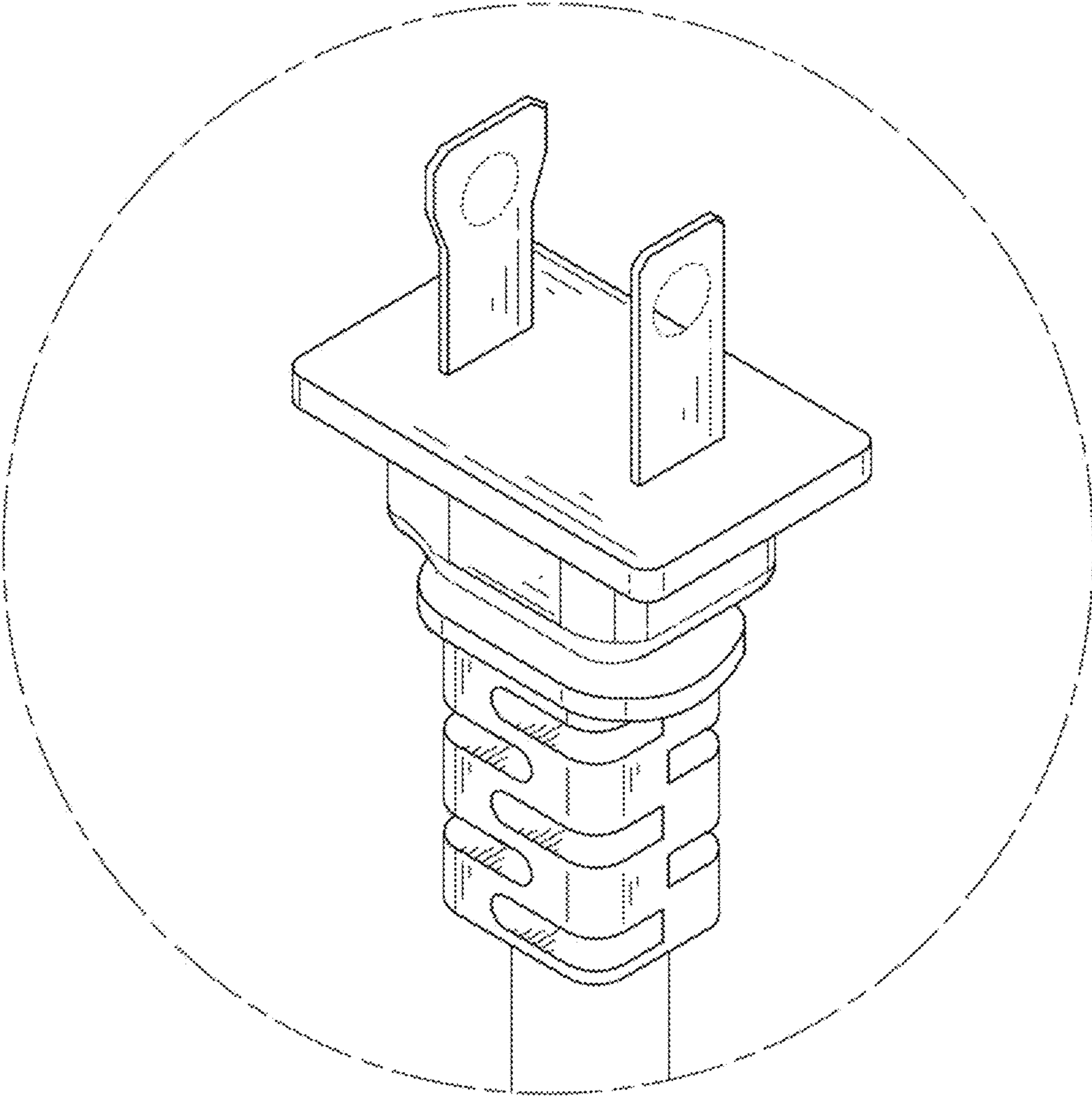


FIG. 9

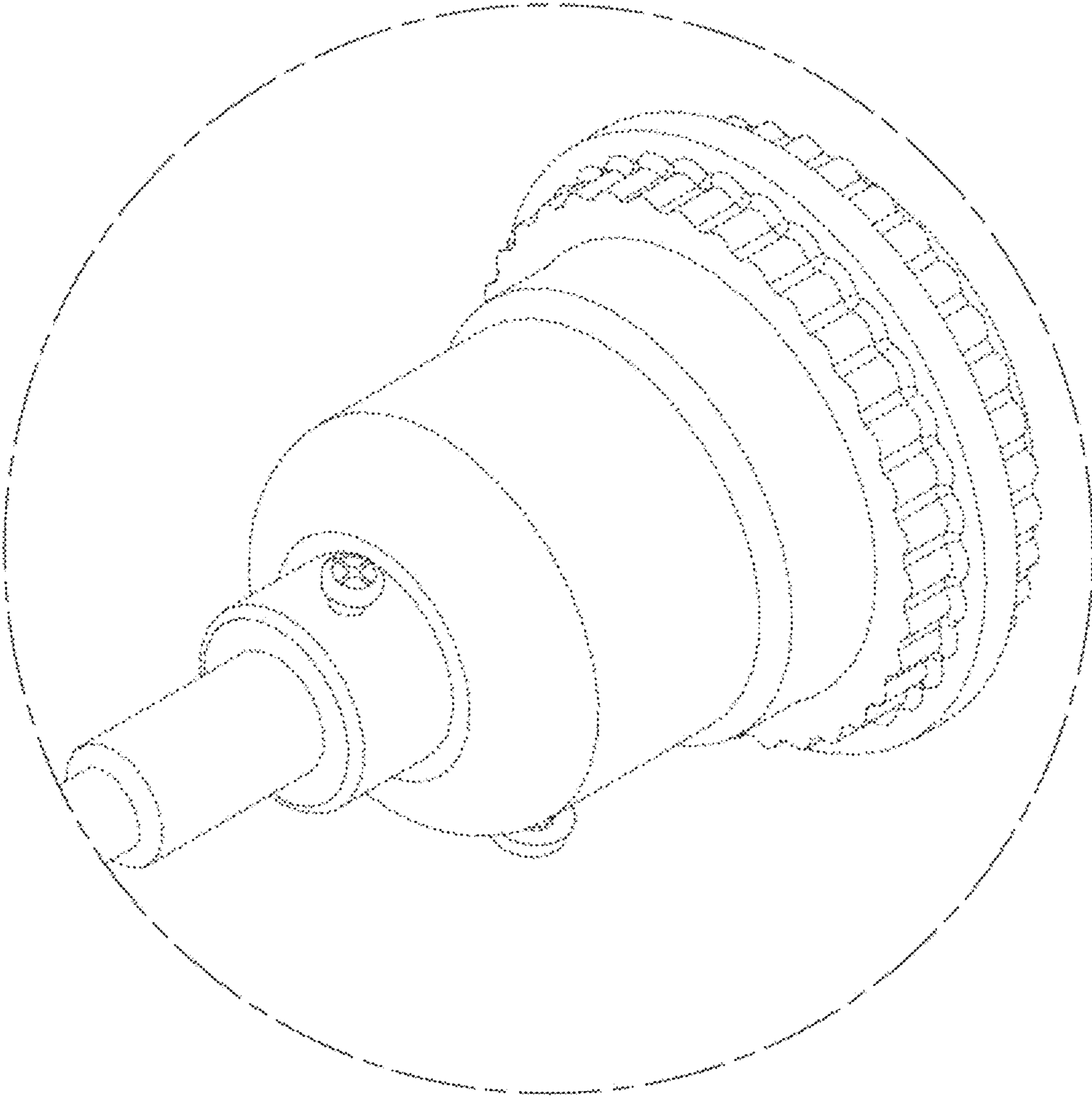


FIG. 10

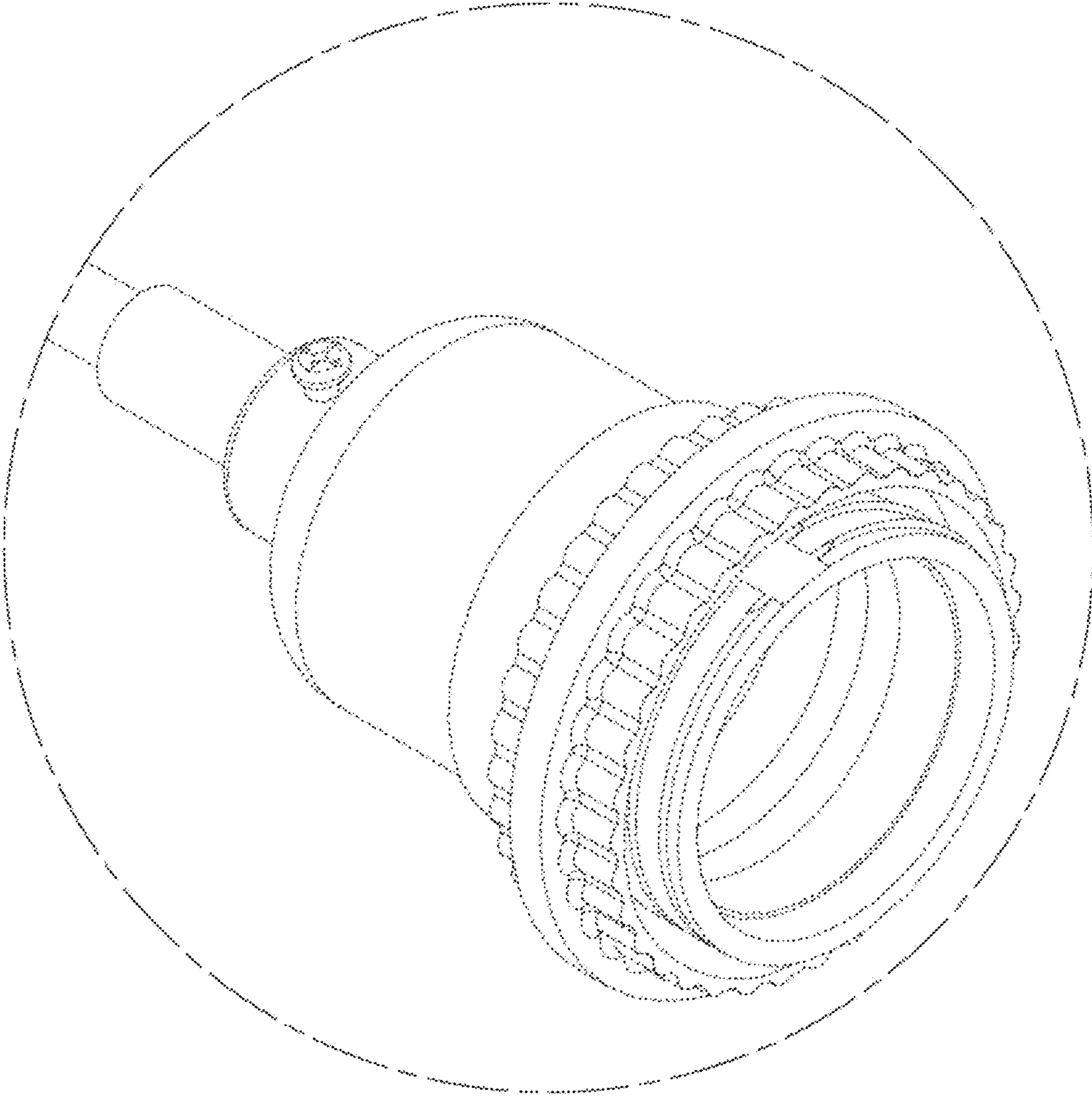


FIG. 11