



US00D956274S

(12) **United States Design Patent**  
**Melamed**

(10) **Patent No.:** **US D956,274 S**  
(45) **Date of Patent:** **\*\* Jun. 28, 2022**

- (54) **COMPACT LIGHT DEVICE**
- (71) Applicant: **PurseN, LLC**, Atlanta, GA (US)
- (72) Inventor: **Hardeep Melamed**, Atlanta, GA (US)
- (73) Assignee: **LOTTA-LITE, LLC**, Atlanta, GA (US)
- (\*\*) Term: **15 Years**
- (21) Appl. No.: **29/707,033**
- (22) Filed: **Sep. 25, 2019**
- (51) **LOC (13) Cl.** ..... **26-03**
- (52) **U.S. Cl.**  
USPC ..... **D26/24**
- (58) **Field of Classification Search**  
USPC ... D26/7, 10, 24, 26, 40, 47, 63, 93, 94, 98,  
D26/104, 106, 110, 120, 123, 124, 128,  
D26/135, 137, 60; D14/172, 188, 496,  
D14/509; D10/104.1, 114.2, 114.5,  
D10/114.6, 114.8, 106.5, 119.4;  
D21/308, 316, 319, 386, 708, 713, 782;  
D23/377, 385  
CPC .... F21S 6/00; F21S 6/002; F21S 6/003; F21S  
8/00; F21S 8/035; F21S 9/00; F21S 9/02;  
F21S 9/022; F21V 33/0004; F21V  
33/0024; F21W 2131/00; F21W 2131/30;  
F21W 2131/205; F21W 2131/406  
See application file for complete search history.

- D746,166 S \* 12/2015 Li ..... D10/104.1
- D777,367 S \* 1/2017 Ma ..... D26/104
- D784,585 S \* 4/2017 Philips ..... D26/63
- D791,374 S \* 7/2017 Liang ..... D26/24
- D803,410 S \* 11/2017 Im ..... D24/187
- D826,441 S \* 8/2018 Fuller ..... D26/52
- D840,070 S \* 2/2019 Cramer ..... D26/37
- D840,582 S \* 2/2019 Liu ..... D26/104
- D866,815 S \* 11/2019 Wang ..... D26/24
- D867,626 S \* 11/2019 Song ..... D26/24
- D878,639 S \* 3/2020 Luo ..... D26/24
- D895,175 S \* 9/2020 Li ..... D26/24
- D898,958 S \* 10/2020 Xiao ..... D26/24
- D909,646 S \* 2/2021 Saboo ..... D26/60
- D911,560 S \* 2/2021 Hu ..... D26/24
- D915,639 S \* 4/2021 Zhao ..... D26/1
- D917,092 S \* 4/2021 Zhang ..... D26/110
- D920,543 S \* 5/2021 Wei ..... D26/24
- D920,566 S \* 5/2021 Wei ..... D26/110
- D922,665 S \* 6/2021 Feng ..... D26/110

(Continued)

*Primary Examiner* — Clint A Samuel  
(74) *Attorney, Agent, or Firm* — Malloy & Malloy, P.L.;;  
Robert M. Downey

(57) **CLAIM**

The ornamental design for a compact light device, as shown and described.

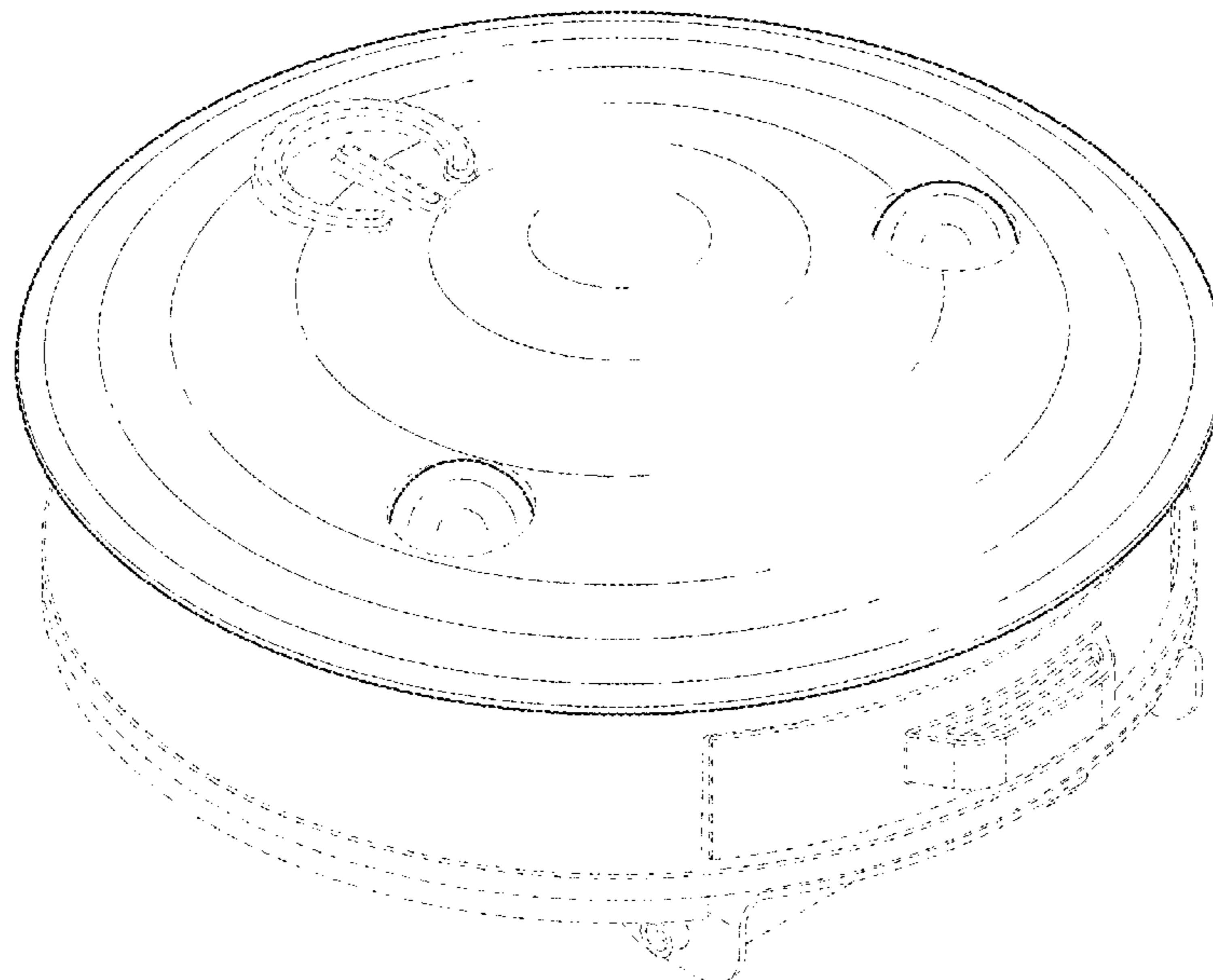
**DESCRIPTION**

FIG. 1 is a top, front perspective view of a compact light device showing my new design;  
FIG. 2 is a rear elevational view thereof;  
FIG. 3 is a front elevational view thereof;  
FIG. 4 is a left side elevational view thereof;  
FIG. 5 is a right side elevational view thereof;  
FIG. 6 is a top plan view thereof; and,  
FIG. 7 is a bottom plan view thereof.  
The broken lines appearing in FIGS. 1-7 form no part of the claimed design.

**1 Claim, 7 Drawing Sheets**

(56) **References Cited**  
U.S. PATENT DOCUMENTS

- D392,407 S \* 3/1998 Johnson ..... D26/104
- D561,925 S \* 2/2008 Levine ..... D26/72
- D621,081 S \* 8/2010 Abernethy ..... D26/60
- D682,451 S \* 5/2013 Hardy ..... D26/60
- D691,311 S \* 10/2013 Chen ..... D26/40
- D736,449 S \* 8/2015 Getty ..... D26/110
- D742,041 S \* 10/2015 Garcia ..... D26/24



(56)

**References Cited**

U.S. PATENT DOCUMENTS

D925,076 S \* 7/2021 Zhao ..... D26/24  
D927,763 S \* 8/2021 Lee ..... D26/93  
D933,046 S \* 10/2021 Huang ..... D14/216

\* cited by examiner

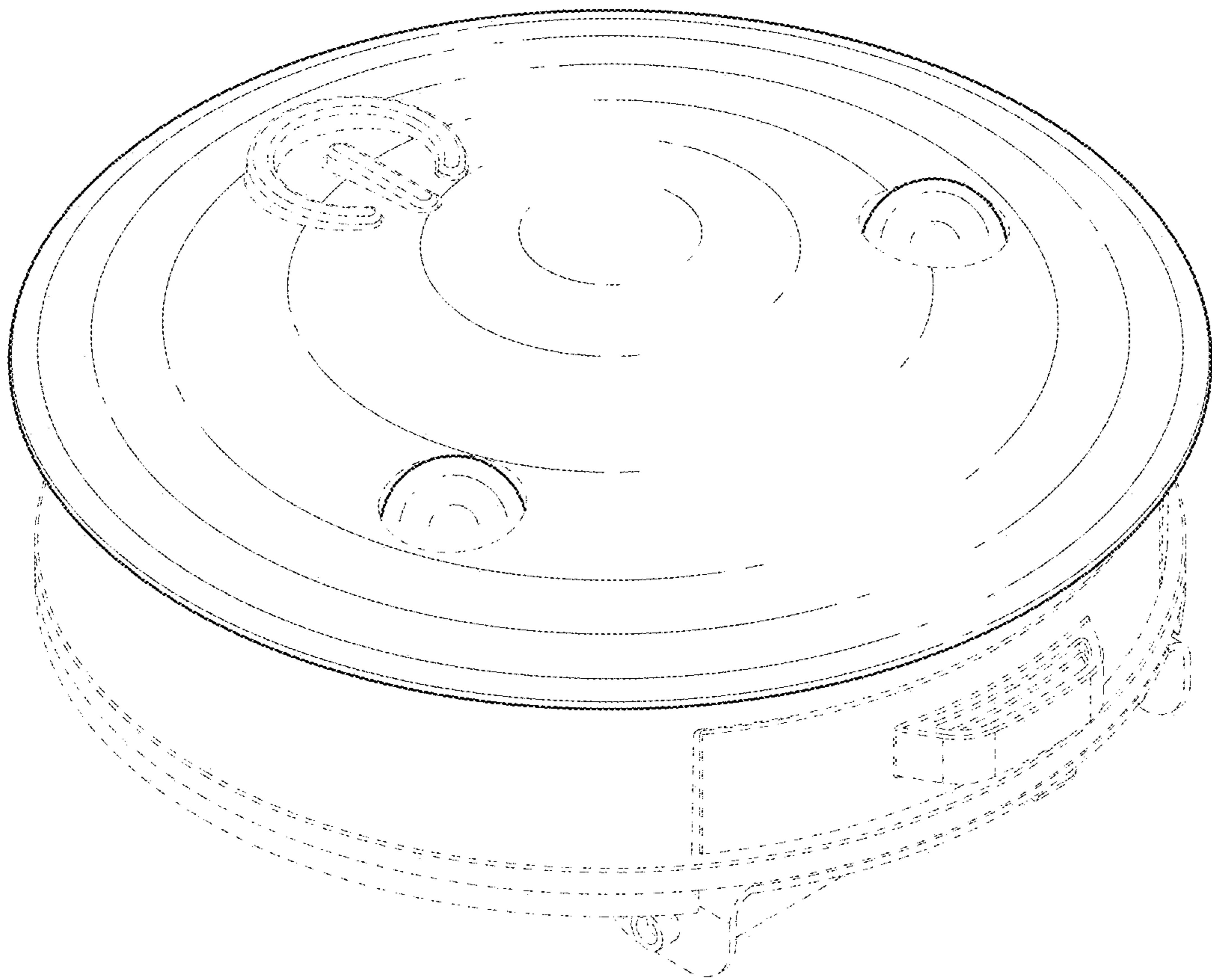


FIG. 1

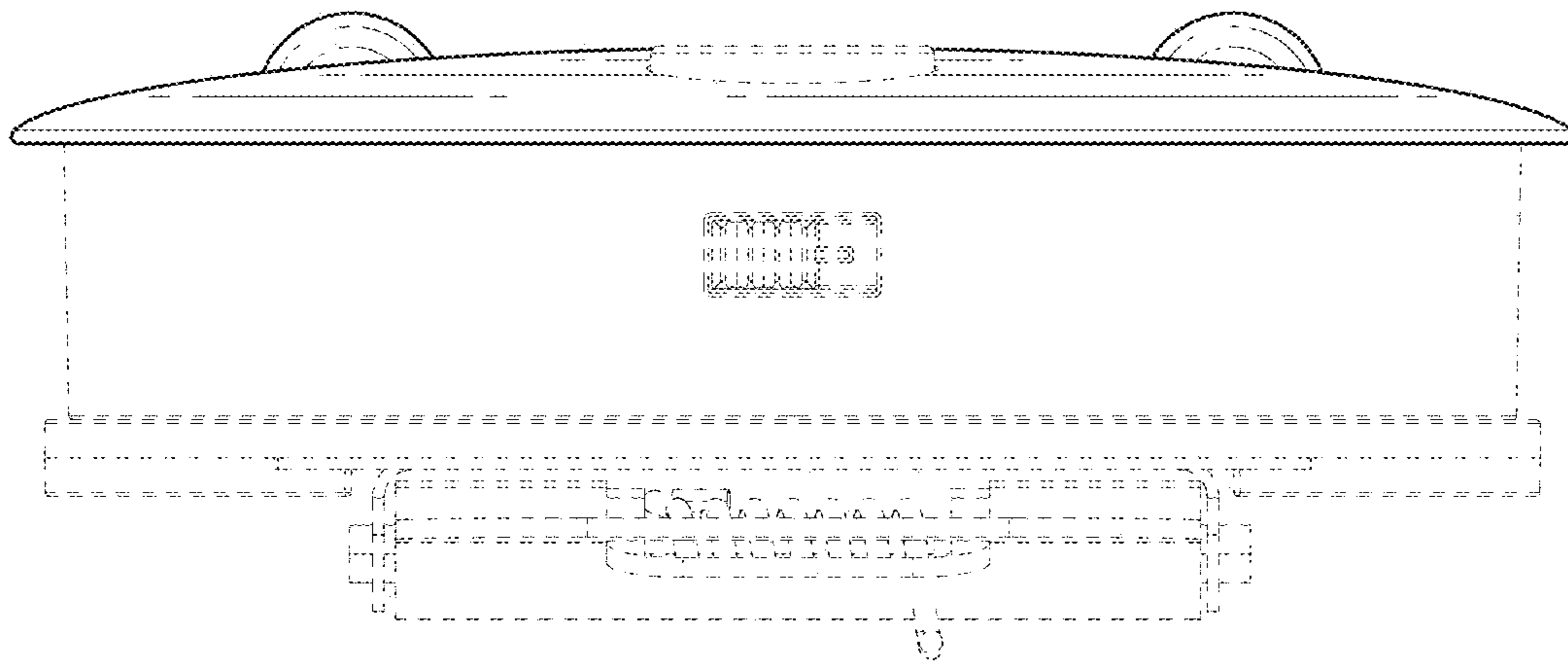


FIG. 2

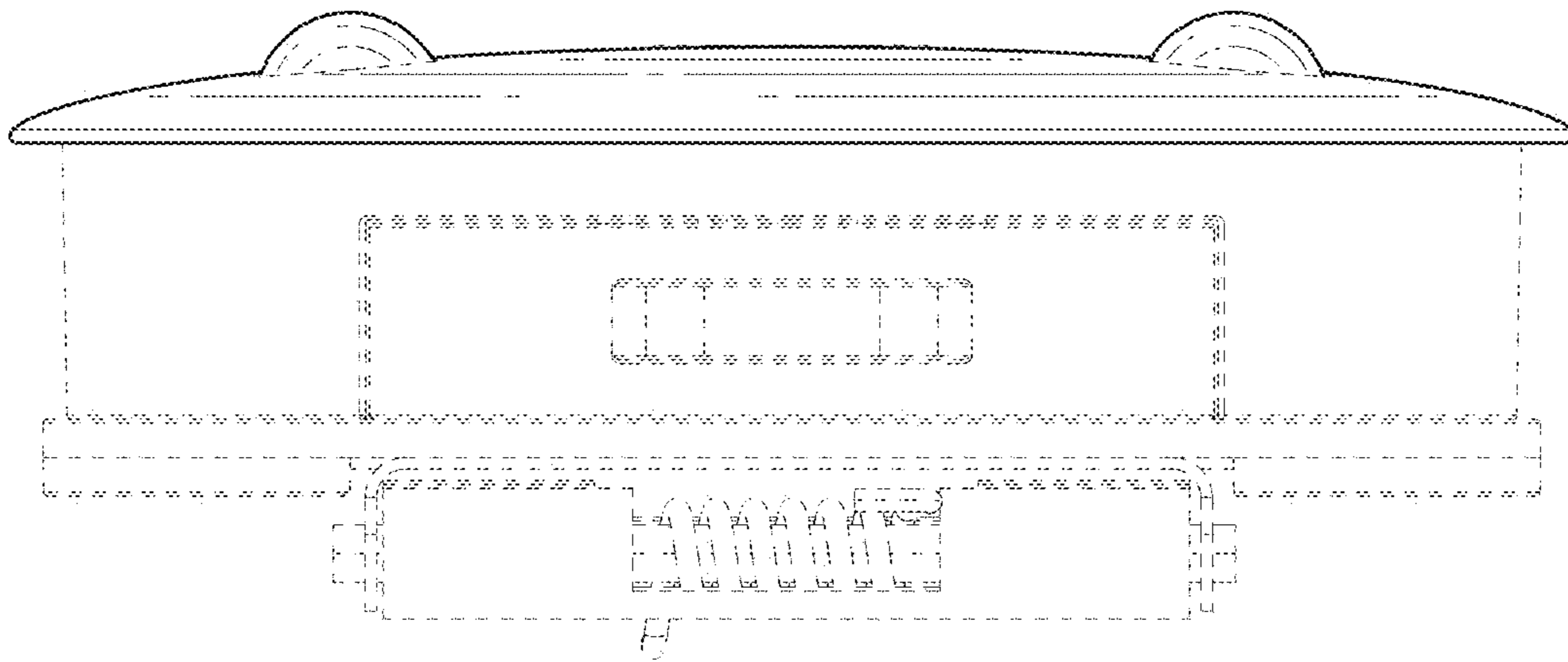


FIG. 3

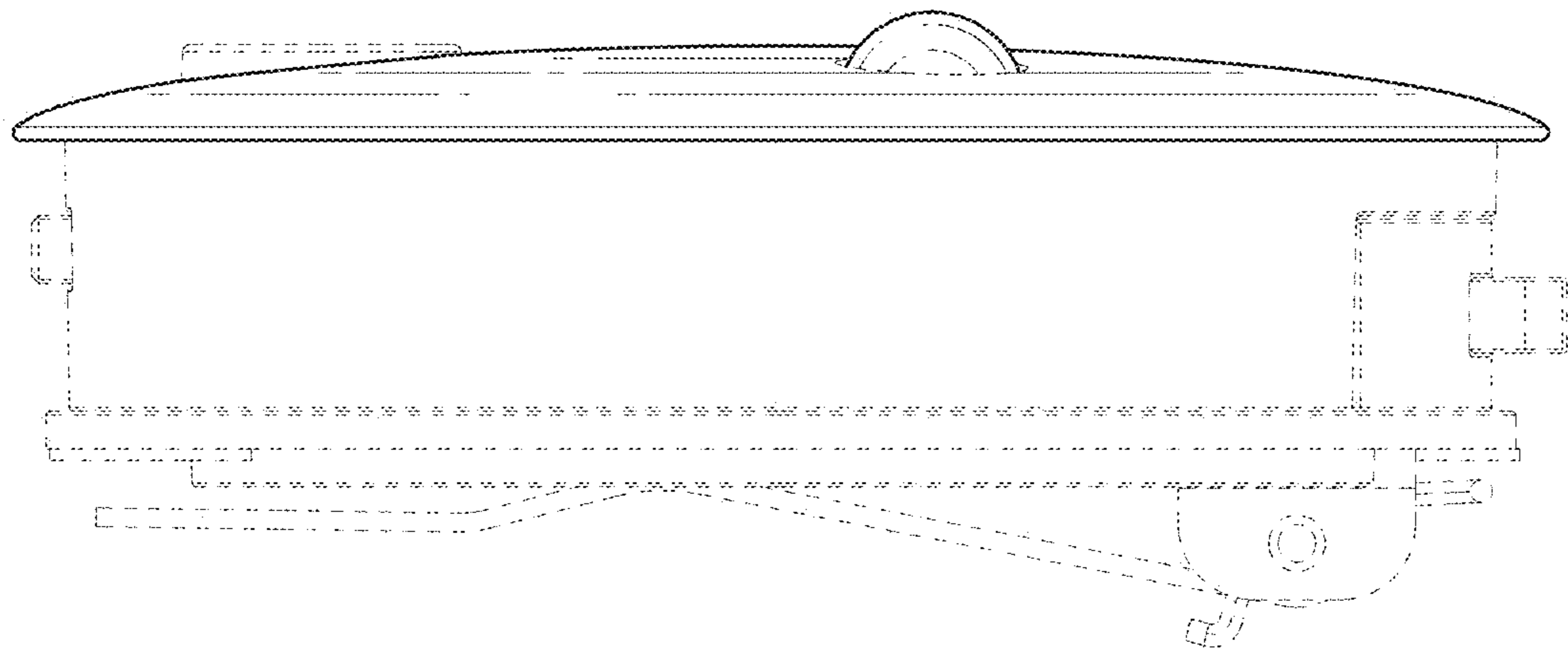


FIG. 4

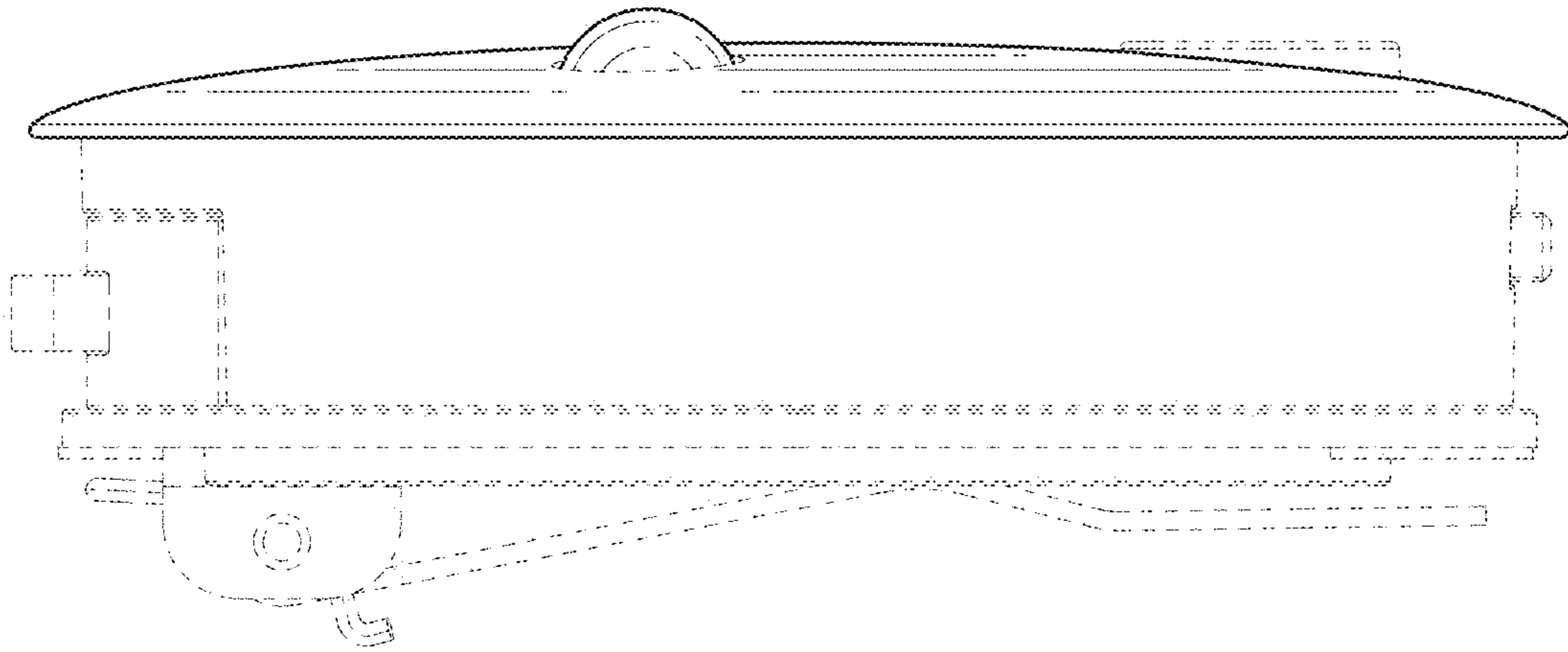


FIG. 5

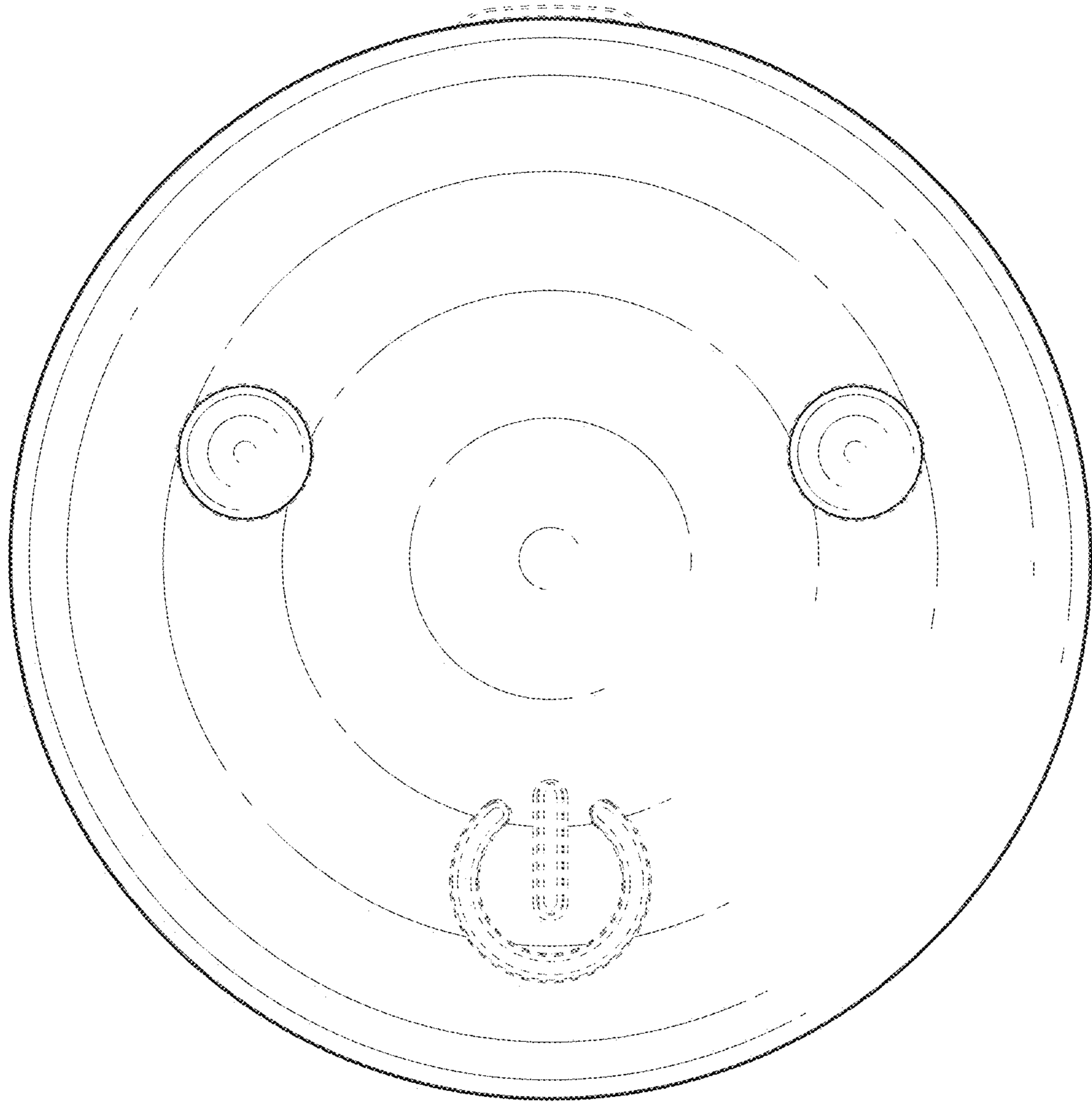


FIG. 6



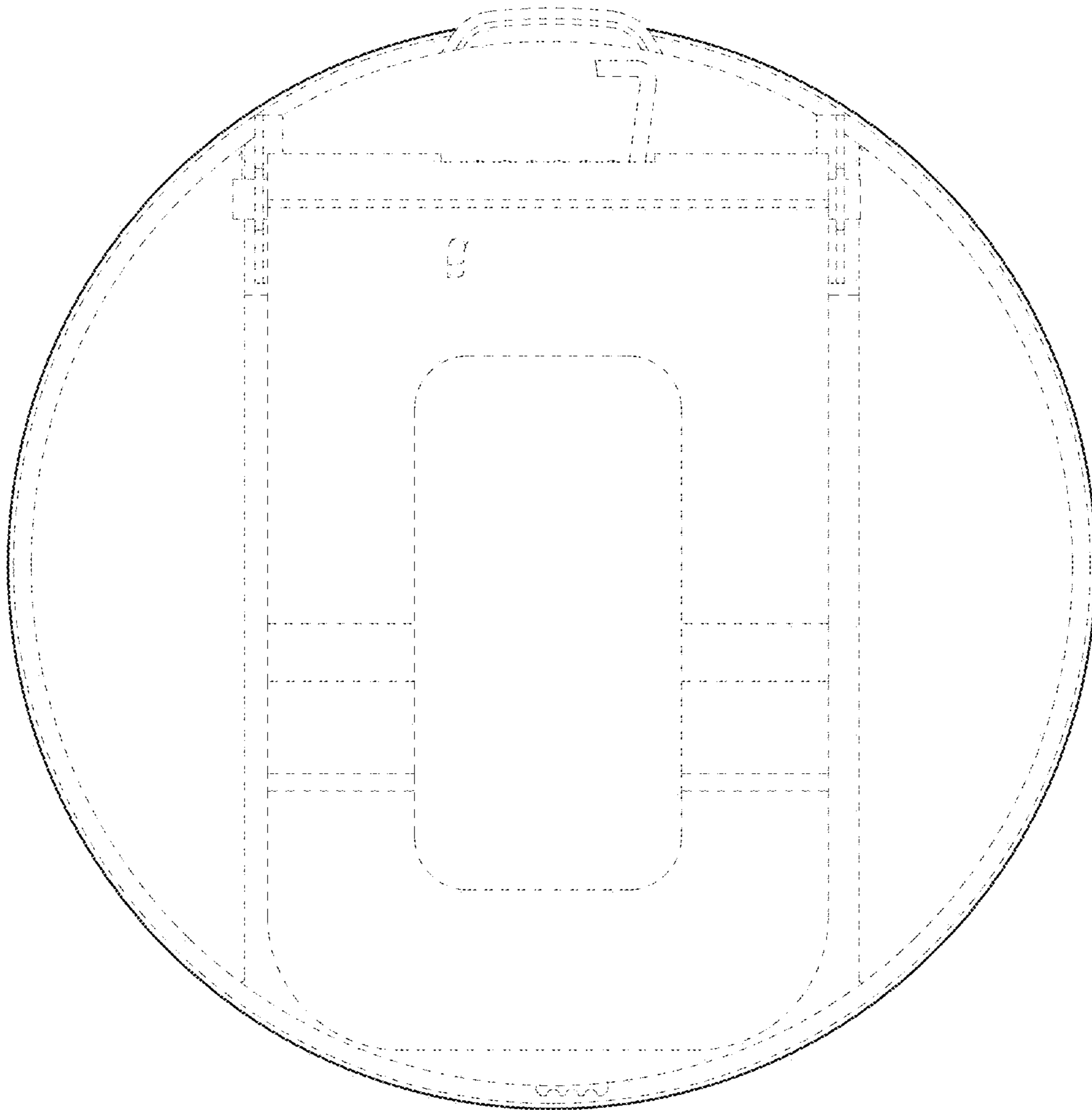


FIG. 7