



US00D956272S

(12) **United States Design Patent**
Gall et al.

(10) **Patent No.:** **US D956,272 S**
(45) **Date of Patent:** **** Jun. 28, 2022**

(54) **LIGHT**

(71) Applicant: **MILWAUKEE ELECTRIC TOOL CORPORATION**, Brookfield, WI (US)

(72) Inventors: **Benjamin D. Gall**, Milwaukee, WI (US); **Jason D. Thurner**, Menomonee Falls, WI (US)

(73) Assignee: **Milwaukee Electric Tool Corporation**, Brookfield, WI (US)

(**) Term: **15 Years**

(21) Appl. No.: **29/699,469**

(22) Filed: **Jul. 25, 2019**

(51) **LOC (13) Cl.** **26-05**

(52) **U.S. Cl.**
USPC **D26/24**

(58) **Field of Classification Search**
USPC ... D26/1, 24, 37, 39, 49, 60, 61–66, 72, 97;
D8/72, 73, 394, 396; D10/104.1, 106.1,
D10/114.1, 114.2, 114.3

CPC F21W 2107/00; F21W 2107/13; F21W
2107/17; F21S 9/00; F21S 9/02; F21S
41/18; F21S 41/19; F21S 41/192–198

See application file for complete search history.

(56) **References Cited**

U.S. PATENT DOCUMENTS

5,126,928 A	6/1992	Hughes	
D497,446 S *	10/2004	Kingston	D26/37
D523,984 S *	6/2006	Cai	D26/61
D562,480 S *	2/2008	Spartano	D26/37
D591,881 S *	5/2009	Crawford	D26/37
D599,928 S *	9/2009	Shiu	D26/49
D632,411 S *	2/2011	Vanderbeek	D26/48
8,262,248 B2	9/2012	Wessel	
D668,803 S *	10/2012	Yang	D26/46
D673,315 S *	12/2012	Milz	D26/49

D708,376 S *	7/2014	Crowe	D26/37
8,939,602 B2	1/2015	Wessel	
9,170,006 B2	10/2015	Cugini et al.	
9,222,633 B2	12/2015	Inskeep	
D750,303 S *	2/2016	Levy	D26/37
D757,972 S *	5/2016	Caito	D26/42
D765,898 S *	9/2016	Caito	D26/49
D767,183 S *	9/2016	Caito	D26/42
D778,475 S *	2/2017	Bao	D26/65
D794,236 S *	8/2017	Kovacik	D26/42
D799,095 S *	10/2017	Bao	D26/65
D799,096 S *	10/2017	Bao	D26/65
D810,335 S *	2/2018	Levy	D26/37

(Continued)

FOREIGN PATENT DOCUMENTS

CN	2867392 Y	2/2007
CN	201917754 U	8/2011

(Continued)

Primary Examiner — Clint A Samuel

(74) *Attorney, Agent, or Firm* — Michael Best & Friedrich LLP

(57) **CLAIM**

We claim the ornamental design for a light, as shown and described.

DESCRIPTION

FIG. 1 is a perspective view of a light embodying the invention.

FIG. 2 is a first end view of the light of FIG. 1.

FIG. 3 is a second end view of the light of FIG. 1.

FIG. 4 is a first side view of the light of FIG. 1.

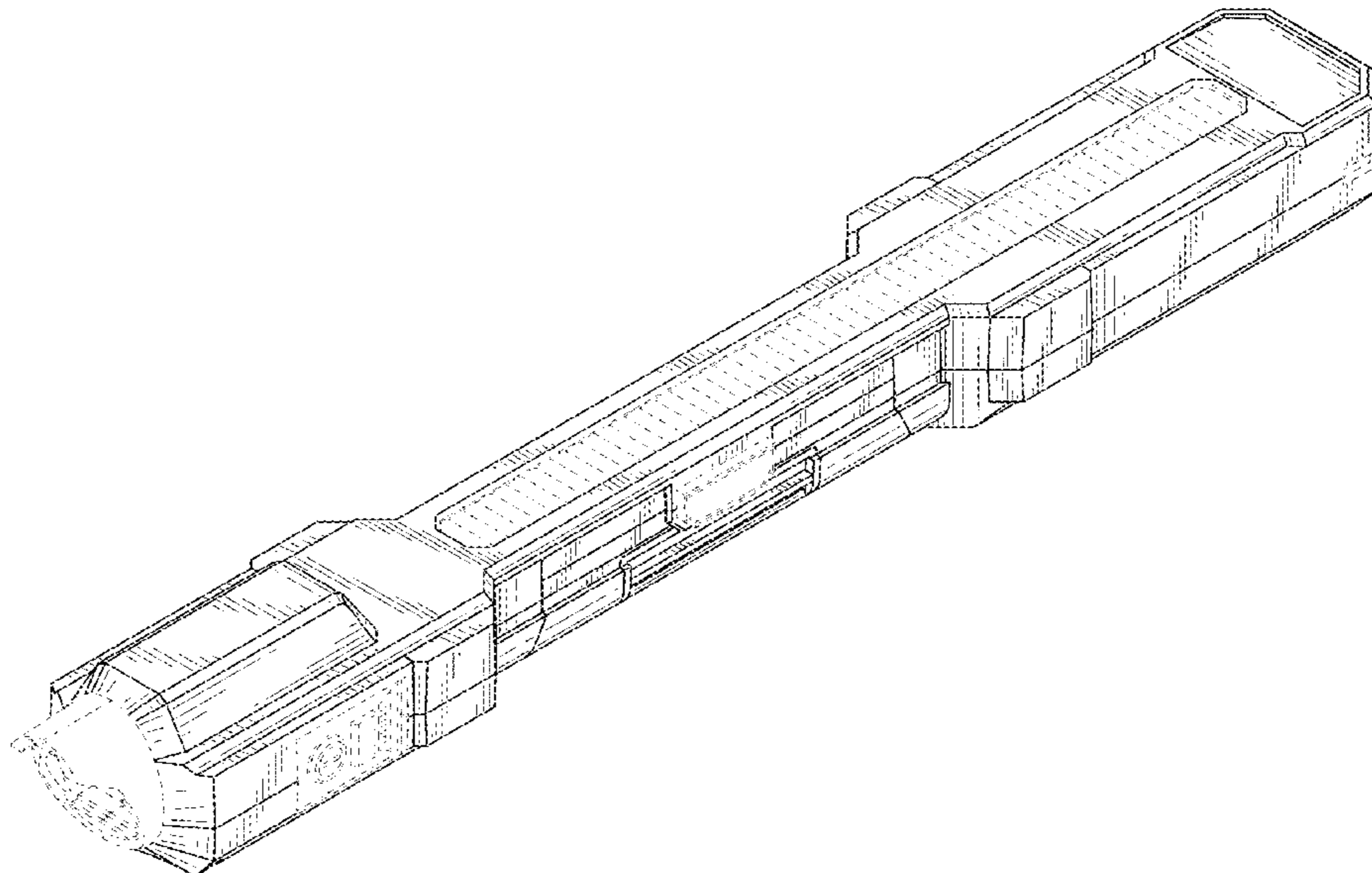
FIG. 5 is a second side view of the light of FIG. 1.

FIG. 6 is a front view of the light of FIG. 1; and,

FIG. 7 is a rear view of the light of FIG. 1.

The broken lines showing in the drawings are for the purpose of illustrating portions of the light and form no part of the claimed design.

1 Claim, 4 Drawing Sheets



(56)

References Cited

U.S. PATENT DOCUMENTS

D816,876	S	*	5/2018	Bao	D26/37
D824,063	S	*	7/2018	Hutchens	D26/60
D840,075	S	*	2/2019	Bao	D26/44
D840,079	S	*	2/2019	Marshall	D26/60
D850,684	S	*	6/2019	Zhang	D26/42
D854,207	S	*	7/2019	Zheng	D26/44
D870,941	S	*	12/2019	Vasquez	D26/37
D904,657	S	*	12/2020	Proeber	D26/42
D916,340	S	*	4/2021	Chen	D26/44
D917,087	S	*	4/2021	Qiu	D26/49
2016/0312967	A1		10/2016	Harvey et al.		
2017/0336056	A1*		11/2017	Fan	F21L 4/005
2017/0350577	A1		12/2017	Harvey et al.		

FOREIGN PATENT DOCUMENTS

CN	102937772	A	2/2013
CN	202914996	U	5/2013
CN	105953055	A	9/2016
CN	205782178	U	12/2016
CN	205859538	U	1/2017
DE	20205726	U1	8/2003
DE	102016118983	B3	1/2018
WO	15080767	A1	6/2015

* cited by examiner

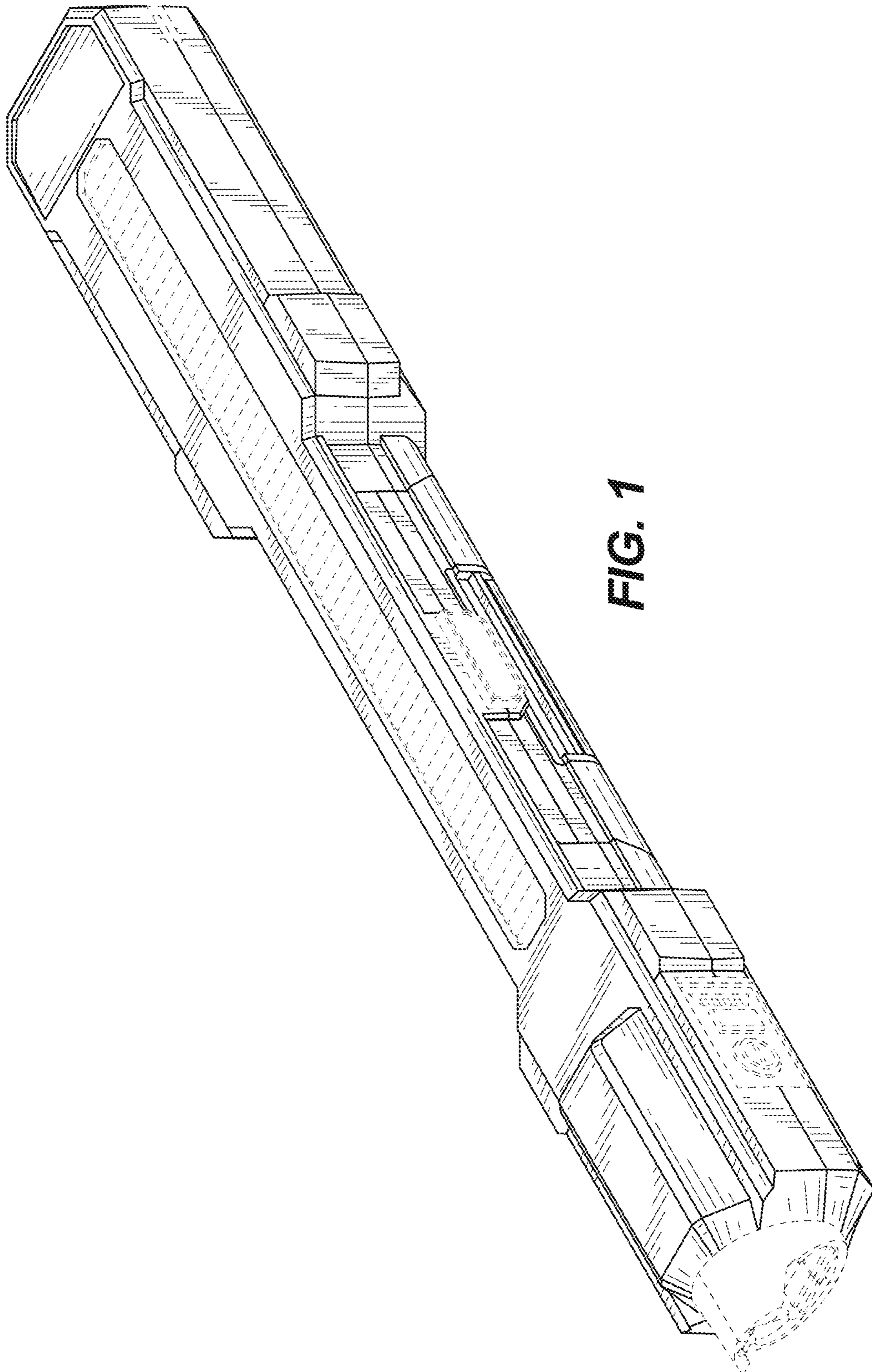


FIG. 1

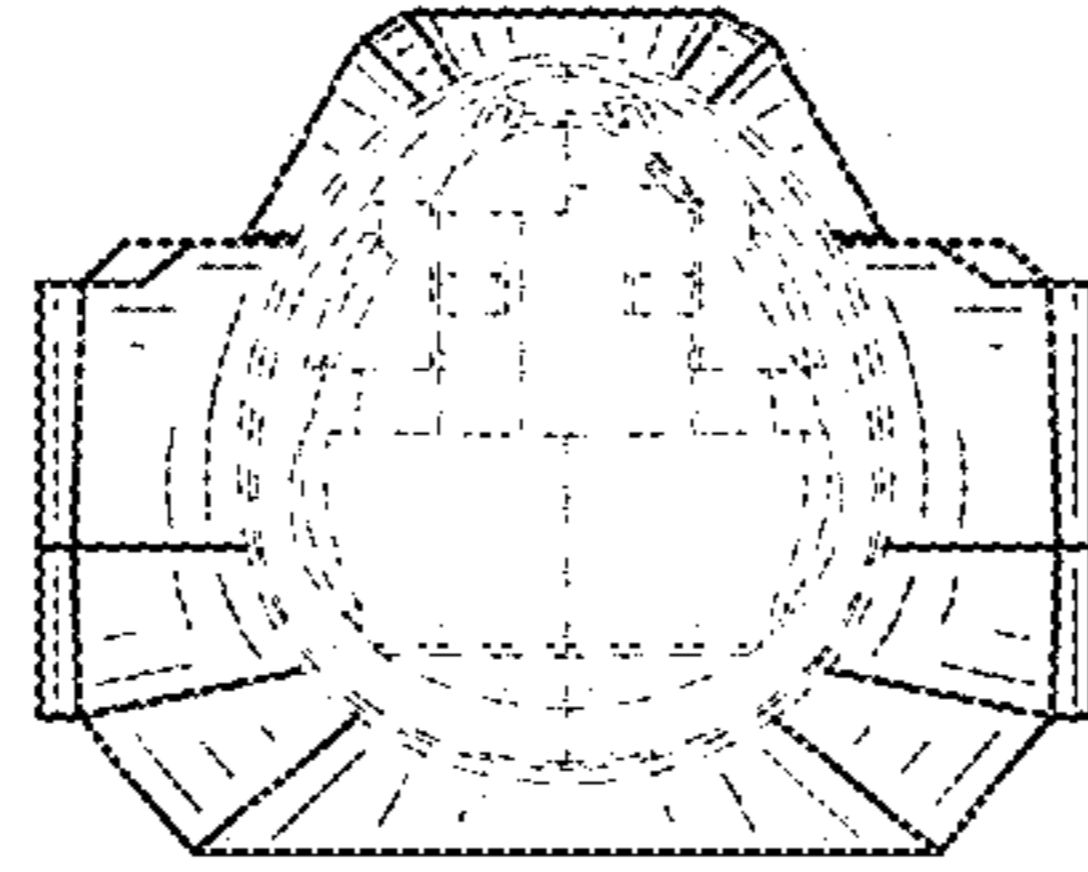


FIG. 2

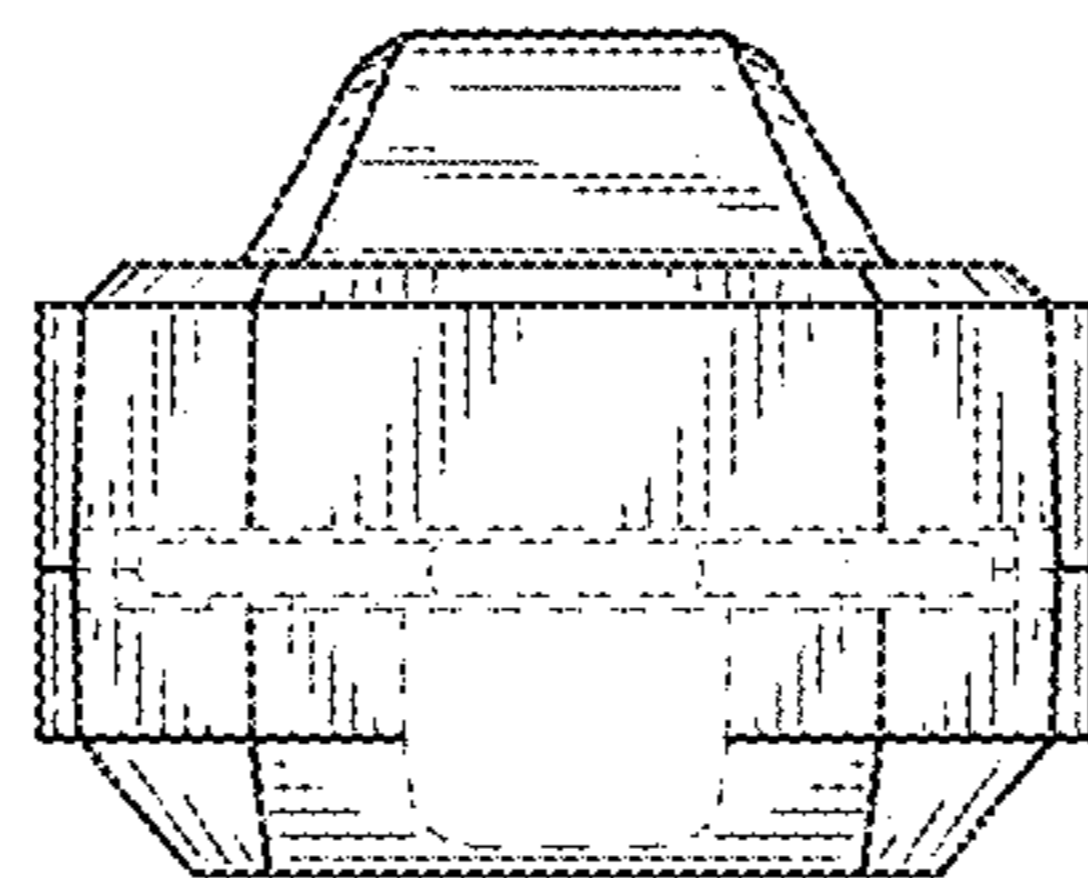


FIG. 3

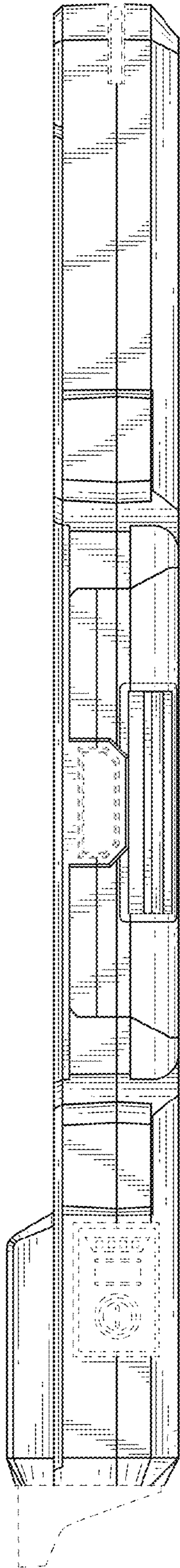


FIG. 4

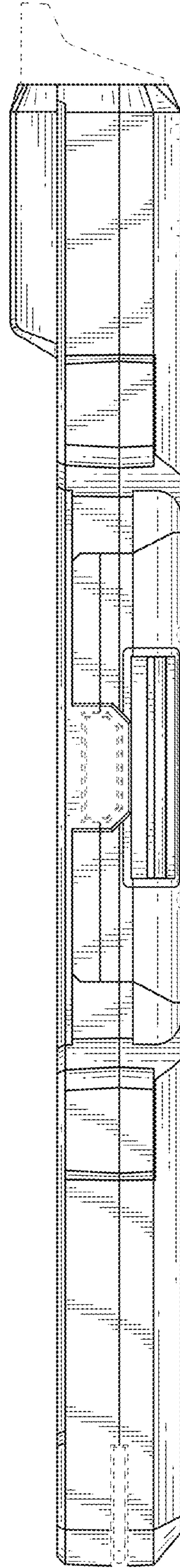


FIG. 5

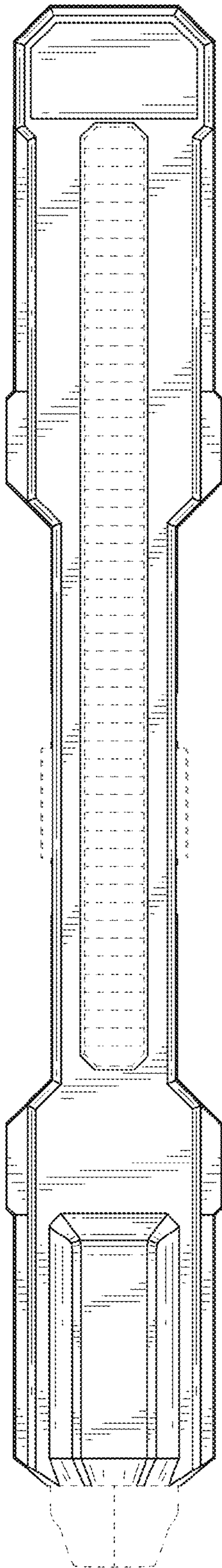


FIG. 6

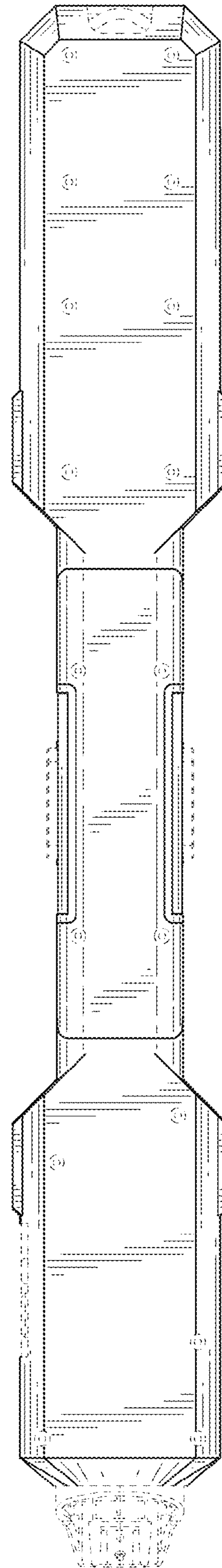


FIG. 7