

US00D956270S

(12) **United States Design Patent** (10) **Patent No.:** **US D956,270 S**
Meise (45) **Date of Patent:** **** Jun. 28, 2022**

(54) **ACOUSTIC INSULATION BOARD**

(56) **References Cited**

(71) Applicant: **Axel & Susann Meise**
Beteiligungsgesellschaft mbH,
Starnberg (DE)

U.S. PATENT DOCUMENTS

(72) Inventor: **Axel Meise, Munich (DE)**

4,867,271 A * 9/1989 Tschudin-Mahrer
G10K 11/168
181/290
D736,416 S * 8/2015 Palmeri D25/138
D794,835 S * 8/2017 Van Dore D25/138
D796,069 S * 8/2017 Van Dore D25/138
D796,699 S * 9/2017 Van Dore D25/138
2017/0061949 A1 * 3/2017 Ayres E04B 1/86
2020/0074973 A1 * 3/2020 McKinley B32B 27/34
2020/0239125 A1 * 7/2020 Prakash G10K 11/162

(73) Assignee: **Axel & Susann Meise**
Beteiligungsgesellschaft mbH,
Starnberg (DE)

(**) Term: **15 Years**

* cited by examiner

(21) Appl. No.: **29/768,254**

Primary Examiner — Doris Clark

(22) Filed: **Jan. 28, 2021**

(74) *Attorney, Agent, or Firm* — Winstead PC

(30) **Foreign Application Priority Data**

(57) **CLAIM**

Jul. 29, 2020 (EM) 008057434-0023

The ornamental design for an acoustic insulation board, as shown and described.

(51) **LOC (13) Cl.** **25-01**

DESCRIPTION

(52) **U.S. Cl.**

USPC **D25/138**

FIG. 1 is a perspective view of an acoustic insulation board in accordance with the design;

(58) **Field of Classification Search**

USPC D25/138

CPC G10K 11/36; G10K 11/16; G10K 11/02;

G10K 11/04; G10K 11/17861; B64C

1/40; E04B 1/84; E04B 2001/8457; E04B

2001/8254; E04B 1/8409; E04B 1/86;

E04B 1/99; E04B 2002/0206; E04B

2002/0213

FIG. 2 is a top plan view thereof;

FIG. 3 is a bottom plan view thereof; and

FIG. 4 is a front elevation view thereof, with the back

elevation view being identical to the front elevation view;

and,

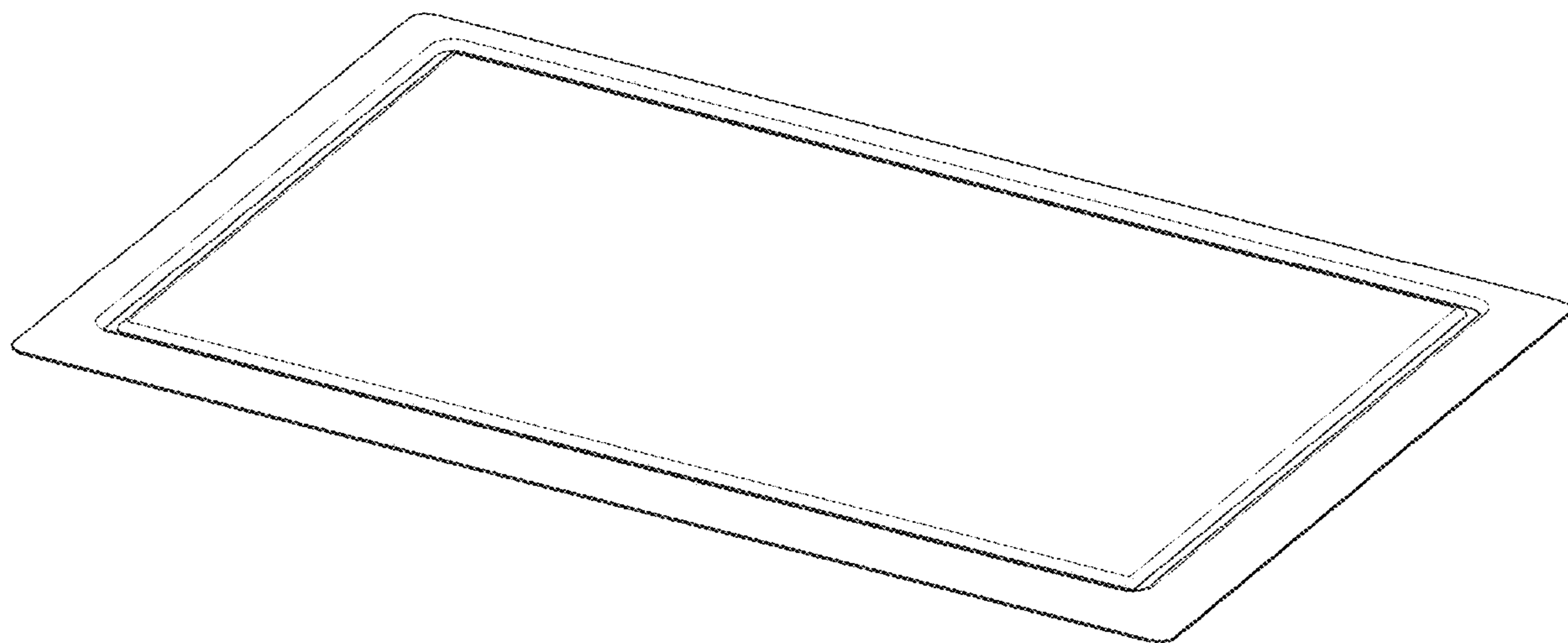
FIG. 5 is a right-side elevation view thereof, with the

left-side elevation view being identical to the right-side

elevation view.

See application file for complete search history.

1 Claim, 5 Drawing Sheets



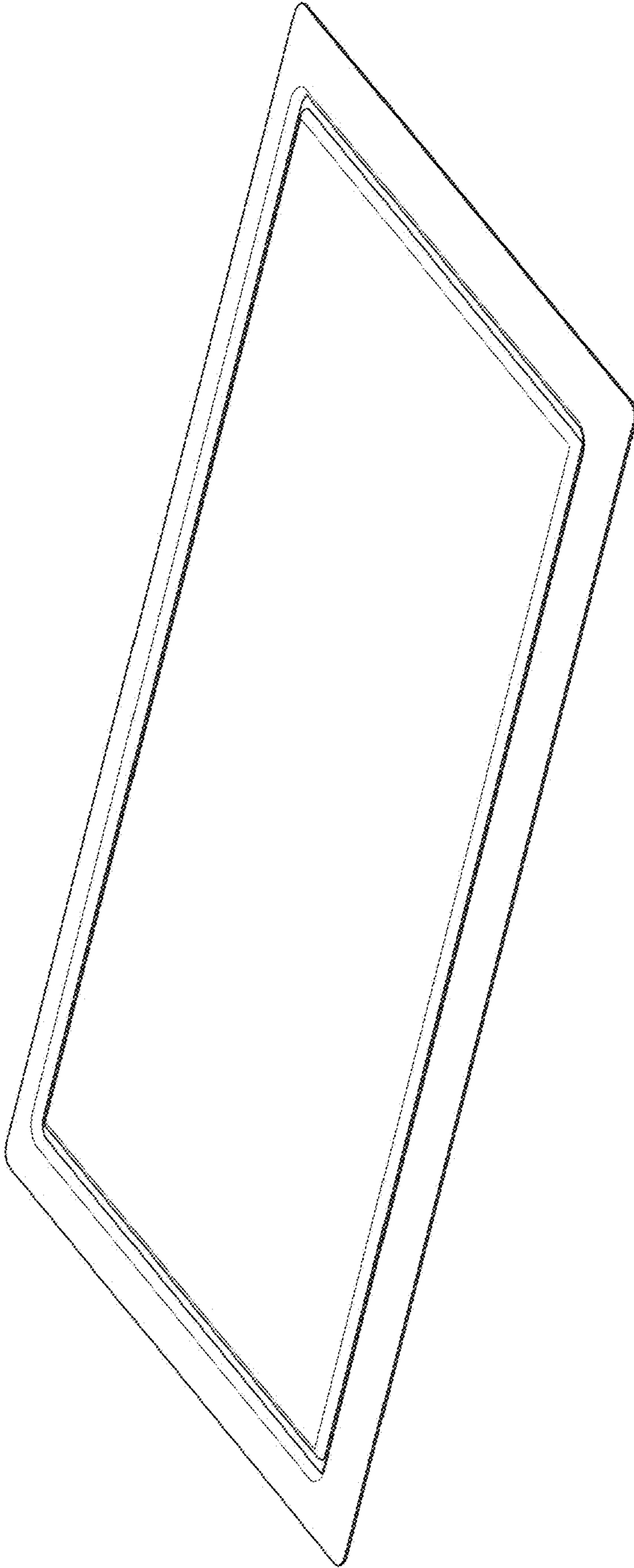


FIG. 1

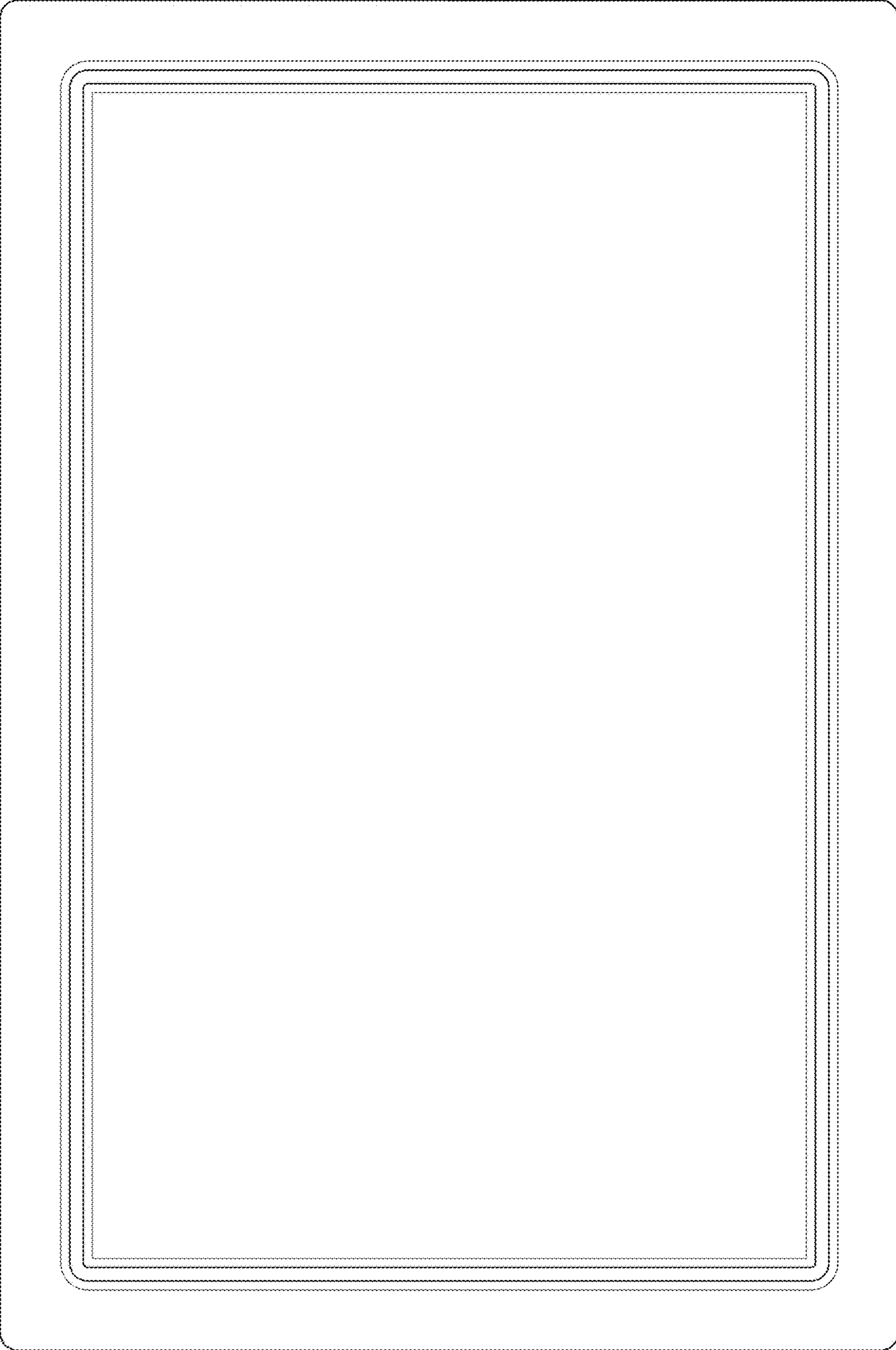


FIG. 2

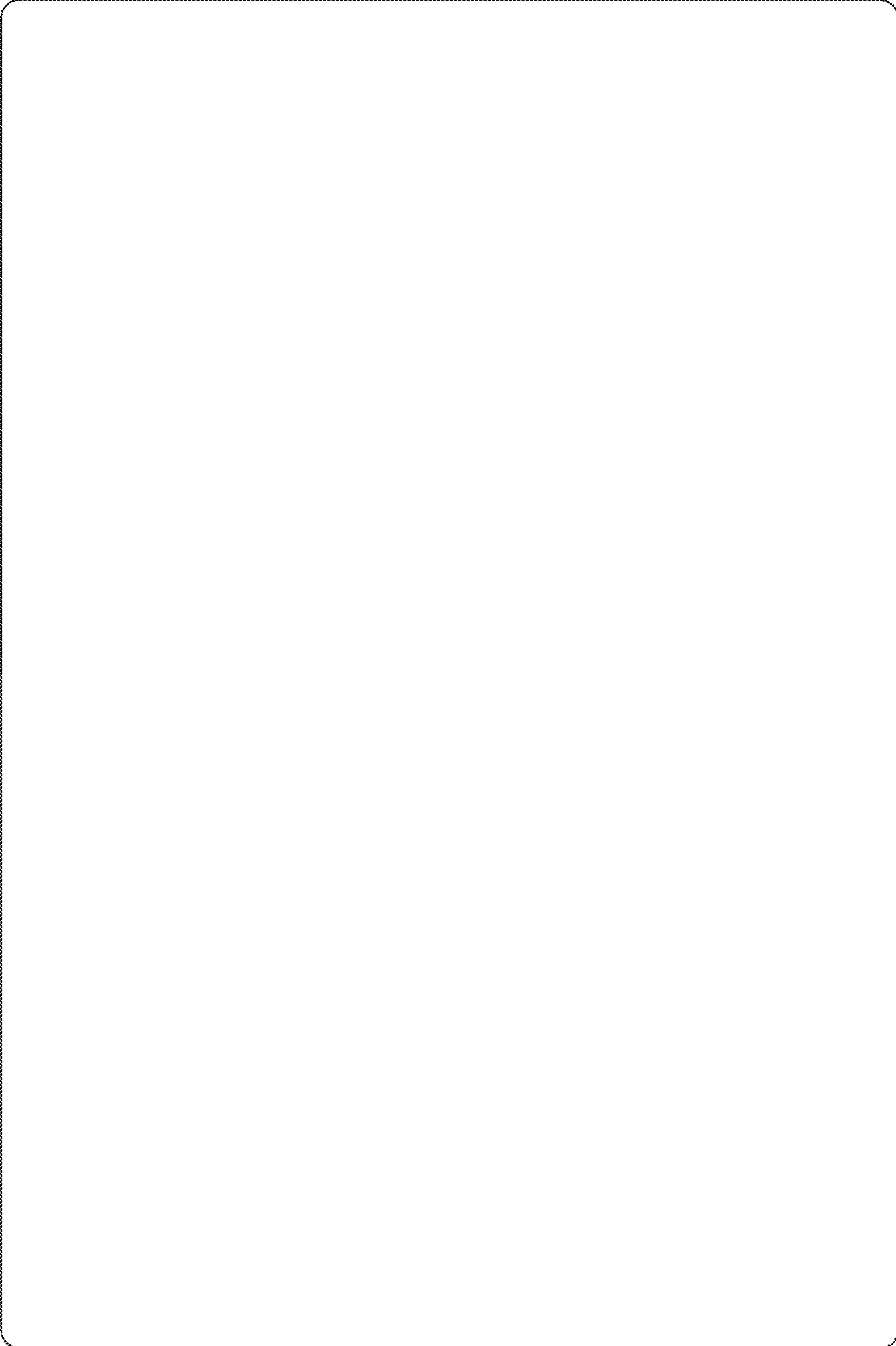


FIG. 3

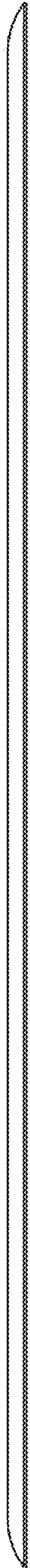


FIG. 4



FIG. 5