



US00D956268S

(12) **United States Design Patent**
Langeveld

(10) **Patent No.:** **US D956,268 S**
(45) **Date of Patent:** **** Jun. 28, 2022**

(54) **CEILING PANEL**

(71) Applicant: **Hunter Douglas Industries B.V.**,
Rotterdam (NL)

(72) Inventor: **Michiel Jacobus Johannes Langeveld**,
Zoetermeer (NL)

(73) Assignee: **Hunter Douglas Industries B.V.**,
Rotterdam (NL)

(**) Term: **15 Years**

(21) Appl. No.: **29/722,479**

(22) Filed: **Jan. 30, 2020**

(30) **Foreign Application Priority Data**

Aug. 1, 2019 (EP) 006676086

(51) **LOC (13) Cl.** **25-01**

(52) **U.S. Cl.**
USPC **D25/138**

(58) **Field of Classification Search**
USPC D25/119, 121, 126, 135, 138, 164, 60,
D25/61, 68, 58, 136

(Continued)

(56) **References Cited**

U.S. PATENT DOCUMENTS

2,284,898 A * 6/1942 Hartman E04C 3/09
52/654.1

D169,441 S 4/1953 Huddles
(Continued)

FOREIGN PATENT DOCUMENTS

CA 2997831 A1 * 3/2017 E04B 9/26
WO WO 2017/042269 3/2017
WO WO 2018/007600 1/2018

Primary Examiner — Doris Clark

(74) *Attorney, Agent, or Firm* — Dority & Manning, P.A.

(57) **CLAIM**

The ornamental design for a ceiling panel, as shown and described.

DESCRIPTION

FIG. 1 is a top perspective view of one embodiment of a ceiling panel according to an aspect of the present subject matter.

FIG. 2 is a bottom perspective view of the ceiling panel illustrated in FIG. 1.

FIG. 3 is an enlarged view of a portion of the ceiling panel illustrated in FIG. 1.

FIG. 4 is an end view of the ceiling panel illustrated in FIG. 1.

FIG. 5 is a top perspective view of another embodiment of a ceiling panel according to an aspect of the present subject matter.

FIG. 6 is a bottom perspective view of the ceiling panel illustrated in FIG. 5.

FIG. 7 is an enlarged view of a portion of the ceiling panel illustrated in FIG. 5.

FIG. 8 is an end view of the ceiling panel illustrated in FIG. 5.

FIG. 9 is a top perspective view of a further embodiment of a ceiling panel according to an aspect of the present subject matter.

FIG. 10 is a bottom perspective view of the ceiling panel illustrated in FIG. 9.

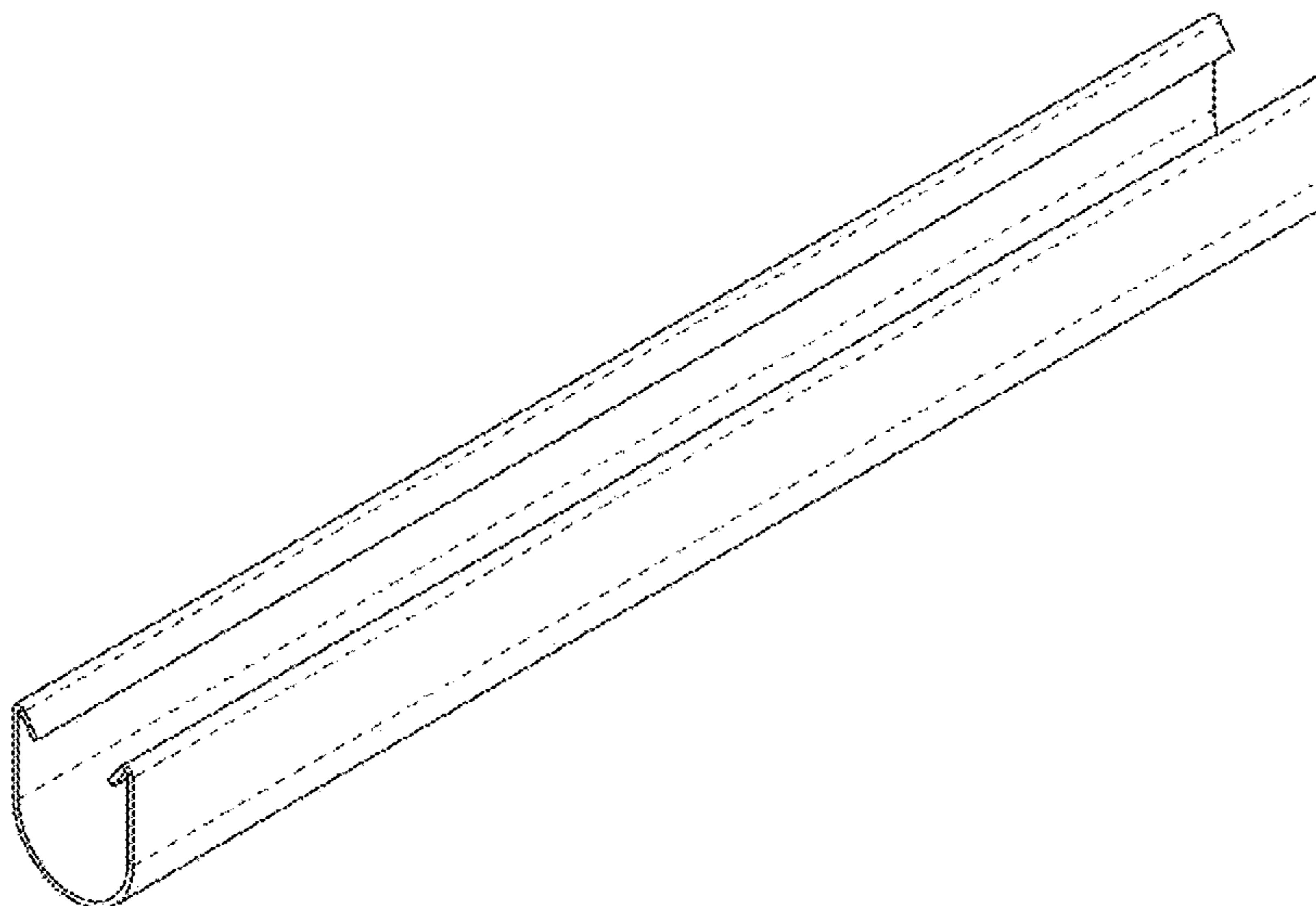
FIG. 11 is an enlarged view of a portion of the ceiling panel illustrated in FIG. 9; and,

FIG. 12 is an end view of the ceiling panel illustrated in FIG. 9.

The dashed or broken lines contained within the figures represent portions of the disclosed ceiling panel that form no part of the claimed design.

The break lines contained within the partial views (e.g., FIGS. 3, 7, and 11) of the ceiling panel form no part of the claimed design.

1 Claim, 12 Drawing Sheets



(58) **Field of Classification Search**

CPC . E04F 19/028; E04F 19/0463; E04F 19/0468;
 E04F 19/0481; E04F 19/0486; E04F
 19/0495; E04F 19/062; E04F 19/083;
 E04F 19/08; E04F 19/02; E04F 17/04;
 E04F 17/00; E04B 9/00; E04B 9/003;
 E04B 9/005; E04B 9/04; E04B 9/0407;
 E04B 9/0471; E04B 9/22; E04B 9/225;
 E04B 9/245; E04B 9/247; E04B 9/26;
 E04B 9/28; E04B 9/345; E04B 9/36

See application file for complete search history.

4,408,427 A 10/1983 Zilch
 D354,574 S * 1/1995 Lim D25/138
 D502,037 S 2/2005 Nien
 D541,094 S 4/2007 Yu et al.
 D621,964 S 8/2010 Zadeh
 D735,363 S * 7/2015 Moller D25/136
 D755,994 S * 5/2016 Oetlinger D25/121
 9,540,819 B1 1/2017 Boyd
 9,644,652 B2 * 5/2017 Hertweck F16B 1/00
 D795,454 S 8/2017 Curtin et al.
 10,060,460 B1 8/2018 Winn
 10,294,675 B2 5/2019 Langeveld
 10,385,563 B2 * 8/2019 Albartus E04B 1/4107
 D861,919 S * 10/2019 Mannhardt D25/121
 2004/0068938 A1 4/2004 Chen
 2005/0005565 A1 * 1/2005 McSharry E04F 19/026
 52/716.5

(56) **References Cited**

U.S. PATENT DOCUMENTS

2,836,859 A * 6/1958 Crissey E04B 9/00
 52/22
 3,139,162 A * 6/1964 Spangenberg E04B 9/26
 52/506.08
 3,164,230 A * 1/1965 Adams E04B 9/26
 52/506.09
 4,065,218 A 12/1977 Biggane
 4,396,685 A 8/1983 Jury

2015/0322675 A1 11/2015 Shih
 2015/0337538 A1 11/2015 Florenske et al.
 2017/0175397 A1 6/2017 Komatsu
 2018/0009155 A1 1/2018 Langeveld et al.
 2018/0245344 A1 8/2018 Venjen-Jensen et al.
 2019/0024373 A1 1/2019 Langeveld
 2019/0186134 A1 6/2019 Langeveld et al.

* cited by examiner

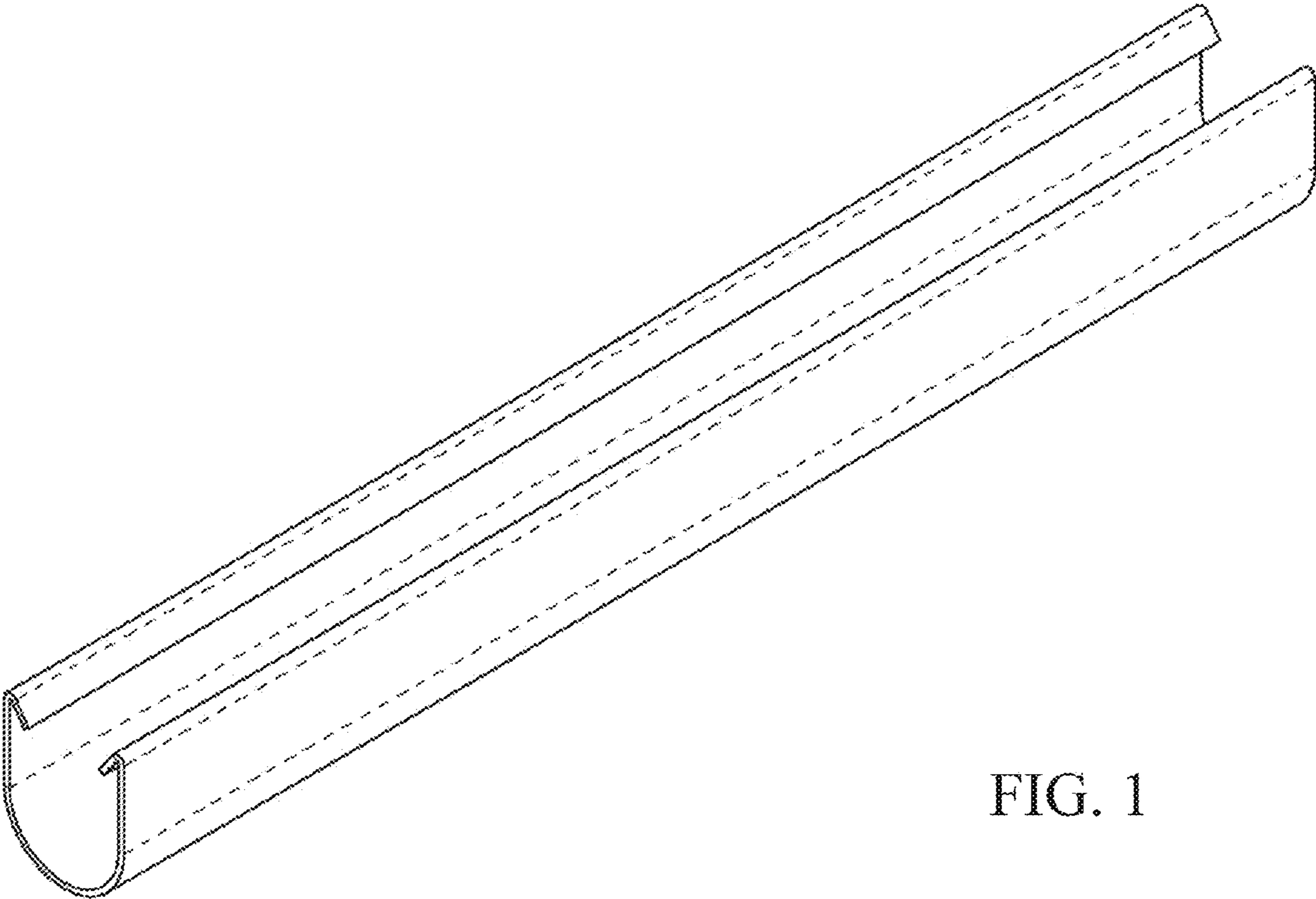


FIG. 1

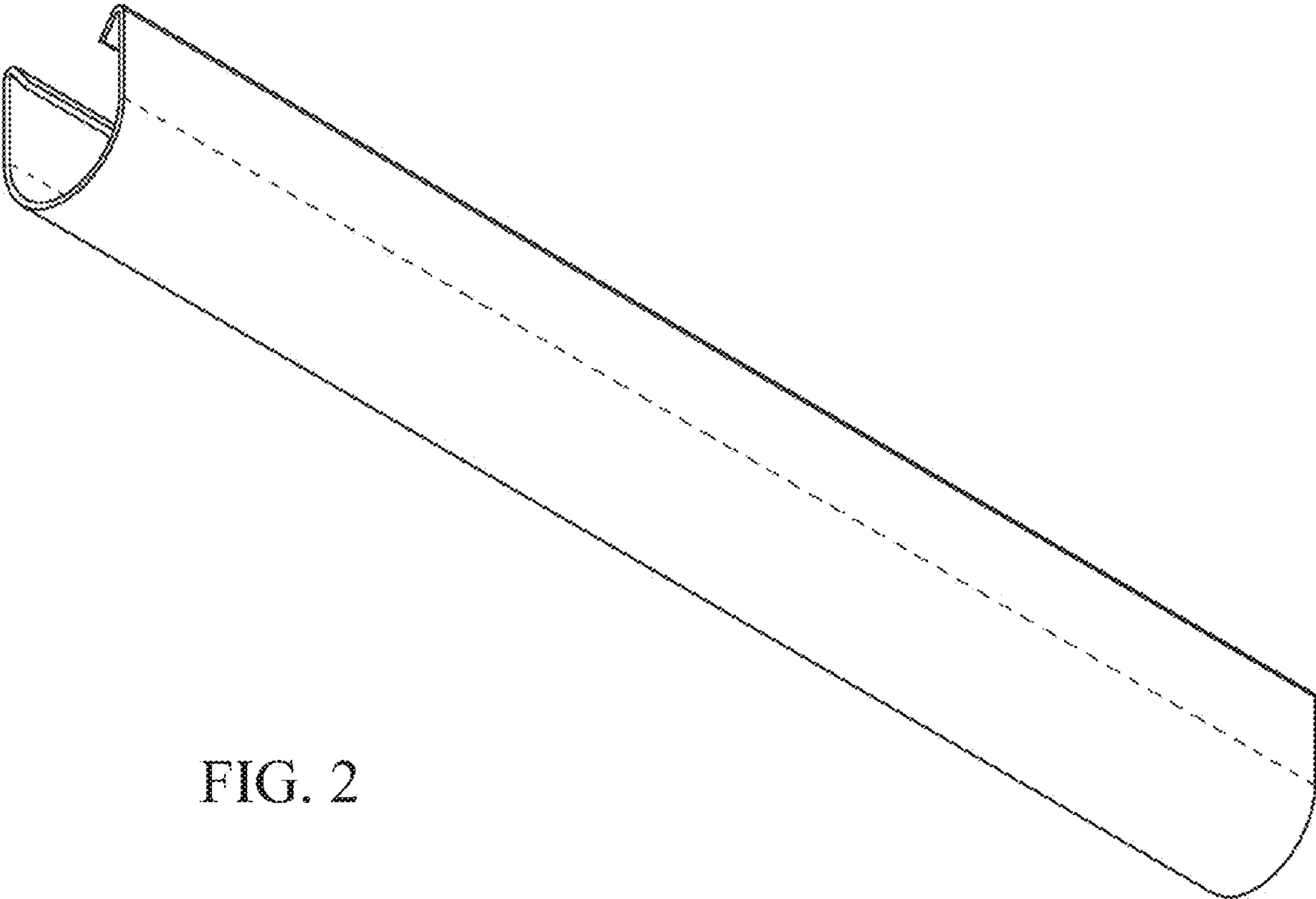


FIG. 2

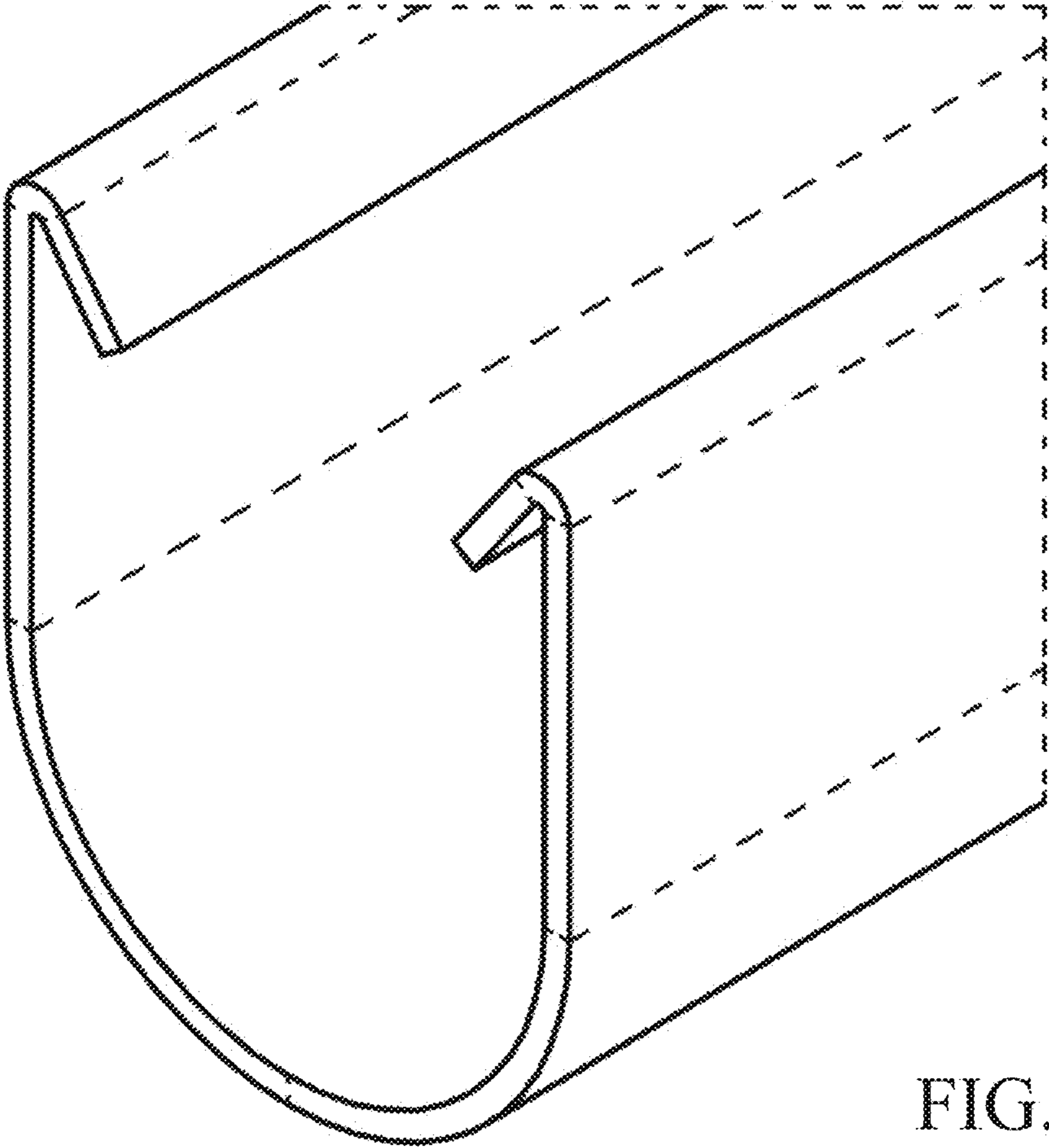


FIG. 3

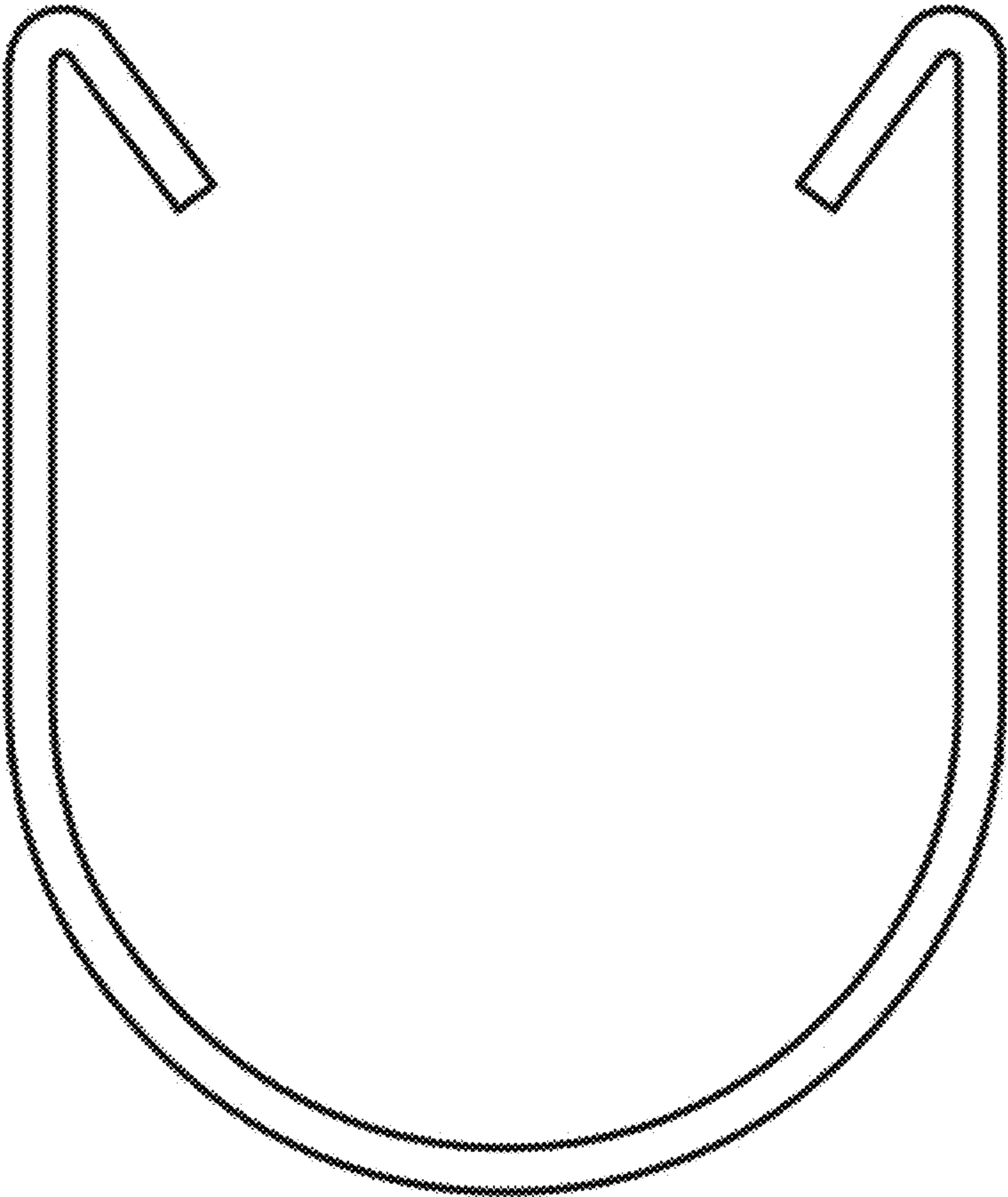


FIG. 4

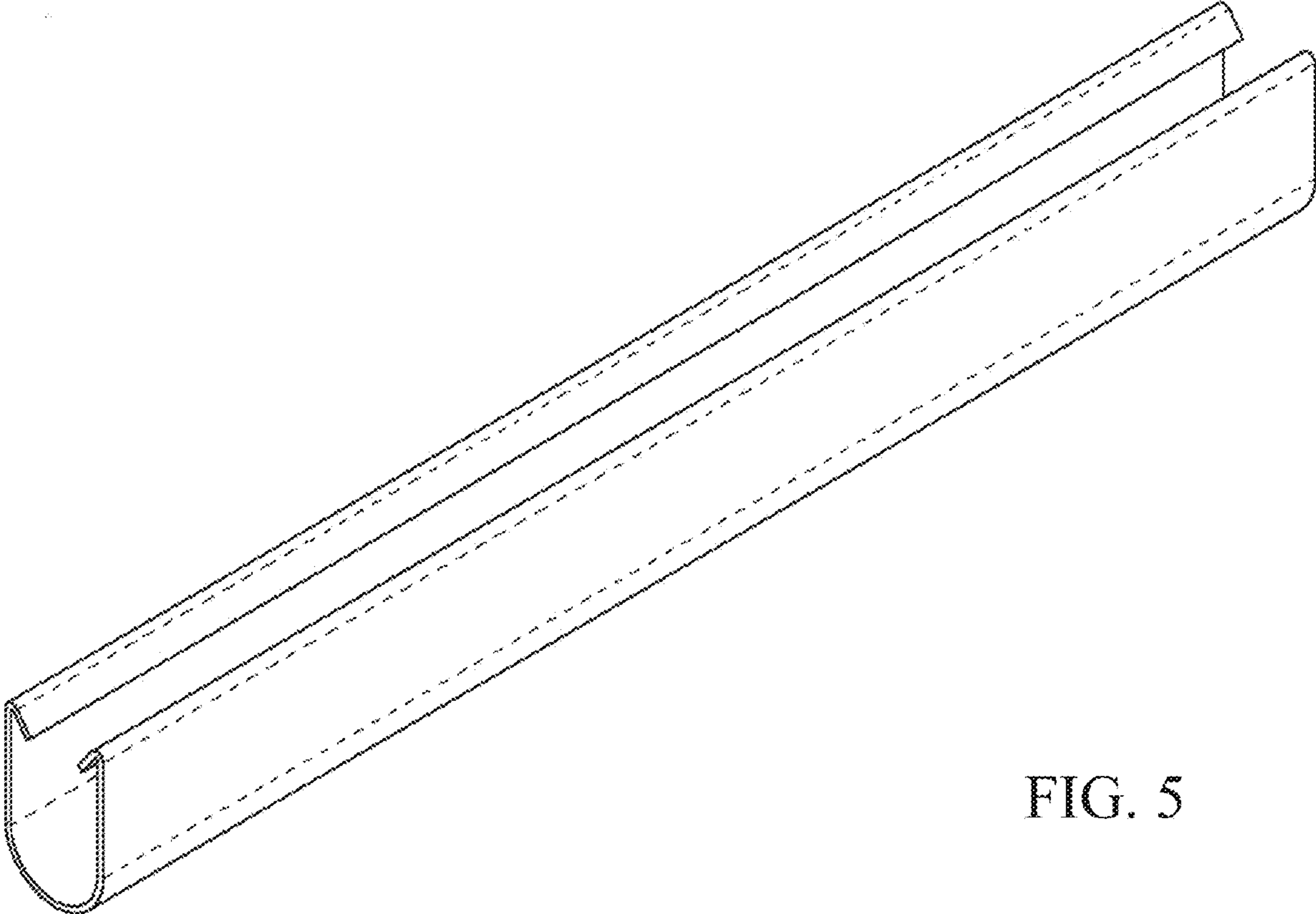


FIG. 5

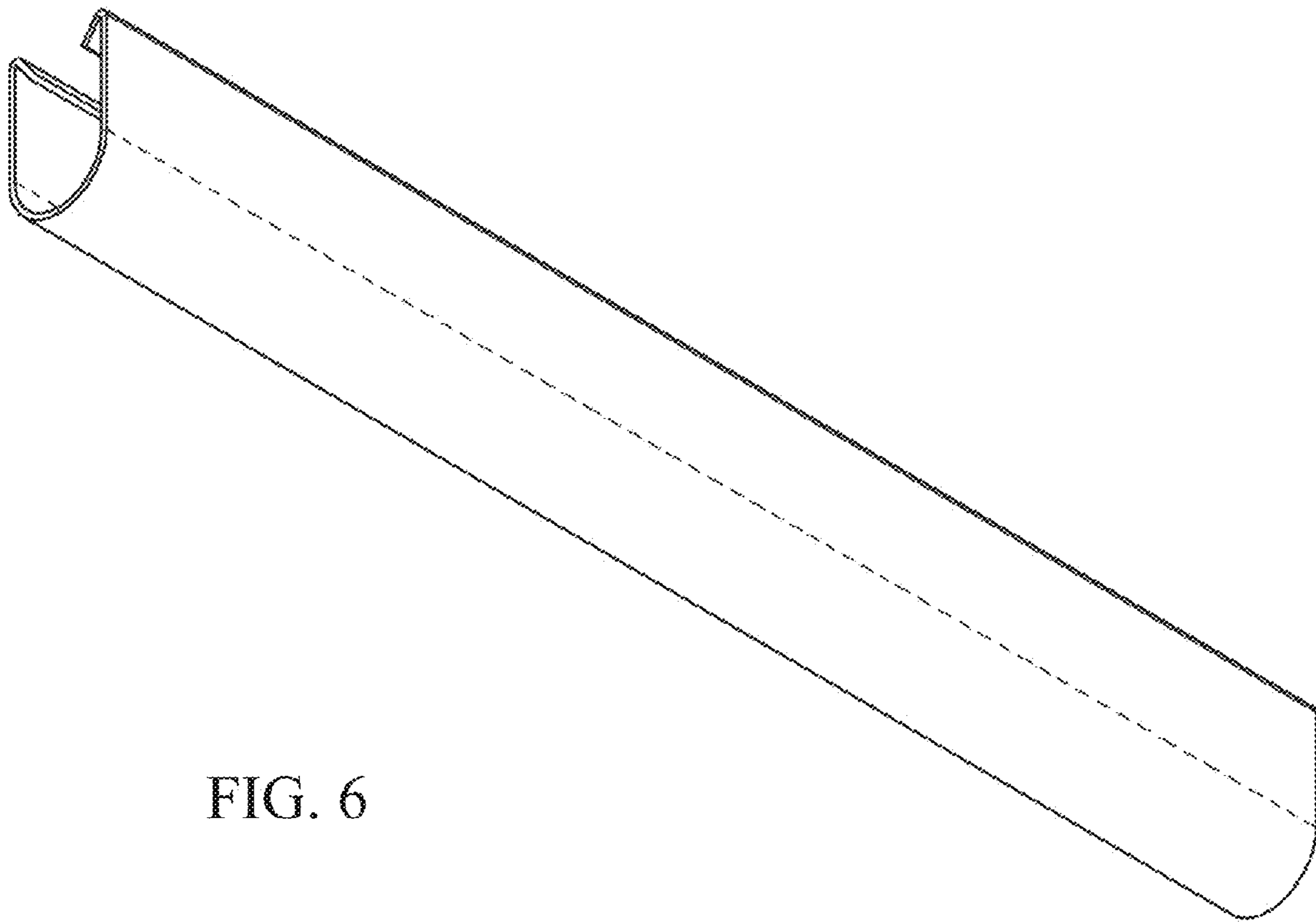


FIG. 6

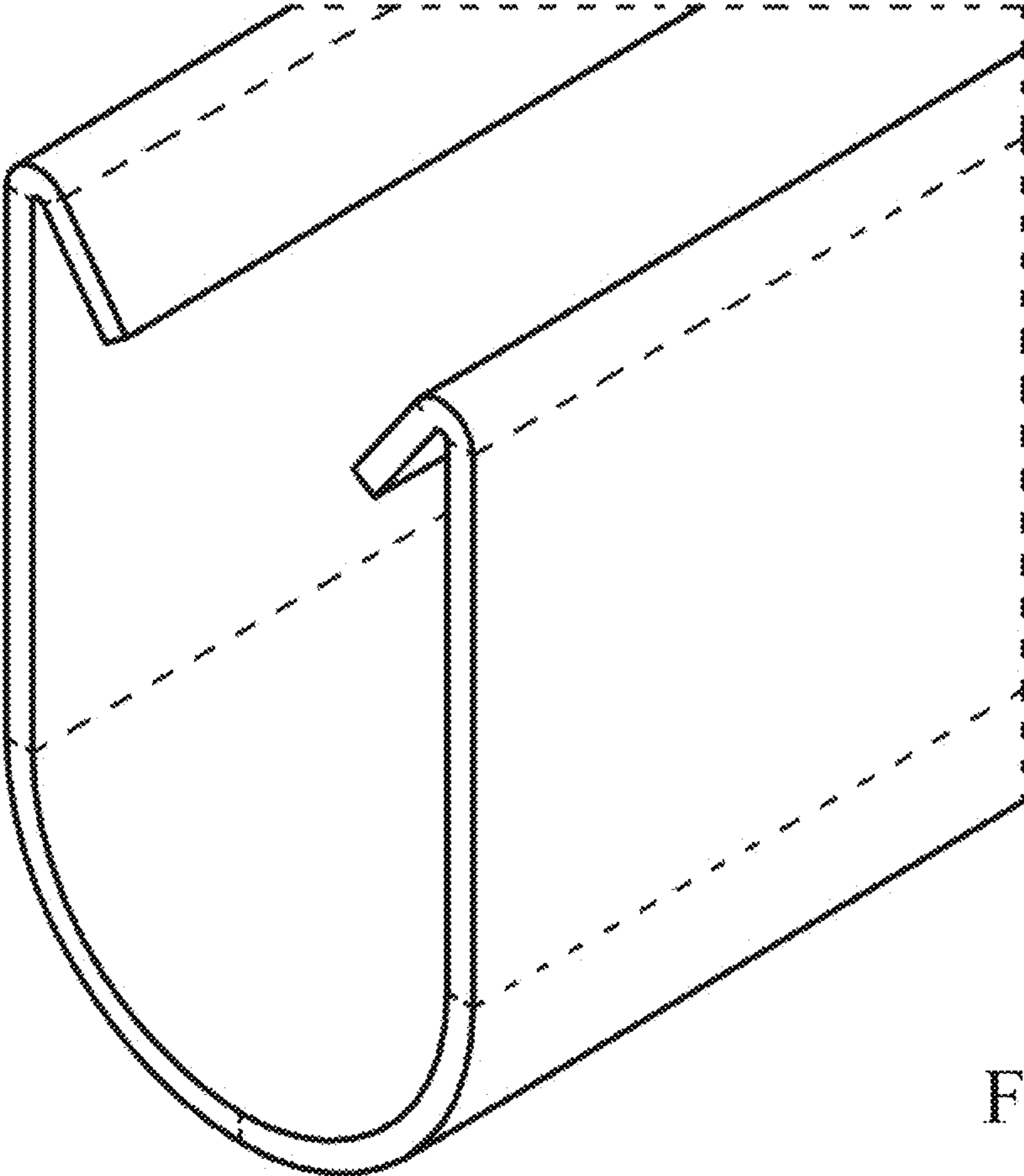


FIG. 7

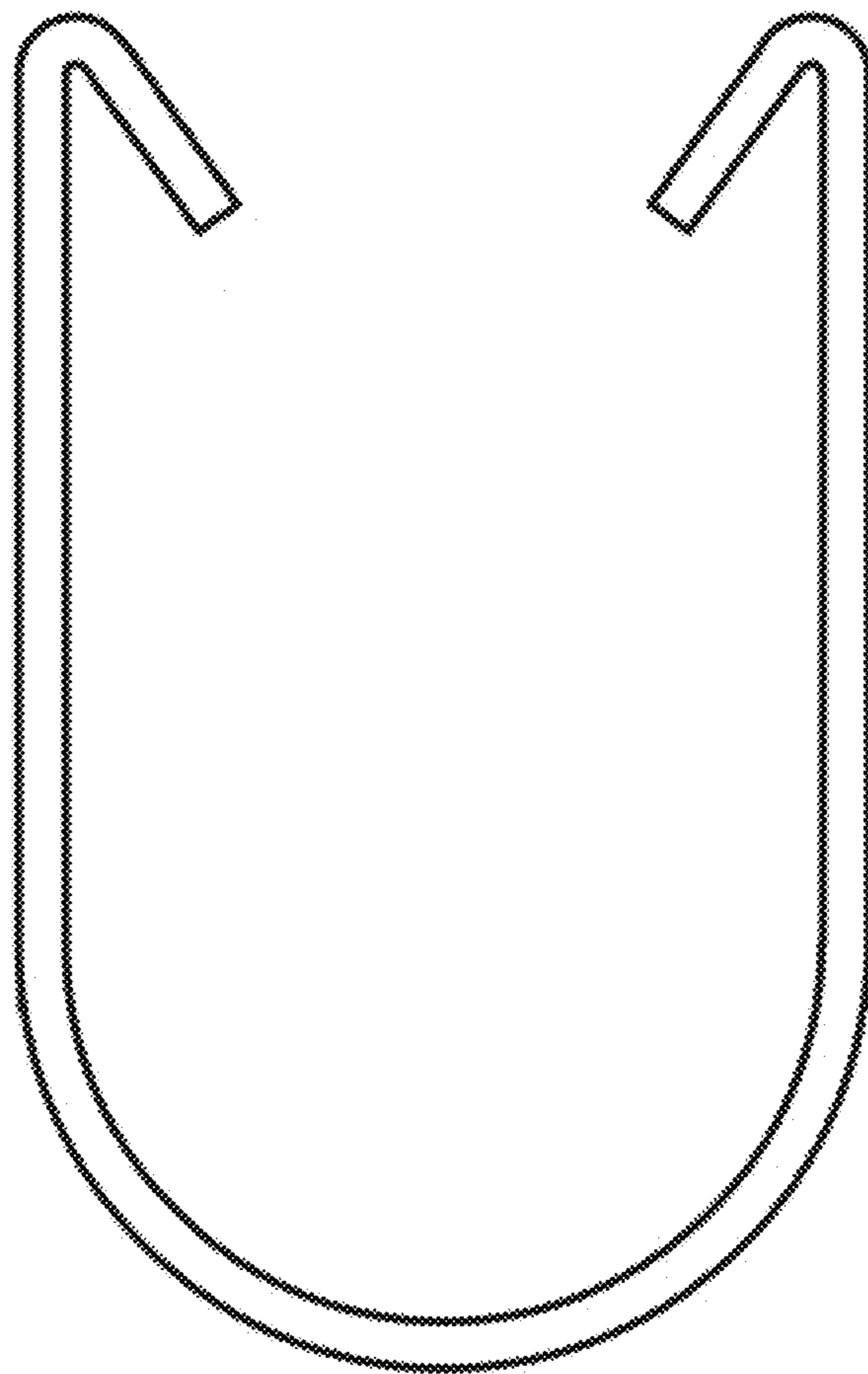


FIG. 8

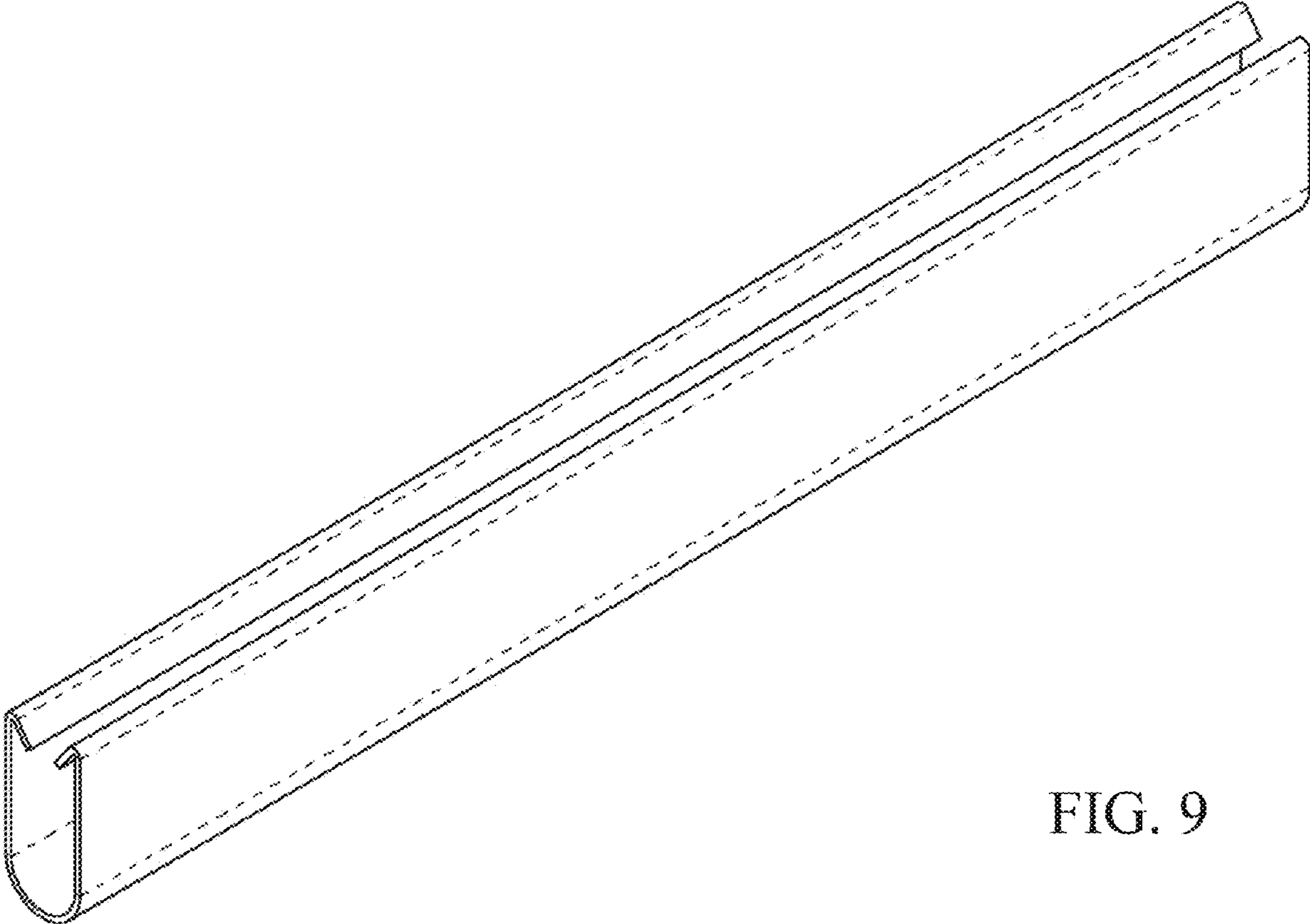


FIG. 9

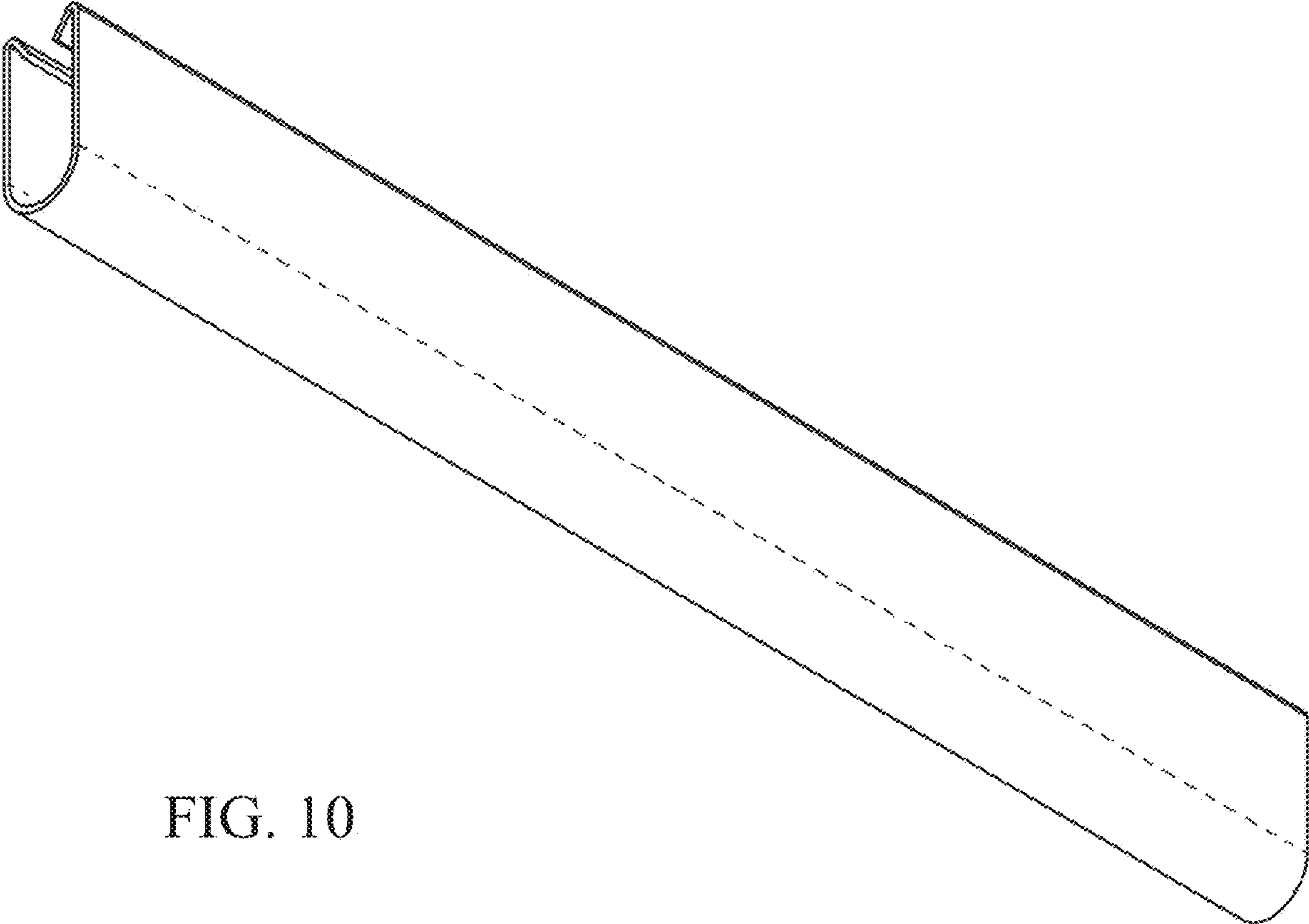


FIG. 10

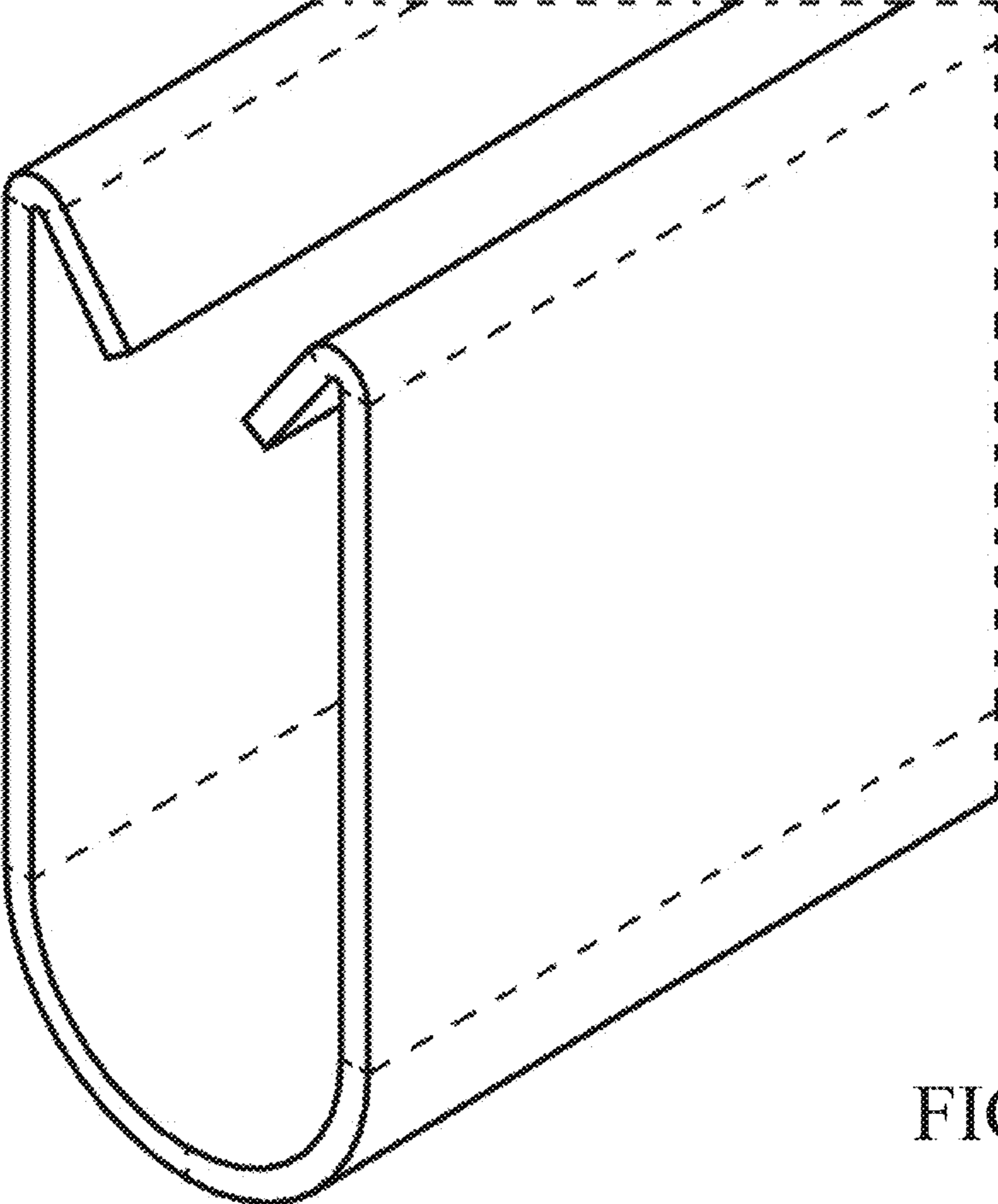


FIG. 11

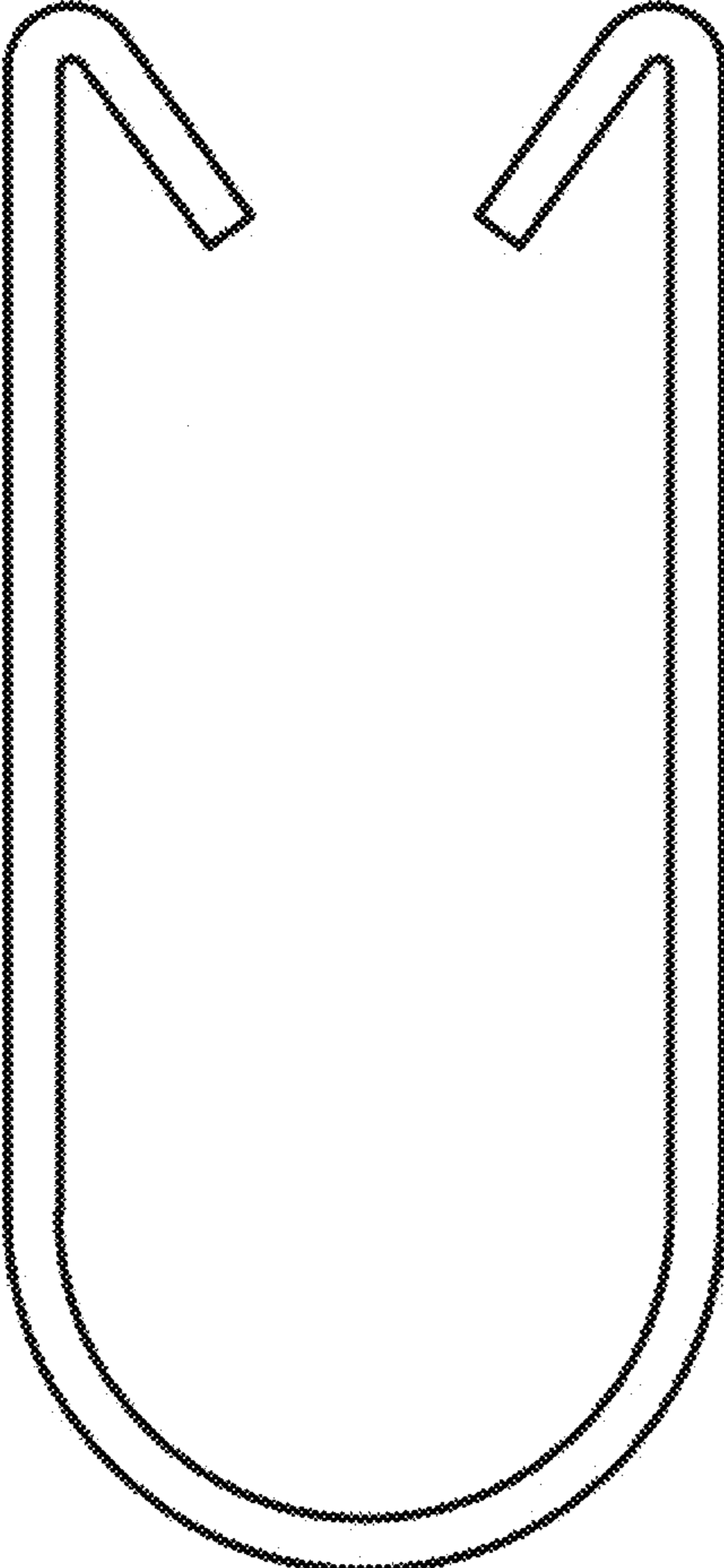


FIG. 12