



US00D956259S

(12) **United States Design Patent**
Xu

(10) **Patent No.:** **US D956,259 S**
(45) **Date of Patent:** **** Jun. 28, 2022**

- (54) **FASCIA GUN**
- (71) Applicant: **Jinzhong Xu, Jinhua (CN)**
- (72) Inventor: **Jinzhong Xu, Jinhua (CN)**
- (**) Term: **15 Years**
- (21) Appl. No.: **29/758,717**
- (22) Filed: **Nov. 18, 2020**
- (51) **LOC (13) Cl.** **28-03**
- (52) **U.S. Cl.**
USPC **D24/215**
- (58) **Field of Classification Search**
USPC D24/200, 211, 212, 213, 214, 215;
D8/14.1; D28/13
CPC . A61H 2201/1653; A61H 23/006; A61H 1/00
See application file for complete search history.

D913,516 S *	3/2021	Zhang	D24/215
D913,517 S *	3/2021	Yu	D24/215
D917,060 S *	4/2021	Hu	D24/215
D926,333 S *	7/2021	Zhang	D24/215
D926,338 S *	7/2021	Xu	D24/215
D935,637 S *	11/2021	Li	D24/215
D939,724 S *	12/2021	Hu	D24/215

OTHER PUBLICATIONS

Amazon, "Massage Gun", Date First Available Jan. 28, 2021.
<https://us.amazon.com/Massage-Gun-Percussion-Massager-Adjustable/dp/B08P6TQ74R>. Shown on p. 1. (Year: 2021).*

* cited by examiner

Primary Examiner — Michael A Maharajh

(57) **CLAIM**

The ornamental design for a fascia gun, as shown and described.

DESCRIPTION

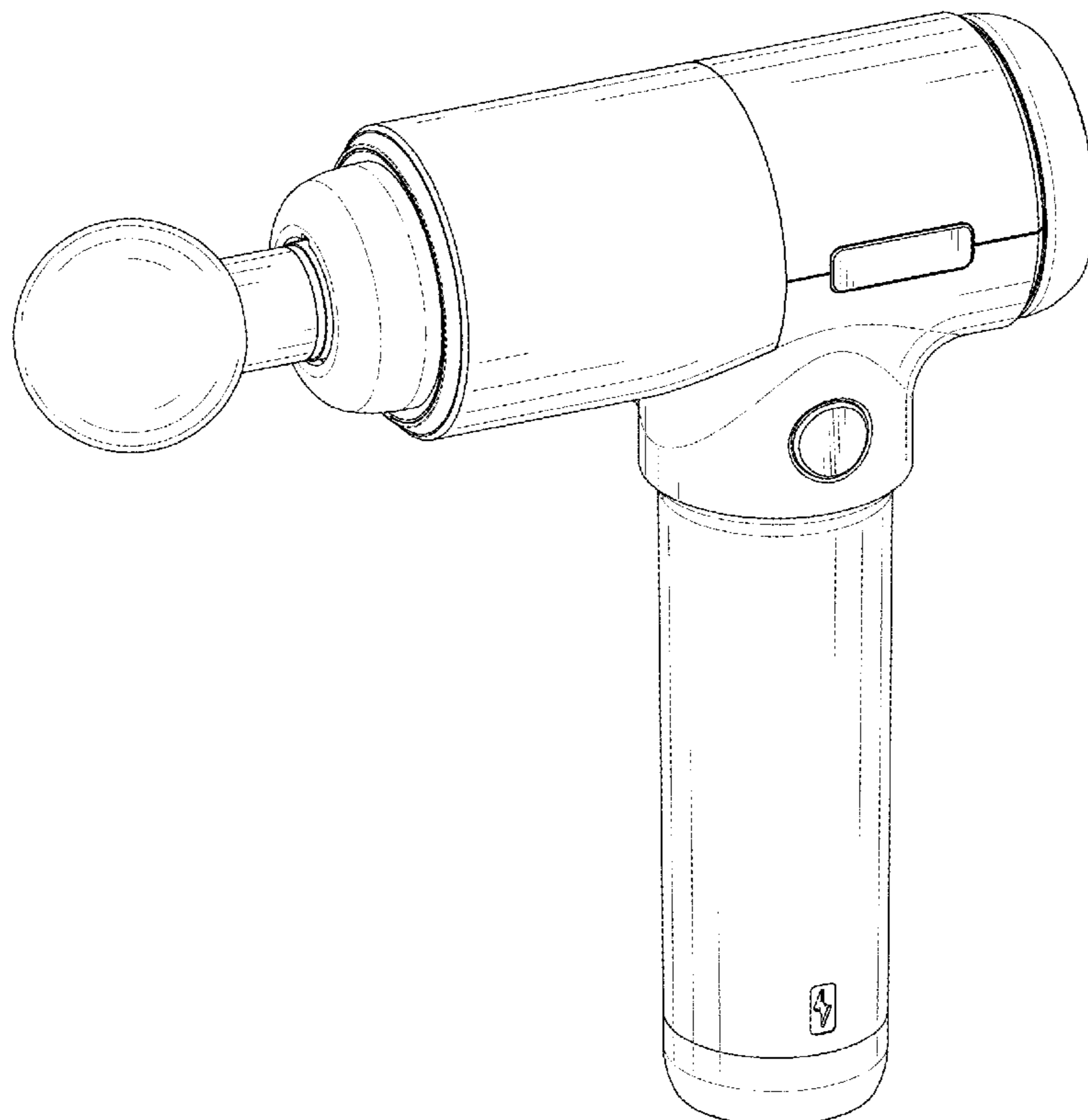
FIG. 1 is a front and top perspective view of a fascia gun, showing new design;
 FIG. 2 is a rear and bottom perspective view thereof;
 FIG. 3 is a front elevational view thereof;
 FIG. 4 is a rear elevational view thereof;
 FIG. 5 is a left side elevational view thereof;
 FIG. 6 is a right side elevational view thereof;
 FIG. 7 is a top plan view thereof; and,
 FIG. 8 is a bottom plan view thereof.
 The broken lines in the figures illustrate portions of the fascia gun that form no part of the claimed design.

(56) **References Cited**

U.S. PATENT DOCUMENTS

D895,133 S *	9/2020	Xu	D24/215
D895,135 S *	9/2020	Xu	D24/215
D895,831 S *	9/2020	Chen	D24/215
D899,620 S *	10/2020	Huang	D24/215
D905,863 S *	12/2020	Lin	D24/215
D906,533 S *	12/2020	Xu	D24/215
D907,229 S *	1/2021	Zhang	D24/215
D907,230 S *	1/2021	Zhang	D24/215
D908,908 S *	1/2021	Xu	D24/215
D911,535 S *	2/2021	Yu	D24/214
D912,267 S *	3/2021	Tang	D24/215

1 Claim, 8 Drawing Sheets



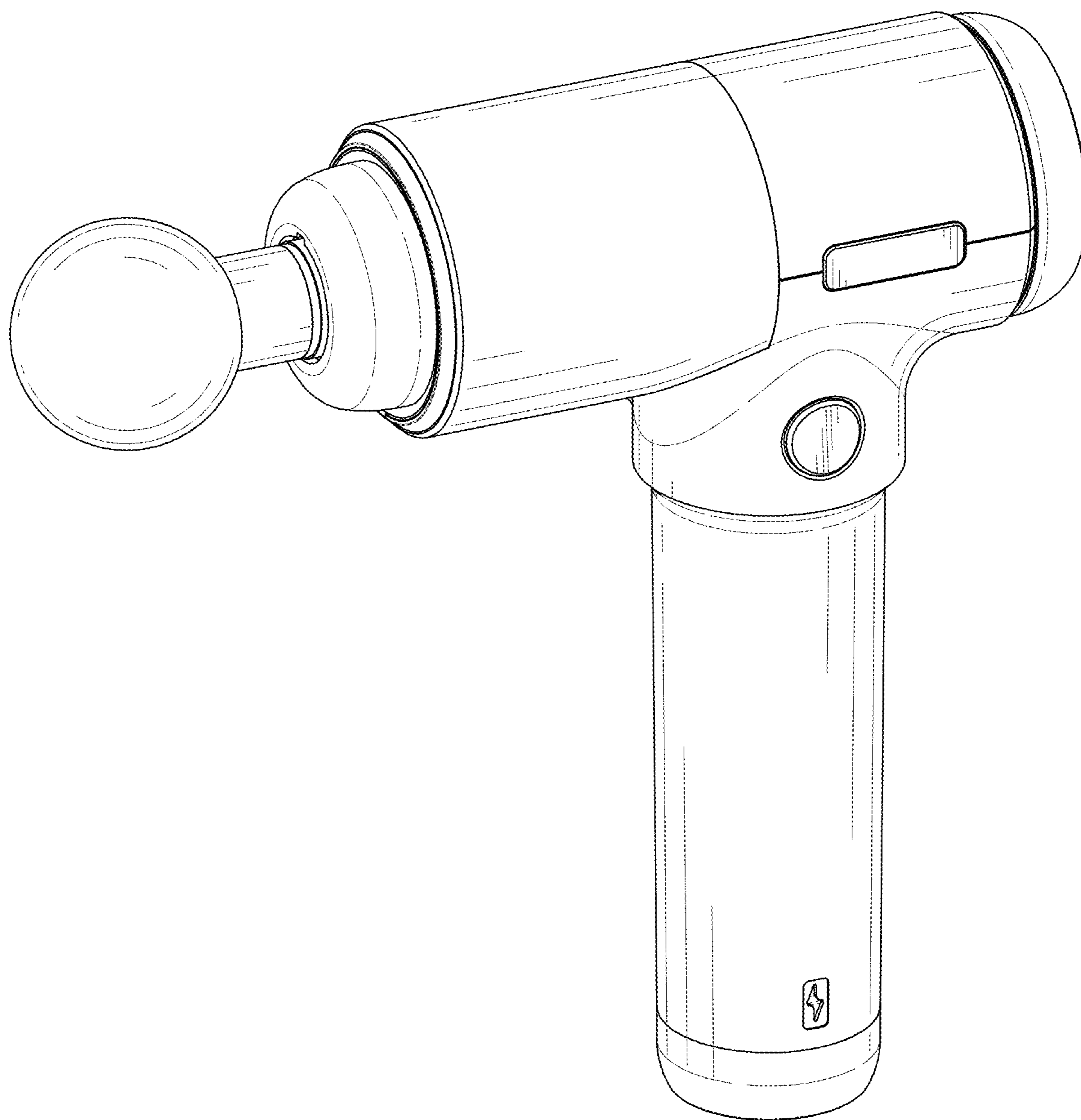


FIG. 1

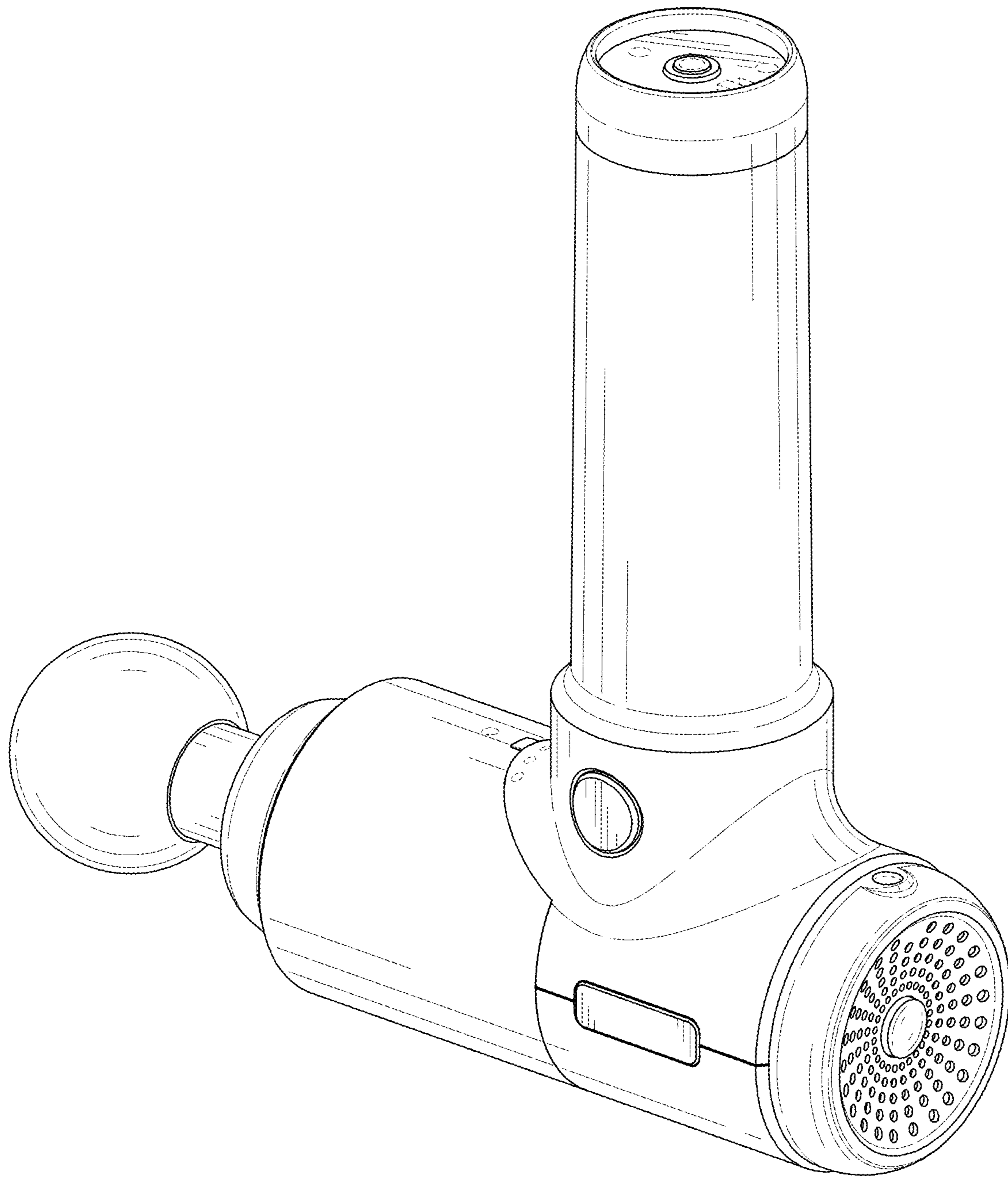


FIG. 2

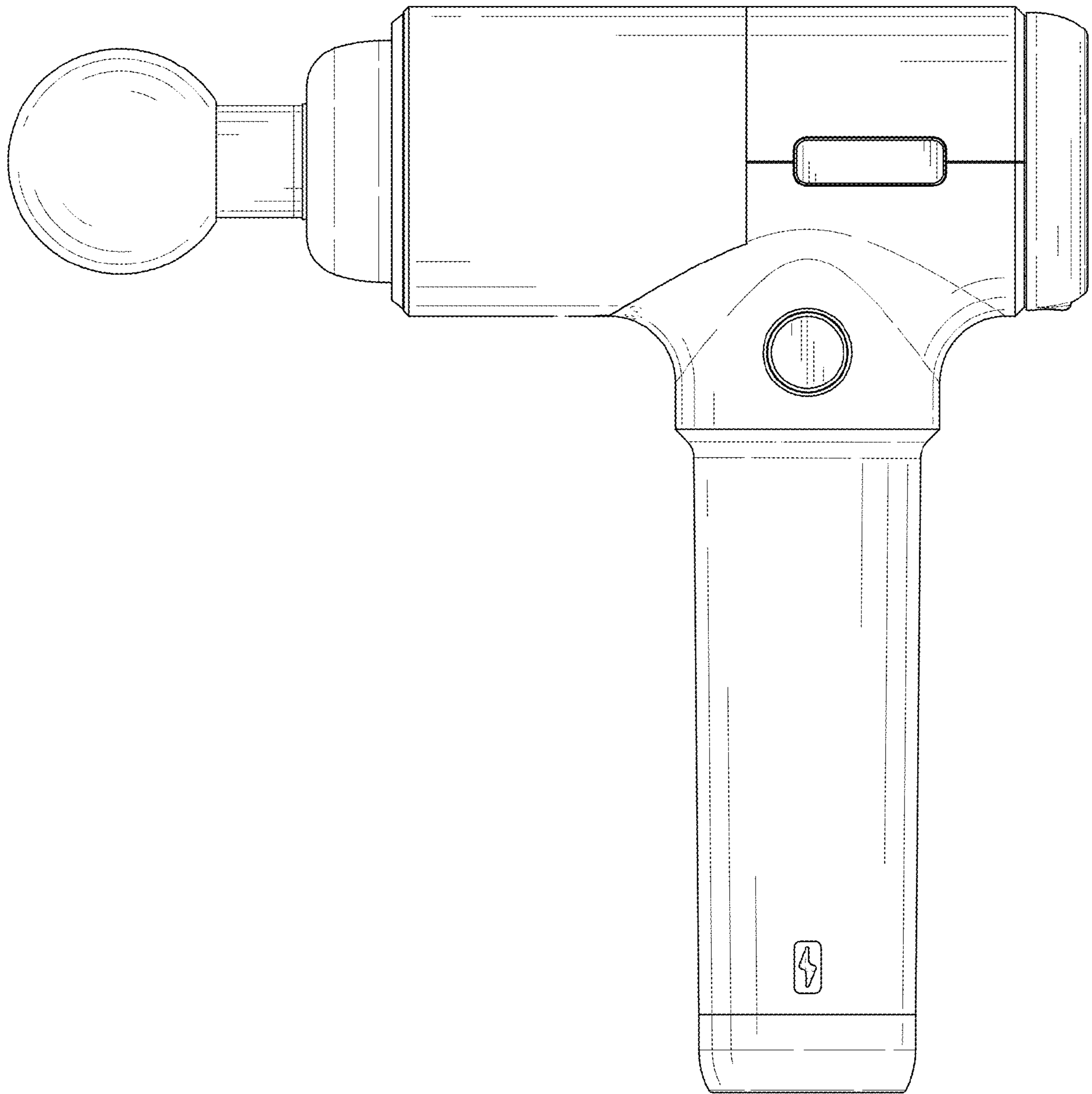


FIG. 3

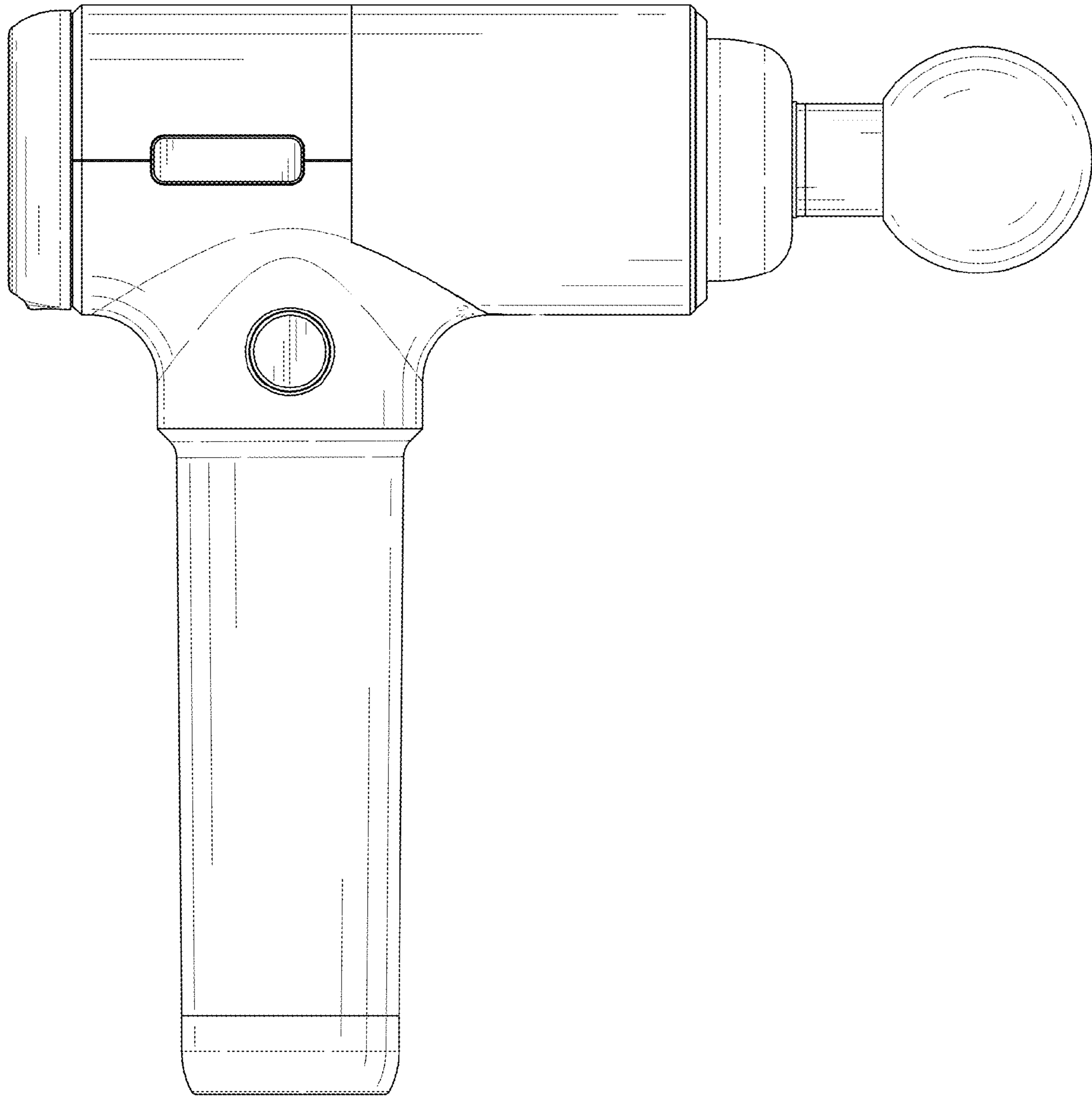


FIG. 4

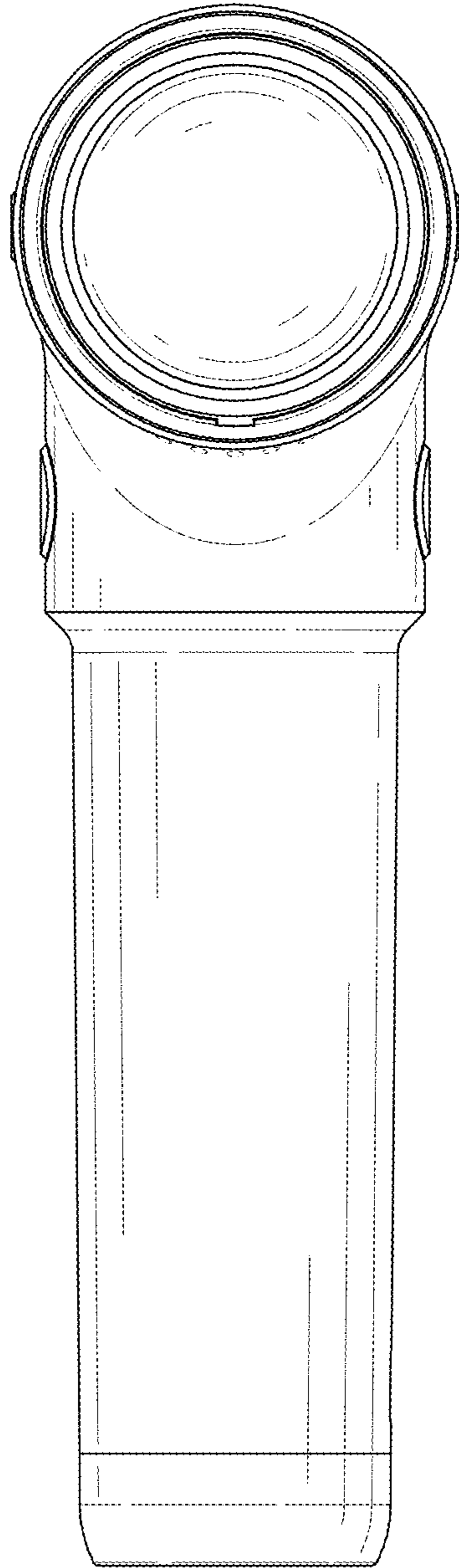


FIG. 5

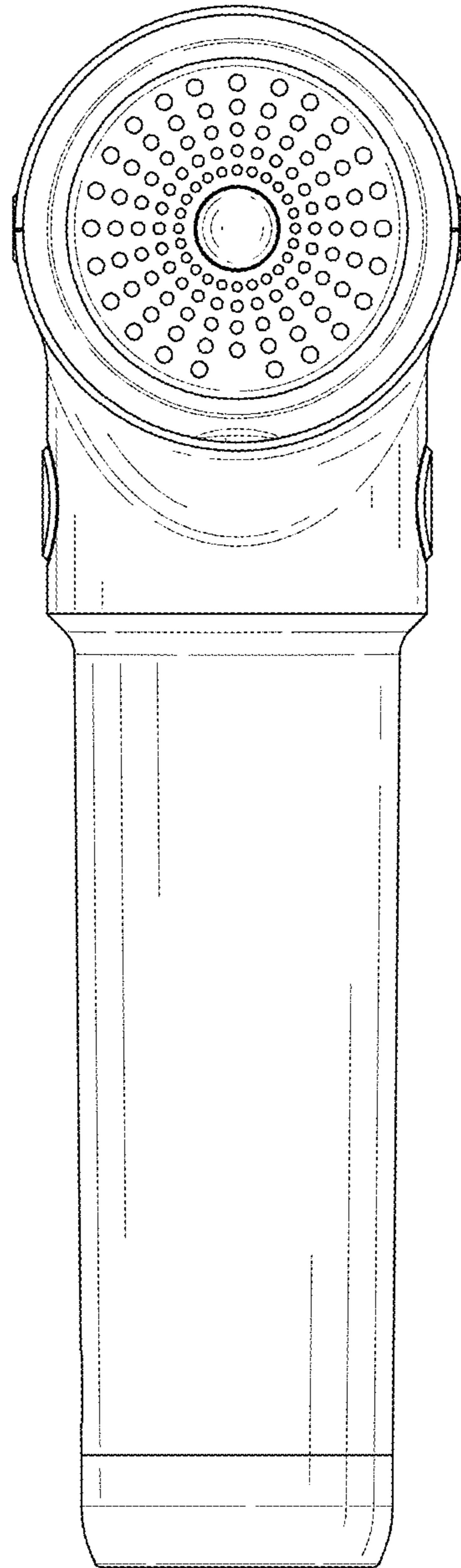


FIG. 6

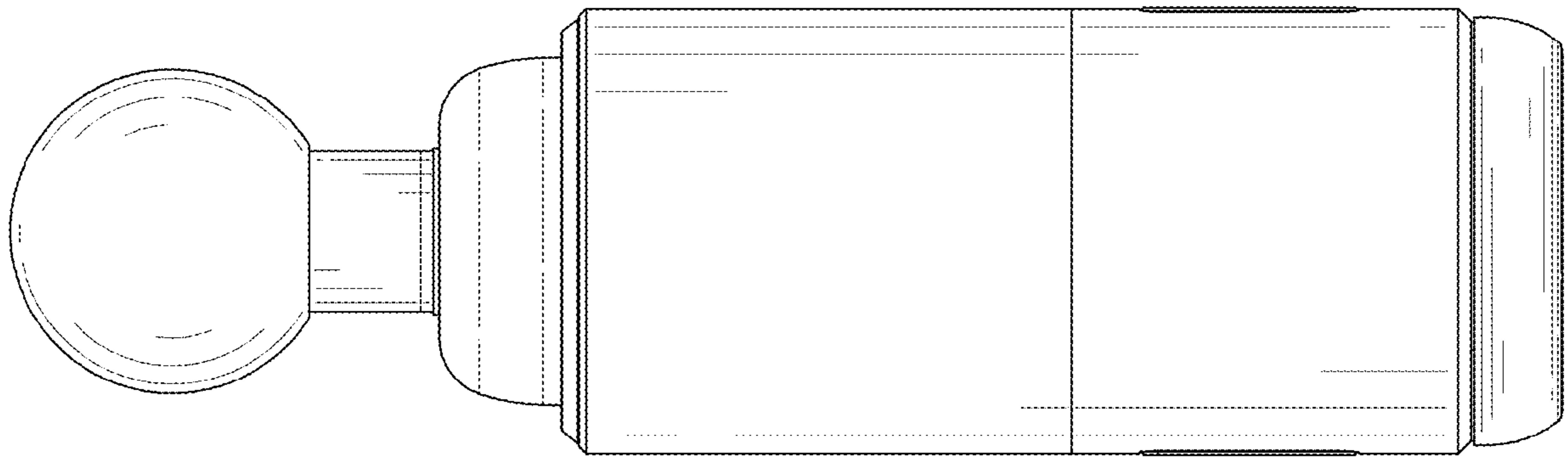


FIG. 7

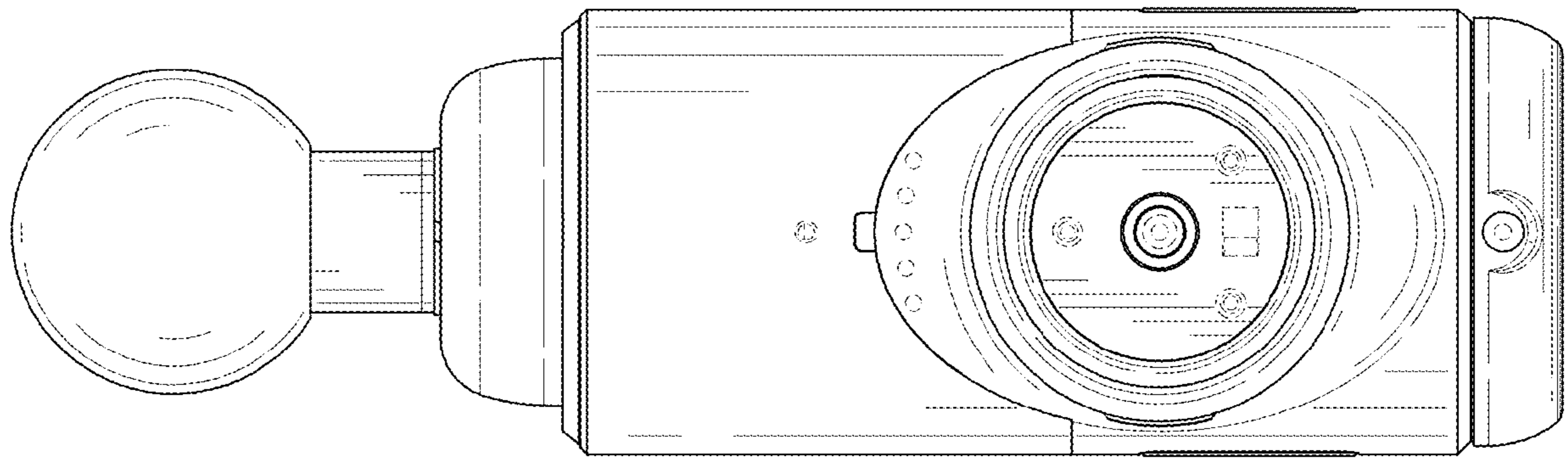


FIG. 8