



US00D956258S

(12) **United States Design Patent** (10) **Patent No.:** **US D956,258 S**  
**Marton et al.** (45) **Date of Patent:** **\*\* \*Jun. 28, 2022**

(54) **PERCUSSIVE MASSAGE DEVICE**

(71) Applicant: **Hyper Ice, Inc.**, Irvine, CA (US)

(72) Inventors: **Robert Marton**, Yorba Linda, CA (US); **Anthony Katz**, Laguna Niguel, CA (US)

(73) Assignee: **Hyper Ice, Inc.**, Irvine, CA (US)

(\*) Notice: This patent is subject to a terminal disclaimer.

(\*\*) Term: **15 Years**

(21) Appl. No.: **29/744,899**

(22) Filed: **Jul. 31, 2020**

(51) **LOC (13) Cl.** ..... **28-03**

(52) **U.S. Cl.**  
USPC ..... **D24/215**

(58) **Field of Classification Search**  
USPC ..... D24/200, 211, 212, 213, 214, 215;  
D8/14.1; D28/13

CPC . A61H 2201/1653; A61H 23/006; A61H 1/00  
See application file for complete search history.

(56) **References Cited**

**U.S. PATENT DOCUMENTS**

D616,558 S *	5/2010	Tsai	.....	D24/200
D855,822 S	8/2019	Marton et al.		
D863,571 S *	10/2019	Yang	.....	D24/200
D873,432 S	1/2020	Dunn		
D874,015 S	1/2020	Marton et al.		
D875,961 S	2/2020	Li		
D884,205 S	5/2020	Zhuang		
D884,207 S	5/2020	Ma		
D886,317 S	6/2020	Marton et al.		
D895,133 S *	9/2020	Xu	.....	D24/215
D895,135 S *	9/2020	Xu	.....	D24/215
D895,831 S *	9/2020	Chen	.....	D24/215
D898,209 S *	10/2020	Xu	.....	D24/214

D899,620 S *	10/2020	Huang	.....	D24/215
D905,863 S *	12/2020	Lin	.....	D24/215
D906,533 S *	12/2020	Xu	.....	D24/215
D907,229 S *	1/2021	Zhang	.....	D24/215
D907,230 S *	1/2021	Zhang	.....	D24/215
D908,908 S *	1/2021	Xu	.....	D24/215

(Continued)

**FOREIGN PATENT DOCUMENTS**

CN	305547000 S	1/2020
CN	306219678 S	12/2020

**OTHER PUBLICATIONS**

Hyperice, "Hypervolt 2 Pro", Feb. 4, 2022. <https://hyperice.com/products/hypervolt-2-pro/>. Shown on p. 1. (Year: 2022).\*

(Continued)

*Primary Examiner* — Michael A Maharajh

(74) *Attorney, Agent, or Firm* — Patterson Intellectual Property Law, P.C.; Jerry Turner Sewell

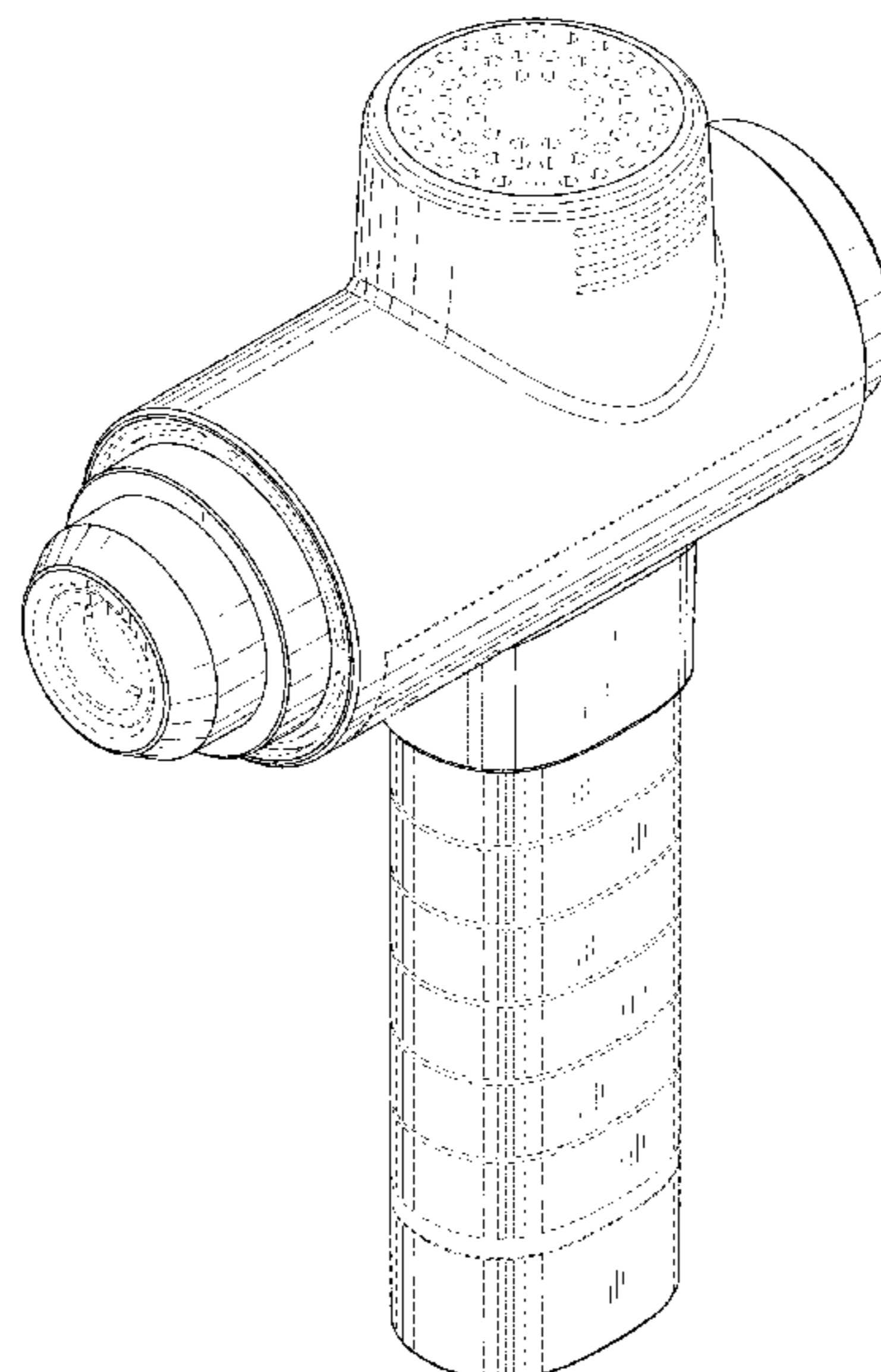
(57) **CLAIM**

The ornamental design for a "percussive massage device," as shown and described.

**DESCRIPTION**

FIG. 1 is a front perspective view of a percussive massage device, showing our new design;  
FIG. 2 is a rear perspective view thereof;  
FIG. 3 is a left side view thereof;  
FIG. 4 is a right side view thereof;  
FIG. 5 is a front view thereof;  
FIG. 6 is a rear view thereof;  
FIG. 7 is a top view thereof; and,  
FIG. 8 is a bottom view thereof.  
The broken lines in the drawings are for the purposes of illustrating portions of the percussive massage device, which form no part of the claimed design.

**1 Claim, 6 Drawing Sheets**



(56)

**References Cited**

## U.S. PATENT DOCUMENTS

D910,194 S *	2/2021	Radtke	.....	D24/215
D911,535 S *	2/2021	Yu	.....	D24/214
D912,267 S *	3/2021	Tang	.....	D24/215
D913,516 S *	3/2021	Zhang	.....	D24/215
D913,517 S *	3/2021	Yu	.....	D24/215
D916,307 S *	4/2021	Xiong	.....	D24/215
D917,060 S *	4/2021	Hu	.....	D24/215
D925,751 S *	7/2021	Wu	.....	D24/211
D926,333 S *	7/2021	Zhang	.....	D24/215
D926,338 S *	7/2021	Xu	.....	D24/215
D935,637 S *	11/2021	Li	.....	D24/215
D939,724 S *	12/2021	Hu	.....	D24/215
D939,725 S *	12/2021	Tong	.....	D24/215
2021/0113427 A1 *	4/2021	Liu	.....	A61H 23/006

## OTHER PUBLICATIONS

Amazon, "Hypervolt 2 Massage Gun", Oct. 12, 2021. [https://www.amazon.com/Hypervolt-Featuring-Technology-Percussion-Interchangeable/dp/B09JB5CZDB/ref=cm\\_cr\\_ar\\_p\\_d\\_product\\_top?ie=UTF8](https://www.amazon.com/Hypervolt-Featuring-Technology-Percussion-Interchangeable/dp/B09JB5CZDB/ref=cm_cr_ar_p_d_product_top?ie=UTF8). Shown on p. 1. (Year: 2021).\*

Advertisement for Impact Massage Gun by Trigger Point, [Accessed online on Mar. 10, 2020, from <https://triggerpoint.implus.com/impact>].

"Massage Gun Mini," Advertisement for Massage Guns, [Accessed online on Mar. 10, 2020, from <https://massageguns.com/products/massage-gun-mini>].

"Massage Gun for Athletes," Advertisement for Massage Gun by Eraxusa, [Accessed online on Mar. 10, 2020, from <https://www.amazon.com/Athletes-Percussion-Relaxation-Cordless-Handheld/dp/B08482751K>].

"Personal Percussion Massage Gun," Advertisement for Massage Gun by GYL Hong Yuan, [Accessed online on Mar. 10, 2020, from <https://www.amazon.com/Personal-Percussion-Massage-Therapy-Massager/dp/B07ZFC2YP6>].

"Massage Gun Deep Tissue Percussion Muscle Relaxer for Pain Relief," Advertisement for Massage Gun by BQQCSTY, [Accessed online on Mar. 10, 2020, from <https://www.amazon.com/Massager-Percussion-Vibration-Brushless-BQQCSTY/dp/B0833PPDKJ>].

"Massage Gun Deep Tissue Percussion Muscle Massager for Pain Relief," Advertisement for Massage Gun by TECHFRAME, [Accessed online on Mar. 10, 2020, from <https://www.amazon.com/Percussion-Massager-Handheld-Brushless-TECHFRAME/dp/B081JZSYDC/>].

"Massage Gun Deep Tissue Percussion Muscle Relaxer for Pain Relief," Advertisement for Massage Gun by REDAPO, [Accessed online on Mar. 10, 2020, from <https://www.amazon.com/Massage-Tissue-Percussion-Muscle-Massager/dp/B083SRHSJD>].

"Massage Gun for Athletes," Advertisement for Massage Gun by Emaxusa, [Accessed online on Mar. 10, 2020, from <https://www.amazon.com/Athletes-Percussion-Relaxation-Cordless-Handheld/dp/B0849L5PVX>].

"China Wholesale Portable Massage Gun Body Deep Vibration Massage Gun," Advertisement for Massage Gun by KOMFURT, [Accessed online on Mar. 10, 2020, from [https://www.alibaba.com/product-detail/Portable-body-vibration-massage-machine-muscle\\_62350829004.html](https://www.alibaba.com/product-detail/Portable-body-vibration-massage-machine-muscle_62350829004.html)].

Advertisement for Massage Gun by OEM, [Accessed online on Mar. 10, 2020, from [https://www.alibaba.com/product-detail/DR-deep-tissue-body-heated-sports\\_62412429882.html](https://www.alibaba.com/product-detail/DR-deep-tissue-body-heated-sports_62412429882.html)].

Advertisement for Massage Gun by URON, [Accessed online on Mar. 10, 2020, from [https://www.alibaba.com/product-detail/2020-new-design-Handheld-Battery-Operated\\_62344174380.html](https://www.alibaba.com/product-detail/2020-new-design-Handheld-Battery-Operated_62344174380.html)].

"Landwind," Advertisement for Massage Gun by Landwind, [Accessed online on Mar. 10, 2020, from [https://www.alibaba.com/product-detail/Hot-selling-new-product-Deep-Muscle\\_62414431910.html](https://www.alibaba.com/product-detail/Hot-selling-new-product-Deep-Muscle_62414431910.html)].

"Booster," Advertisement for Massage Gun by Winstar, [Accessed online on Mar. 10, 2020, from [https://www.alibaba.com/product-detail/Most-Popular-Best-Muscle-Hand-Held\\_62429335924.html](https://www.alibaba.com/product-detail/Most-Popular-Best-Muscle-Hand-Held_62429335924.html)].

Advertisement for Massage Gun by Enjoy Master, [Accessed online on Mar. 10, 2020, from [https://www.alibaba.com/product-detail/handheld-wireless-percussion-rotating-handheld-shiatsu\\_62340394278.html](https://www.alibaba.com/product-detail/handheld-wireless-percussion-rotating-handheld-shiatsu_62340394278.html)].

"Portable electric cordless back shoulder leg body relax massager deep tissue vibration muscle massage gun," Advertisement for Massage Gun by Kaleume, [Accessed online on Mar. 10, 2020, from [https://www.alibaba.com/product-detail/Handheld-Portable-electric-cordless-neck-shoulder\\_62340312077.html](https://www.alibaba.com/product-detail/Handheld-Portable-electric-cordless-neck-shoulder_62340312077.html)].

Advertisement for Massage Gun by MPT, [Accessed online on Mar. 10, 2020, from [https://www.alibaba.com/product-detail/MPT-26V-2500mAh-Portable-Handheld-Cordless\\_62173601405.html](https://www.alibaba.com/product-detail/MPT-26V-2500mAh-Portable-Handheld-Cordless_62173601405.html)].

"ElecForU Deep Tissue Percussion Handheld Massager for Sore Muscle and Stiffness," Advertisement for Massage Gun by ELECFORU, [Accessed online on Mar. 10, 2020, from <https://www.amazon.com/dp/B07WTW8PSJ>].

"Sonic Handheld Percussion Massage Gun," Advertisement for Massage Gun by LifePro, [Accessed online on Mar. 10, 2020, from <https://www.amazon.com/Sonic-Handheld-Percussion-Massage-High-Intensity/dp/B07QTBVYJ1>].

"Electric Massage Gun Fascia Gun Percussion Therapy Relax Muscle Device 5 Speeds 3600RPM," Advertisement for Massage Gun by Massage, [Accessed online on Mar. 10, 2020, from <https://www.geekbuying.com/item/Electric-Massage-Gun-Relax-Muscle-Therapy-Device-Black-418543.html>].

"Strong Massage Gun Deep Tissue Percussion Muscle Massager for Pain Relief," Advertisement for Massage Gun by Mukelai, [Accessed online on Mar. 10, 2020, from [https://www.amazon.com/dp/B07WVRD583/ref=psdc\\_3767521\\_t1\\_B07Y5YY9QF?th=1](https://www.amazon.com/dp/B07WVRD583/ref=psdc_3767521_t1_B07Y5YY9QF?th=1)].

\* cited by examiner

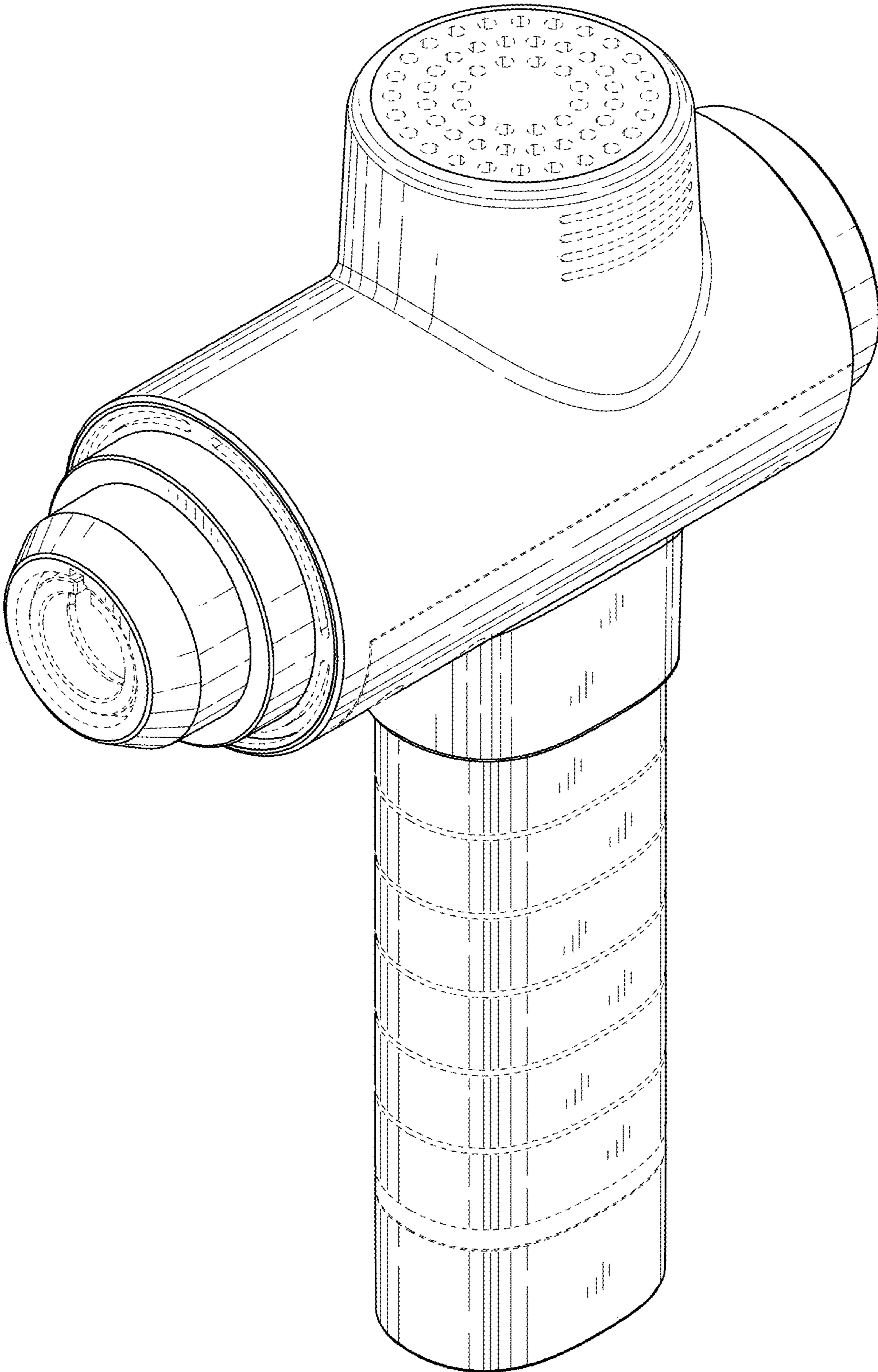


FIG. 1

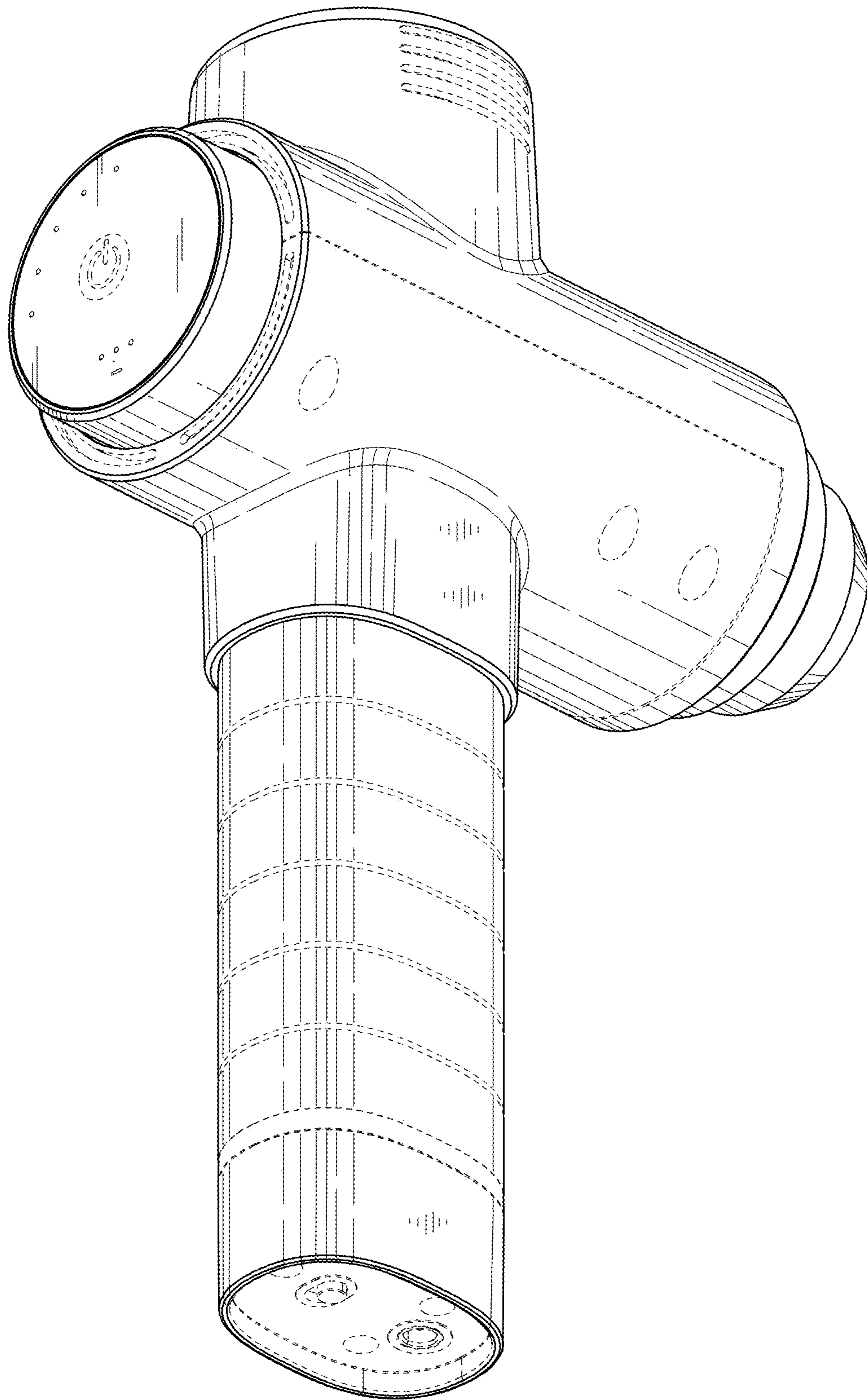


FIG. 2

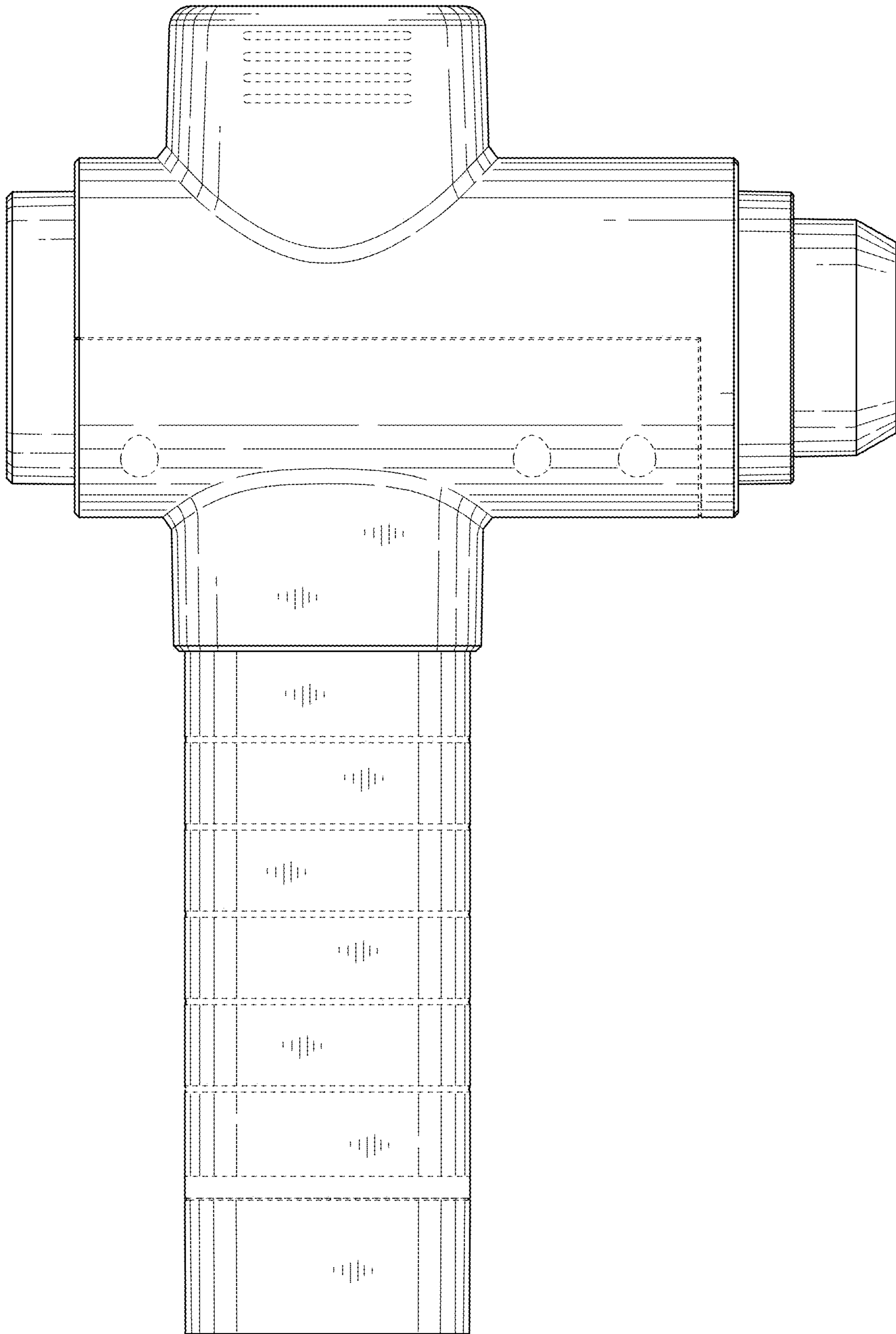


FIG. 3

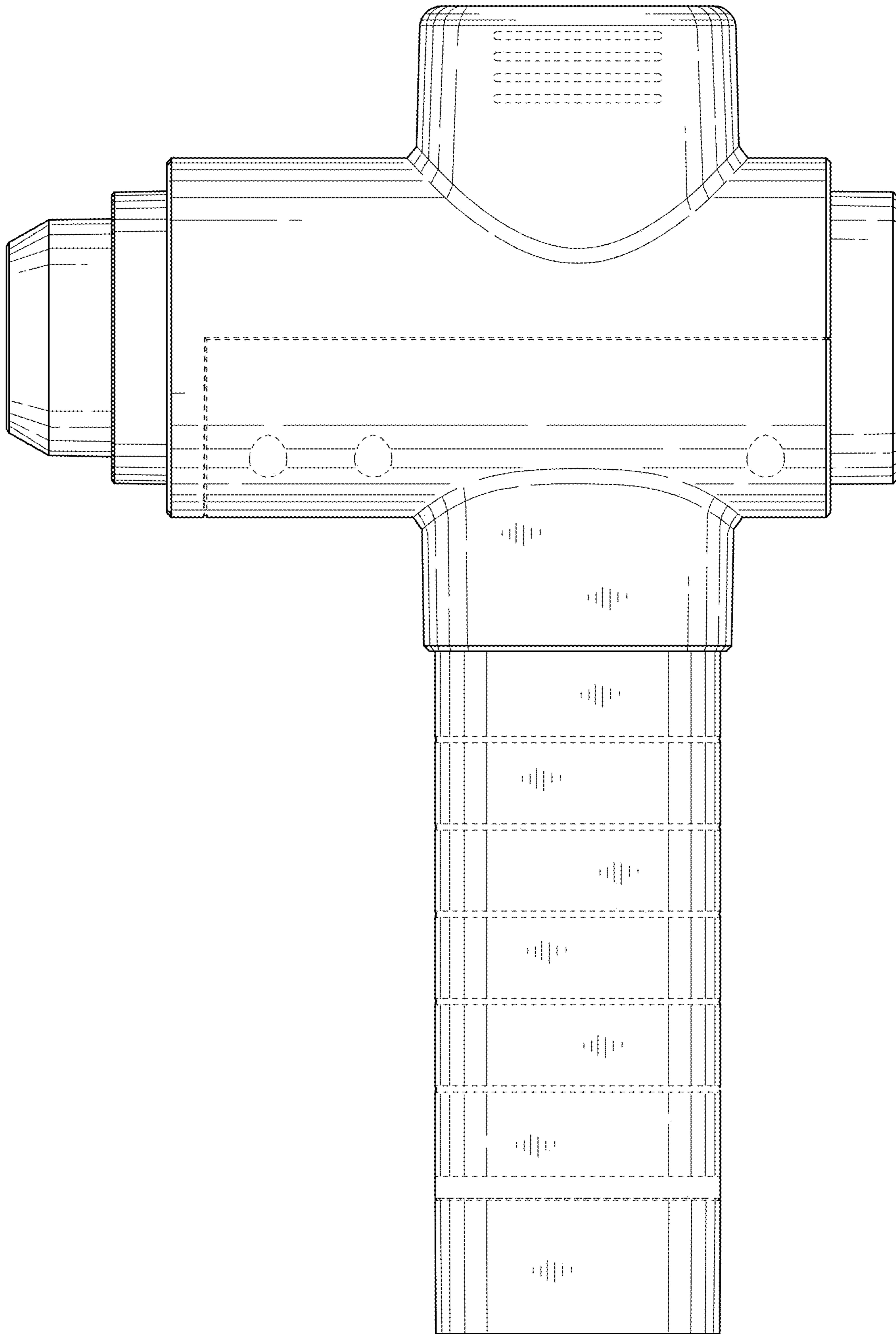


FIG. 4

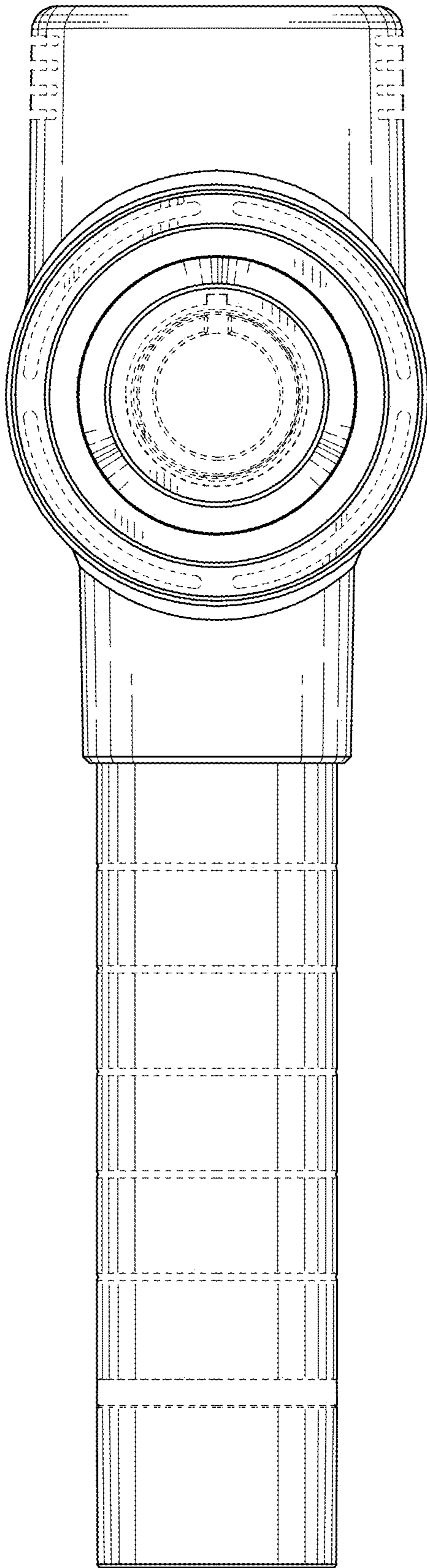


FIG. 5

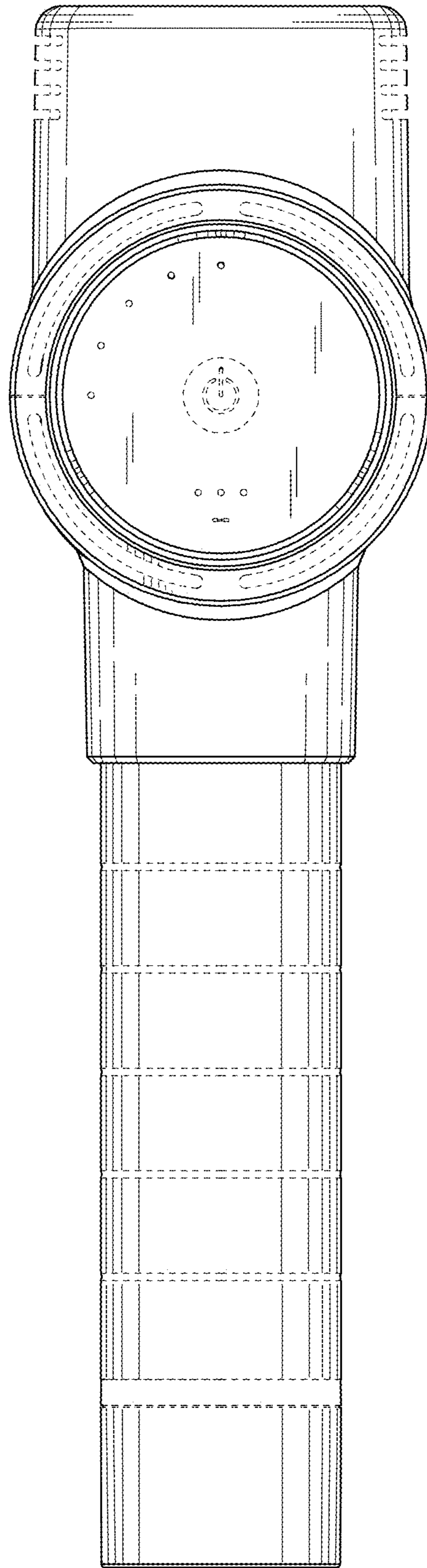


FIG. 6

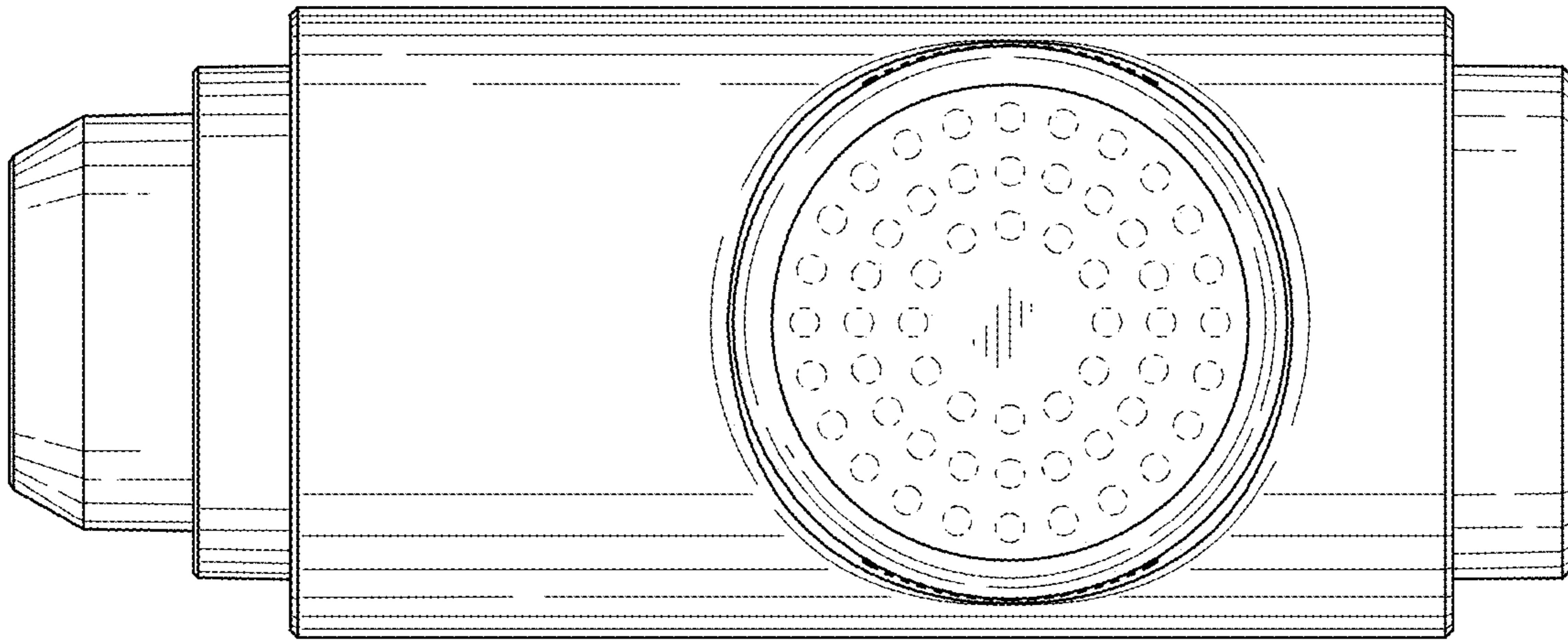


FIG. 7

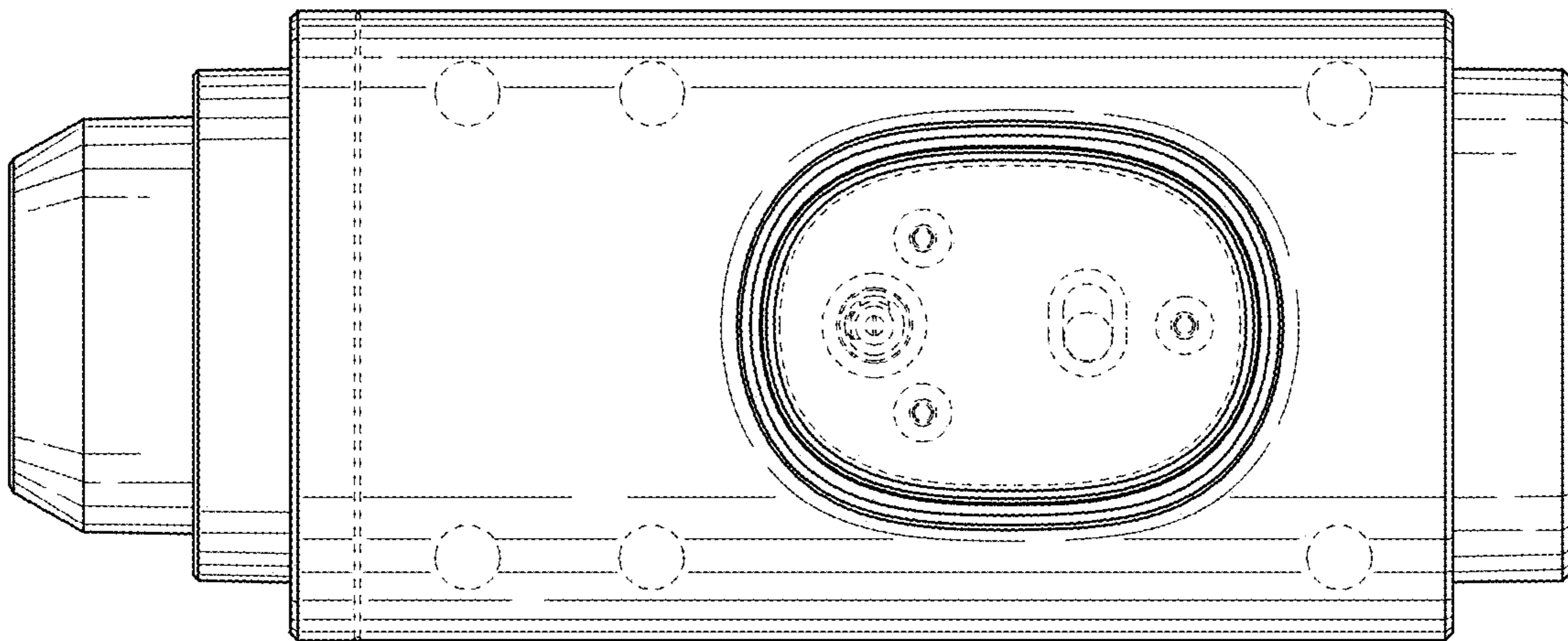


FIG. 8