



US00D956252S

(12) **United States Design Patent** (10) **Patent No.:** **US D956,252 S**  
**Marton et al.** (45) **Date of Patent:** **\*\* \*Jun. 28, 2022**

(54) **PERCUSSIVE MASSAGE DEVICE**

D905,863 S \* 12/2020 Lin ..... D24/215  
D906,533 S \* 12/2020 Xu ..... D24/215  
D907,229 S \* 1/2021 Zhang ..... D24/215

(71) Applicant: **Hyper Ice, Inc.**, Irvine, CA (US)

(Continued)

(72) Inventors: **Robert Marton**, Yorba Linda, CA (US); **Anthony Katz**, Laguna Niguel, CA (US)

FOREIGN PATENT DOCUMENTS

(73) Assignee: **Hyper Ice, Inc.**, Irvine, CA (US)

CN 305547000 S 1/2020  
CN 306219678 S 12/2020

(Continued)

(\* ) Notice: This patent is subject to a terminal disclaimer.

OTHER PUBLICATIONS

(\*\*) Term: **15 Years**

Hyperice, "Hypervolt 2 Pro", Feb. 4, 2022. <https://hyperice.com/products/hypervolt-2-pro/>. Shown on p. 1. (Year: 2022).\*

(21) Appl. No.: **29/744,888**

(Continued)

(22) Filed: **Jul. 31, 2020**

*Primary Examiner* — Michael A Maharajh

(51) **LOC (13) Cl.** ..... **28-03**

(74) *Attorney, Agent, or Firm* — Patterson Intellectual Property Law, P.C.; Jerry Turner Sewell

(52) **U.S. Cl.**

USPC ..... **D24/215**

(58) **Field of Classification Search**

USPC ..... D24/200, 211, 212, 213, 214, 215;  
D8/14.1; D28/13

CPC . A61H 2201/1653; A61H 23/006; A61H 1/00  
See application file for complete search history.

(57) **CLAIM**

The ornamental design for a "percussive massage device," as shown and described.

(56) **References Cited**

**DESCRIPTION**

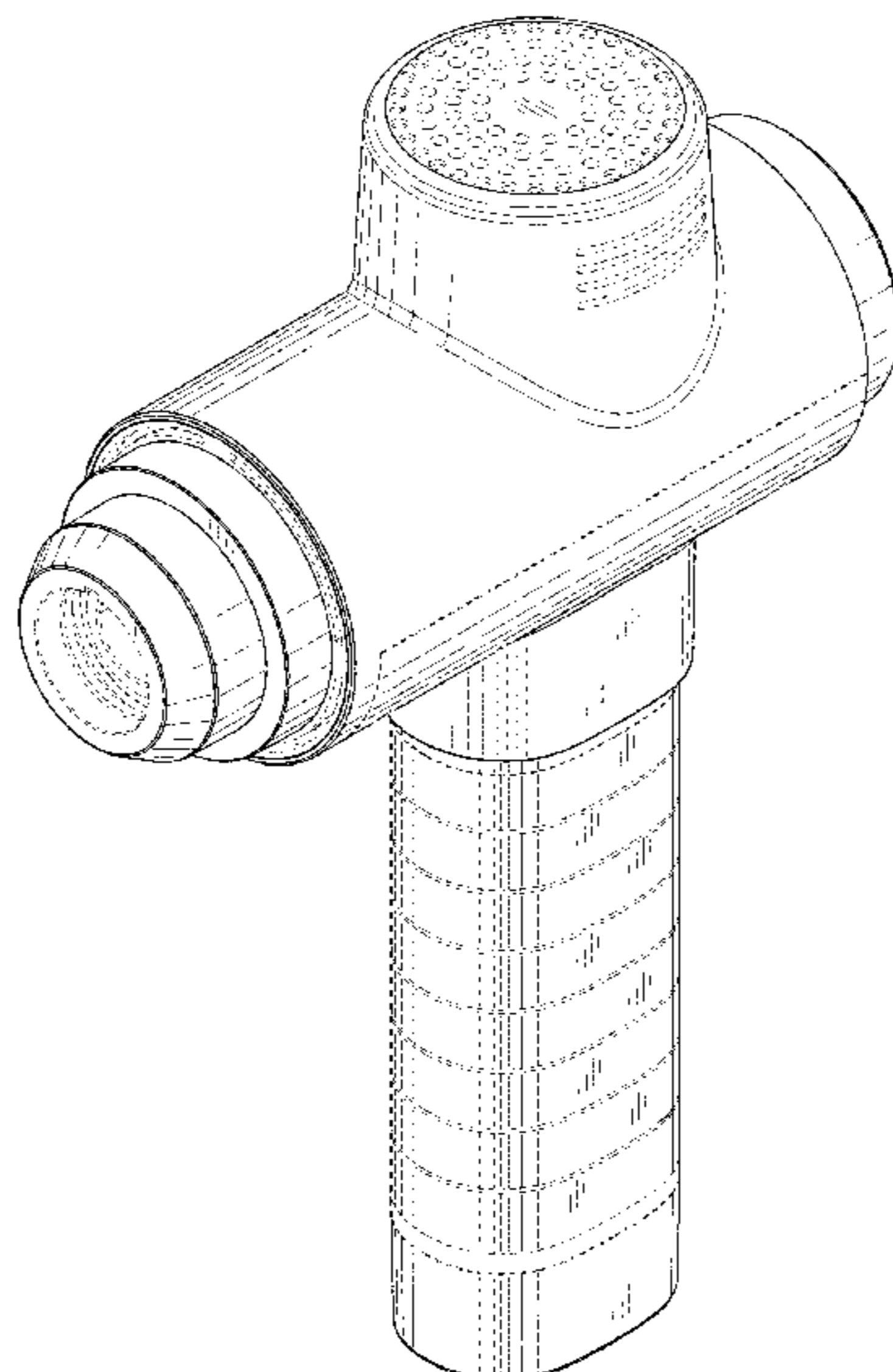
U.S. PATENT DOCUMENTS

D616,558 S \* 5/2010 Tsai ..... D24/200  
D855,822 S 8/2019 Marton et al.  
D863,571 S \* 10/2019 Yang ..... D24/200  
D873,432 S 1/2020 Dunn  
D874,015 S 1/2020 Marton et al.  
D875,961 S 2/2020 Li  
D884,205 S 5/2020 Zhuang  
D884,207 S 5/2020 Ma  
D886,317 S 6/2020 Marton et al.  
D895,133 S \* 9/2020 Xu ..... D24/215  
D895,135 S \* 9/2020 Xu ..... D24/215  
D895,831 S \* 9/2020 Chen ..... D24/215  
D898,209 S \* 10/2020 Xu ..... D24/214  
D899,620 S \* 10/2020 Huang ..... D24/215

FIG. 1 is a front perspective view of a percussive massage device, showing our new design;  
FIG. 2 is a rear perspective view thereof;  
FIG. 3 is a left side view thereof;  
FIG. 4 is a right side view thereof;  
FIG. 5 is a front view thereof;  
FIG. 6 is a rear view thereof;  
FIG. 7 is a top view thereof; and,  
FIG. 8 is a bottom view thereof.

The broken lines in the drawings are for the purposes of illustrating portions of the percussive massage device, which form no part of the claimed design.

**1 Claim, 6 Drawing Sheets**



(56)

References Cited

U.S. PATENT DOCUMENTS

D907,230	S	*	1/2021	Zhang	.....	D24/215
D908,908	S	*	1/2021	Xu	.....	D24/215
D910,194	S	*	2/2021	Radtke	.....	D24/215
D911,535	S	*	2/2021	Yu	.....	D24/214
D912,267	S	*	3/2021	Tang	.....	D24/215
D913,516	S	*	3/2021	Zhang	.....	D24/215
D913,517	S	*	3/2021	Yu	.....	D24/215
D916,307	S	*	4/2021	Xiong	.....	D24/215
D917,060	S	*	4/2021	Hu	.....	D24/215
D925,751	S	*	7/2021	Wu	.....	D24/211
D926,333	S	*	7/2021	Zhang	.....	D24/215
D926,338	S	*	7/2021	Xu	.....	D24/215
D935,637	S	*	11/2021	Li	.....	D24/215
D939,724	S	*	12/2021	Hu	.....	D24/215
D939,725	S	*	12/2021	Tong	.....	D24/215
2021/0113427	A1	*	4/2021	Liu	.....	A61H 23/006

FOREIGN PATENT DOCUMENTS

JP	D1648219	S	12/2019
JP	D1655251	S	3/2020
KR	301018945		8/2019
KR	301040592		1/2020
TW	D205855		7/2020
TW	D207173		9/2020

OTHER PUBLICATIONS

Amazon, "Hypervolt 2 Massage Gun", Oct. 12, 2021. [https://www.amazon.com/Hypervolt-Featuring-Technology-Percussion-Interchangeable/dp/B09JB5CZDB/ref=cm\\_cr\\_ar\\_p\\_d\\_product\\_top?ie=UTF8](https://www.amazon.com/Hypervolt-Featuring-Technology-Percussion-Interchangeable/dp/B09JB5CZDB/ref=cm_cr_ar_p_d_product_top?ie=UTF8). Shown on p. 1. (Year: 2021).\*

Advertisement for Impact Massage Gun by Trigger Point, [Accessed online on Mar. 10, 2020, from <https://triggerpoint.implus.com/impact>].

"Massage Gun Mini," Advertisement for Massage Guns, [Accessed online on Mar. 10, 2020, from <https://massageguns.com/products/massage-gun-mini>].

"Massage Gun for Athletes," Advertisement for Massage Gun by Eraxusa, [Accessed online on Mar. 10, 2020, from <https://www.amazon.com/Athletes-Percussion-Relaxation-Cordless-Handheld/dp/B08482751K>].

"Personal Percussion Massage Gun," Advertisement for Massage Gun by GYL Hong Yuan, [Accessed online on Mar. 10, 2020, from <https://www.amazon.com/Personal-Percussion-Massage-Therapy-Massager/dp/B07ZFC2YP6>].

"Massage Gun Deep Tissue Percussion Muscle Relaxer for Pain Relief," Advertisement for Massage Gun by BQQCSTY, [Accessed online on Mar. 10, 2020, from <https://www.amazon.com/Massager-Percussion-Vibration-Brushless-BQQCSTY/dp/B0833PPDKJ>].

"Massage Gun Deep Tissue Percussion Muscle Massager for Pain Relief," Advertisement for Massage Gun by Techframe, [Accessed online on Mar. 10, 2020, from <https://www.amazon.com/Percussion-Massager-Handheld-Brushless-TECHFRAME/dp/B081JZSYDC/>].

"Massage Gun Deep Tissue Percussion Muscle Relaxer for Pain Relief," Advertisement for Massage Gun by Redapo, [Accessed

online on Mar. 10, 2020, from <https://www.amazon.com/Massage-Tissue-Percussion-Muscle-Massager/dp/B083SRHSJD>].

"Massage Gun for Athletes," Advertisement for Massage Gun by Emaxusa, [Accessed online on Mar. 10, 2020, from <https://www.amazon.com/Athletes-Percussion-Relaxation-Cordless-Handheld/dp/B0849L5PVX>].

"China Wholesale Portable Massage Gun Body Deep Vibration Massage Gun," Advertisement for Massage Gun by Komfurt, [Accessed online on Mar. 10, 2020, from [https://www.alibaba.com/product-detail/Portable-body-vibration-massage-machine-muscle\\_62350829004.html](https://www.alibaba.com/product-detail/Portable-body-vibration-massage-machine-muscle_62350829004.html)].

Advertisement for Massage Gun by OEM, [Accessed online on Mar. 10, 2020, from [https://www.alibaba.com/product-detail/DR-deep-tissue-body-heated-sports\\_62412429882.html](https://www.alibaba.com/product-detail/DR-deep-tissue-body-heated-sports_62412429882.html)].

Advertisement for Massage Gun by Uron, [Accessed online on Mar. 10, 2020, from [https://www.alibaba.com/product-detail/2020-new-design-Handheld-Battery-Operated\\_62344174380.html](https://www.alibaba.com/product-detail/2020-new-design-Handheld-Battery-Operated_62344174380.html)].

"Landwind," Advertisement for Massage Gun by Landwind, [Accessed online on Mar. 10, 2020, from [https://www.alibaba.com/product-detail/Hot-selling-new-product-Deep-Muscle\\_62414431910.html](https://www.alibaba.com/product-detail/Hot-selling-new-product-Deep-Muscle_62414431910.html)].

"Booster," Advertisement for Massage Gun by Winstar, [Accessed online on Mar. 10, 2020, from [https://www.alibaba.com/product-detail/Most-Popular-Best-Muscle-Hand-Held\\_62429335924.html](https://www.alibaba.com/product-detail/Most-Popular-Best-Muscle-Hand-Held_62429335924.html)].

Advertisement for Massage Gun by Enjoy Master, [Accessed online on Mar. 10, 2020, from [https://www.alibaba.com/product-detail/handheld-wireless-percussion-rotating-handheld-shiatsu\\_62340394278.html](https://www.alibaba.com/product-detail/handheld-wireless-percussion-rotating-handheld-shiatsu_62340394278.html)].

"Portable electric cordless back shoulder leg body relax massager deep tissue vibration muscle massage gun," Advertisement for Massage Gun by Kaleume, [Accessed online on Mar. 10, 2020, from [https://www.alibaba.com/product-detail/Handheld-Portable-electric-cordless-neck-shoulder\\_62340312077.html](https://www.alibaba.com/product-detail/Handheld-Portable-electric-cordless-neck-shoulder_62340312077.html)].

Advertisement for Massage Gun by MPT, [Accessed online on Mar. 10, 2020, from [https://www.alibaba.com/product-detail/MPT-26V-2500mAH-Portable-Handheld-Cordless\\_62173601405.html](https://www.alibaba.com/product-detail/MPT-26V-2500mAH-Portable-Handheld-Cordless_62173601405.html)].

"ElecForU Deep Tissue Percussion Handheld Massager for Sore Muscle and Stiffness," Advertisement for Massage Gun by Elecforu, [Accessed online on Mar. 10, 2020, from <https://www.amazon.com/dp/B07WTW8PSJ>].

"Sonic Handheld Percussion Massage Gun," Advertisement for Massage Gun by LifePro, [Accessed online on Mar. 10, 2020, from <https://www.amazon.com/Sonic-Handheld-Percussion-Massage-High-Intensity/dp/B07QTBVYJ1>].

"Electric Massage Gun Fascia Gun Percussion Therapy Relax Muscle Device 5 Speeds 3600RPM," Advertisement for Massage Gun by Massage, [Accessed online on Mar. 10, 2020, from <https://www.geekbuying.com/item/Electric-Massage-Gun-Relax-Muscle-Therapy-Device-Black-418543.html>].

"Strong Massage Gun Deep Tissue Percussion Muscle Massager for Pain Relief," Advertisement for Massage Gun by Mukelai, [Accessed online on Mar. 10, 2020, from [https://www.amazon.com/dp/B07WVRD583/ref=psdc\\_3767521\\_t1\\_B07Y5YY9QF?th=1](https://www.amazon.com/dp/B07WVRD583/ref=psdc_3767521_t1_B07Y5YY9QF?th=1)].

IPO Search Report for corresponding TW design patent application No. 110300574, dated May 27, 2021, 2 pages.

English translation of IPO Search Report for corresponding TW patent application No. 110300574, dated May 27, 2021, 2 pages.

\* cited by examiner

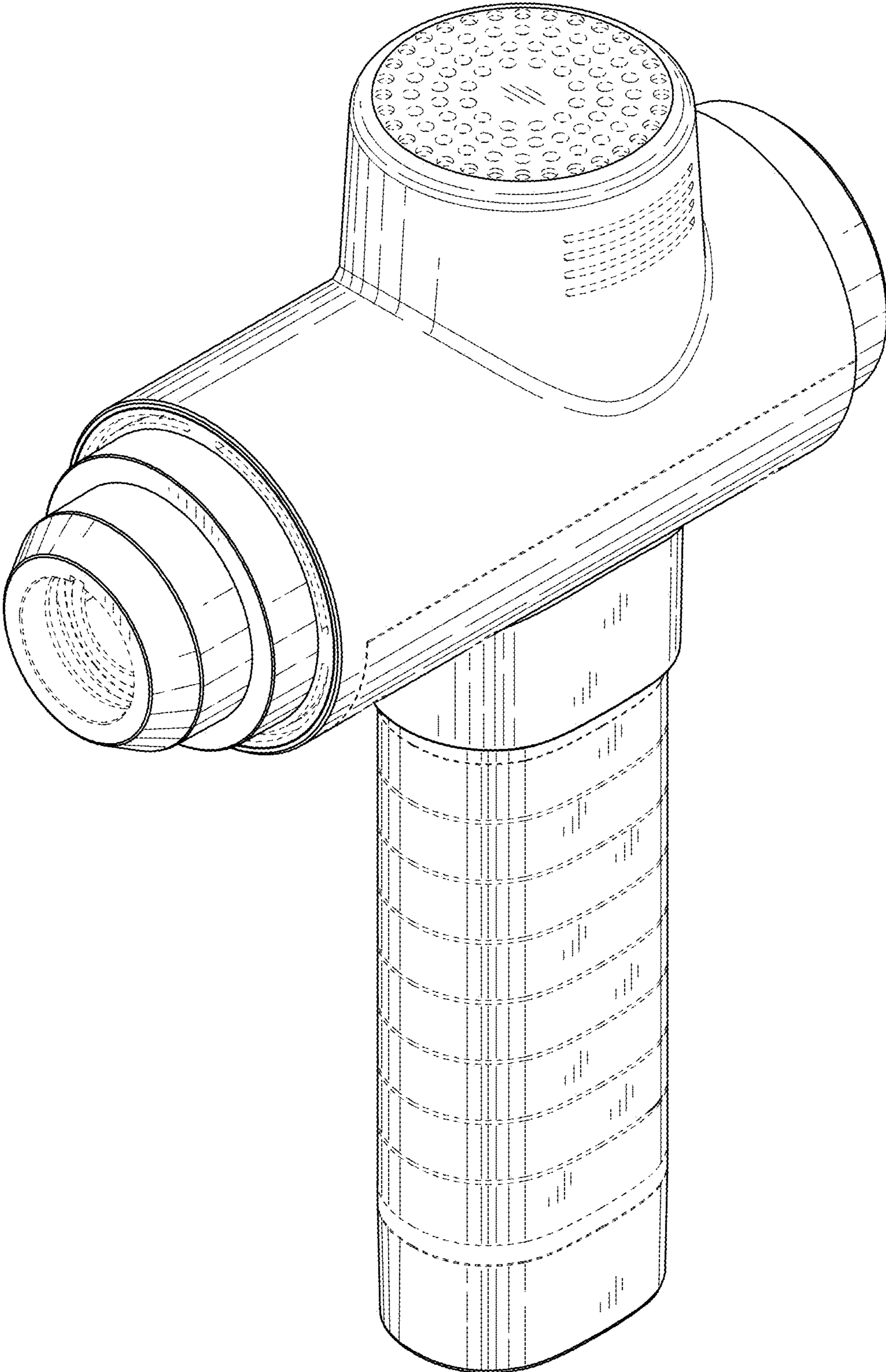


FIG. 1

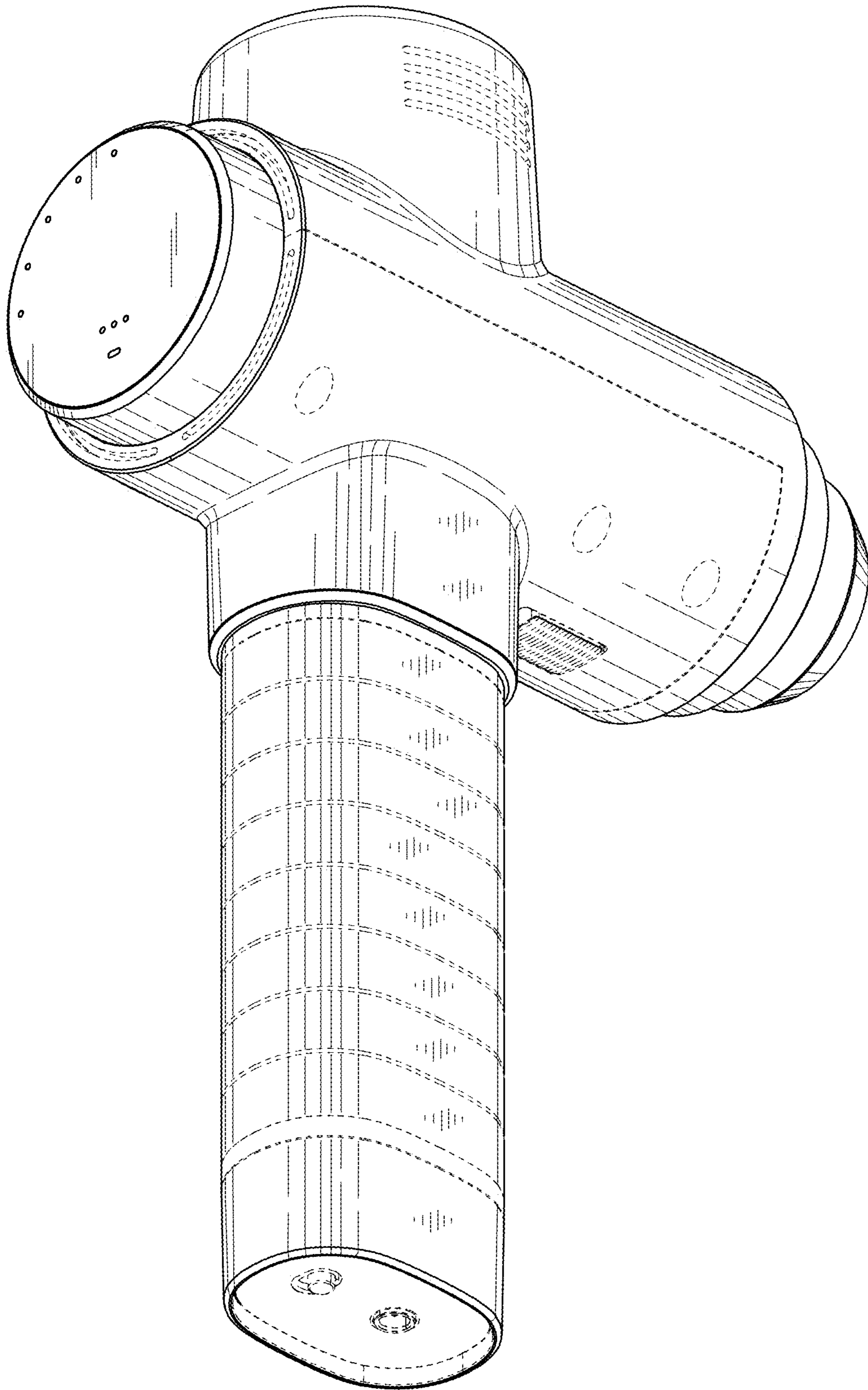


FIG. 2

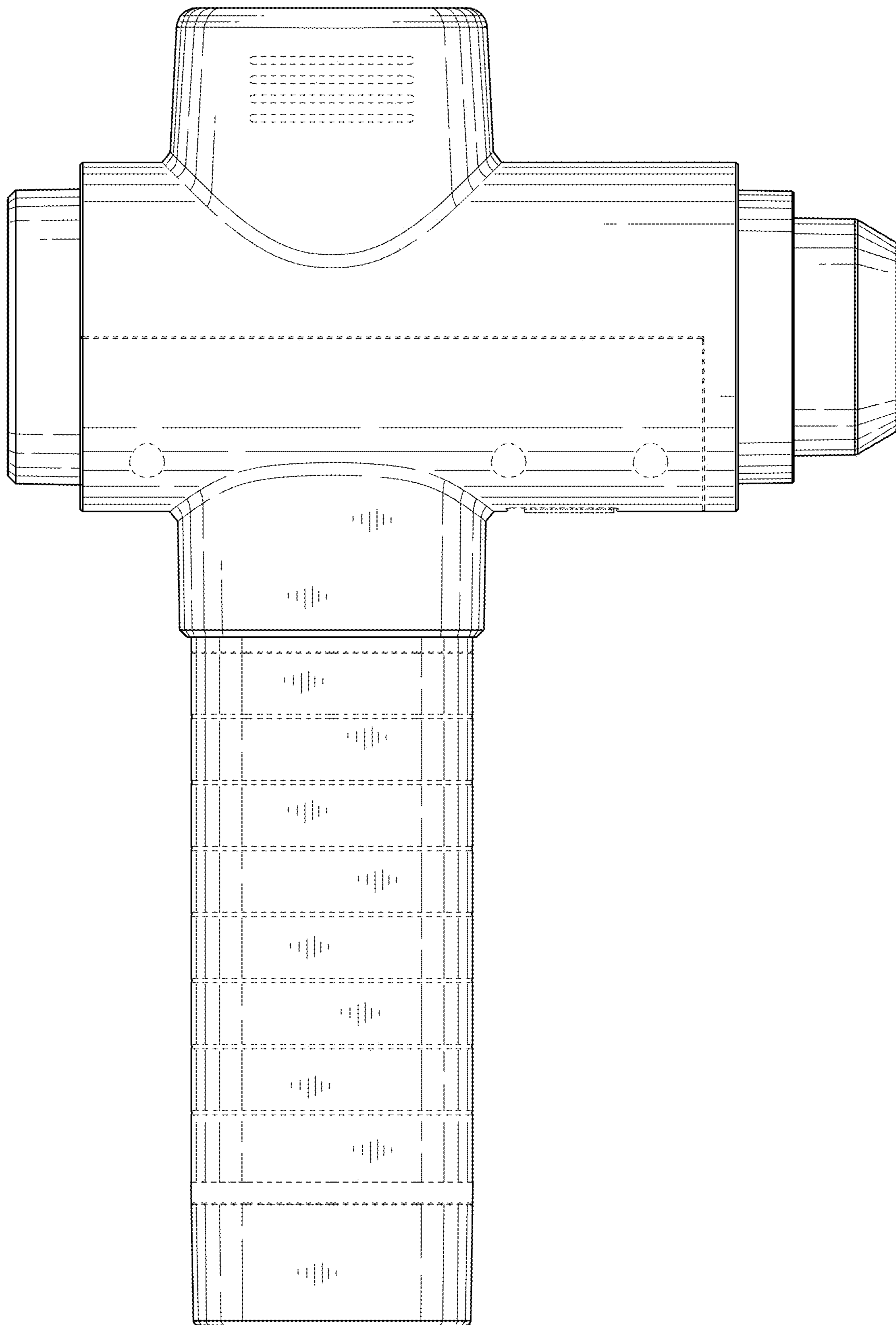


FIG. 3

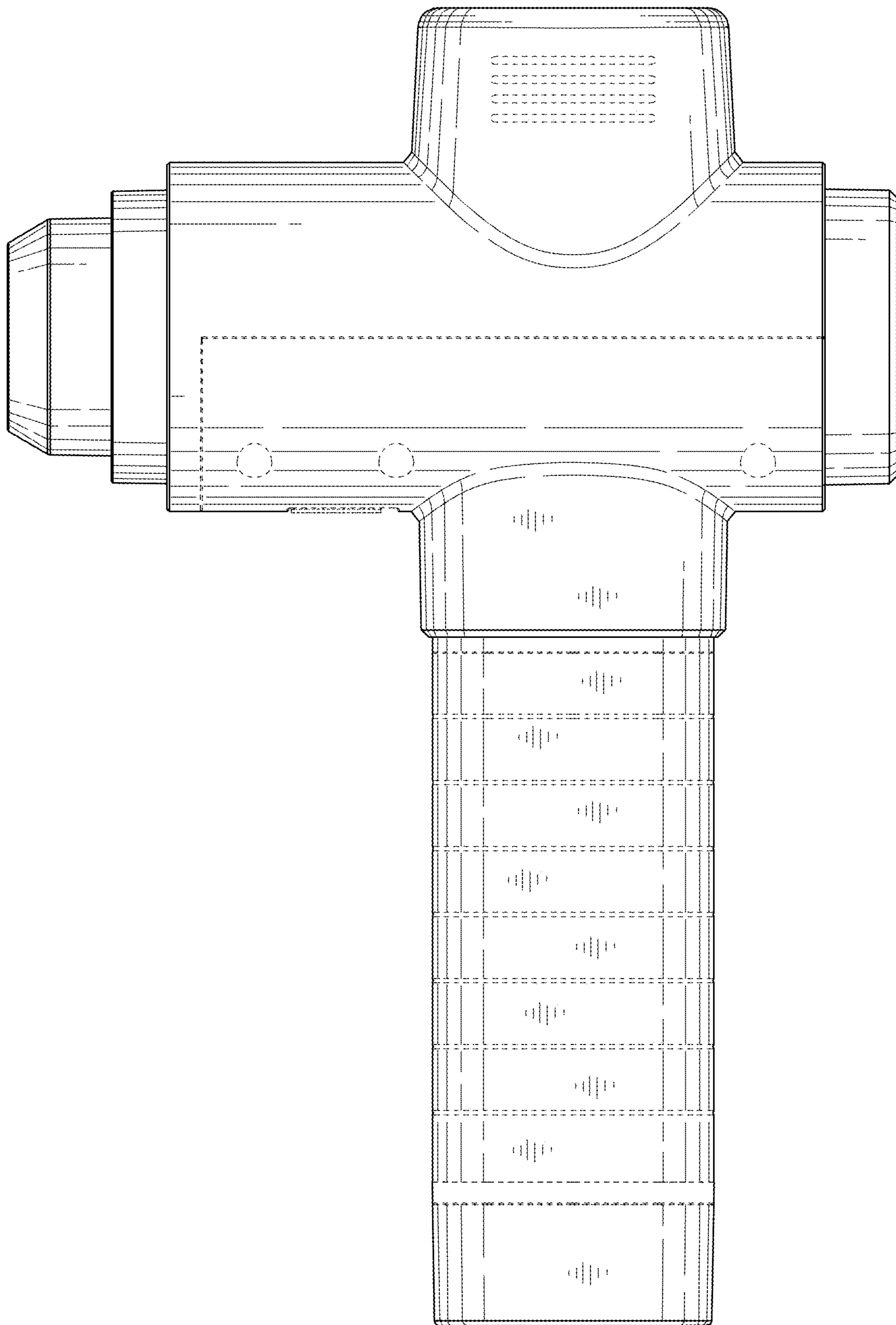


FIG. 4

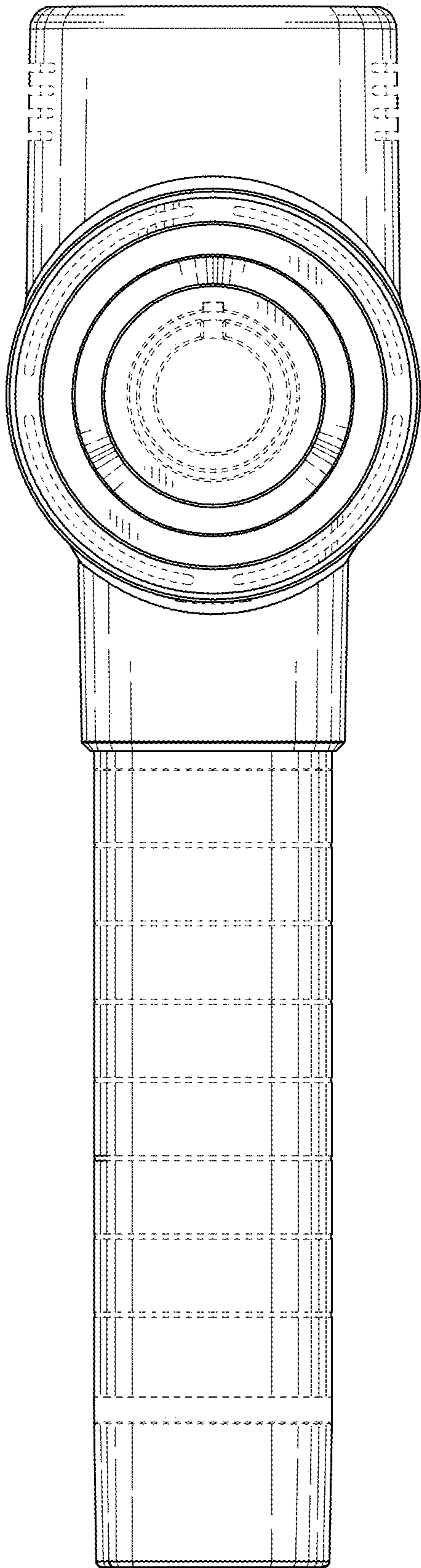


FIG. 5

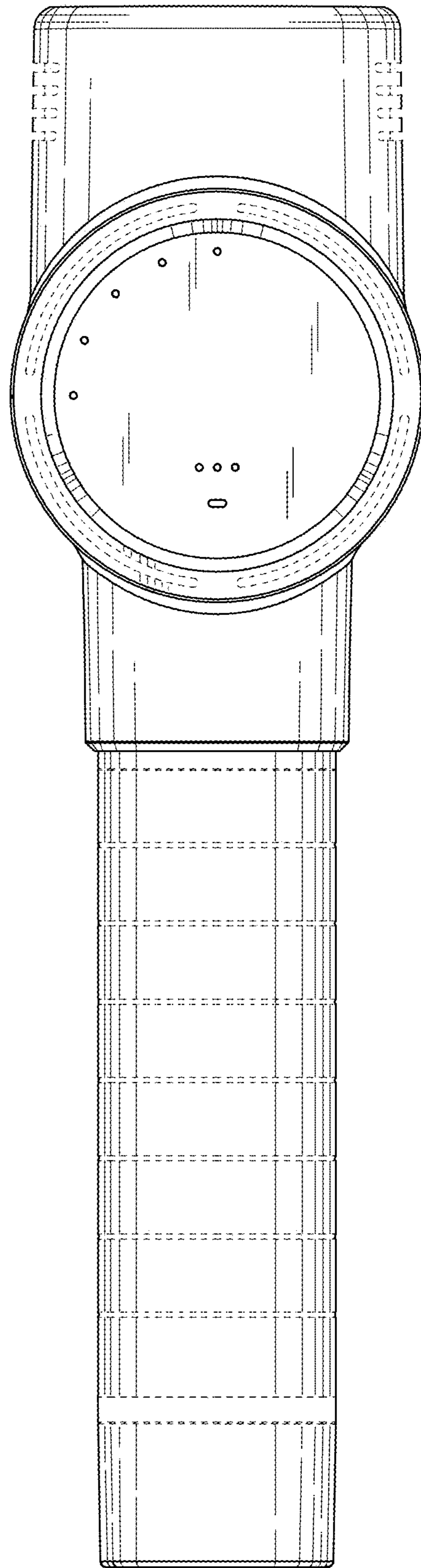


FIG. 6

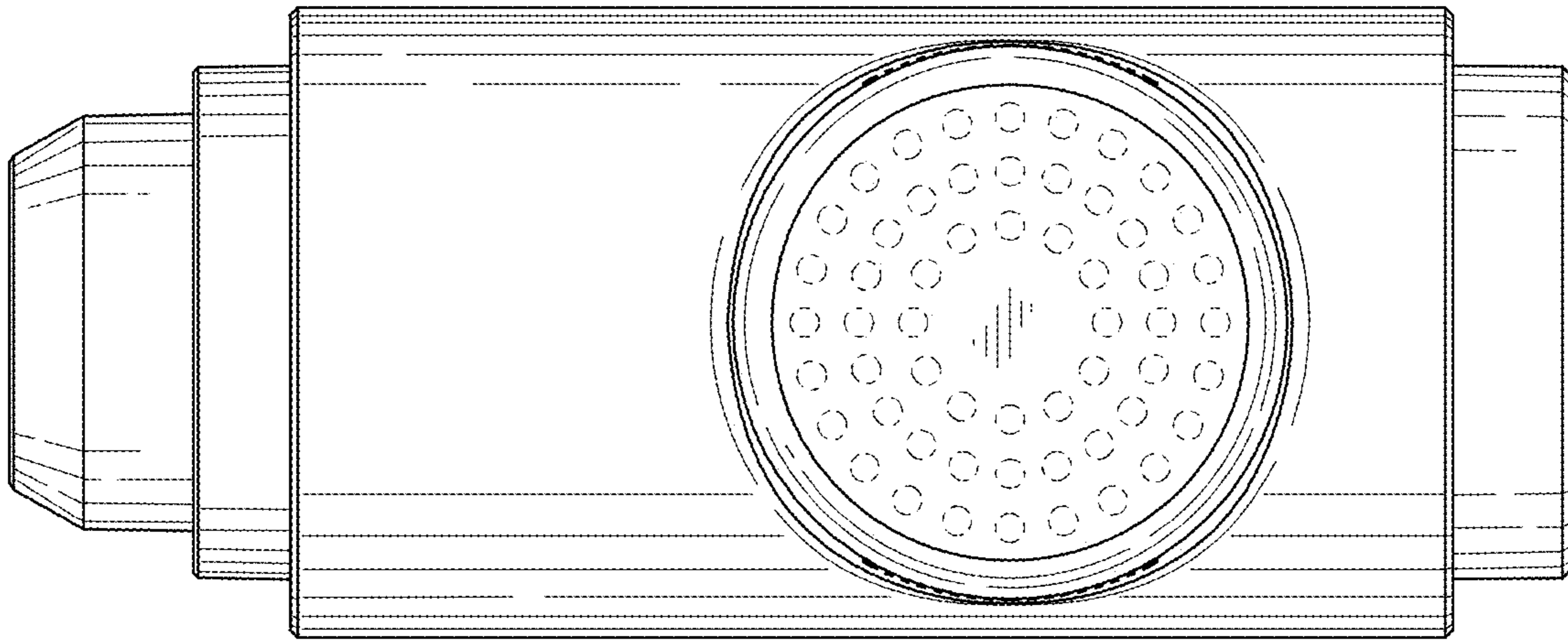


FIG. 7

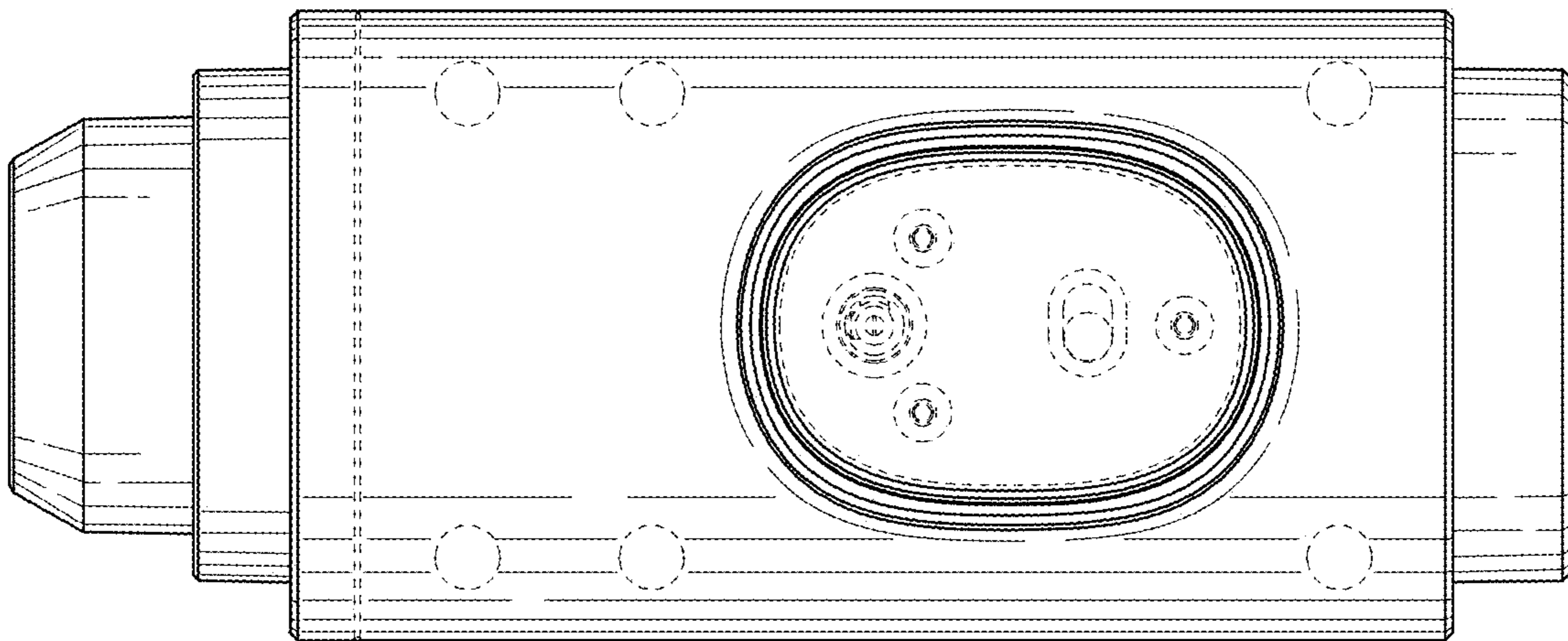


FIG. 8