



US00D956249S

(12) **United States Design Patent** (10) **Patent No.:** **US D956,249 S**
Ying (45) **Date of Patent:** **** *Jun. 28, 2022**

- (54) **PERCUSSION MASSAGE GUN**
- (71) Applicant: **Min Ying**, Yongkang (CN)
- (72) Inventor: **Min Ying**, Yongkang (CN)
- (73) Assignee: **Min Ying**, Yongkang (CN)
- (*) Notice: This patent is subject to a terminal disclaimer.
- (**) Term: **15 Years**
- (21) Appl. No.: **29/728,155**
- (22) Filed: **Mar. 16, 2020**
- (30) **Foreign Application Priority Data**
Mar. 6, 2020 (CN) 202030072253.6
- (51) **LOC (13) Cl.** **28-03**
- (52) **U.S. Cl.**
USPC **D24/215**
- (58) **Field of Classification Search**
USPC D24/200, 211, 212, 213, 214, 215;
D8/14.1; D28/13
CPC . A61H 2201/1635; A61H 23/006; A61H 1/00
See application file for complete search history.

- (56) **References Cited**
U.S. PATENT DOCUMENTS
- | | | | | | |
|------------|------|---------|----------|-------|------------|
| 10,428,850 | B2 * | 10/2019 | Wersland | | B23B 31/11 |
| 10,470,970 | B2 * | 11/2019 | Nazarian | | F16D 1/087 |
| D872,869 | S * | 1/2020 | Lu | | D24/215 |
| D877,351 | S * | 3/2020 | Wersland | | D24/215 |
| D879,985 | S * | 3/2020 | Wersland | | D24/214 |
| D879,986 | S * | 3/2020 | Wersland | | D24/214 |
| D880,714 | S * | 4/2020 | Wersland | | D24/215 |
| D880,715 | S * | 4/2020 | Wersland | | D24/215 |
| D880,716 | S * | 4/2020 | Wersland | | D24/215 |
| D884,915 | S * | 5/2020 | Wersland | | D24/215 |
| D885,601 | S * | 5/2020 | Wersland | | D24/215 |

- | | | | | | |
|--------------|------|---------|----------|-------|--------------|
| D887,573 | S * | 6/2020 | Wersland | | D24/215 |
| 10,714,953 | B1 * | 7/2020 | Solana | | H02J 7/0044 |
| D912,268 | S * | 3/2021 | Xiang | | D24/215 |
| D912,835 | S * | 3/2021 | Ren | | D24/200 |
| 10,940,081 | B2 * | 3/2021 | Nazarian | | A61H 23/006 |
| 10,959,911 | B2 * | 3/2021 | Wersland | | A61H 1/00 |
| D921,914 | S * | 6/2021 | Wersland | | D24/214 |
| D930,179 | S * | 9/2021 | Zhu | | D24/215 |
| 2016/0367425 | A1 * | 12/2016 | Wersland | | A61H 1/008 |
| 2017/0304145 | A1 * | 10/2017 | Pepe | | A61H 23/006 |
| 2018/0200141 | A1 * | 7/2018 | Wersland | | A61H 15/0085 |
| 2020/0069510 | A1 * | 3/2020 | Wersland | | A61H 23/006 |
| 2020/0214930 | A1 * | 7/2020 | Wersland | | A61H 1/00 |
| 2020/0261306 | A1 * | 8/2020 | Pepe | | A61H 23/0254 |
| 2020/0261307 | A1 * | 8/2020 | Wersland | | A61H 23/006 |
- (Continued)

OTHER PUBLICATIONS

Thefitbodyfactory, "FBF Hammer Massage Gun", Sep. 9, 2021.
<https://thefitbodyfactory.com/products/xbf-hammer-massage-gun>. Shown on p. 1. (Year: 2021).*

Primary Examiner — Michael A Maharajh

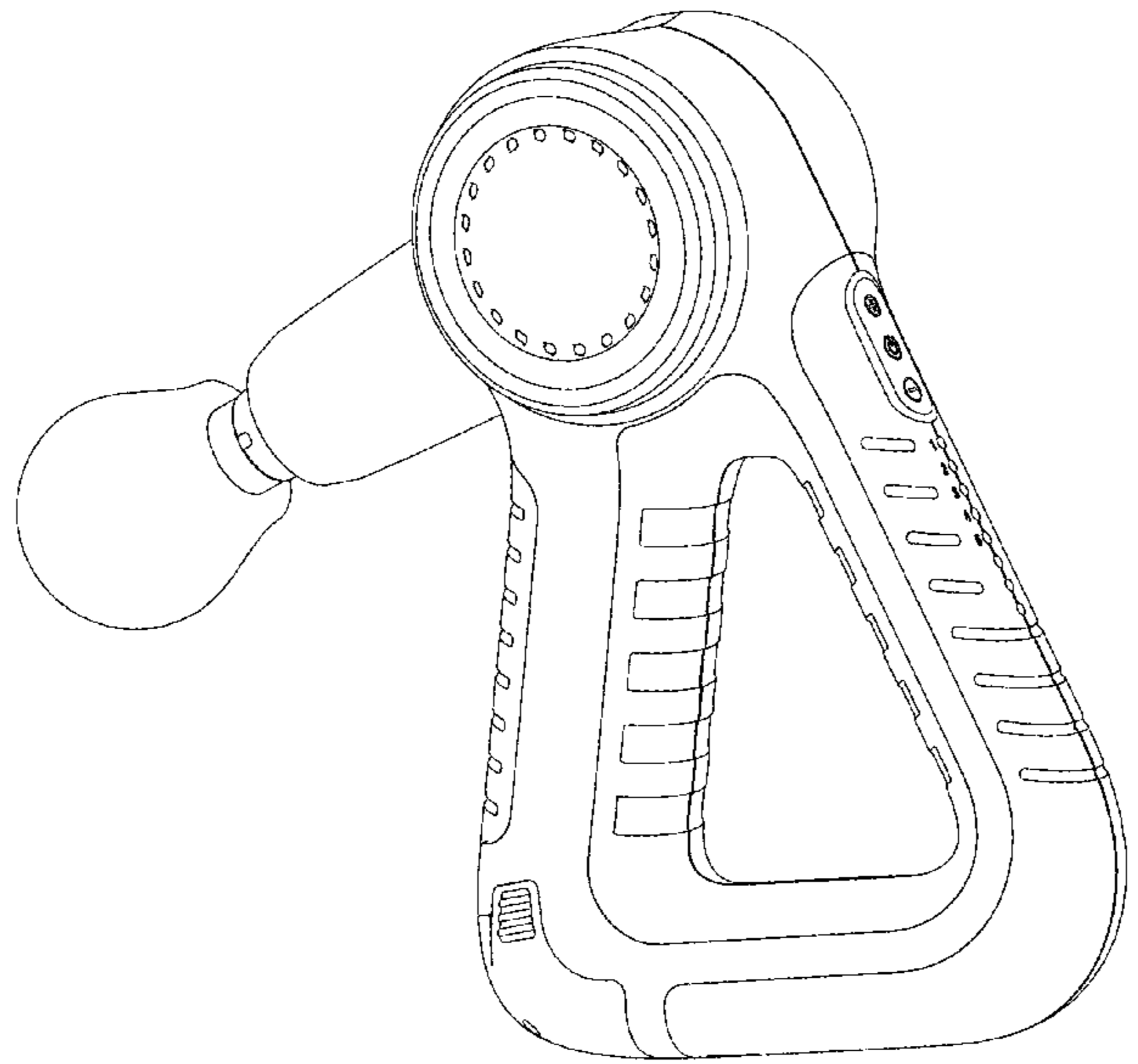
(57) **CLAIM**

The ornamental design for a percussion massage gun, as shown and described.

DESCRIPTION

FIG. 1 is a perspective view of a percussion massage gun showing my new design;
 FIG. 2 is another perspective view thereof;
 FIG. 3 is a front elevation view thereof;
 FIG. 4 is a left side elevation view thereof;
 FIG. 5 is a right side elevation view thereof;
 FIG. 6 is a top plan view thereof; and,
 FIG. 7 is a bottom plan view thereof.
 The broken lines in the drawings illustrate portions of the percussion massage gun that form no part of the claimed design.

1 Claim, 5 Drawing Sheets



(56)

References Cited

U.S. PATENT DOCUMENTS

2020/0268594 A1* 8/2020 Pepe A61H 15/02
2020/0352820 A1* 11/2020 Nazarian H02K 11/0094
2020/0405574 A1* 12/2020 Wersland A61H 1/008
2021/0022955 A1* 1/2021 Wersland A61H 1/006
2021/0059898 A1* 3/2021 Wersland A61H 15/00

* cited by examiner

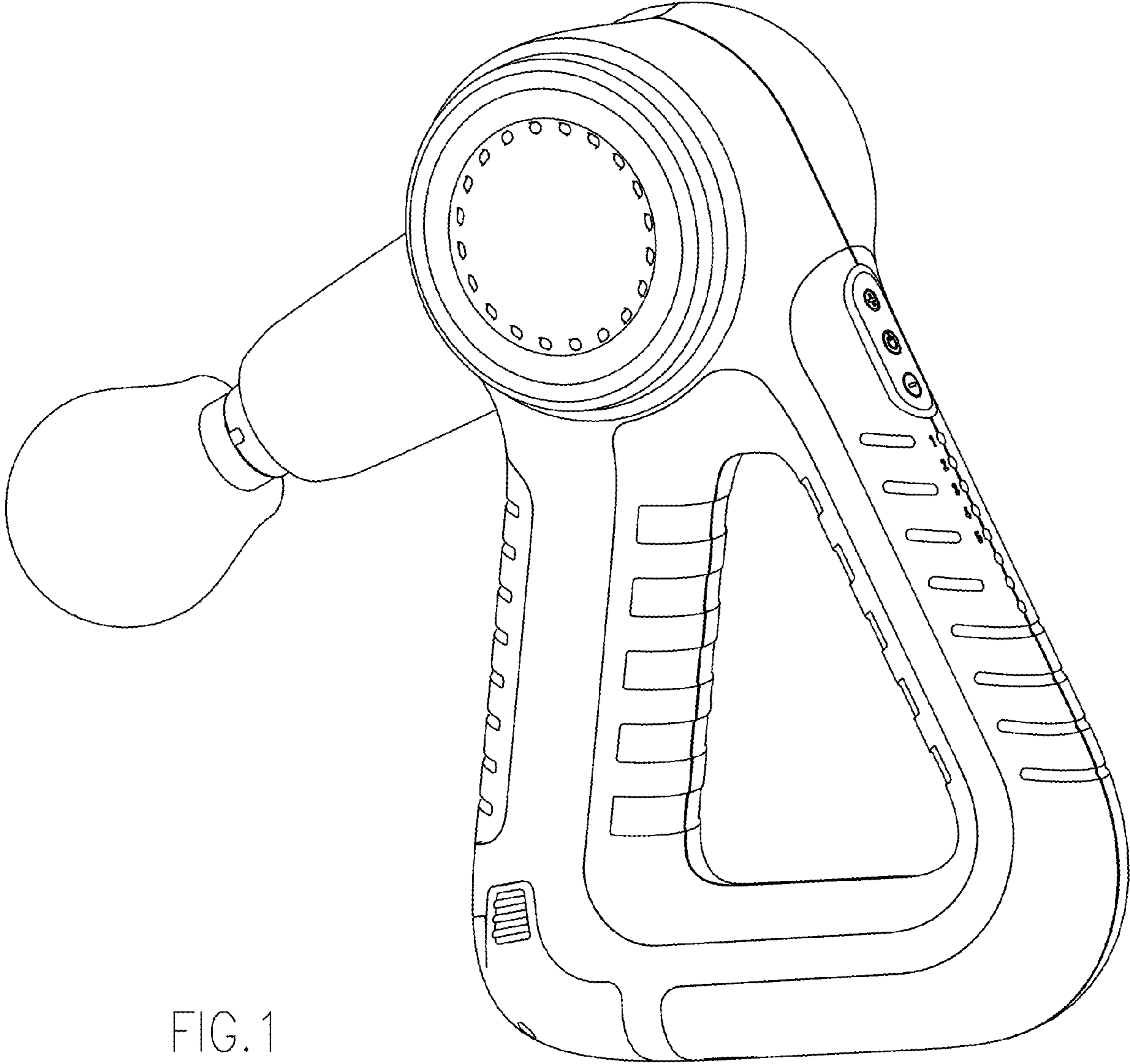


FIG. 1

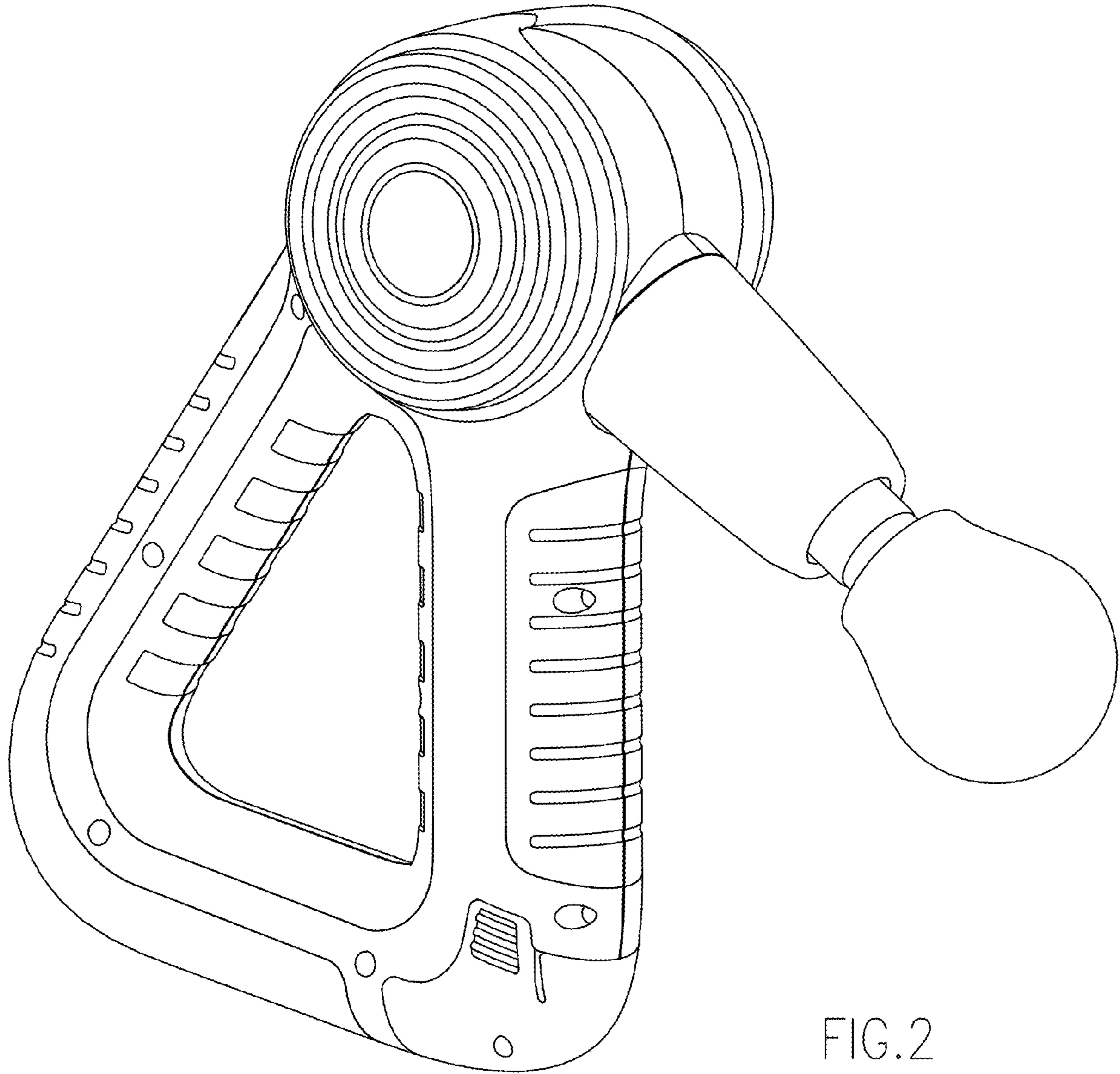


FIG.2

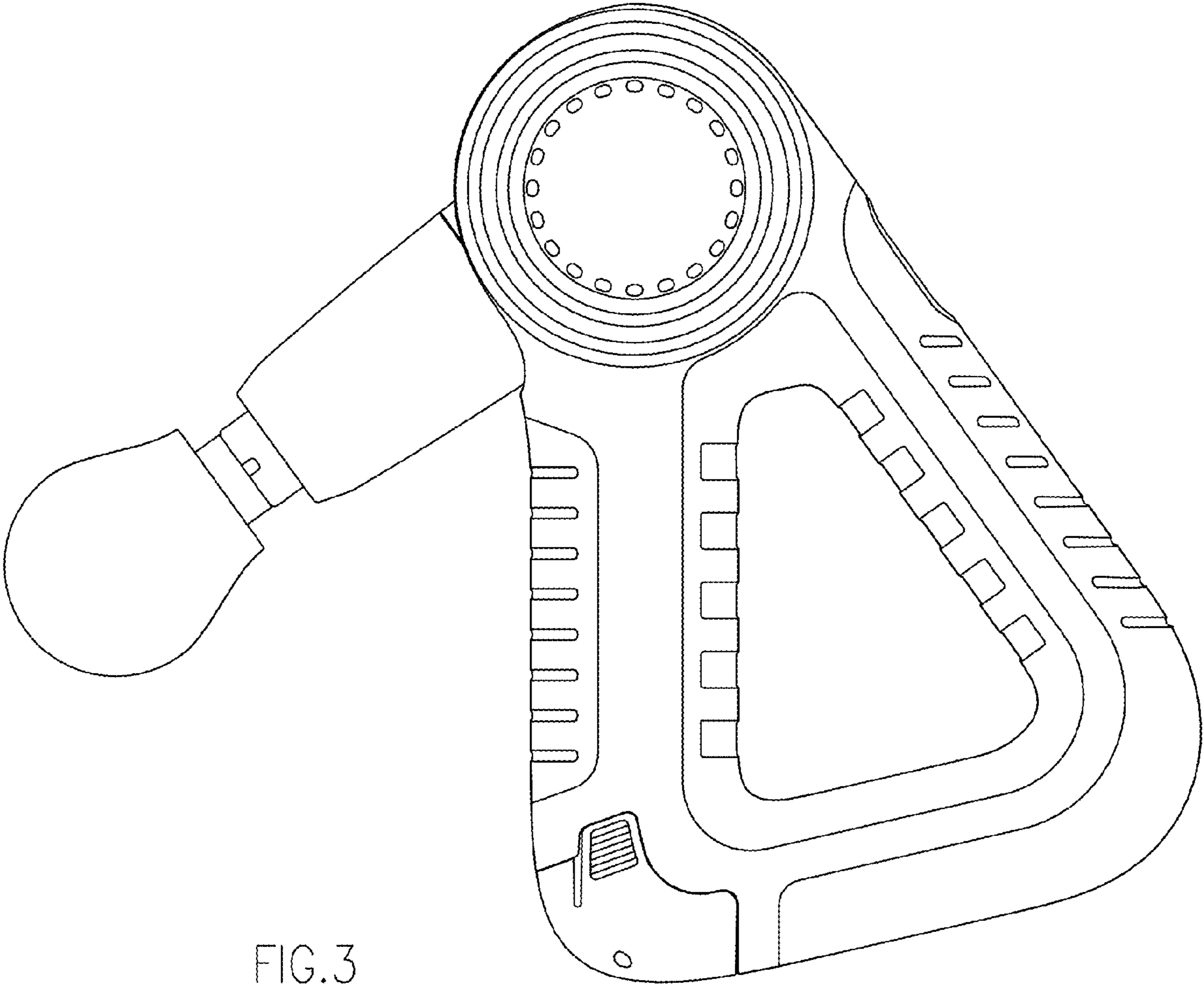


FIG.3

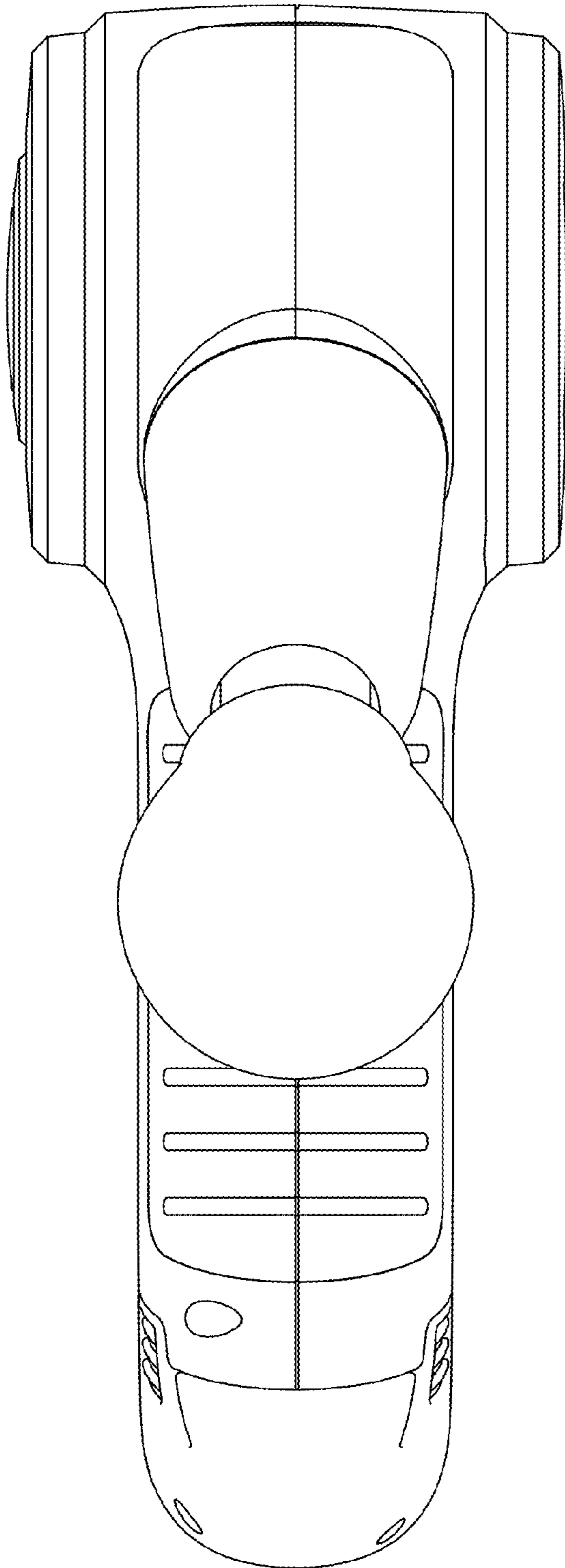


FIG. 4

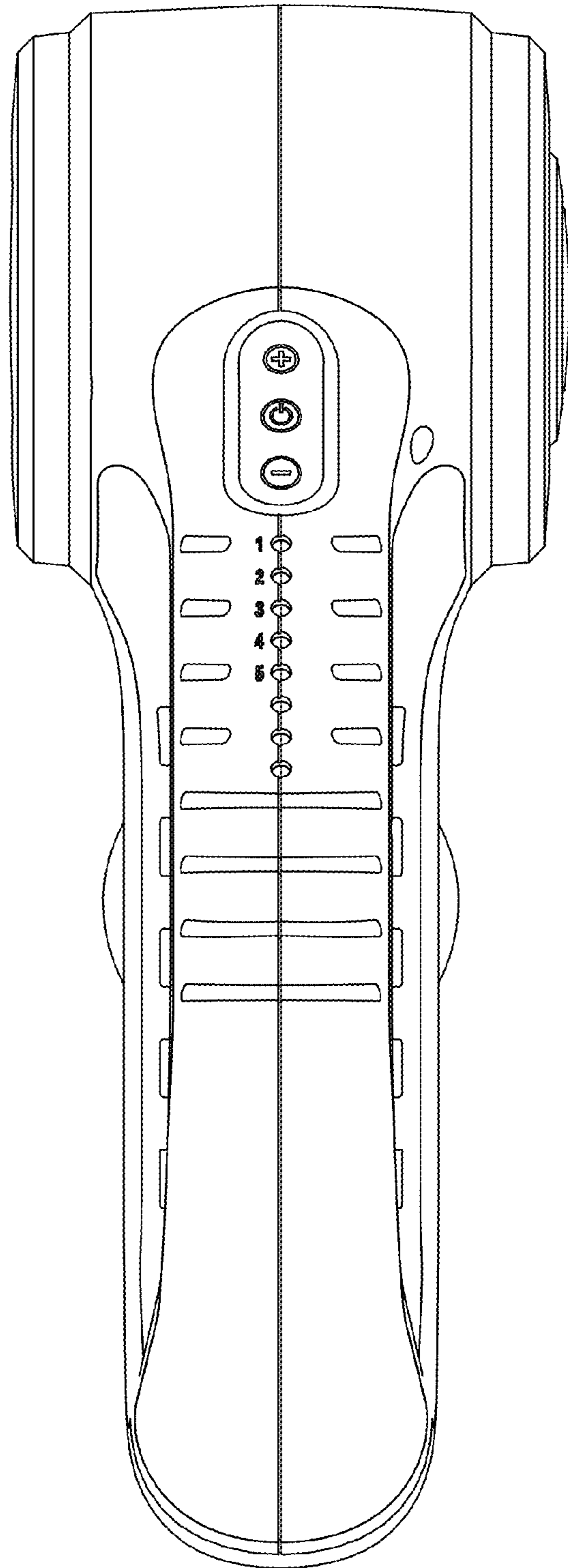


FIG. 5

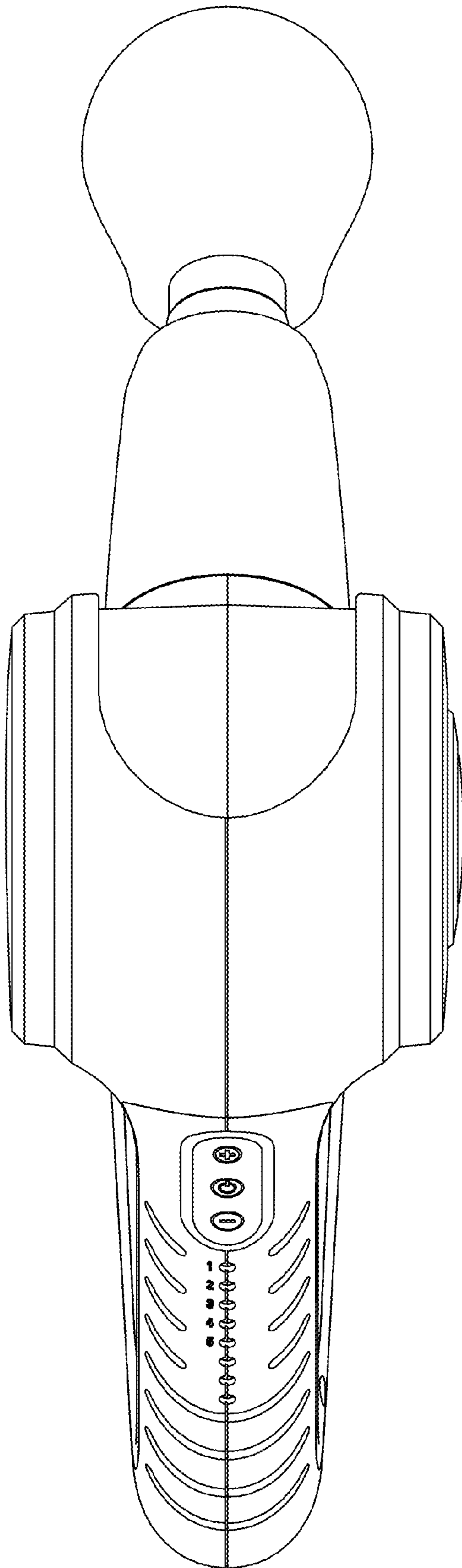


FIG. 6

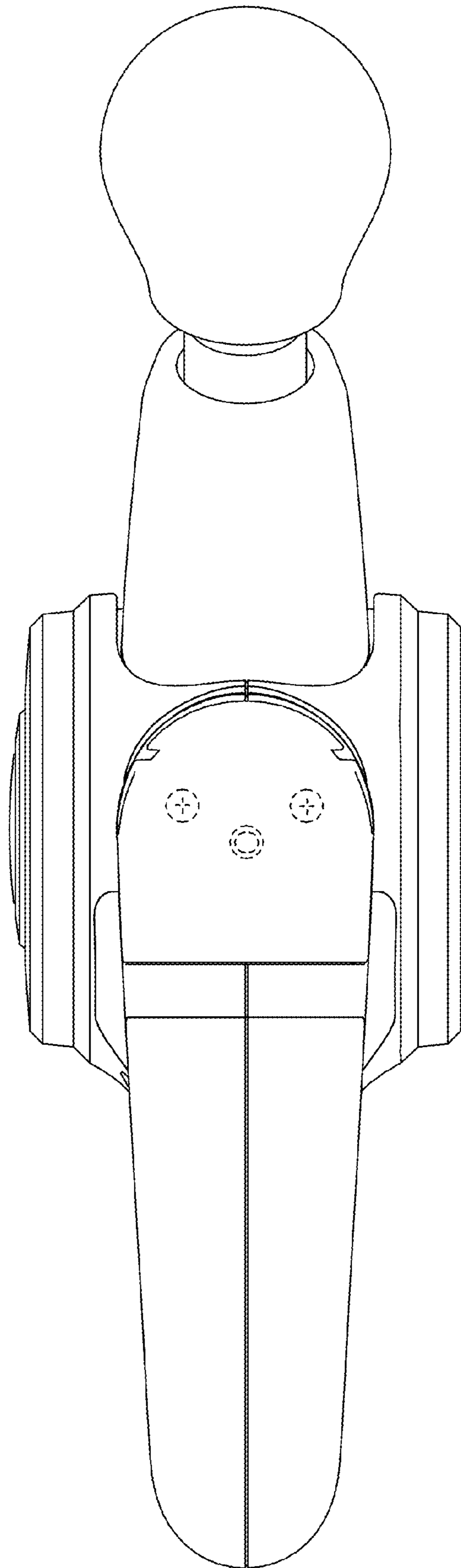


FIG. 7