

US00D956248S

(12) **United States Design Patent**
Haddock DiCarlo et al.

(10) **Patent No.:** **US D956,248 S**
(45) **Date of Patent:** **** Jun. 28, 2022**

(54) **ELECTROMECHANICAL STIMULATOR**

(71) Applicant: **Uccellini Inc.**, Bend, OR (US)

(72) Inventors: **Lora LeeAnne Haddock DiCarlo**,
Bend, OR (US); **Kimi Morooka**
Jensen, Beaverton, OR (US); **Kim**
Porter Henneman, Bend, OR (US)

(73) Assignee: **Uccellini Inc.**, Bend, OR (US)

(**) Term: **15 Years**

(21) Appl. No.: **29/717,547**

(22) Filed: **Dec. 18, 2019**

Related U.S. Application Data

(63) Continuation-in-part of application No. 16/569,701,
filed on Sep. 13, 2019, now Pat. No. 10,980,703,
which is a continuation-in-part of application No.
29/695,752, filed on Jun. 21, 2019, now Pat. No. Des.
898,937, said application No. 29/717,547 is a
continuation-in-part of application No. 29/695,752,
which is a continuation-in-part of application No.
29/675,567, filed on Jan. 3, 2019, now Pat. No. Des.
884,206.

(51) **LOC (13) Cl.** **28-03**

(52) **U.S. Cl.**
USPC **D24/215**

(58) **Field of Classification Search**
USPC D24/200, 211, 212, 213, 214, 215;
D30/160; D23/366
CPC .. A61H 19/32; A61H 19/34; A61H 2205/087;
A61H 19/00
See application file for complete search history.

(56) **References Cited**

U.S. PATENT DOCUMENTS

D309,660 S * 7/1990 Saguin D24/211
D438,977 S * 3/2001 Khalaj D24/200

D636,090 S * 4/2011 Tran D24/213
D722,175 S * 2/2015 Matsuura D24/215
D806,258 S * 12/2017 Sedic D24/200
D850,644 S * 6/2019 Sedic D24/215
D857,215 S * 8/2019 Lin D24/200
D861,187 S * 9/2019 Fuhner D24/215
D861,911 S * 10/2019 Fuhner D24/215
D868,990 S * 12/2019 Tse D24/215
D869,675 S * 12/2019 Hitscherich D24/215
D876,655 S * 2/2020 Lin D24/200
D878,616 S * 3/2020 Lin D24/200
D879,990 S * 3/2020 Qiu D24/215
D882,109 S * 4/2020 Qiu D24/215

(Continued)

OTHER PUBLICATIONS

Loradicarlo, "BACI", May 8, 2020. <https://loradicarlo.com/baci/>.
Shown on p. 1. (Year: 2020).*

(Continued)

Primary Examiner — Michael A Maharajh
(74) *Attorney, Agent, or Firm* — Maxine Lynn Barasch;
Dreamweaver Law, PLLC

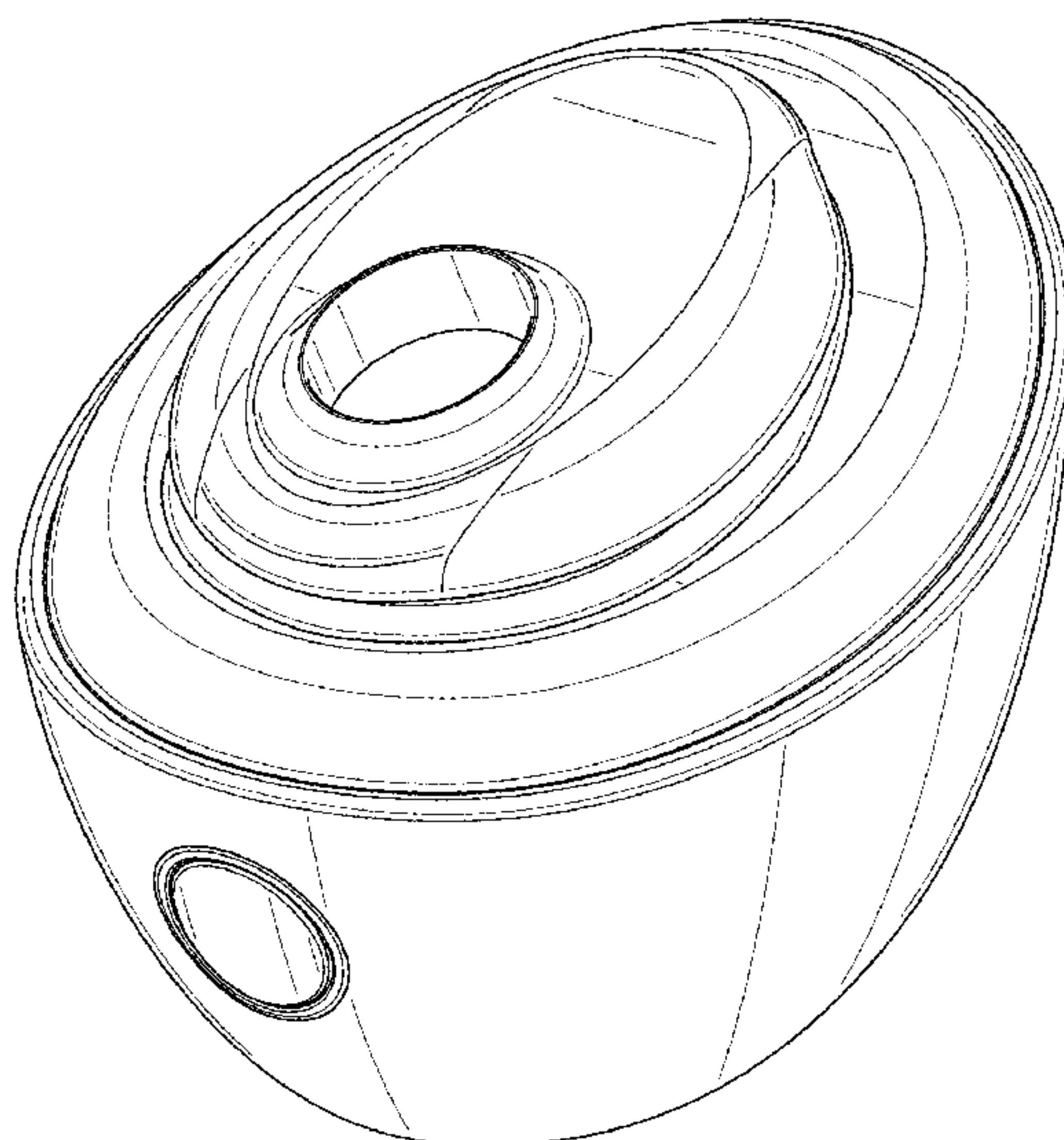
(57) **CLAIM**

The ornamental design for an electromechanical stimulator,
as shown and described.

DESCRIPTION

FIG. 1 is a front top right side perspective view of an
electromechanical stimulator showing our new design;
FIG. 2 is a rear bottom right-side perspective view thereof;
FIG. 3 is a front elevational view thereof;
FIG. 4 is a rear elevational view thereof;
FIG. 5 is a left-side elevational view thereof;
FIG. 6 is a right-side elevational view thereof;
FIG. 7 is a top plan view thereof; and,
FIG. 8 is a bottom plan view thereof.

1 Claim, 8 Drawing Sheets



(56)

References Cited

U.S. PATENT DOCUMENTS

D884,206 S * 5/2020 Haddock D24/215
 D884,914 S * 5/2020 Gao D24/215
 D887,568 S * 6/2020 Lin D24/200
 D888,266 S * 6/2020 Zhou D24/215
 D890,945 S * 7/2020 Lee D24/215
 D890,946 S * 7/2020 Lee D24/215
 D894,415 S * 8/2020 Blank D24/214
 D897,552 S * 9/2020 Meissner D24/215
 D898,937 S * 10/2020 Haddock D24/215
 D901,707 S * 11/2020 Meissner D24/215
 D902,425 S * 11/2020 Cornaro D24/215
 D902,426 S * 11/2020 Cornaro D24/215
 D911,544 S * 2/2021 Zhou D24/215
 10,959,907 B2 * 3/2021 Haddock A61H 19/34
 D915,616 S * 4/2021 Lee D24/215
 D917,062 S * 4/2021 Lee D24/215
 D917,710 S * 4/2021 Li D24/200
 D917,712 S * 4/2021 McDevitt D24/214
 10,980,703 B2 * 4/2021 Haddock A61H 1/00

D920,530 S * 5/2021 Sedic D24/215
 2020/0085679 A1 * 3/2020 Haddock A61H 19/34
 2020/0360222 A1 * 11/2020 Haddock DiCarlo . A61H 19/44

OTHER PUBLICATIONS

Amazon, "Lora DiCarlo Baci", Dec. 10, 2020. https://www.amazon.com/Lora-DiCarlo-Premium-Clitoral-Stimulator/dp/B089CH6Q2B/ref=sr_1_1?keywords=lora+dicarlo+baci+premium+robotic+clitoral+stimulator&qid=1636543219&qsid=142-6081353-8843030&s=hpc&sr=1-1&sres=B089CH6Q2B%2CB07YVQC4DR%2CB083BY3B2T%2CB07QXQ. (Year: 2020).*

Fox, Drew, "Womanizer Marks Anniversary With Limited Edition Liberty", XBIZ, <https://www.xbiz.com/news/247810/womanizer-marks-anniversary-with-limited-edition-liberty>, Oct. 23, 2019, 2 pgs.

Pardon, Rhett, "Satisfyer Pro Traveler Now Available at Eldorado", XBIZ, <https://www.xbiz.com/news/234100/satisfyer-pro-traveler-now-available-at-eldorado>, Mar. 3, 2018, 2 pgs.

"Womanizer Pro—Intense Clitoral Orgasm", JOUJOU, <https://www.joujou.com.au/products/new-womanizer-pro-intense-clitoral-orgasm>, Jun. 6, 2017, 2 pgs.

* cited by examiner

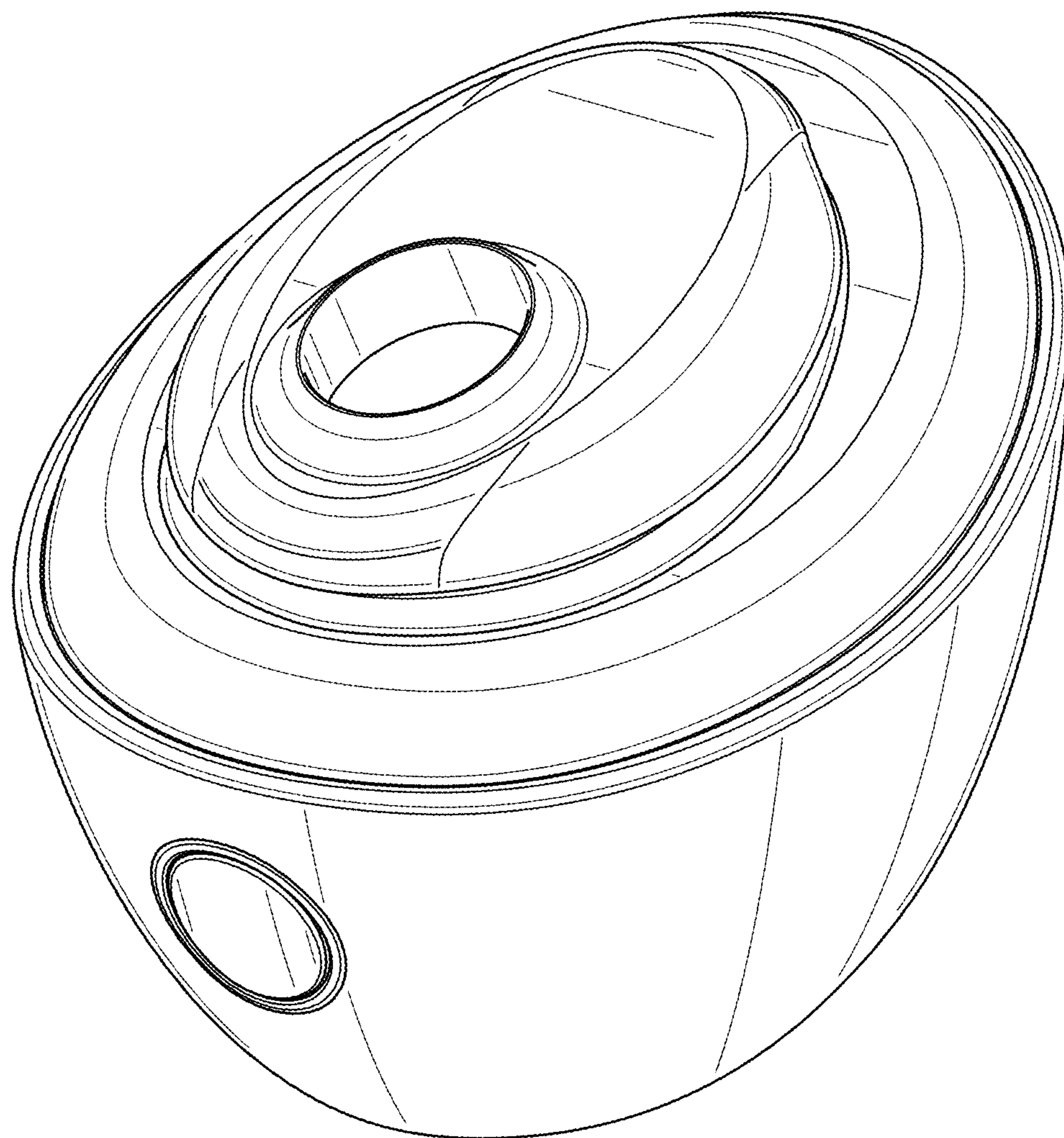


FIG. 1

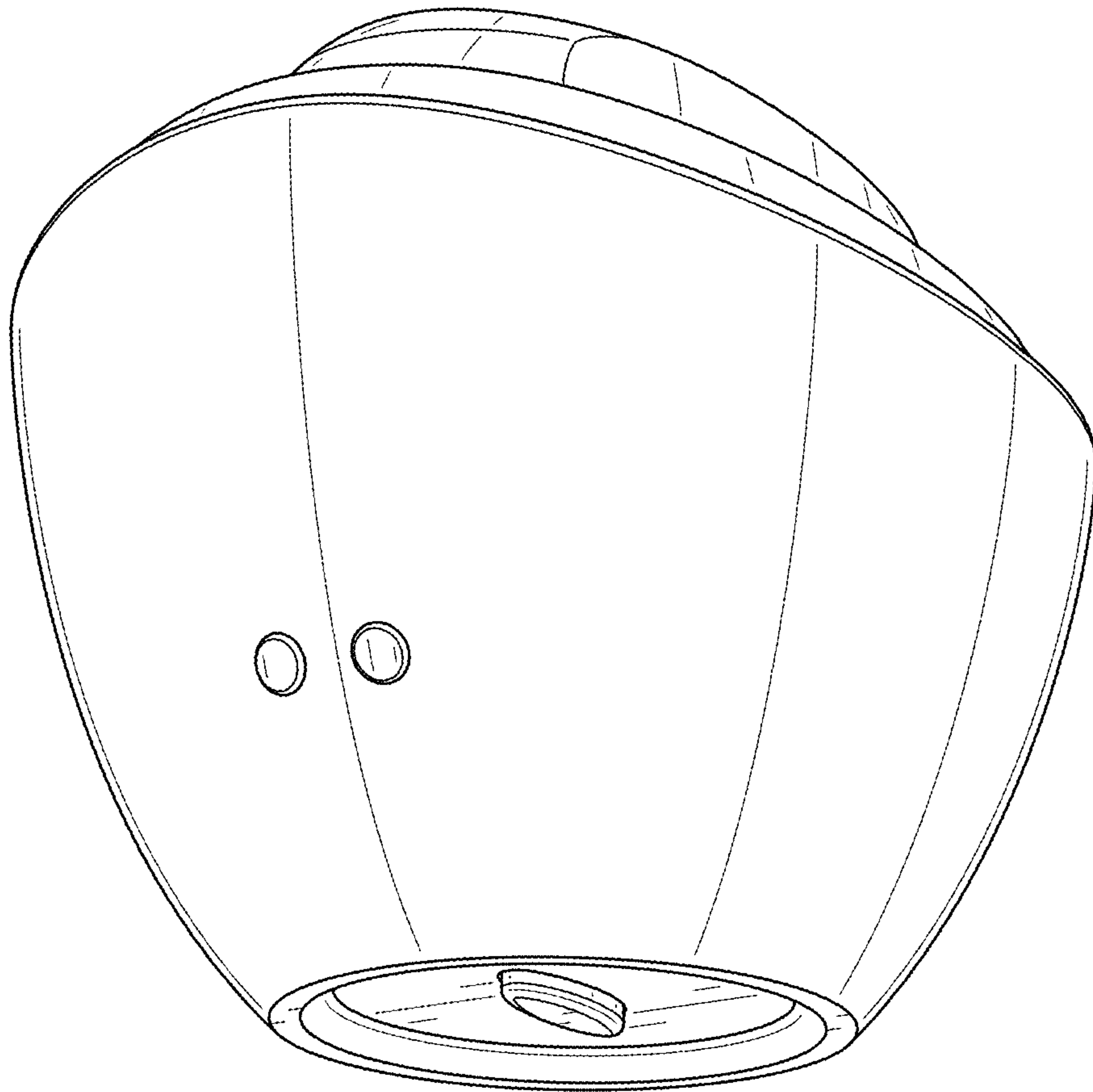


FIG. 2

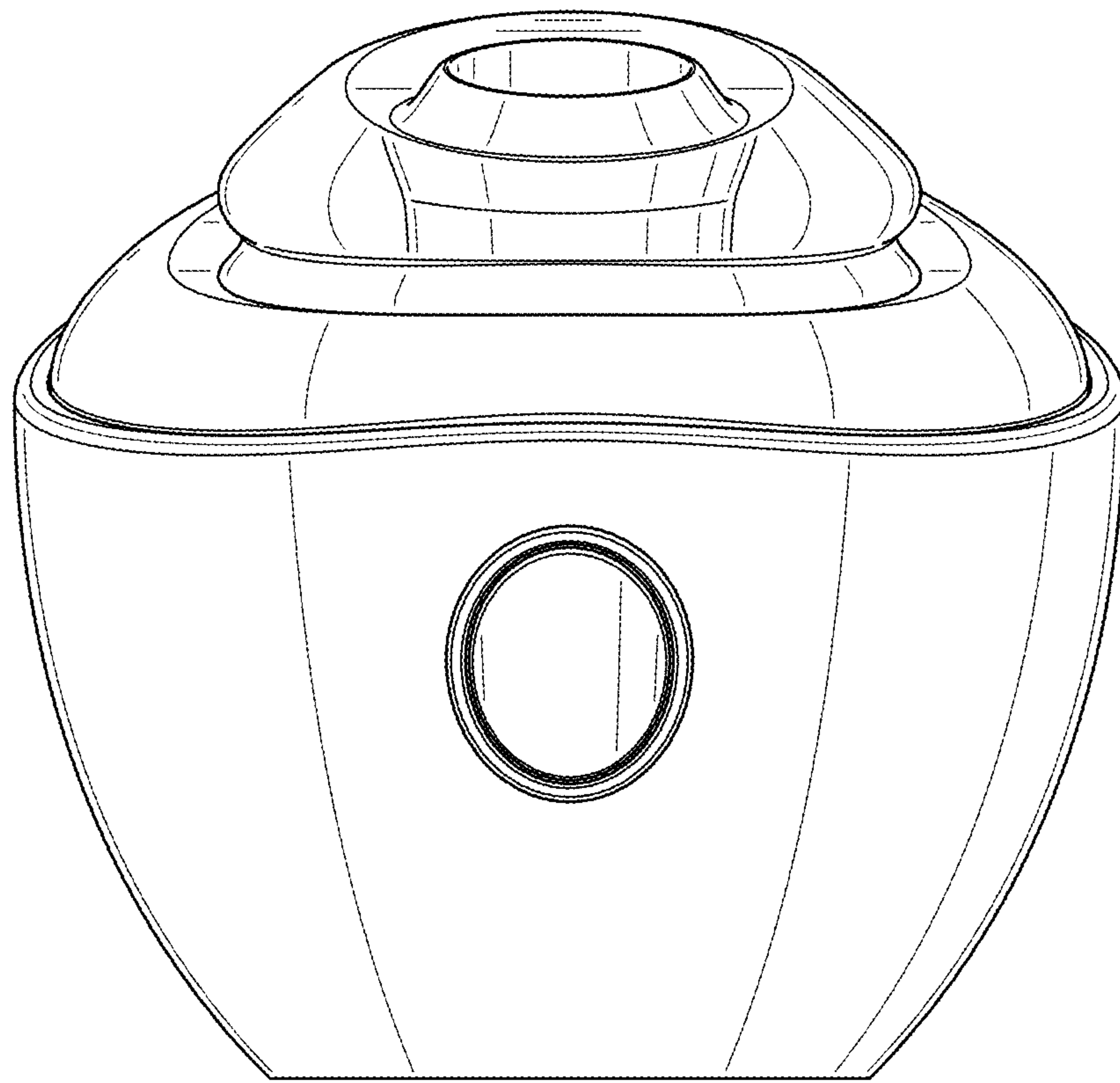


FIG. 3

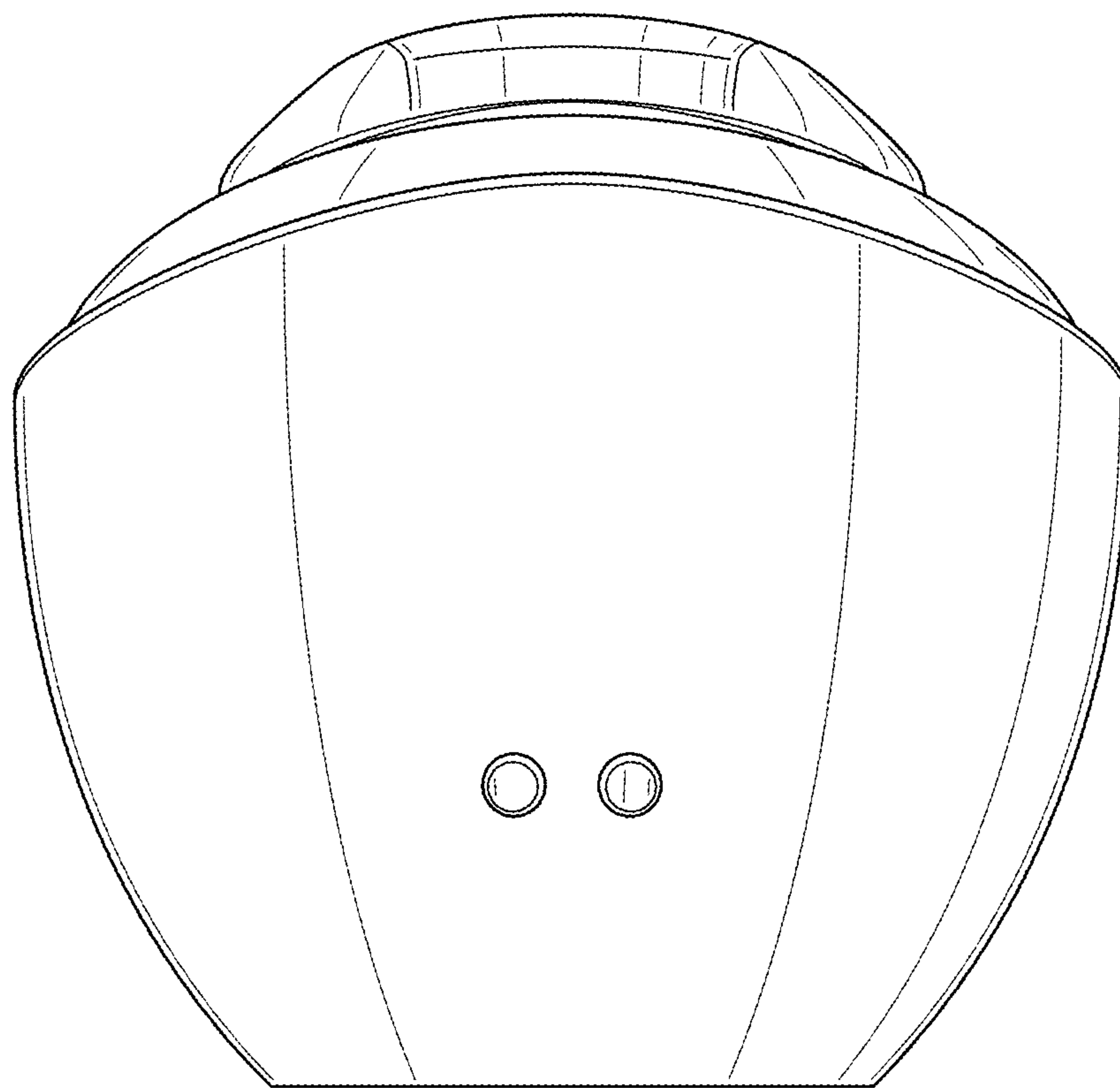


FIG. 4

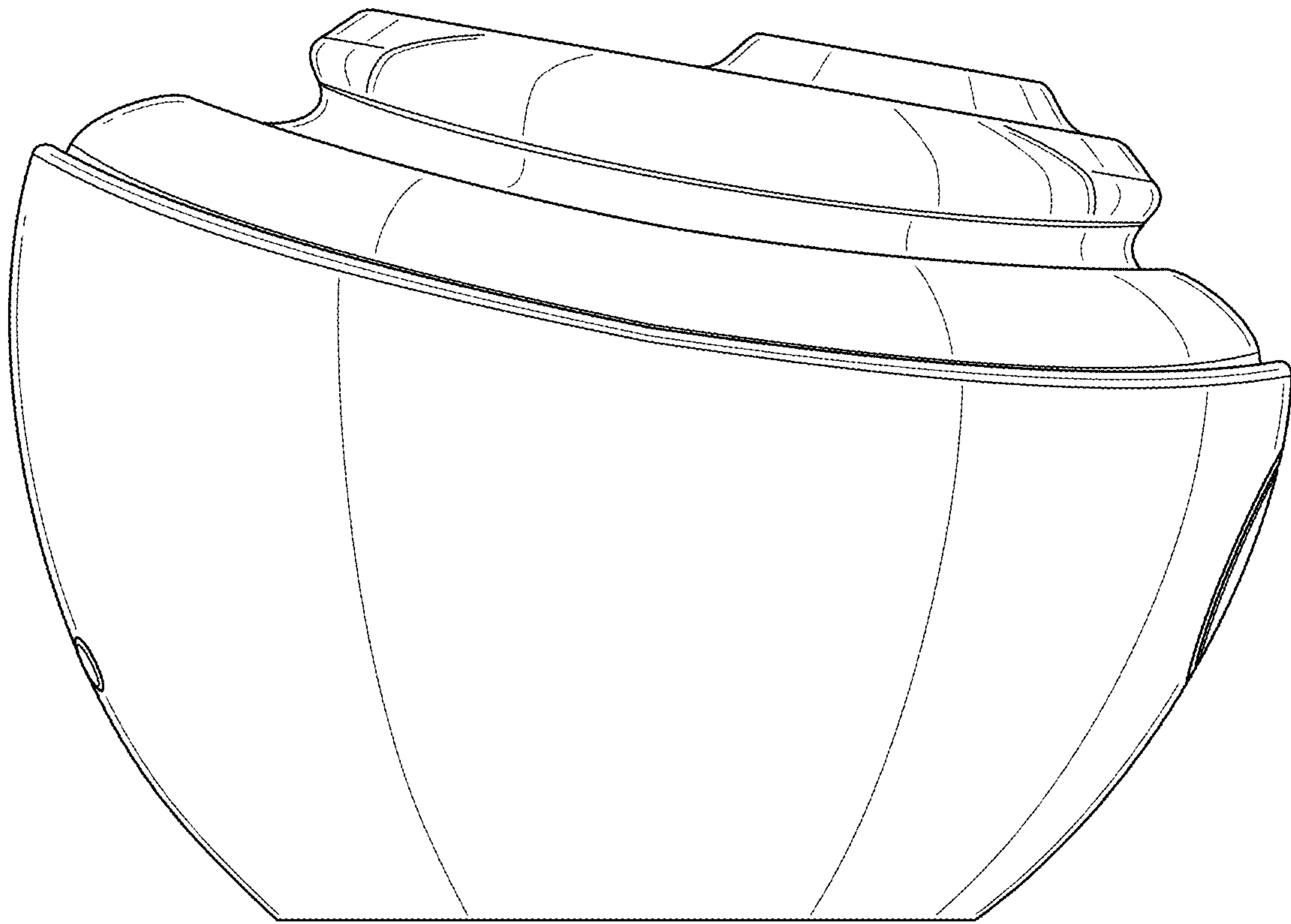


FIG. 5

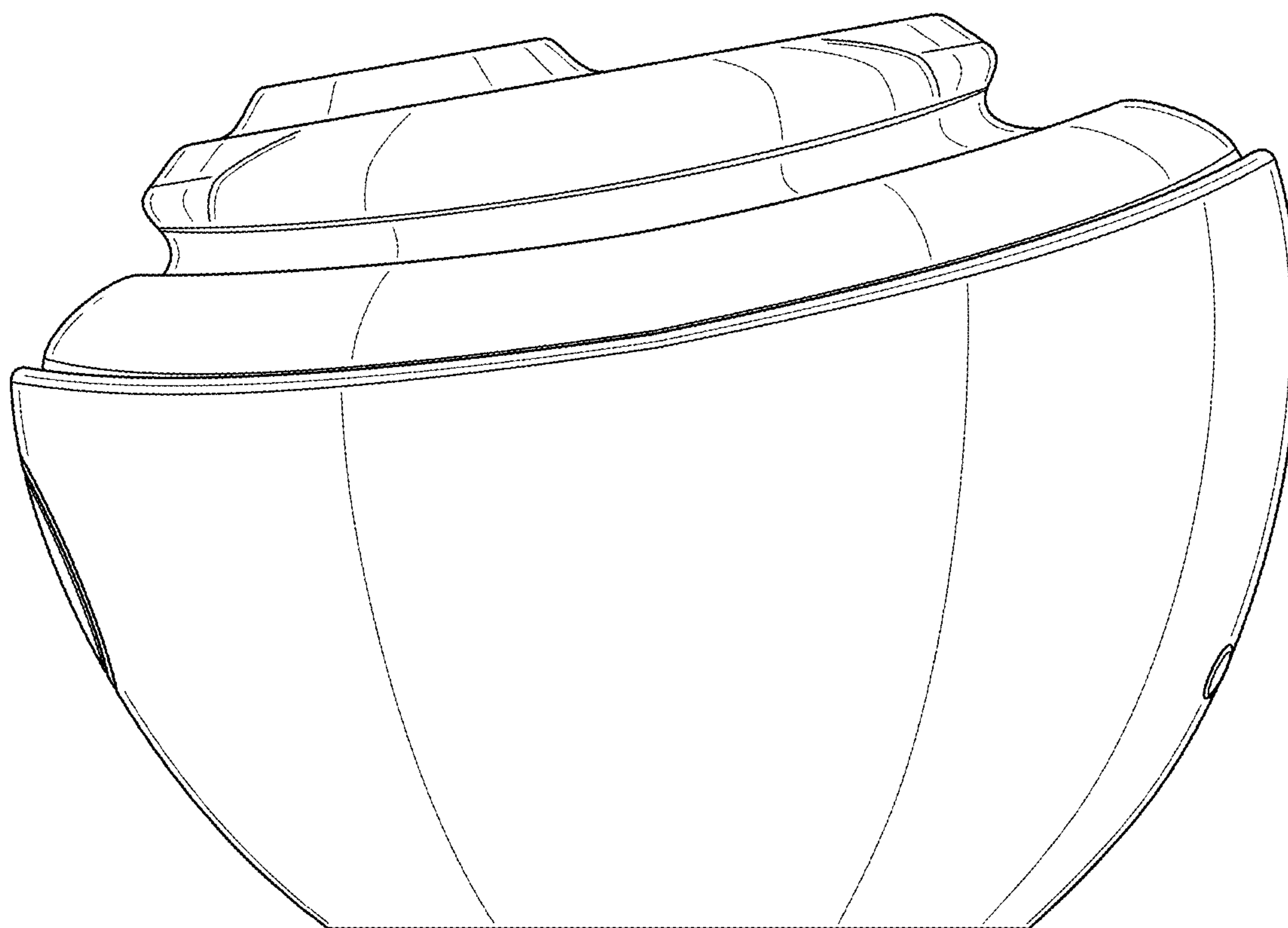


FIG. 6

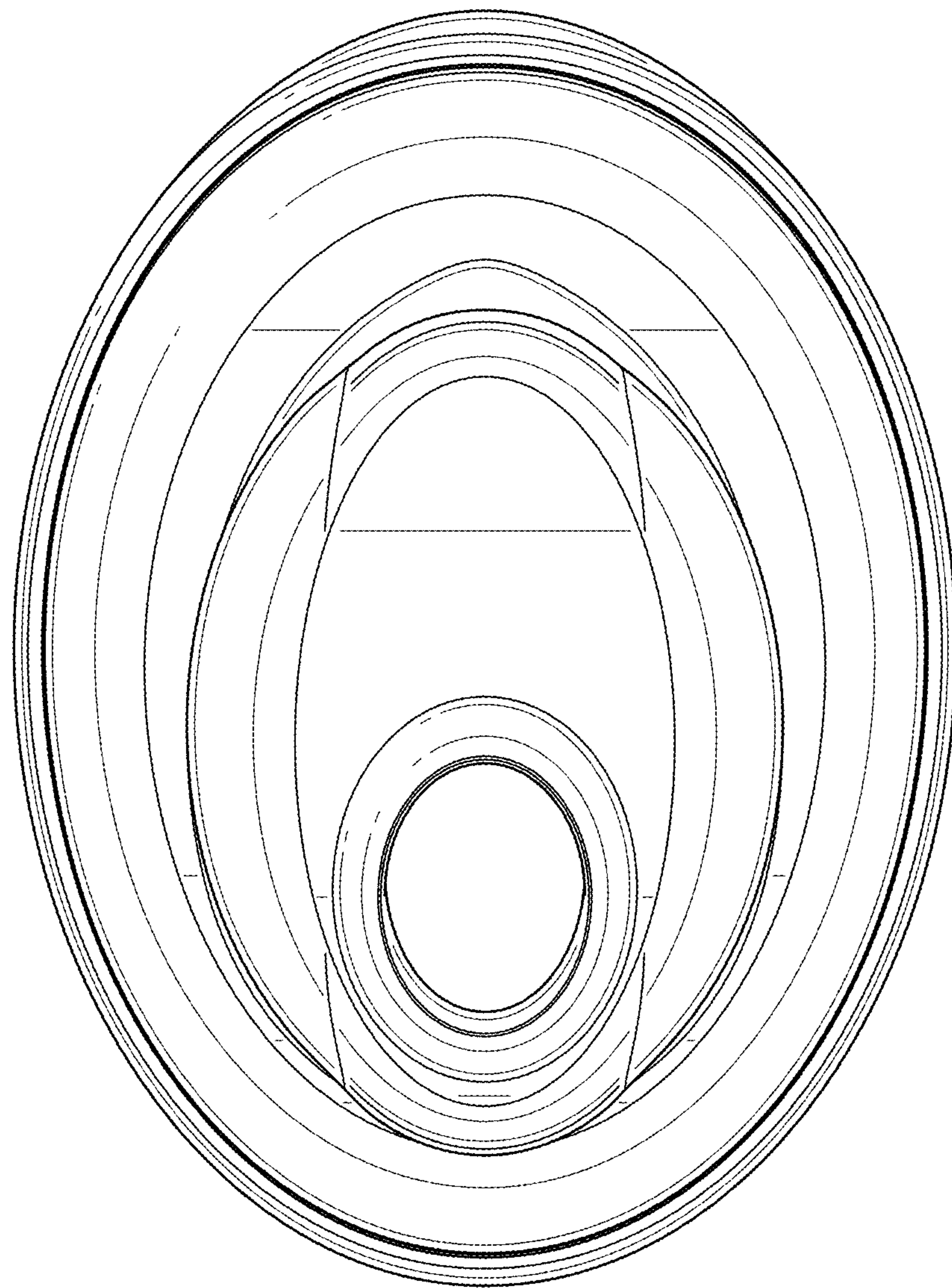


FIG. 7

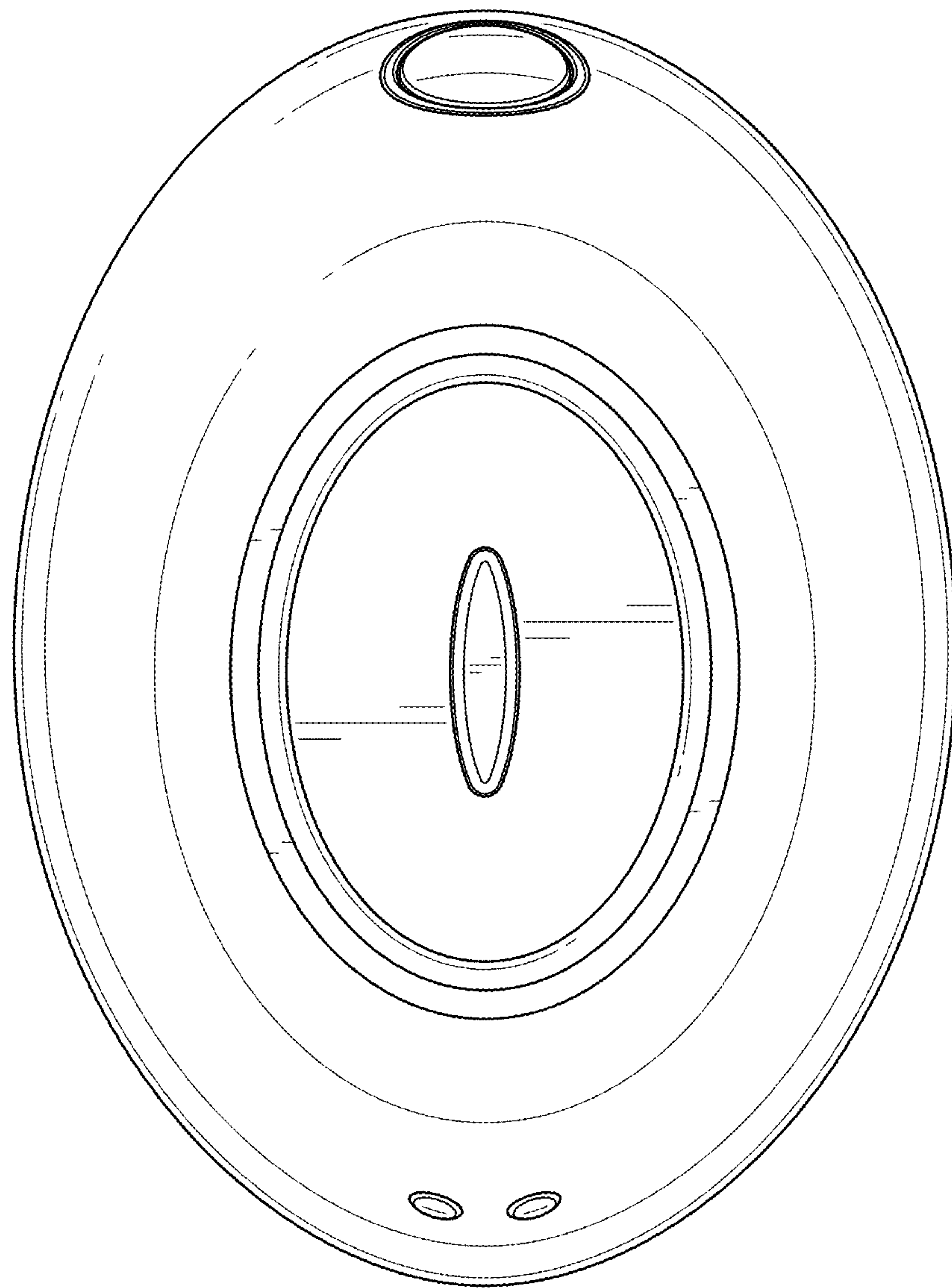


FIG. 8