



US00D956245S

(12) **United States Design Patent**  
**Schill**

(10) **Patent No.:** **US D956,245 S**

(45) **Date of Patent:** **\*\* \*Jun. 28, 2022**

- (54) **TEETHING TUBE**
- (71) Applicant: **BABY TEETHING TUBES L.L.C.**,  
Campbellsport, WI (US)
- (72) Inventor: **Trevor Schill**, Campbellsport, WI (US)
- (73) Assignee: **BABY TEETHING TUBES L.L.C.**,  
Campbellsport, WI (US)
- (\*) Notice: This patent is subject to a terminal disclaimer.
- (\*\*) Term: **15 Years**
- (21) Appl. No.: **29/773,970**
- (22) Filed: **Mar. 12, 2021**

**Related U.S. Application Data**

- (63) Continuation of application No. 29/726,419, filed on Mar. 3, 2020, which is a continuation of application No. 29/616,093, filed on Sep. 1, 2017, now Pat. No. Des. 877,917, which is a continuation of application No. 29/519,675, filed on Mar. 6, 2015, now Pat. No. Des. 797,947.
- (51) **LOC (13) Cl.** ..... **24-04**
- (52) **U.S. Cl.**  
USPC ..... **D24/194**
- (58) **Field of Classification Search**  
USPC ..... D24/193, 194, 195, 208, 214; D30/160; D1/106, 107, 110, 115, 125; D21/483, D21/496, 532, 576, 603, 615, 622, 650  
CPC ..... A61J 17/02; A61J 17/111; A61J 2200/44  
See application file for complete search history.

(56) **References Cited**

**U.S. PATENT DOCUMENTS**

- 2,115,405 A \* 4/1938 Allen ..... A61J 17/02  
606/235
- D264,880 S \* 6/1982 Panicci ..... D21/408

- D336,520 S 6/1993 McDaniel
- D337,827 S 7/1993 Seng
- D343,262 S 1/1994 Axelrod
- D358,111 S 5/1995 Gregory
- D383,307 S 9/1997 Klein et al.
- D417,319 S 11/1999 Weiss, Jr.
- 6,200,283 B1 3/2001 Groen
- 6,863,681 B2 \* 3/2005 Dickerson ..... A61J 7/0053  
606/235
- D522,658 S \* 6/2006 Schiavoni ..... D24/194
- D565,738 S \* 4/2008 Rohrig ..... D24/194
- D584,823 S 1/2009 Conlon
- D584,864 S 1/2009 Matthews

(Continued)

**OTHER PUBLICATIONS**

“Baby Teething Tubes: Soft Silicone Teething Baby Toy”. Found online Sep. 15, 2020 at amazon.com. Reference dated Jun. 28, 2018. Retrieved from [https://www.amazon.com/Baby-Teething-Tubes-Teethers-Toddlers/dp/B01N4OT8CJ/ref=cm\\_cr\\_arp\\_d\\_product\\_top?ie=UTF8](https://www.amazon.com/Baby-Teething-Tubes-Teethers-Toddlers/dp/B01N4OT8CJ/ref=cm_cr_arp_d_product_top?ie=UTF8).\*

(Continued)

*Primary Examiner* — Kendra Leslie Hamilton  
(74) *Attorney, Agent, or Firm* — Foley & Lardner LLP

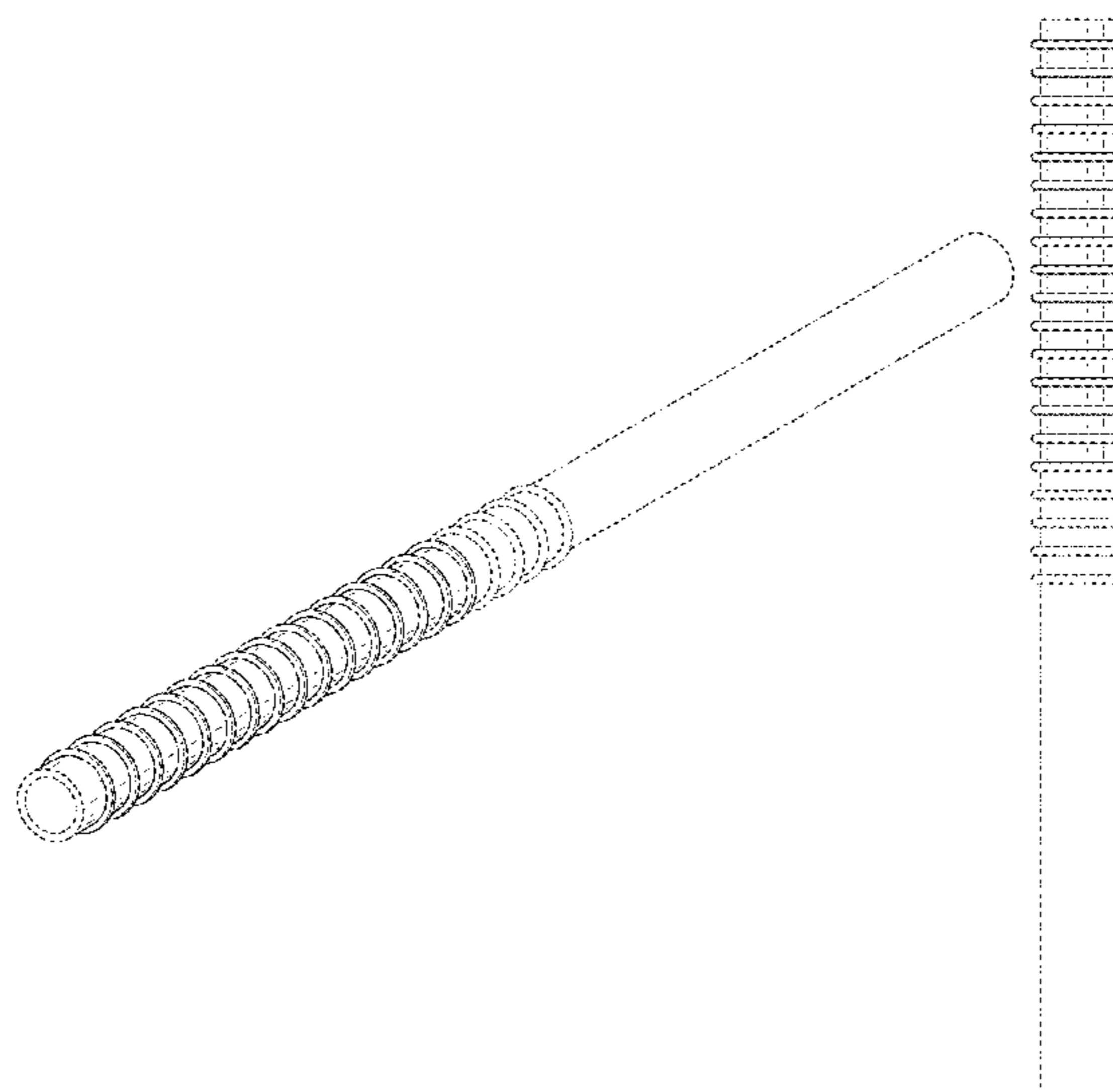
(57) **CLAIM**

I claim the ornamental design for a teething tube, as shown and described.

**DESCRIPTION**

FIG. 1 is a top, front, left perspective view of a teething tube, showing my new design;  
FIG. 2 is a bottom, rear, right perspective view thereof;  
FIG. 3 is at top plan view thereof;  
FIG. 4 is a bottom plan view thereof; and,  
FIG. 5 is a front elevation view thereof, wherein the rear, left, and right, views thereof are identical to the front elevation view.  
The broken lines in the drawings depict portions of the teething tube that form no part of the claimed design.

**1 Claim, 2 Drawing Sheets**



(56)

References Cited

OTHER PUBLICATIONS

U.S. PATENT DOCUMENTS

8,021,391 B2 9/2011 Minoguchi et al.  
 D655,057 S 2/2012 Blair  
 D673,284 S \* 12/2012 Lowsky ..... D24/214  
 D674,494 S 1/2013 Roehrig et al.  
 D677,439 S 3/2013 Renforth  
 D677,441 S 3/2013 Renforth  
 D682,436 S 5/2013 Lowsky  
 D692,569 S 10/2013 Samurin  
 D697,274 S 1/2014 Thorne  
 D712,050 S 8/2014 Blachford et al.  
 D717,016 S 11/2014 Osenga  
 D721,439 S 1/2015 Swartz  
 D722,384 S \* 2/2015 Kuneyl ..... D24/194  
 D724,235 S 3/2015 Kuneyl  
 D733,813 S 7/2015 Schauenburg  
 D742,532 S 11/2015 Parrott Segura  
 9,308,463 B2 4/2016 Bartels  
 D760,964 S 7/2016 Toolan  
 9,463,133 B2 10/2016 Rodgers  
 D797,947 S 9/2017 Schill  
 D837,465 S 1/2019 Steinkraus  
 D841,903 S 2/2019 Toolan  
 D844,909 S \* 4/2019 Crane ..... D30/160  
 10,405,521 B2 9/2019 Ng  
 D861,890 S 10/2019 Lowsky et al.  
 D862,806 S 10/2019 Liu  
 D874,664 S 2/2020 Lowsky et al.  
 D877,917 S 3/2020 Schill  
 10,695,258 B1 6/2020 Johnson  
 D889,067 S 7/2020 Chu  
 D919,900 S \* 5/2021 Jaeger ..... D30/160  
 2004/0215234 A1 10/2004 McCardell  
 2005/0085749 A1 4/2005 Baerwalde et al.  
 2006/0102099 A1 \* 5/2006 Edwards ..... A01K 15/026  
 119/710  
 2009/0069848 A1 \* 3/2009 Marcus ..... A61J 17/02  
 606/235  
 2009/0287247 A1 \* 11/2009 Chipperson ..... A61J 11/00  
 606/235  
 2014/0243895 A1 8/2014 Kellogg

“SinBlue: Hollow Teething Tube”. Found online Apr. 22, 2021 at amazon.co.uk. Reference dated Nov. 10, 2020. Retrieved from [https://www.amazon.co.uk/SINBLUE-Hollow-Teething-Tube-Long/dp/B08N41BMY9/ref=sr\\_1\\_15?](https://www.amazon.co.uk/SINBLUE-Hollow-Teething-Tube-Long/dp/B08N41BMY9/ref=sr_1_15?).\*  
 “Canay: Sensory Chew Stick-X”. Found online May 11, 2021 at amazon.com. Reference dated Jul. 6, 2020. Retrieved from [https://www.amazon.com/Sensory-Chew-Stick-Toys-Girls/dp/B089VVJGRR/ref=cm\\_cr\\_arp\\_d\\_product\\_top?ie=UTF8](https://www.amazon.com/Sensory-Chew-Stick-Toys-Girls/dp/B089VVJGRR/ref=cm_cr_arp_d_product_top?ie=UTF8).  
 “ARK: Tetra-Bite Chewy Fidget (Large)”. Found online May 10, 2021 at instagram.com. Reference dated Nov. 15, 2019. Retrieved from <https://www.instagram.com/p/B458108gr6e/>.  
 “Allnice Chew Necklace”. Found online Sep. 15, 2020 at amazon.com. Reference dated Aug. 6, 2019. Retrieved from [https://www.amazon.com/dp/B07VMDSJ9K/ref=sspa\\_dk\\_detail\\_2?psc=1&pd\\_rd\\_i=B07VMDSJ9K&pd\\_rd\\_w=eixn9&pf\\_rd\\_p=f0355a48-7e73-489a-959](https://www.amazon.com/dp/B07VMDSJ9K/ref=sspa_dk_detail_2?psc=1&pd_rd_i=B07VMDSJ9K&pd_rd_w=eixn9&pf_rd_p=f0355a48-7e73-489a-959).  
 “Chew Noodle Blue”. Found online Nov. 17, 2016 at amazon.com. Page dated Mar. 27, 2012. Retrieved from [https://www.amazon.com/Chewnoodle-Chew-Noodle-Blue/dp/B004IL8MES/ref=cm\\_cr\\_arp\\_d\\_product\\_top?ie=UTF8](https://www.amazon.com/Chewnoodle-Chew-Noodle-Blue/dp/B004IL8MES/ref=cm_cr_arp_d_product_top?ie=UTF8).  
 “Chew Stixx Multi Textured Multi Sensory Chewable Fidget”. Found online Nov. 17, 2016 at sensoryuniversity.com. Page dated Jan. 31, 2010. Retrieved from <https://web.archive.org/web/20100131134640/http://sensoryuniversity.com/product.sc?categoryId=1&productId=405>.  
 “Chubes—Chew Necklace”. Found online Sep. 15, 2020 at amazon.com. Reference dated Feb. 17, 2014. Retrieved from [https://www.amazon.com/Chubes-Necklace-Sensory-Anxiety-Autism/dp/B00IHQP2AM/ref=sr\\_1\\_10?dchild=1&keywords=chewigem&qid=1600206002](https://www.amazon.com/Chubes-Necklace-Sensory-Anxiety-Autism/dp/B00IHQP2AM/ref=sr_1_10?dchild=1&keywords=chewigem&qid=1600206002).  
 “Knobby Texture Chewy Tube Green”. Found online Nov. 17, 2016 at amazon.com. Page dated Oct. 18, 2008. Retrieved from [https://www.amazon.com/Knobby-Texture-Chewy-Tube-Green/dp/B00175ROGU/ref=cm\\_cr\\_arp\\_d\\_product\\_top?ie=UTF8](https://www.amazon.com/Knobby-Texture-Chewy-Tube-Green/dp/B00175ROGU/ref=cm_cr_arp_d_product_top?ie=UTF8).  
 “Teething Products You Can’t Live Without”. Found on line Nov. 2, 2016 at sheknows.com. Page dated May 5, 2014. Retrieved from <http://www.sheknows.com/parenting/articles/1034585/teething-products-for-babies>.  
 Chewnoodle, <http://site.chewnoodle.com/Home.html>, date accessed: Sep. 21, 2015, 1 page.

\* cited by examiner

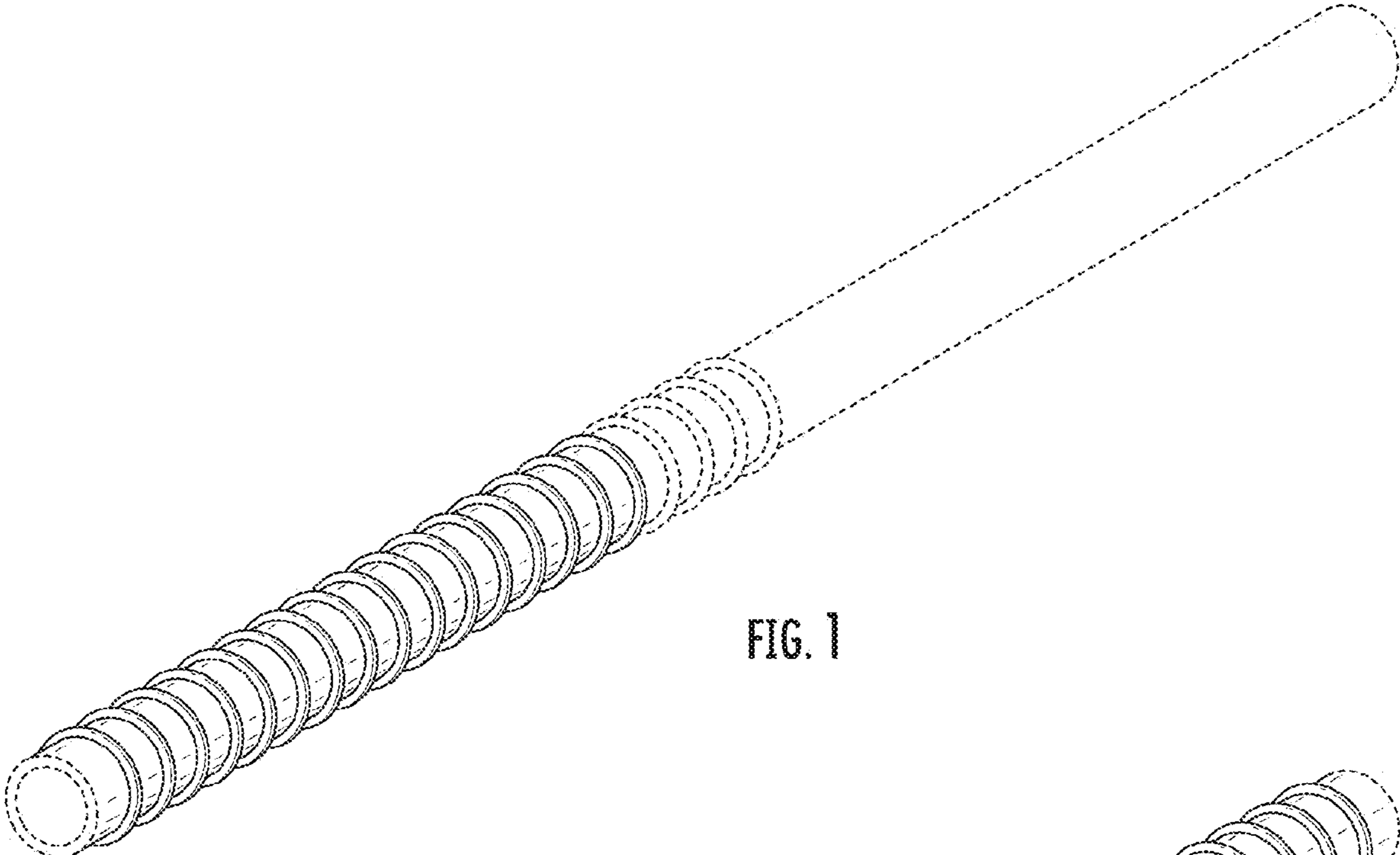


FIG. 1

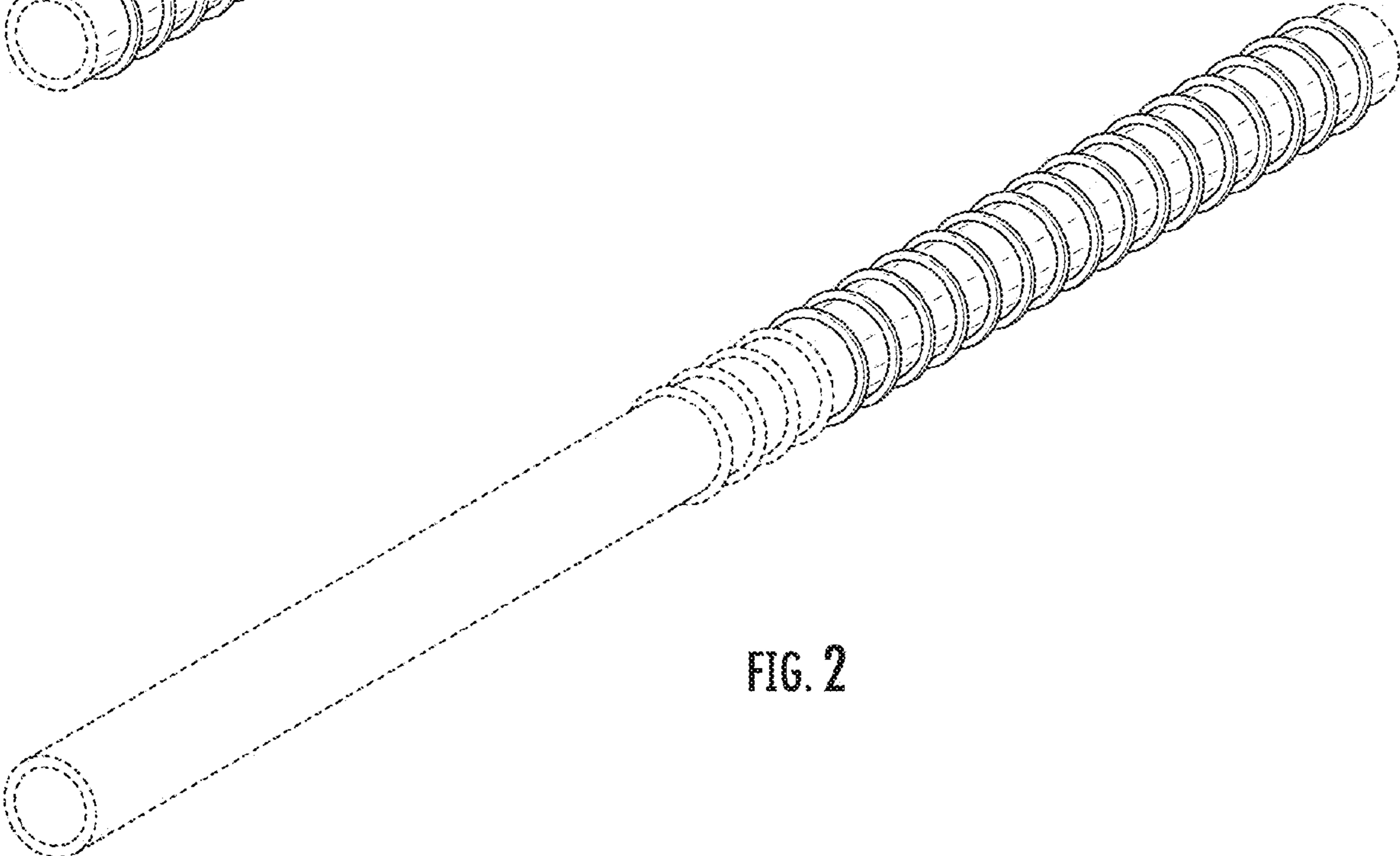


FIG. 2

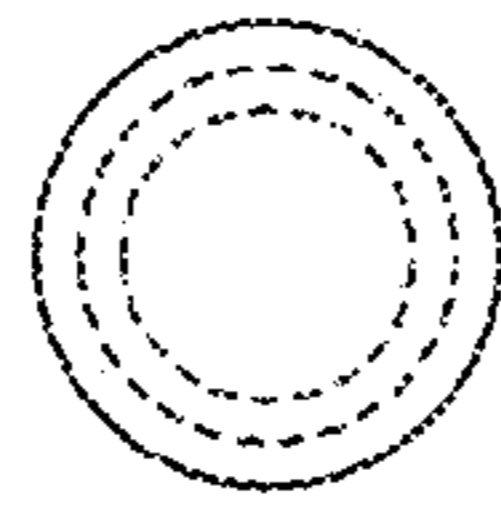


FIG. 3

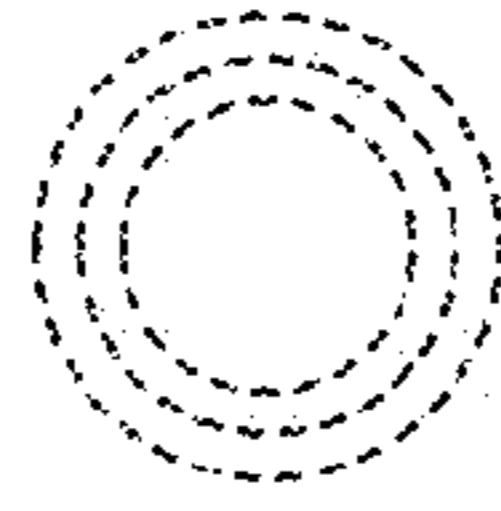


FIG. 4

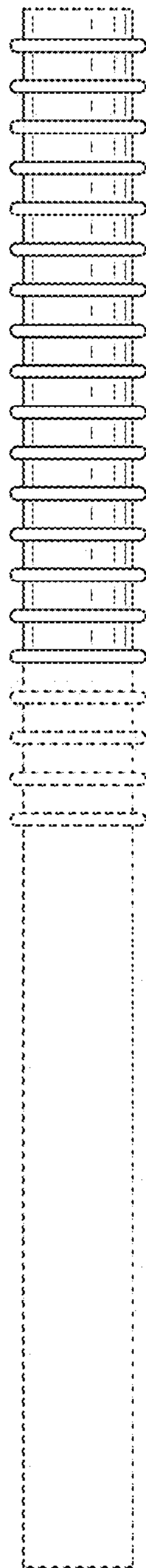


FIG. 5