



US00D956244S

(12) **United States Design Patent**  
**Schill**

(10) **Patent No.:** **US D956,244 S**

(45) **Date of Patent:** **\*\* \*Jun. 28, 2022**

- (54) **TEETHING TUBE**
- (71) Applicant: **BABY TEETHING TUBES L.L.C.**,  
Campbellsport, WI (US)
- (72) Inventor: **Trevor Schill**, Campbellsport, WI (US)
- (73) Assignee: **BABY TEETHING TUBES L.L.C.**,  
Campbellsport, WI (US)
- (\*) Notice: This patent is subject to a terminal disclaimer.
- (\*\*) Term: **15 Years**
- (21) Appl. No.: **29/773,967**
- (22) Filed: **Mar. 12, 2021**

**Related U.S. Application Data**

- (63) Continuation of application No. 29/726,419, filed on Mar. 3, 2020, which is a continuation of application No. 29/616,093, filed on Sep. 1, 2017, now Pat. No. Des. 877,917, which is a continuation of application No. 29/519,675, filed on Mar. 6, 2015, now Pat. No. Des. 797,947.
- (51) **LOC (13) Cl.** ..... **24-04**
- (52) **U.S. Cl.**  
USPC ..... **D24/194**
- (58) **Field of Classification Search**  
USPC ..... D24/193, 194, 195, 208, 214; D30/160;  
D1/106, 107, 110, 115, 125; D21/483,  
D21/496, 532, 576, 603, 615, 622, 650  
CPC ..... A61J 17/02; A61J 17/111; A61J 2200/44  
See application file for complete search history.

(56) **References Cited**

**U.S. PATENT DOCUMENTS**

- 2,115,405 A \* 4/1938 Allen ..... A61J 17/02  
606/235
- D264,880 S \* 6/1982 Panicci ..... D24/194
- D336,520 S 6/1993 McDaniel
- D337,827 S 7/1993 Seng

- D343,262 S 1/1994 Axelrod
- D358,111 S 5/1995 Gregory
- D383,307 S 9/1997 Klein et al.
- D417,319 S 11/1999 Weiss, Jr.
- 6,200,283 B1 3/2001 Groen
- 6,863,681 B2 \* 3/2005 Dickerson ..... A61J 7/0053  
606/235
- D522,658 S \* 6/2006 Schiavoni ..... D24/194
- D565,738 S \* 4/2008 Rohrig ..... D24/194
- D584,823 S \* 1/2009 Conlon ..... D24/194
- D584,864 S 1/2009 Matthews

(Continued)

**OTHER PUBLICATIONS**

“Baby Teething Tubes: Soft Silicone Teething Baby Toy”. Found online Sep. 15, 2020 at amazon.com. Reference dated Jun. 28, 2018. Retrieved from [https://www.amazon.com/Baby-Teething-Tubes-Teethers-Toddlers/dp/B01N4OT8CJ/ref=cm\\_cr\\_arp\\_d\\_product\\_top?ie=UTF8](https://www.amazon.com/Baby-Teething-Tubes-Teethers-Toddlers/dp/B01N4OT8CJ/ref=cm_cr_arp_d_product_top?ie=UTF8).\*

“SinBlue: Hollow Teething Tube”. Found online Apr. 22, 2021 at amazon.co.uk. Reference dated Nov. 10, 2020. Retrieved from [https://www.amazon.co.uk/SINBLUE-Hollow-Teething-Tube-Long/dp/B08N41BMY9/ref=sr\\_1\\_15?](https://www.amazon.co.uk/SINBLUE-Hollow-Teething-Tube-Long/dp/B08N41BMY9/ref=sr_1_15?).\*

(Continued)

*Primary Examiner* — Kendra Leslie Hamilton  
(74) *Attorney, Agent, or Firm* — Foley & Lardner LLP

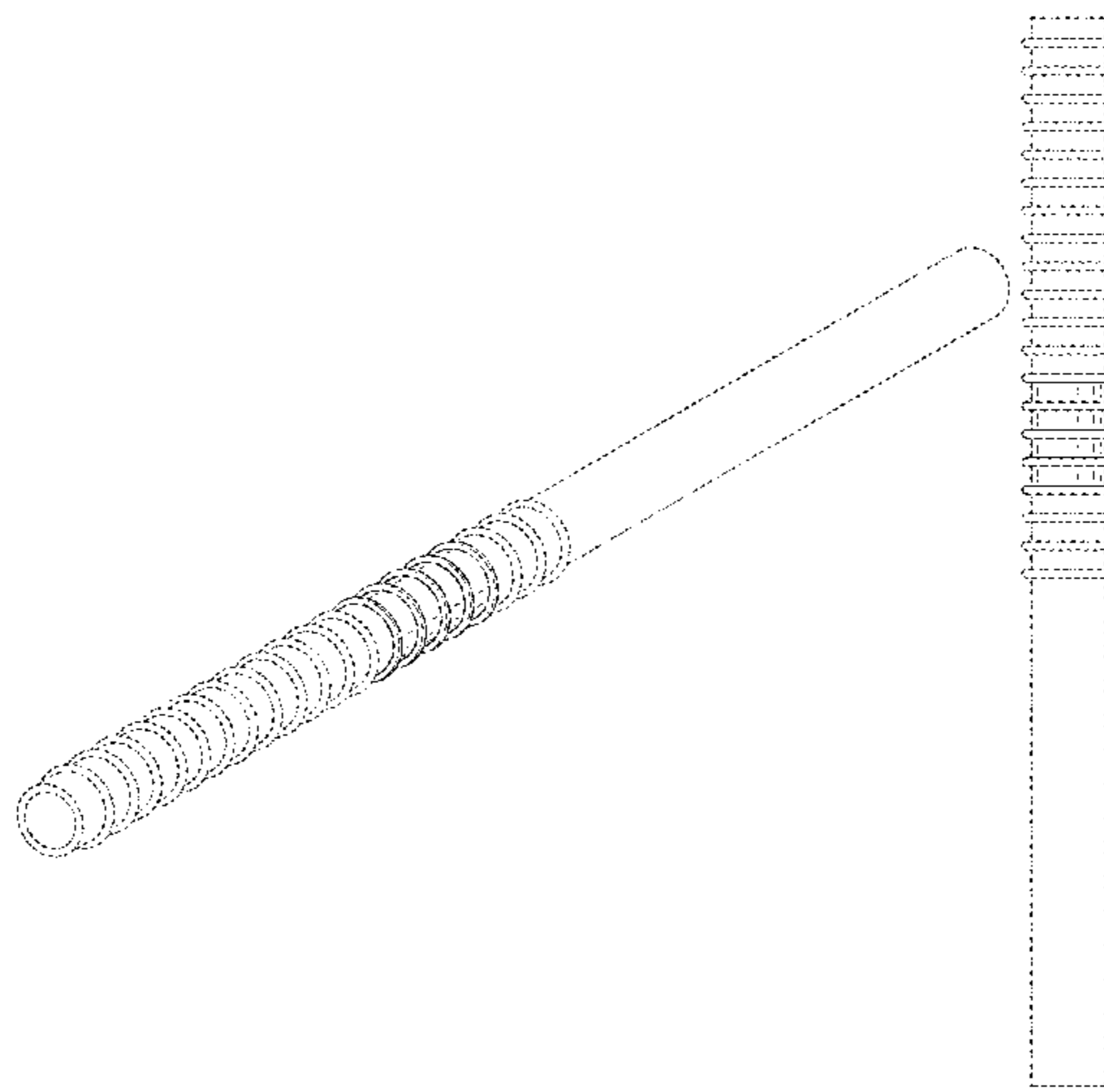
(57) **CLAIM**

I claim the ornamental design for a teething tube, as shown and described.

**DESCRIPTION**

FIG. 1 is a top, front, left perspective view of a teething tube, showing my new design;  
FIG. 2 is a bottom, rear, right perspective view thereof;  
FIG. 3 is at top plan view thereof;  
FIG. 4 is a bottom plan view thereof; and,  
FIG. 5 is a front elevation view thereof, wherein the rear, left, and right views thereof are identical to the front elevation view.  
The broken lines in the drawings depict portions of the teething tube that form no part of the claimed design.

**1 Claim, 2 Drawing Sheets**



(56)

References Cited

U.S. PATENT DOCUMENTS

8,021,391	B2	9/2011	Minoguchi et al.	
D655,057	S	2/2012	Blair	
D673,284	S *	12/2012	Lowsky .....	D24/214
D674,494	S	1/2013	Roehrig et al.	
D677,439	S	3/2013	Renforth	
D677,441	S	3/2013	Renforth	
D682,436	S	5/2013	Lowsky	
D692,569	S	10/2013	Samurin	
D697,274	S	1/2014	Thorne	
D712,050	S	8/2014	Blachford et al.	
D717,016	S	11/2014	Osenga	
D721,439	S	1/2015	Swartz	
D722,384	S *	2/2015	Kuneyl .....	D24/194
D724,235	S	3/2015	Kuneyl	
D733,813	S	7/2015	Schauenburg	
D742,532	S	11/2015	Parrott Segura	
9,308,463	B2	4/2016	Bartels	
D760,964	S	7/2016	Toolan	
9,463,133	B2	10/2016	Rodgers	
D797,947	S	9/2017	Schill	
D837,465	S	1/2019	Steinkraus	
D841,903	S	2/2019	Toolan	
D844,909	S *	4/2019	Crane .....	D30/160
10,405,521	B2	9/2019	Ng	
D861,890	S	10/2019	Lowsky et al.	
D862,806	S	10/2019	Liu	
D874,664	S	2/2020	Lowsky et al.	
D877,917	S	3/2020	Schill	
10,695,258	B1	6/2020	Johnson	
D889,067	S	7/2020	Chu	
D919,900	S *	5/2021	Jaeger .....	D30/160
2004/0215234	A1	10/2004	McCardell	
2005/0085749	A1	4/2005	Baerwalde et al.	
2006/0102099	A1 *	5/2006	Edwards .....	A01K 15/026 119/710
2009/0069848	A1 *	3/2009	Marcus .....	A61J 17/02 606/235
2009/0287247	A1 *	11/2009	Chipperson .....	A61J 11/00 606/235
2014/0243895	A1	8/2014	Kellogg	

OTHER PUBLICATIONS

“Canay: Sensory Chew Stick—X”. Found online May 11, 2021 at amazon.com. Reference dated Jul. 6, 2020. Retrieved from [https://www.amazon.com/Sensory-Chew-Stick-Toys-Girls/dp/B089VVJGRR/ref=cm\\_cr\\_arp\\_d\\_product\\_top?ie=UTF8](https://www.amazon.com/Sensory-Chew-Stick-Toys-Girls/dp/B089VVJGRR/ref=cm_cr_arp_d_product_top?ie=UTF8).\*

“ARK: Tetra-Bite Chewy Fidget (Large)”. Found online May 10, 2021 at instagram.com. Reference dated Nov. 15, 2019. Retrieved from <https://www.instagram.com/p/B458108gr6e/>.\*

“Allnice Chew Necklace”. Found online Sep. 15, 2020 at amazon.com. Reference dated Aug. 6, 2019. Retrieved from [https://www.amazon.com/dp/B07VMDSJ9K/ref=sspa\\_dk\\_detail\\_2?psc=1&pd\\_rd\\_i=B07VMDSJ9K&pd\\_rd\\_w=eixn9&pf\\_rd\\_p=f0355a48-7e73-489a-959](https://www.amazon.com/dp/B07VMDSJ9K/ref=sspa_dk_detail_2?psc=1&pd_rd_i=B07VMDSJ9K&pd_rd_w=eixn9&pf_rd_p=f0355a48-7e73-489a-959).

“Chew Noodle Blue”. Found online Nov. 17, 2016 at amazon.com. Page dated Mar. 27, 2012. Retrieved from [https://www.amazon.com/Chewnoodle-Chew-Noodle-Blue/dp/B004IL8MES/ref=cm\\_cr\\_arp\\_d\\_product\\_top?ie=UTF8](https://www.amazon.com/Chewnoodle-Chew-Noodle-Blue/dp/B004IL8MES/ref=cm_cr_arp_d_product_top?ie=UTF8).

“Chew Stixx Multi Textured Multi Sensory Chewable Fidget”. Found online Nov. 17, 2016 at sensoryuniversity.com. Page dated Jan. 31, 2010. Retrieved from <https://web.archive.org/web/20100131134640/http://sensoryuniversity.com/product.sc?categoryId=1&productId=405>.

“Chubes—Chew Necklace”. Found online Sep. 15, 2020 at amazon.com. Reference dated Feb. 17, 2014. Retrieved from [https://www.amazon.com/Chubes-Necklace-Sensory-Anxiety-Autism/dp/B00IHQP2AM/ref=sr\\_1\\_10?dchild=1&keywords=chewigem&qid=1600206002](https://www.amazon.com/Chubes-Necklace-Sensory-Anxiety-Autism/dp/B00IHQP2AM/ref=sr_1_10?dchild=1&keywords=chewigem&qid=1600206002).

“Knobby Texture Chewy Tube Green”. Found online Nov. 17, 2016 at amazon.com. Page dated Oct. 18, 2008. Retrieved from [https://www.amazon.com/Knobby-Texture-Chewy-Tube-Green/dp/B00175ROGU/ref=cm\\_cr\\_arp\\_d\\_product\\_top?ie=UTF8](https://www.amazon.com/Knobby-Texture-Chewy-Tube-Green/dp/B00175ROGU/ref=cm_cr_arp_d_product_top?ie=UTF8).

“Teething Products You Can’t Live Without”. Found on line Nov. 2, 2016 at sheknows.com. Page dated May 5, 2014. Retrieved from <http://www.sheknows.com/parenting/articles/1034585/teething-products-for-babies>.

Chewnoodle, <http://site.chewnoodle.com/Home.html>, date accessed: Sep. 21, 2015, 1 page.

\* cited by examiner

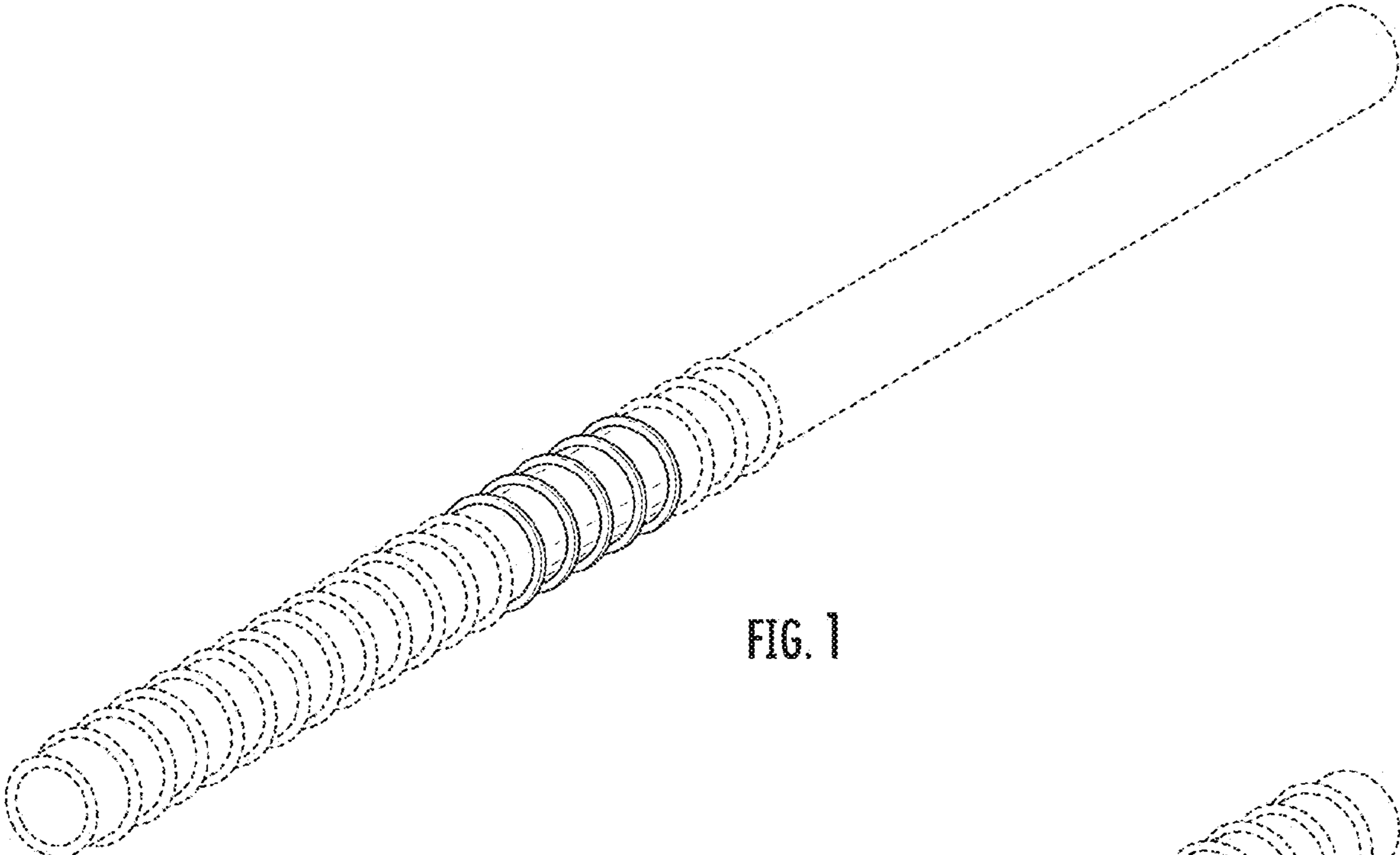


FIG. 1

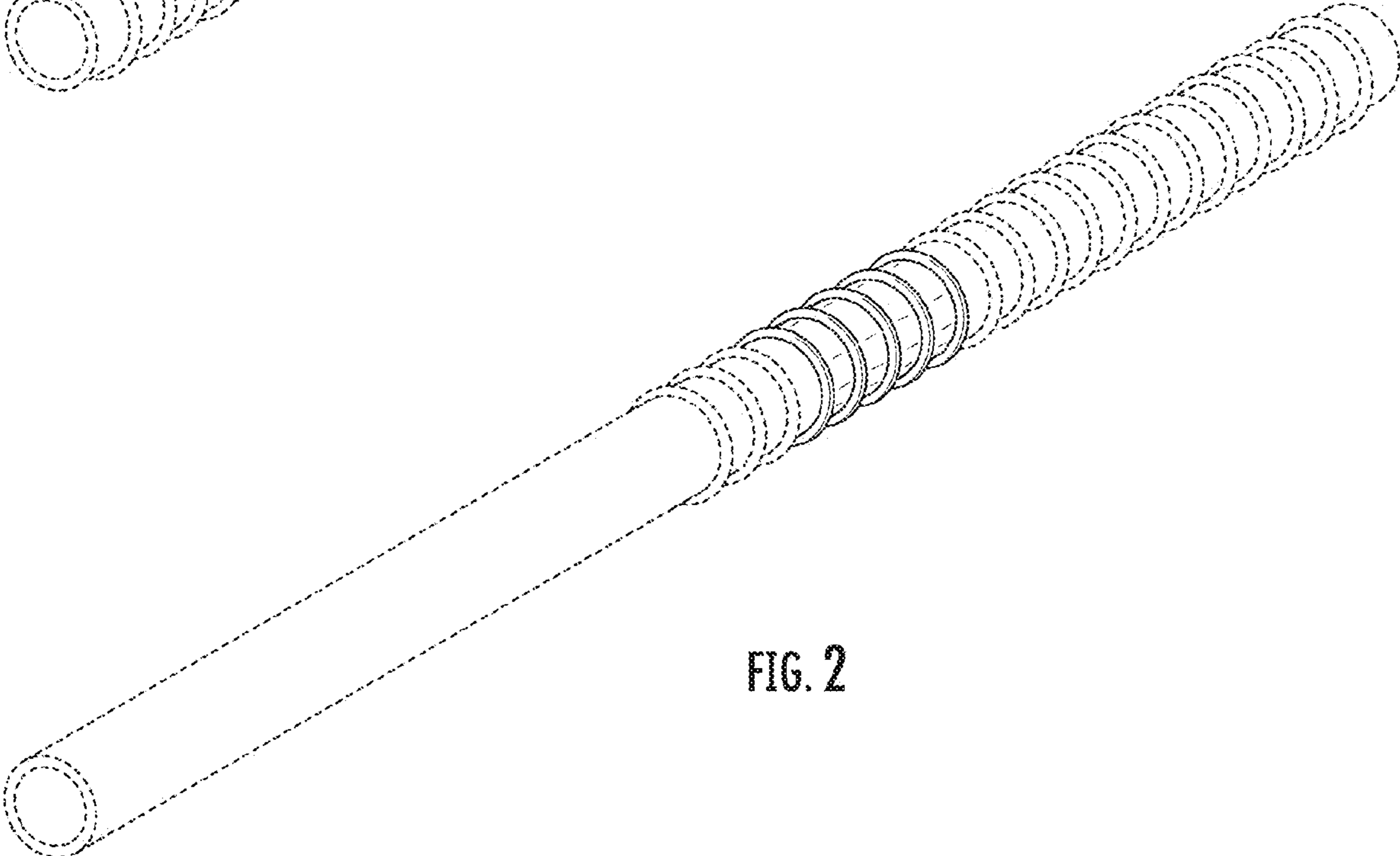


FIG. 2

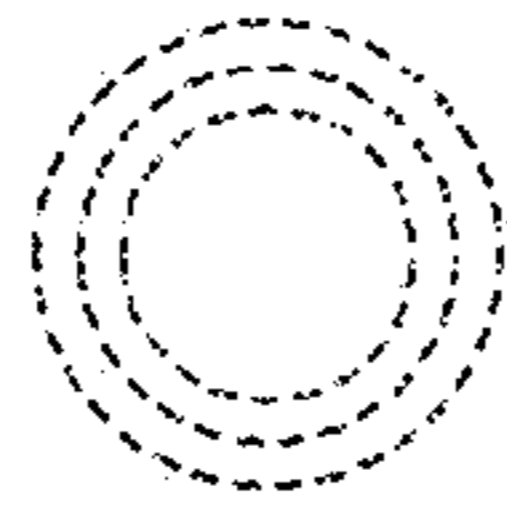


FIG. 3

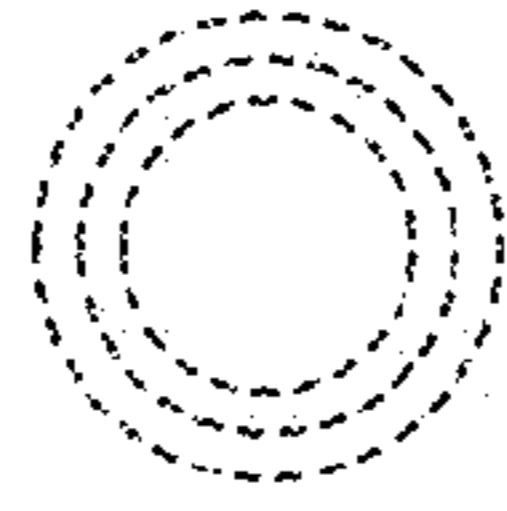


FIG. 4

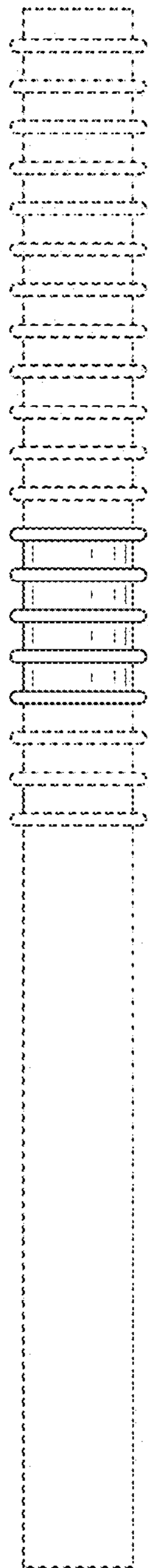


FIG. 5