



US00D956243S

(12) **United States Design Patent**
Hood

(10) **Patent No.:** **US D956,243 S**
(45) **Date of Patent:** **** Jun. 28, 2022**

(54) **PHYSIOTHERAPY SUPPORT DEVICE**

(74) *Attorney, Agent, or Firm* — Clark & Elbing LLP

(71) Applicant: **Ucentrik Inc.**, Mississauga (CA)

(57) **CLAIM**

The ornamental design for a physiotherapy support device, as shown and described.

(72) Inventor: **Greg Hood**, Mississauga (CA)

(73) Assignee: **Ucentrik Inc.**, Mississauga (CA)

DESCRIPTION

(**) Term: **15 Years**

FIG. 1 is a rear and left side perspective view of a first embodiment of a physiotherapy support device showing my new design.

(21) Appl. No.: **29/721,967**

FIG. 2 is a rear view of the physiotherapy support device of FIG. 1.

(22) Filed: **Jan. 24, 2020**

FIG. 3 is a front view of the physiotherapy support device of FIG. 1.

(51) **LOC (13) Cl.** **24-02**

FIG. 4 is a top view of the physiotherapy support device of FIG. 1.

(52) **U.S. Cl.**

USPC **D24/188**

FIG. 5 is a bottom view of the physiotherapy support device of FIG. 1.

(58) **Field of Classification Search**

USPC D24/171, 183, 184, 188, 190, 191, 192, D24/200, 211, 215; D8/349, 354; D21/823; D30/153

FIG. 6 is a left side view of the physiotherapy support device of FIG. 1.

CPC A61F 7/02; A61F 5/3769

See application file for complete search history.

FIG. 7 is a right side view of the physiotherapy support device of FIG. 1.

(56) **References Cited**

U.S. PATENT DOCUMENTS

3,462,195	A *	8/1969	Allen	A63G 9/02
					297/452.1
D244,748	S *	6/1977	Canterbury	D8/380
D259,582	S *	6/1981	Aquarian	D21/823
D302,304	S *	7/1989	Kulle	D24/129
D347,533	S *	6/1994	Lambert	D24/190
D406,964	S *	3/1999	Lewis	D6/690

(Continued)

OTHER PUBLICATIONS

Maxx U-Shape Bracket (hdg). Online, published date unknown. Retrieved on Dec. 12, 2021 from URL: <https://www.walraven.com/int/products/maxx-u-shape-bracket-hdg/>.*

(Continued)

FIG. 8 is a front and right side perspective view of a second embodiment of a physiotherapy support device showing my new design.

FIG. 9 is a rear view of the physiotherapy support device of FIG. 8.

FIG. 10 is a front view of the physiotherapy support device of FIG. 8.

FIG. 11 is a left side view of the physiotherapy support device of FIG. 8.

FIG. 12 is a right side view of the physiotherapy support device of FIG. 8.

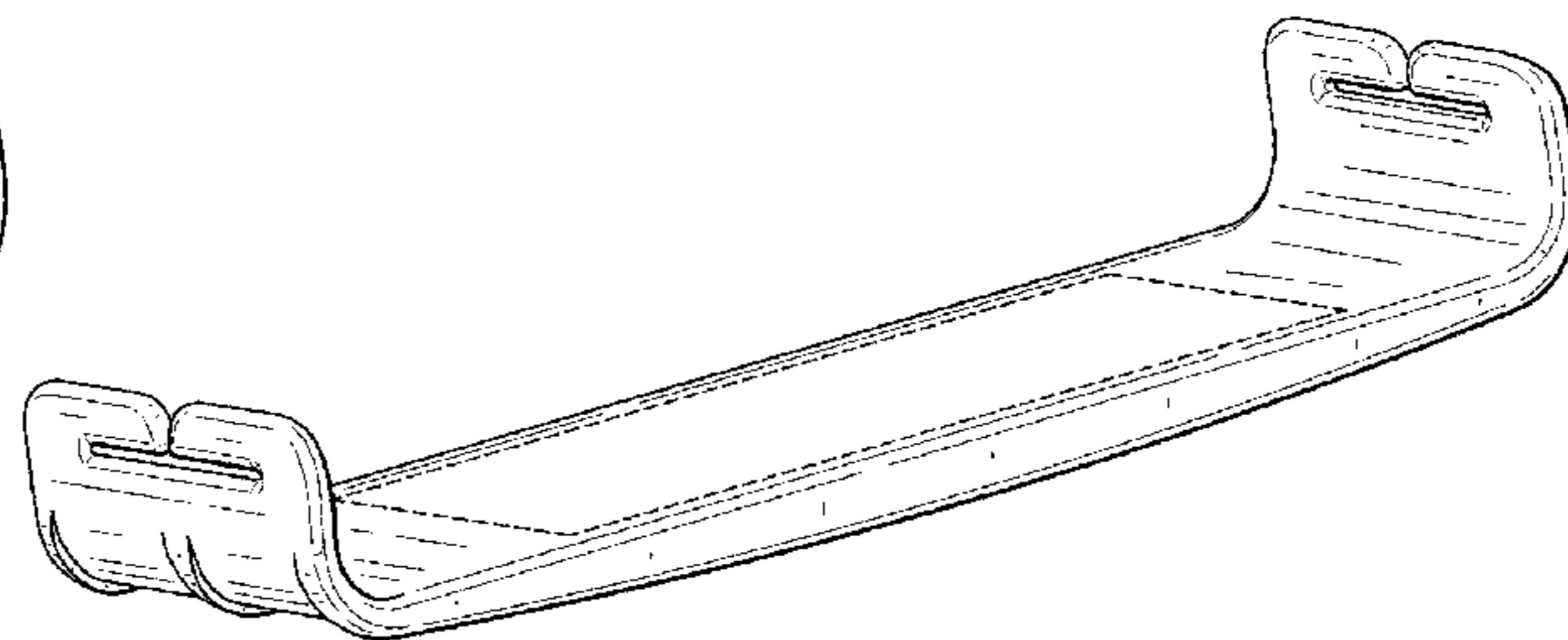
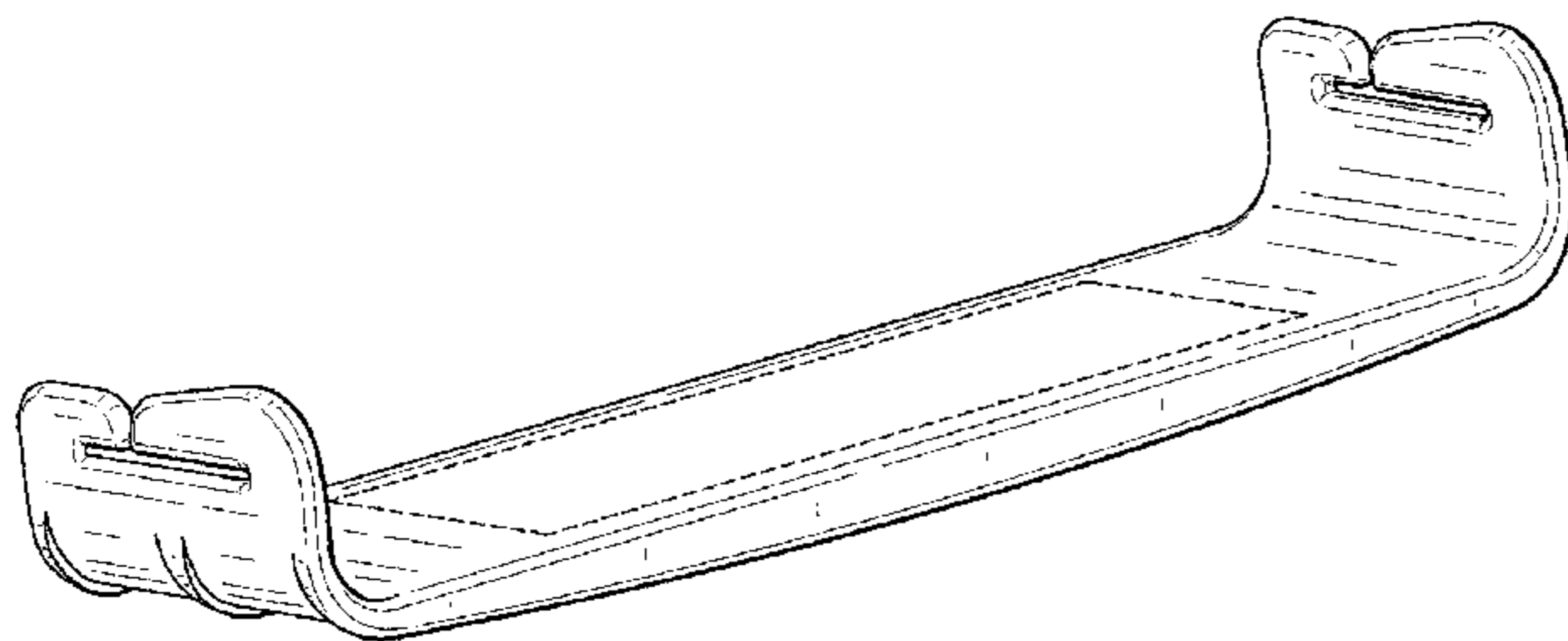
FIG. 13 is a top view of the physiotherapy support device of FIG. 8; and,

FIG. 14 is a bottom view of the physiotherapy support device of FIG. 8.

The broken lines in the drawings depict portions of the physiotherapy support device that form no part of the claimed design.

Primary Examiner — Omeed Agilee

1 Claim, 8 Drawing Sheets



(56)

References Cited

U.S. PATENT DOCUMENTS

D410,722	S	*	6/1999	Davignon, II	D21/823
D485,361	S	*	1/2004	Urban	D24/190
D494,045	S	*	8/2004	Van Essen	D8/366
D520,591	S	*	5/2006	Popp	D21/823
D596,311	S	*	7/2009	Antons	D24/227
D654,350	S	*	2/2012	Preda	D8/354
D721,816	S	*	1/2015	Kelley	D24/192
D732,373	S	*	6/2015	Wagner	D8/349
D781,086	S	*	3/2017	Velez	D6/691
D838,857	S	*	1/2019	Blackwell	D24/184
D863,486	S	*	10/2019	Blackwood	D21/823
D883,073	S	*	5/2020	Jaramillo	D8/354
D885,868	S	*	6/2020	Hilmerson	D8/354
D891,229	S	*	7/2020	Hohmann, Jr.	D8/354
D896,335	S	*	9/2020	Mayer	D21/823
D904,171	S	*	12/2020	Ochi	D8/354
D906,095	S	*	12/2020	DeDios-Shirley	D8/354
D911,533	S	*	2/2021	Zhen	D24/191
D912,829	S	*	3/2021	Hood	D24/183
2020/0323676	A1	*	10/2020	Lee	A61F 5/3715

OTHER PUBLICATIONS

The Walker Sling Foot Rest (pp). www.goldenyearsaccessories.com. Retrieved on Sep. 21, 2020 (6 pages).

* cited by examiner

FIG. 1

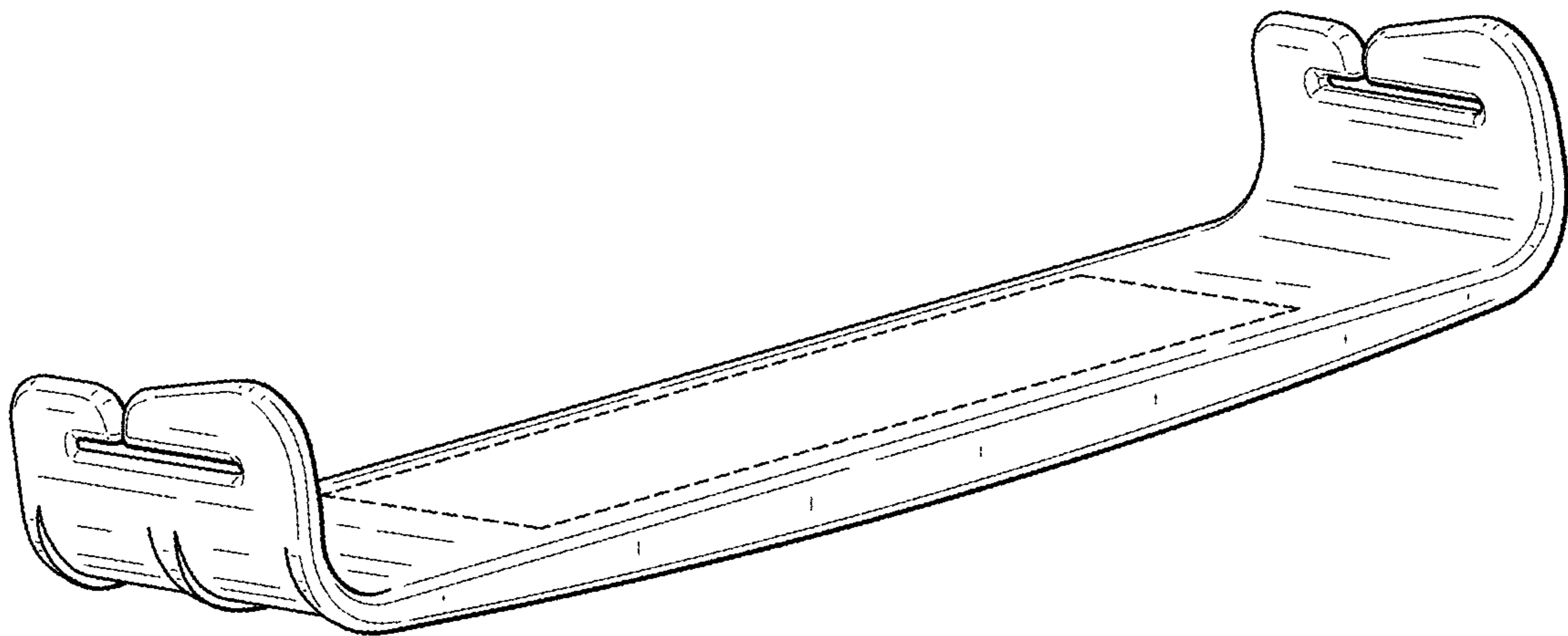


FIG. 2

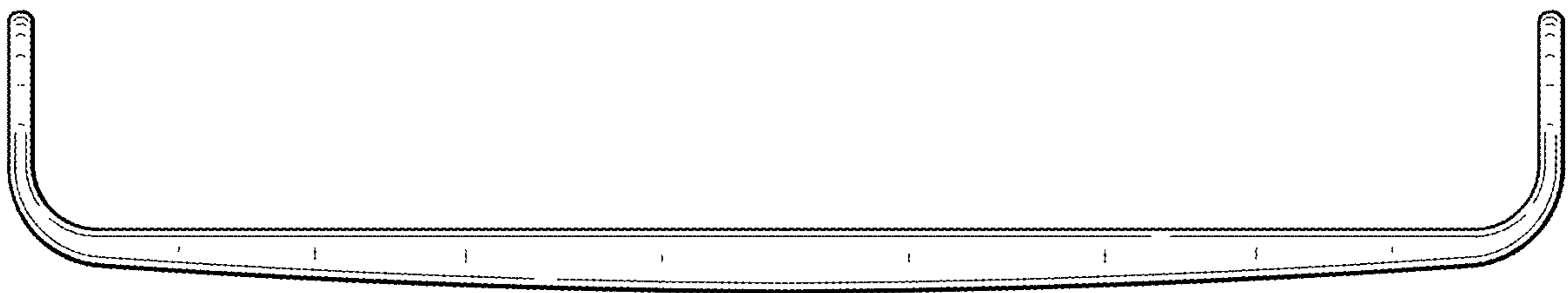


FIG. 3

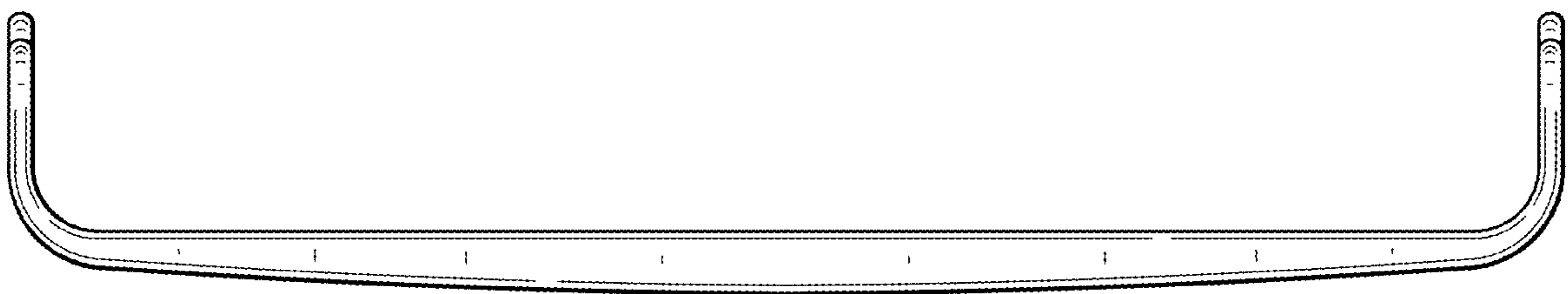


FIG. 4

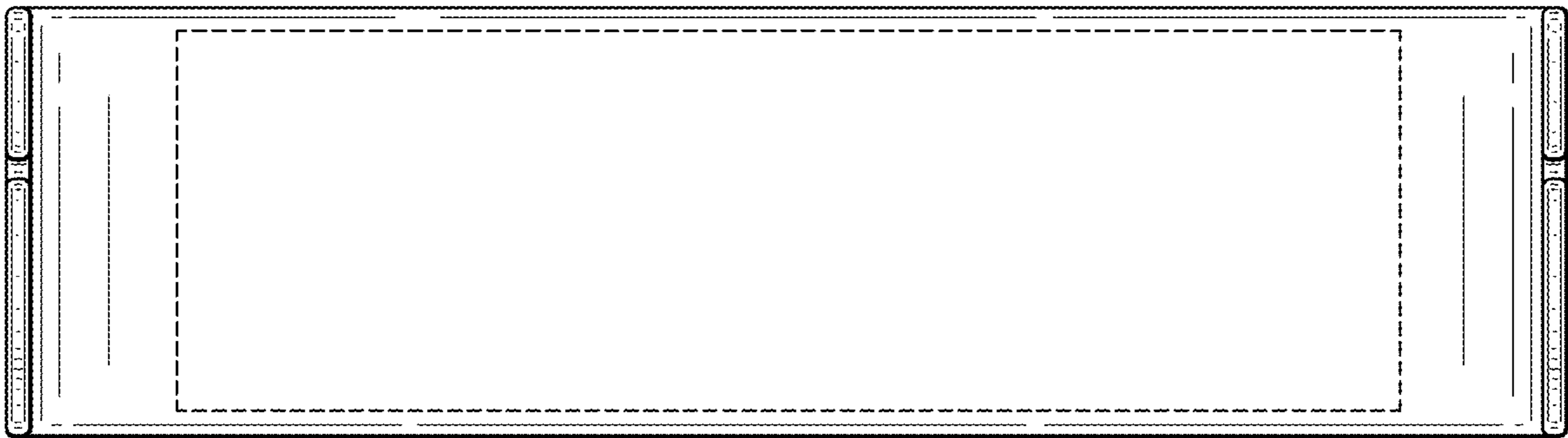


FIG. 5

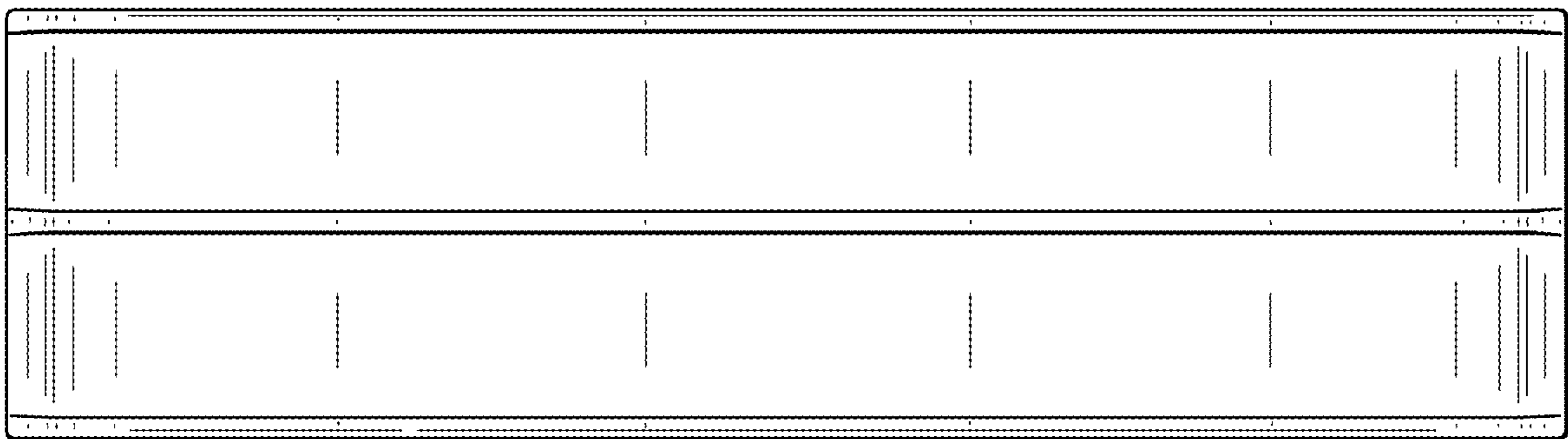


FIG. 6

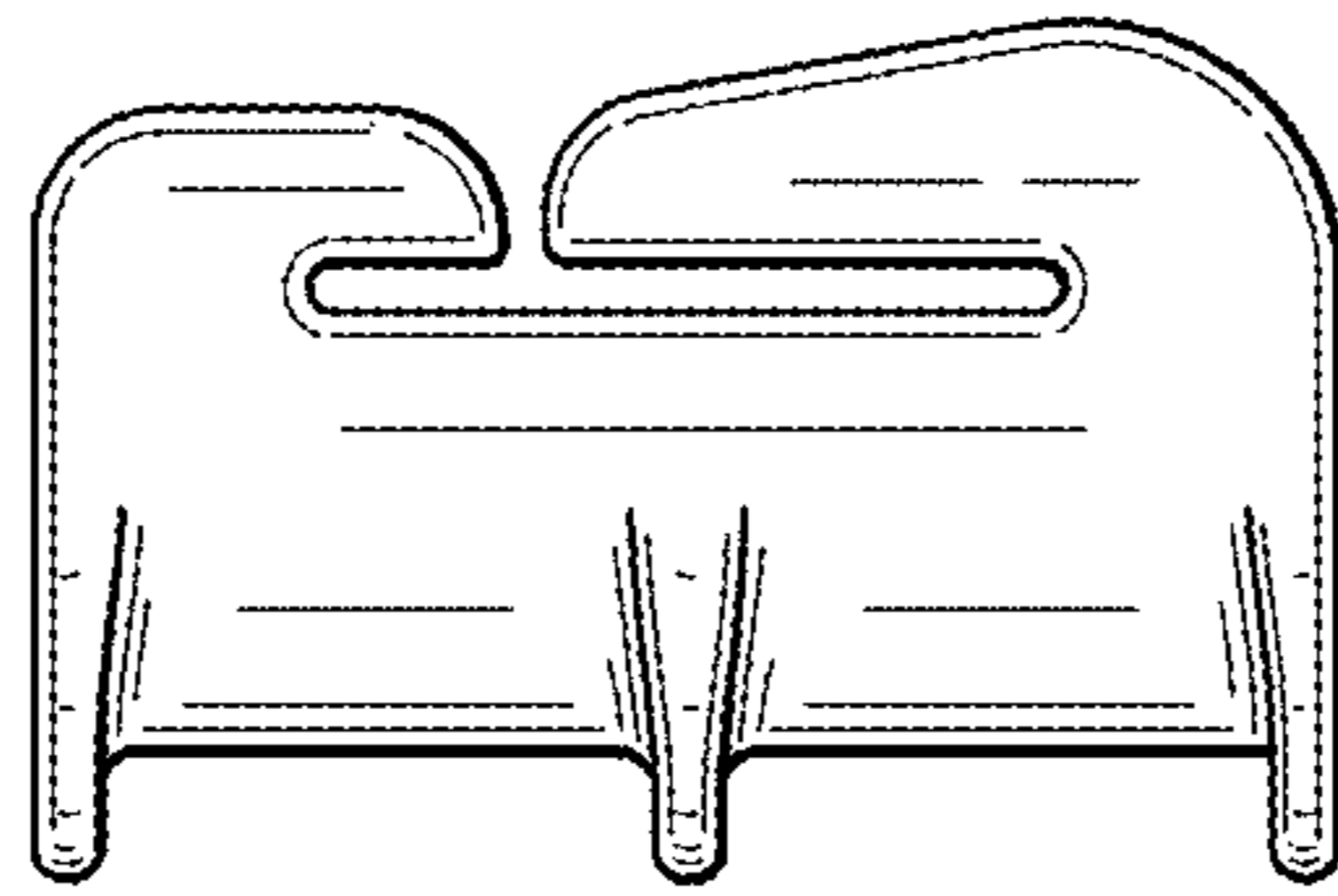


FIG. 7

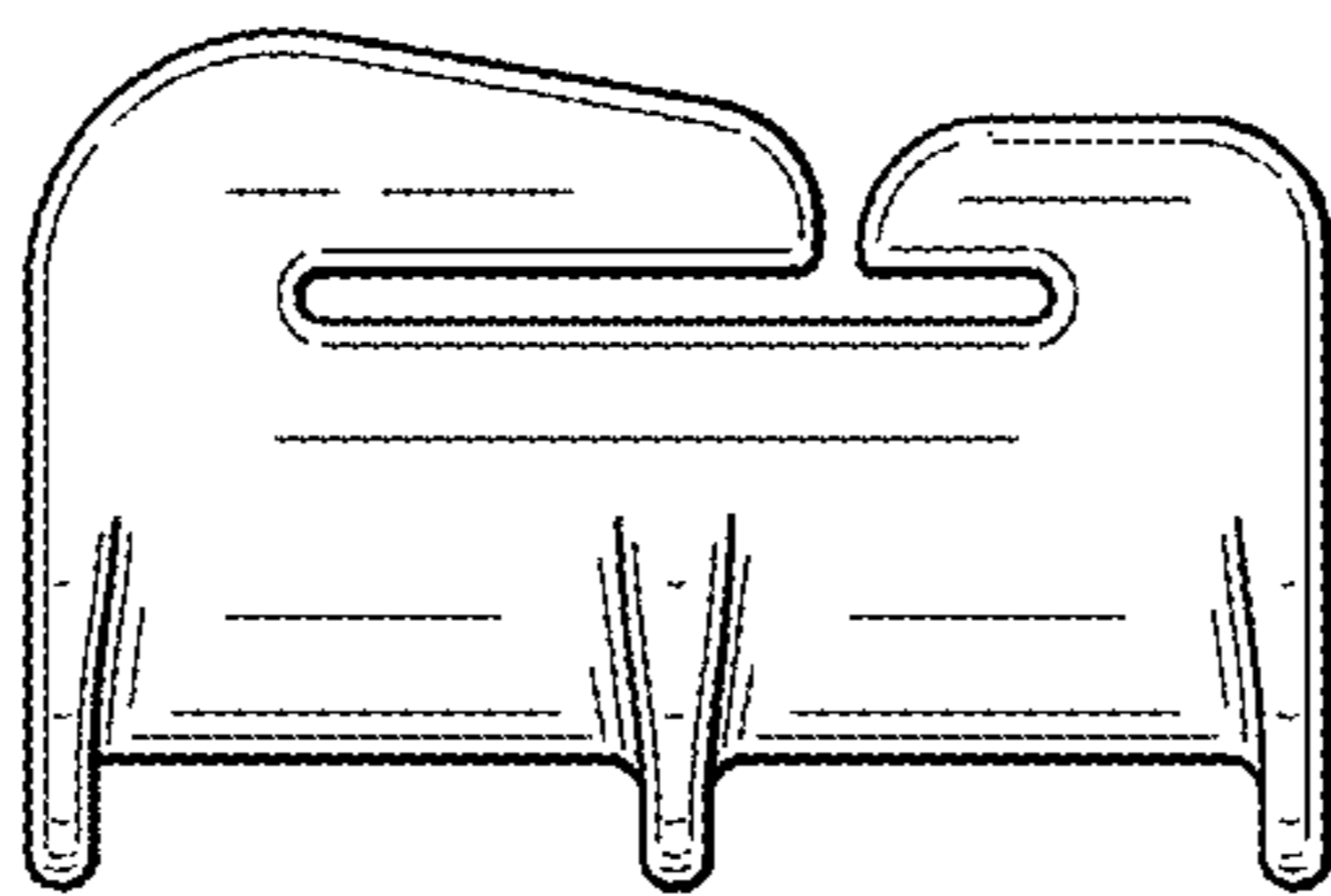


FIG. 8

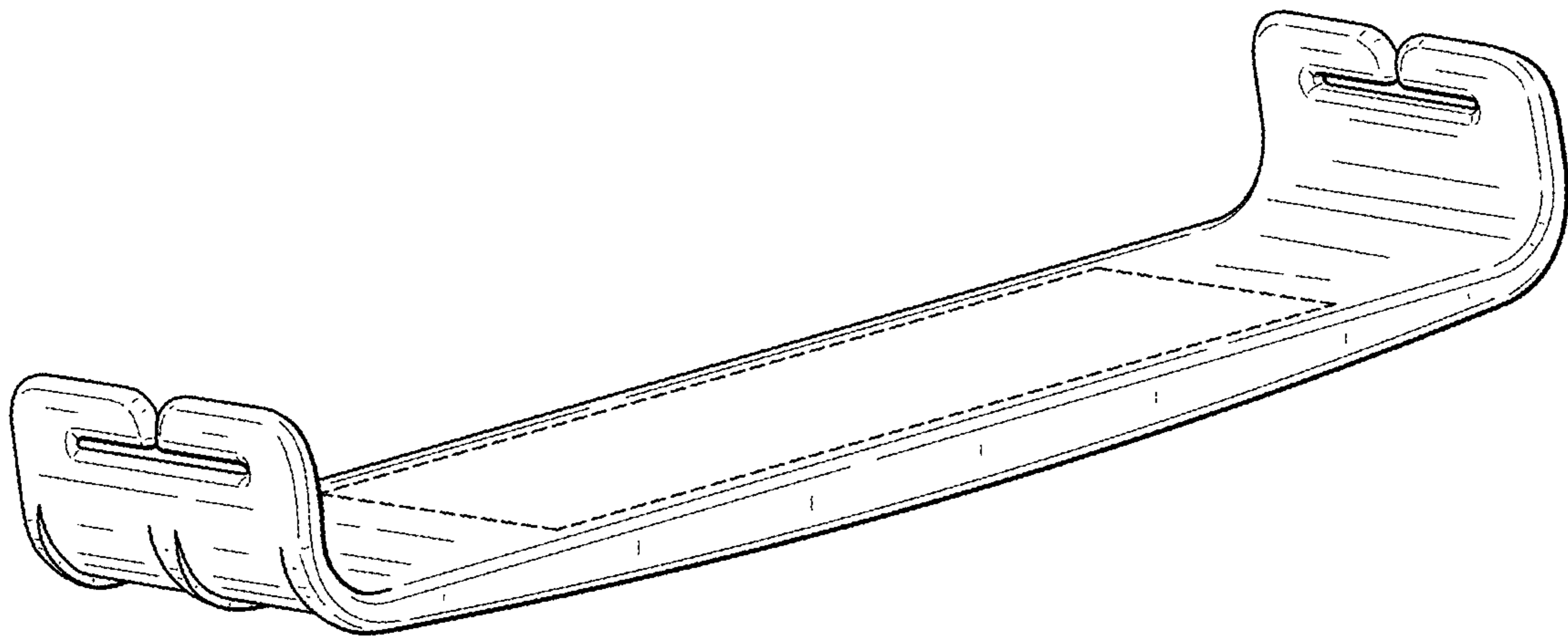


FIG. 9

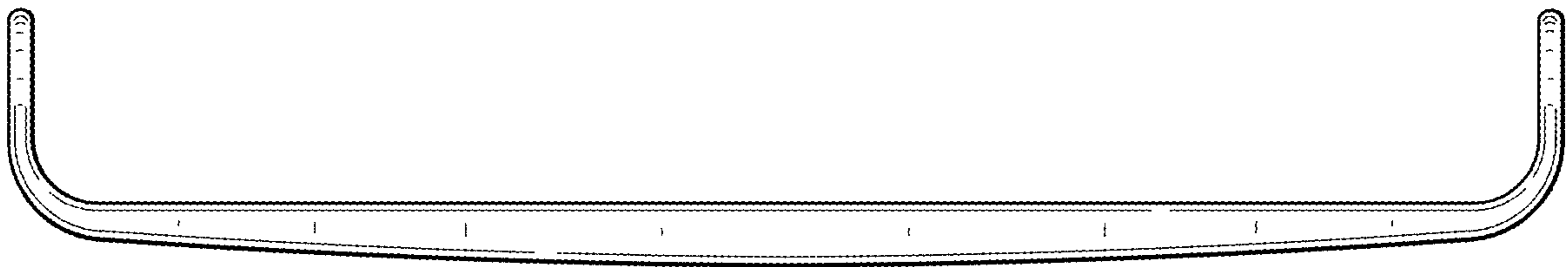


FIG. 10

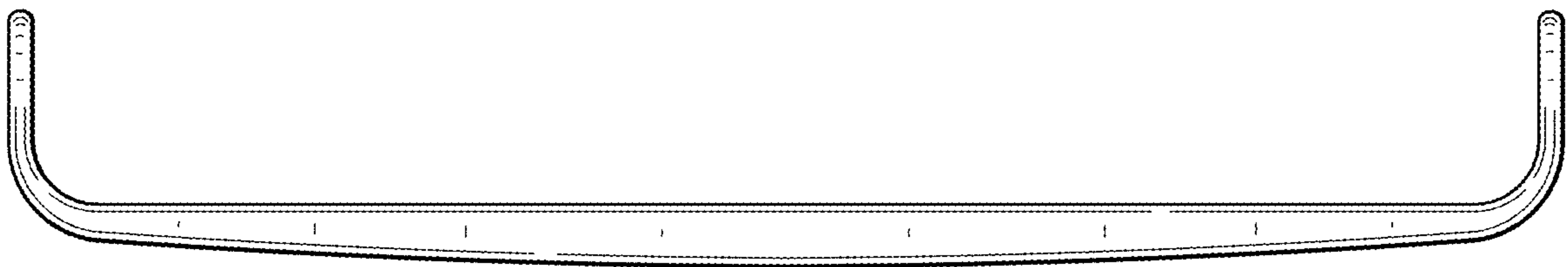


FIG. 11

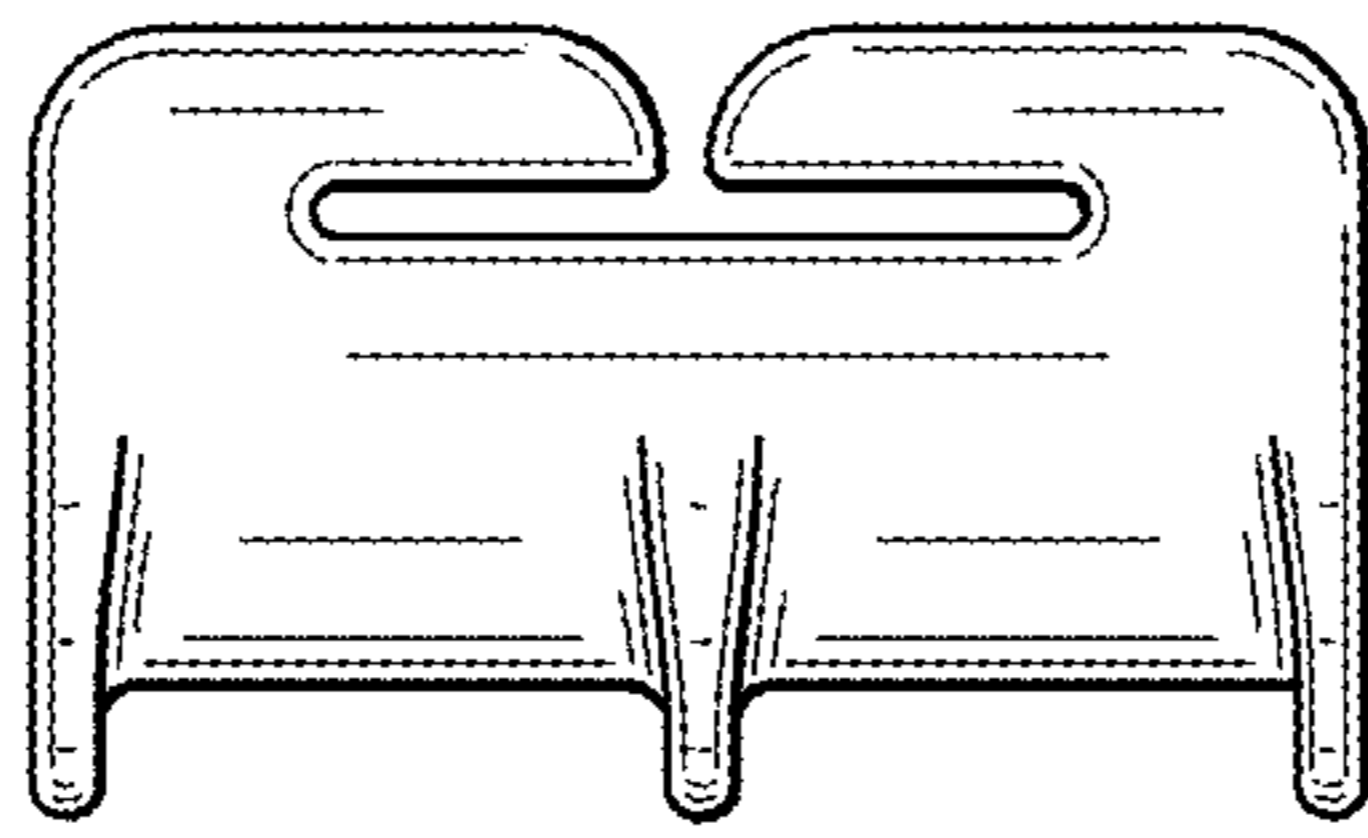


FIG. 12

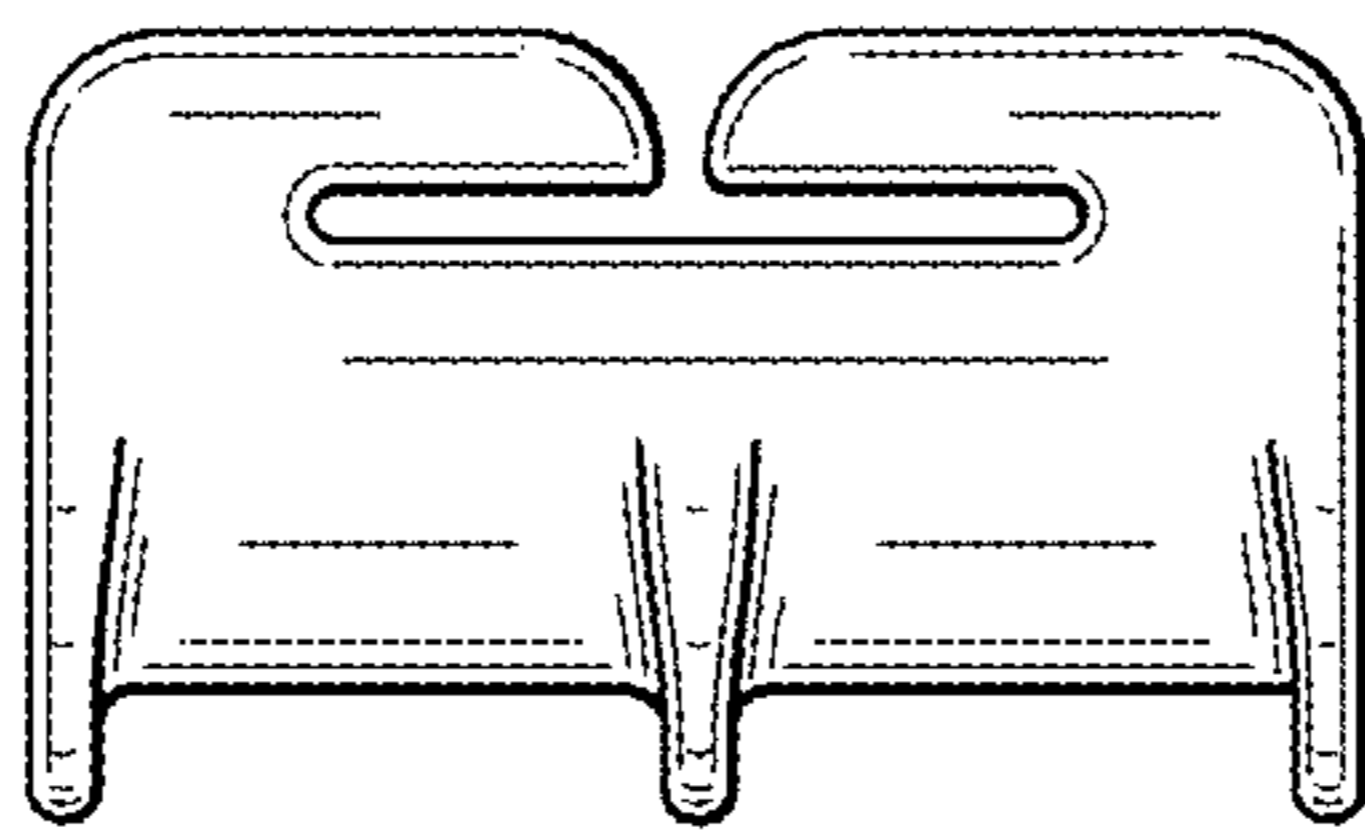


FIG. 13

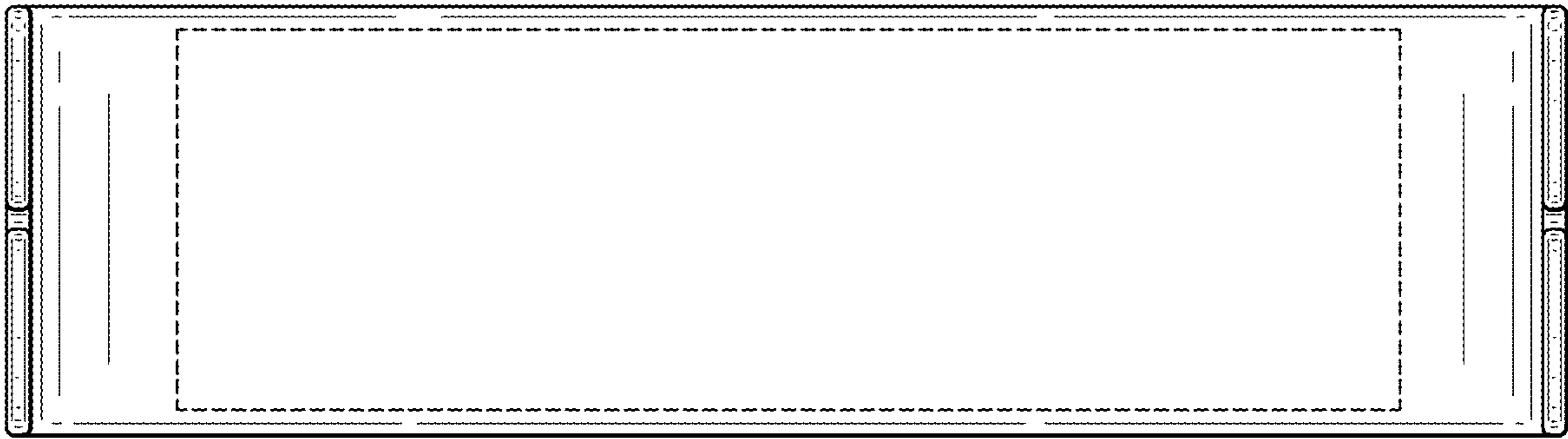


FIG. 14

