



US00D956241S

(12) **United States Design Patent**
Sharif

(10) **Patent No.:** **US D956,241 S**
(45) **Date of Patent:** **** Jun. 28, 2022**

- (54) **LASER DELIVERY SYSTEM**
- (71) Applicant: **Light Instruments Ltd.**, Industrial Zone Yokneam (IL)
- (72) Inventor: **Eitan Sharif**, Gesher HaZiv (IL)
- (73) Assignee: **LIGHT INSTRUMENTS LTD.**, Yokneam (IL)
- (**) Term: **15 Years**
- (21) Appl. No.: **29/683,537**
- (22) Filed: **Mar. 14, 2019**
- (51) **LOC (13) Cl.** **24-02**
- (52) **U.S. Cl.**
USPC **D24/187**; D24/152
- (58) **Field of Classification Search**
USPC D24/107, 111, 133, 144, 146, 152, D24/176-182, 185-187, 200, 209
CPC A61C 7/00; A61C 7/20; A61C 1/02; A61C 1/088; A61C 1/0084; A61C 1/0007; A61C 19/00; A61C 19/003; A61N 5/06; A61N 1/06; A61B 19/00
See application file for complete search history.

- (56) **References Cited**
U.S. PATENT DOCUMENTS
6,129,721 A * 10/2000 Kataoka A61B 18/22 606/2
D639,945 S * 6/2011 Goerge D24/146
D661,399 S * 6/2012 Wang D24/176
8,314,605 B2 * 11/2012 Pruckner A61C 17/20 324/120
8,834,457 B2 * 9/2014 Cao A61B 18/20 606/15
D770,626 S * 11/2016 Werner D24/176
D829,337 S * 9/2018 Klein D24/216
D857,903 S * 8/2019 Esfandiari D24/185
D867,602 S * 11/2019 Ryu D24/187

D874,000 S *	1/2020	Di Sessa	D24/144
D887,559 S *	6/2020	Esfandiari	D24/186
D903,132 S *	11/2020	Shavit	D24/200
D903,133 S *	11/2020	Shavit	D24/200
D908,884 S *	1/2021	Yamakawa	D24/169
D915,611 S *	4/2021	Probst	D24/200
D936,210 S *	11/2021	Yu	D24/111
2009/0081605 A1 *	3/2009	Hay	A61N 5/062 433/29
2010/0082020 A1 *	4/2010	Gong	A61B 18/20 606/12

(Continued)

Primary Examiner — Clint A Samuel
(74) *Attorney, Agent, or Firm* — The Roy Gross Law Firm, LLC; Roy Gross

(57) **CLAIM**

The ornamental design for a laser delivery system, as shown and described.

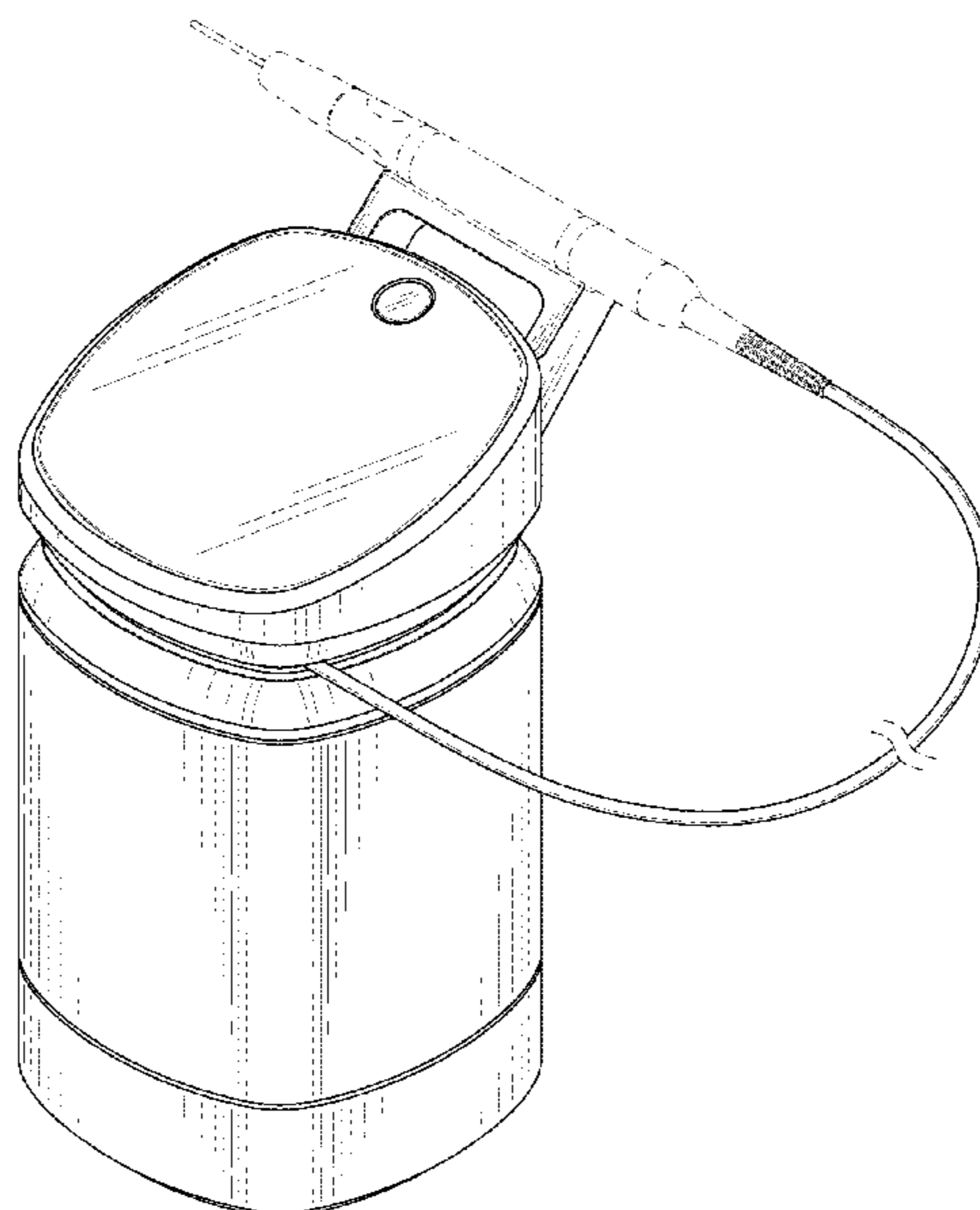
DESCRIPTION

FIG. 1 is a front top right perspective view of the laser delivery system, showing my new design;
 FIG. 2 is a front elevation view thereof;
 FIG. 3 is a rear elevation view thereof;
 FIG. 4 is a right elevation view thereof;
 FIG. 5 is a left elevation view thereof;
 FIG. 6 is a top plan view thereof;
 FIG. 7 is a bottom plan view thereof;
 FIG. 8 is a bottom right perspective view thereof;
 FIG. 9 is a top left perspective view thereof; and,
 FIG. 10 is an exploded view thereof.

The fiber optic cable is shown in FIGS. 1-4, and 6-10 with a symbolic break in its length. The appearance of any portion of the article between the dashed break lines forms no part of the claimed design.

The broken lines shown in drawings are included for the purpose of illustration portions of the laser delivery system, and form no part of the claimed design.

1 Claim, 9 Drawing Sheets



(56)

References Cited

U.S. PATENT DOCUMENTS

2014/0147802 A1* 5/2014 Naldoni A61C 1/0015
433/27
2016/0038257 A1* 2/2016 Eder A61C 17/20
433/118
2020/0390519 A1* 12/2020 Brandstaetter A61C 17/20

* cited by examiner

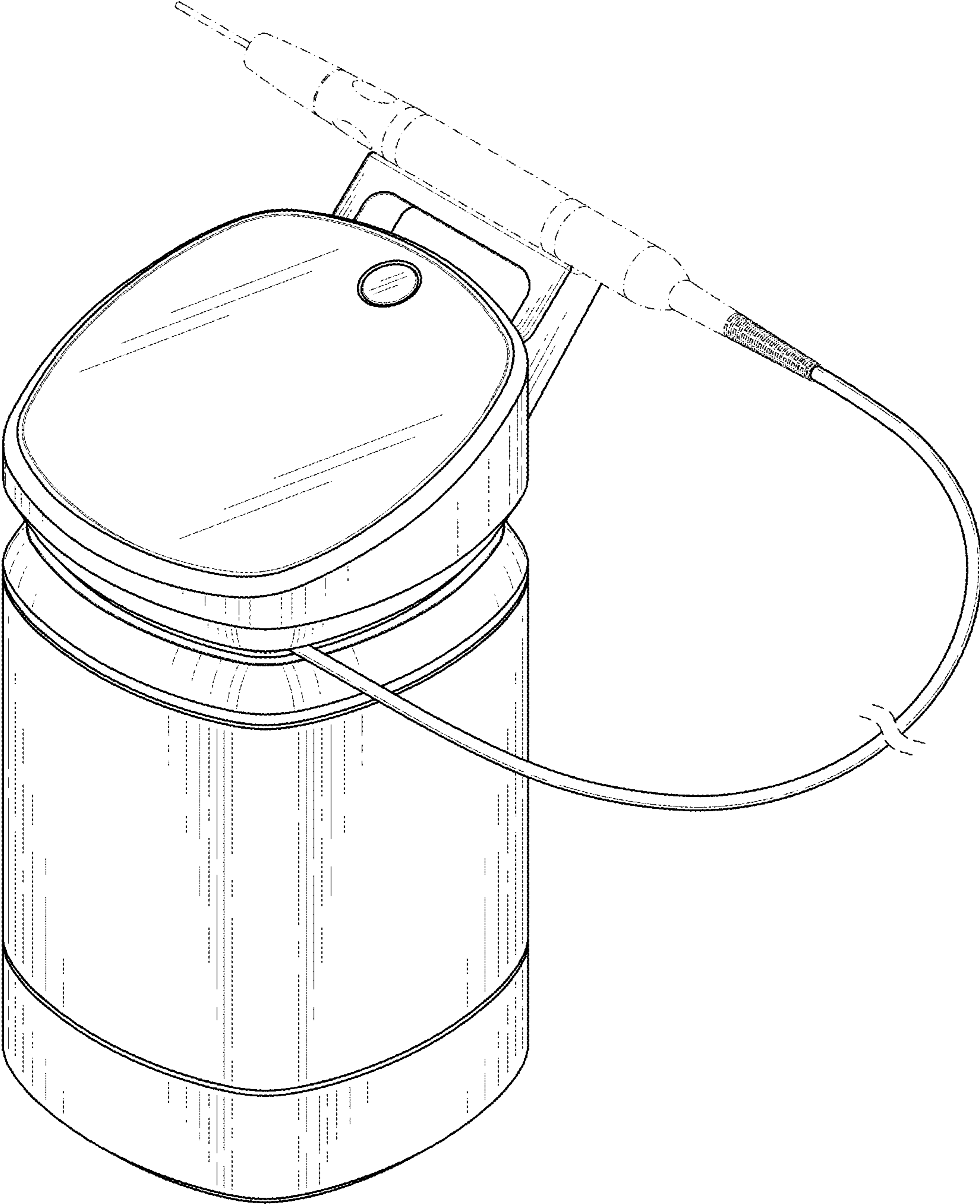


FIG. 1

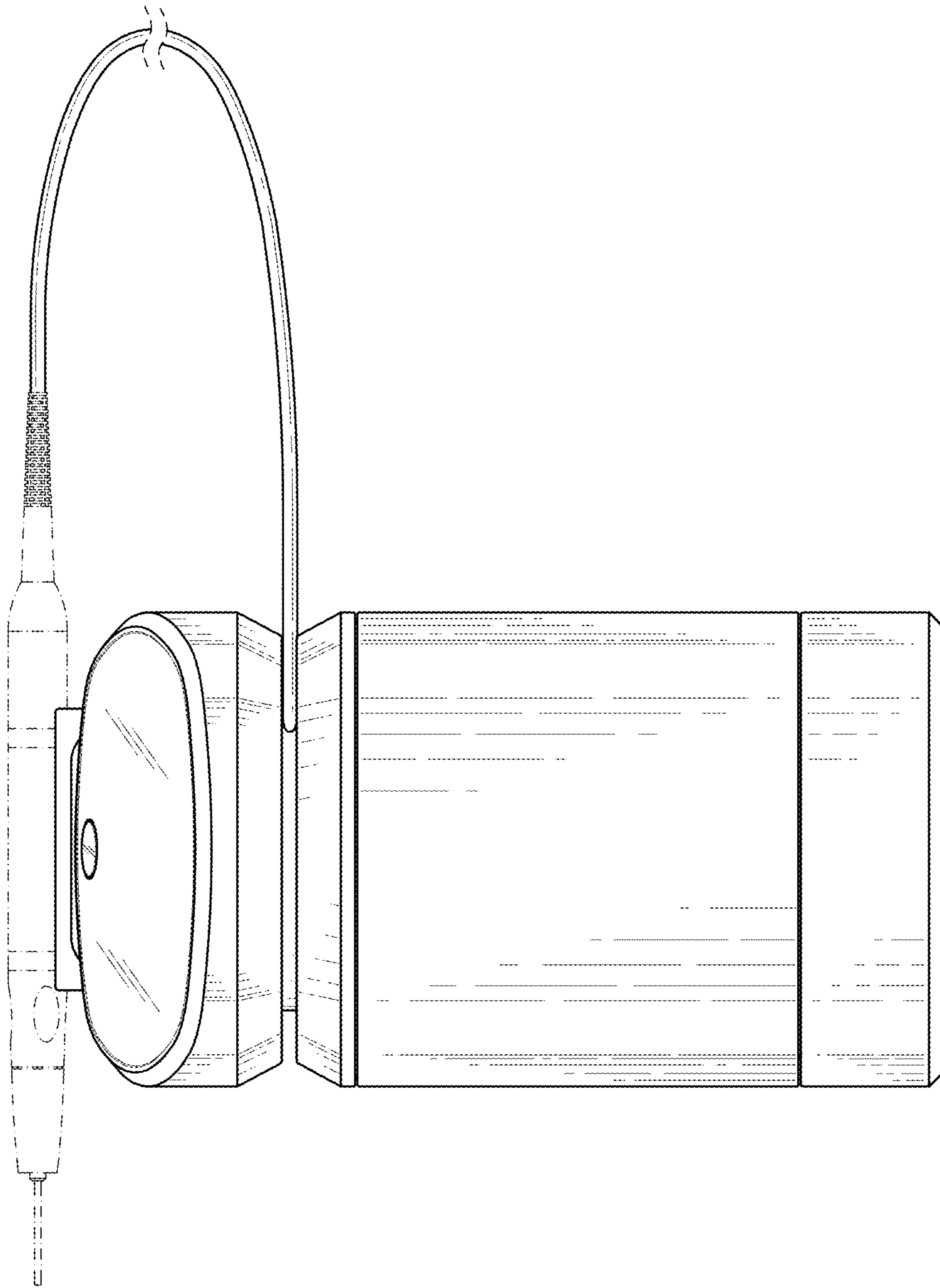


FIG. 2

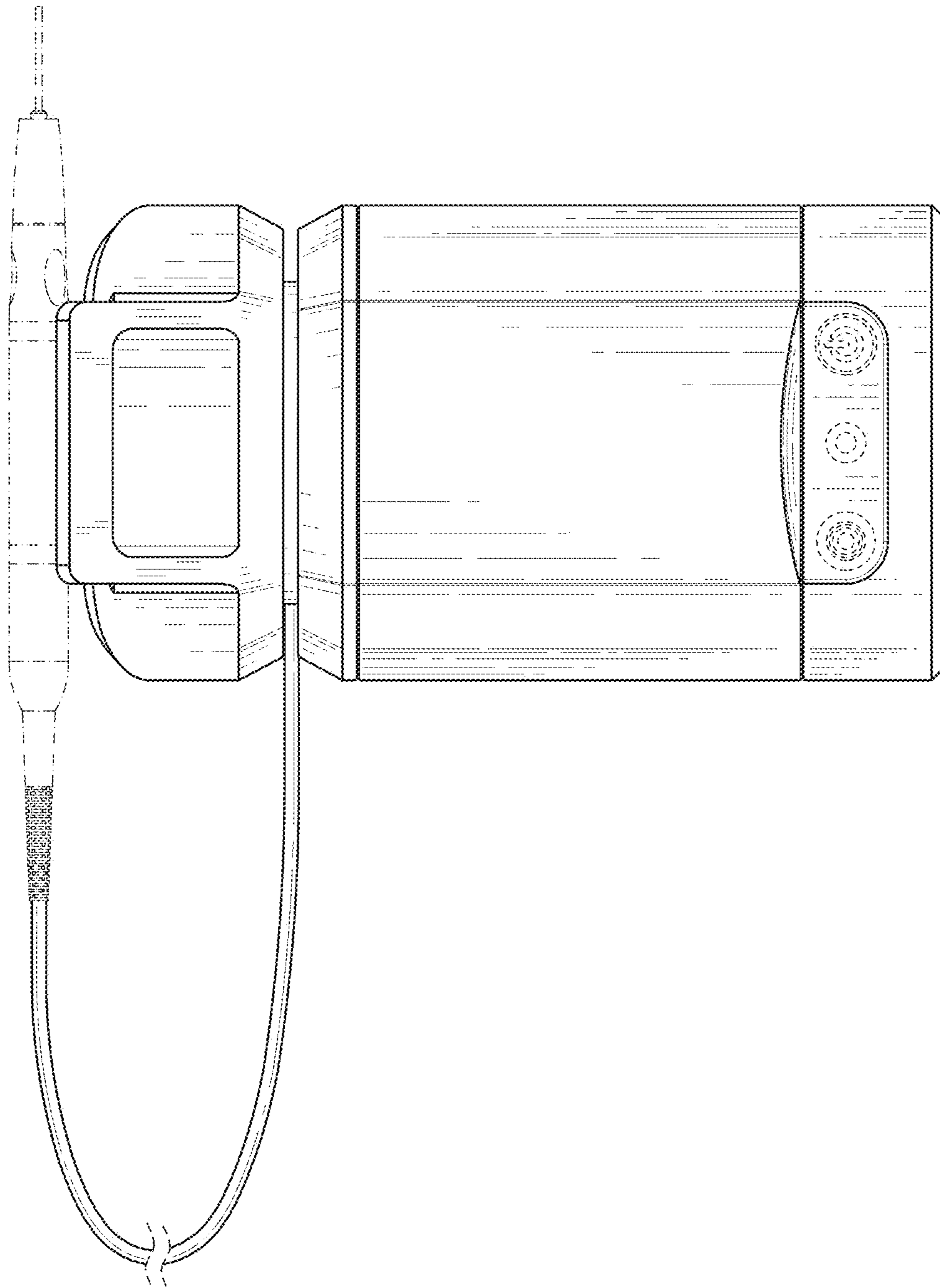


FIG. 3

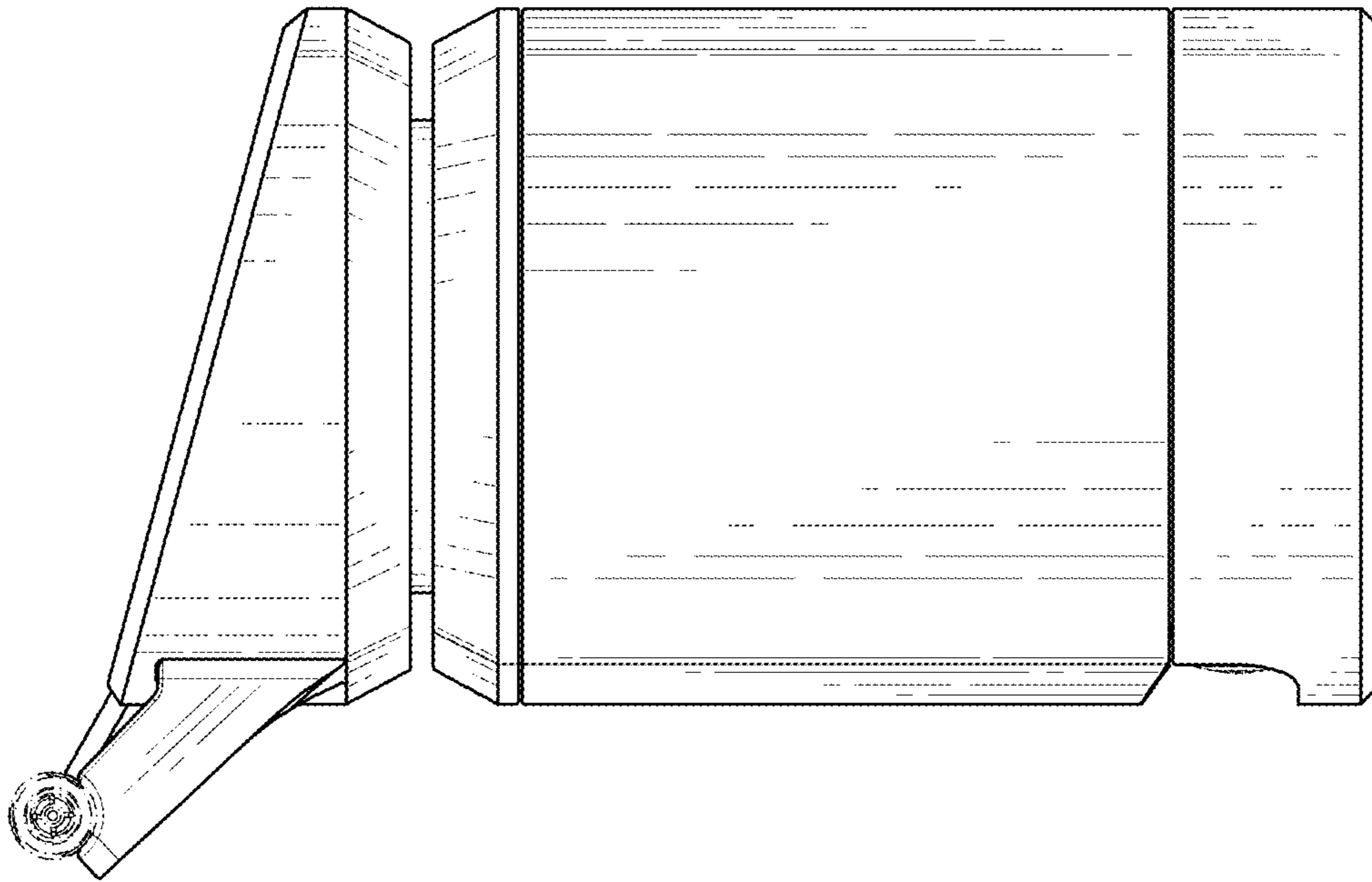


FIG. 5

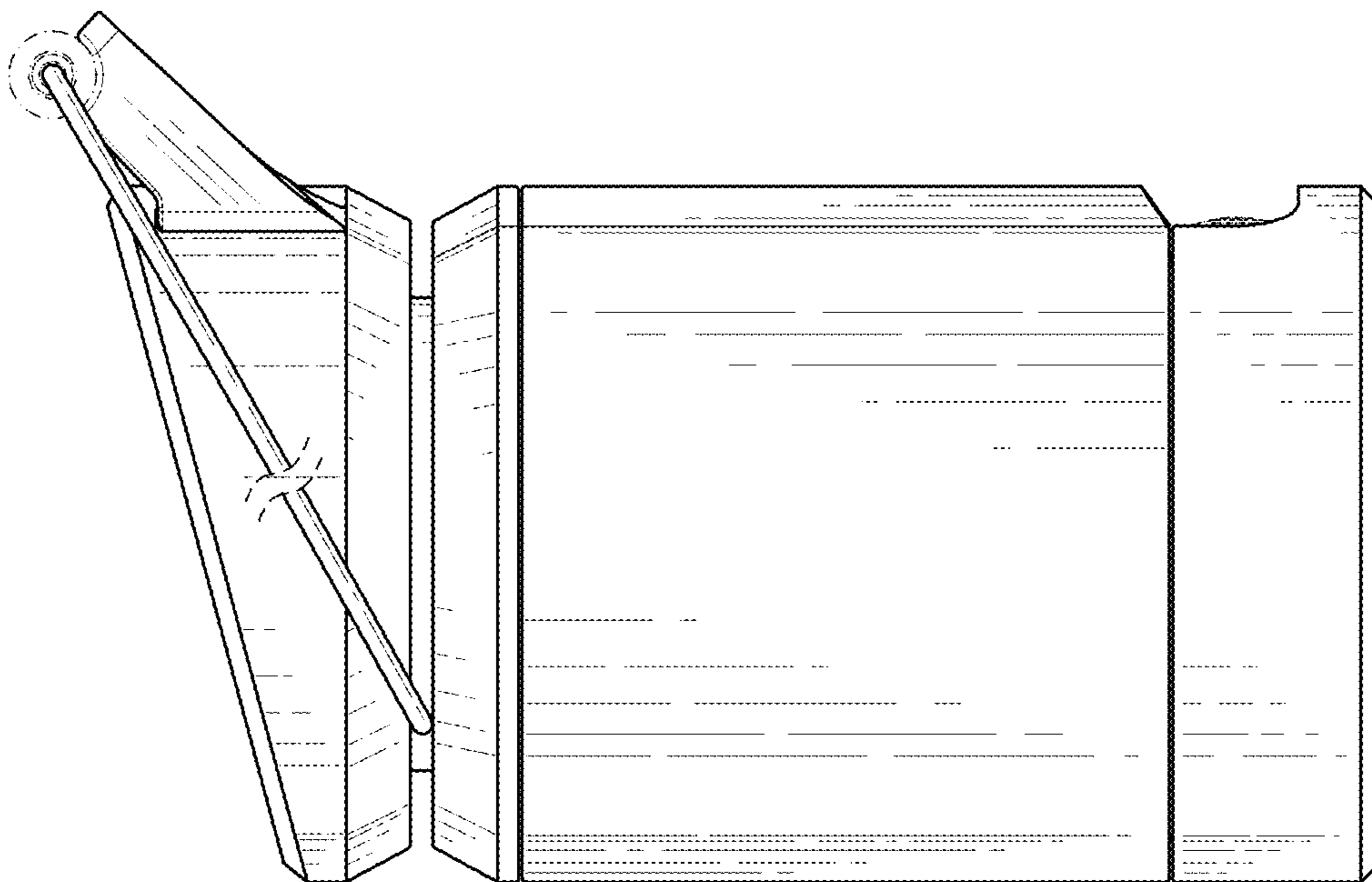


FIG. 4

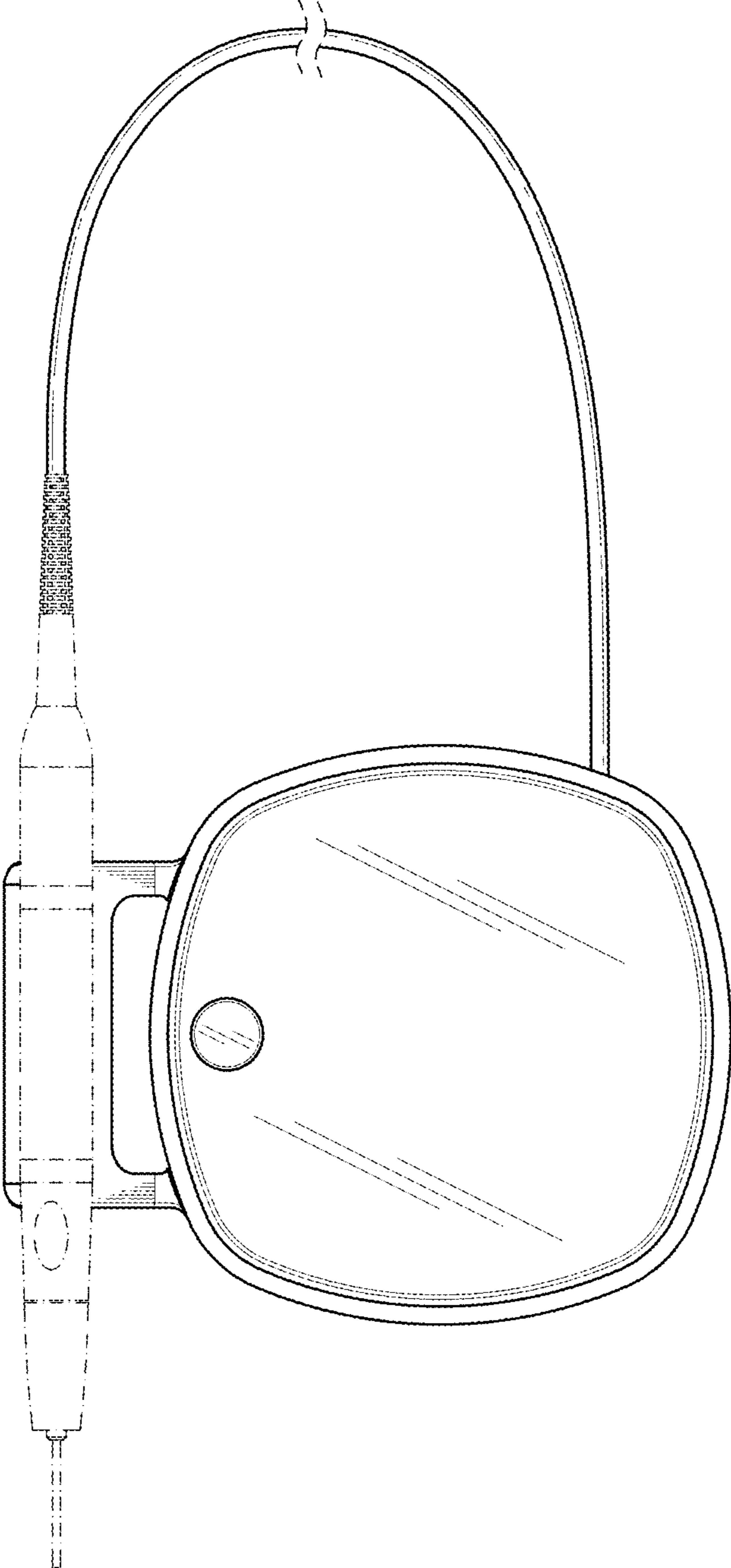


FIG. 6

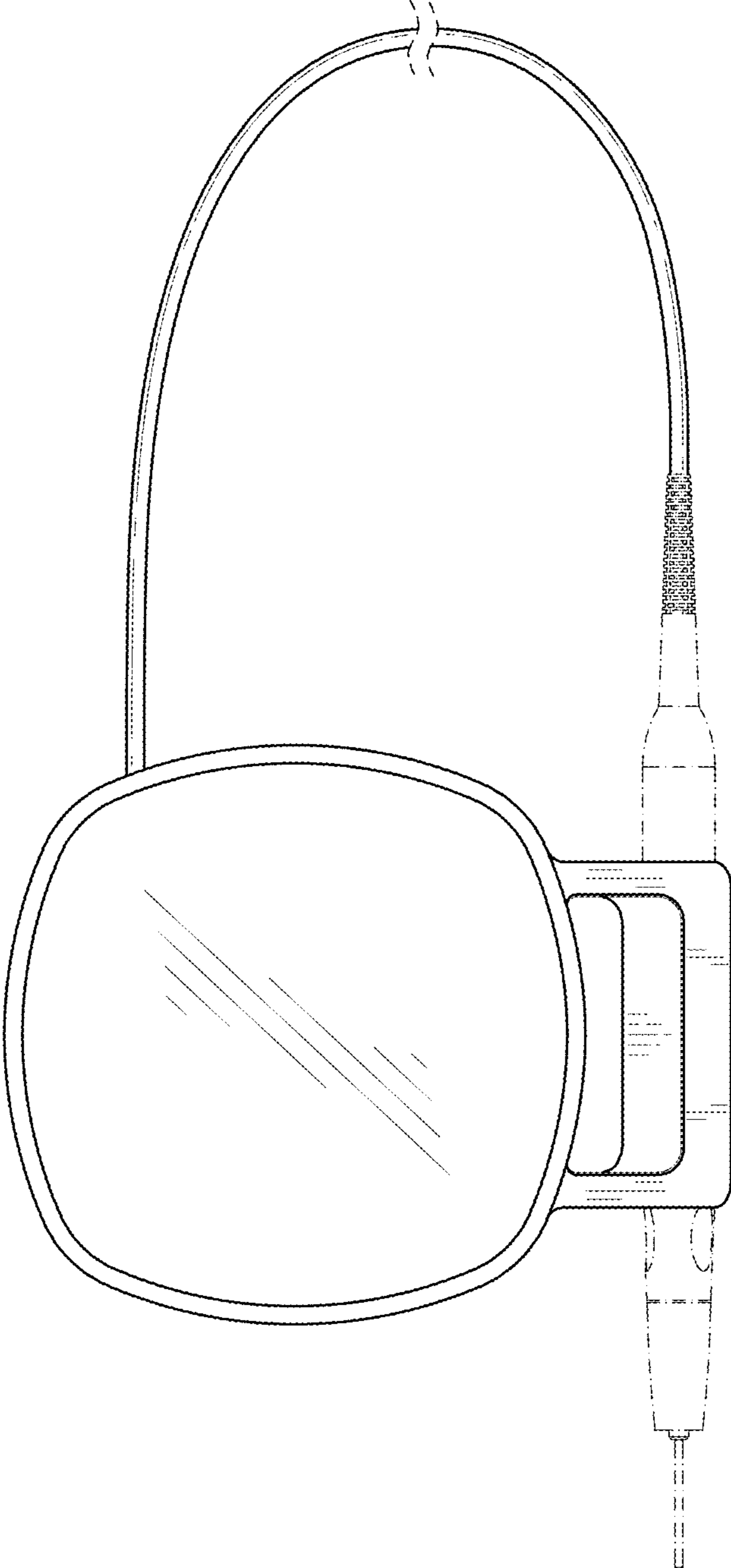


FIG. 7

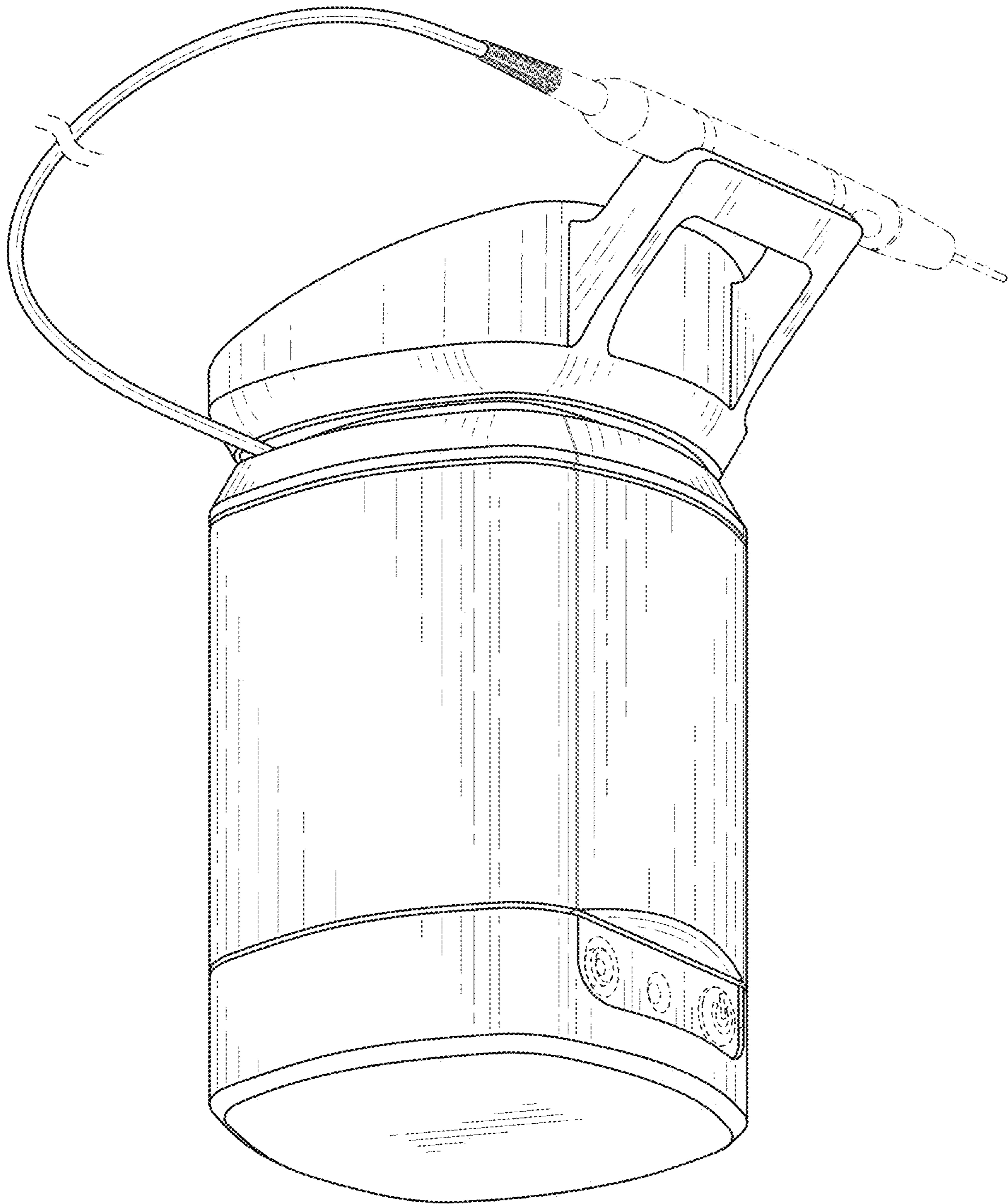


FIG. 8

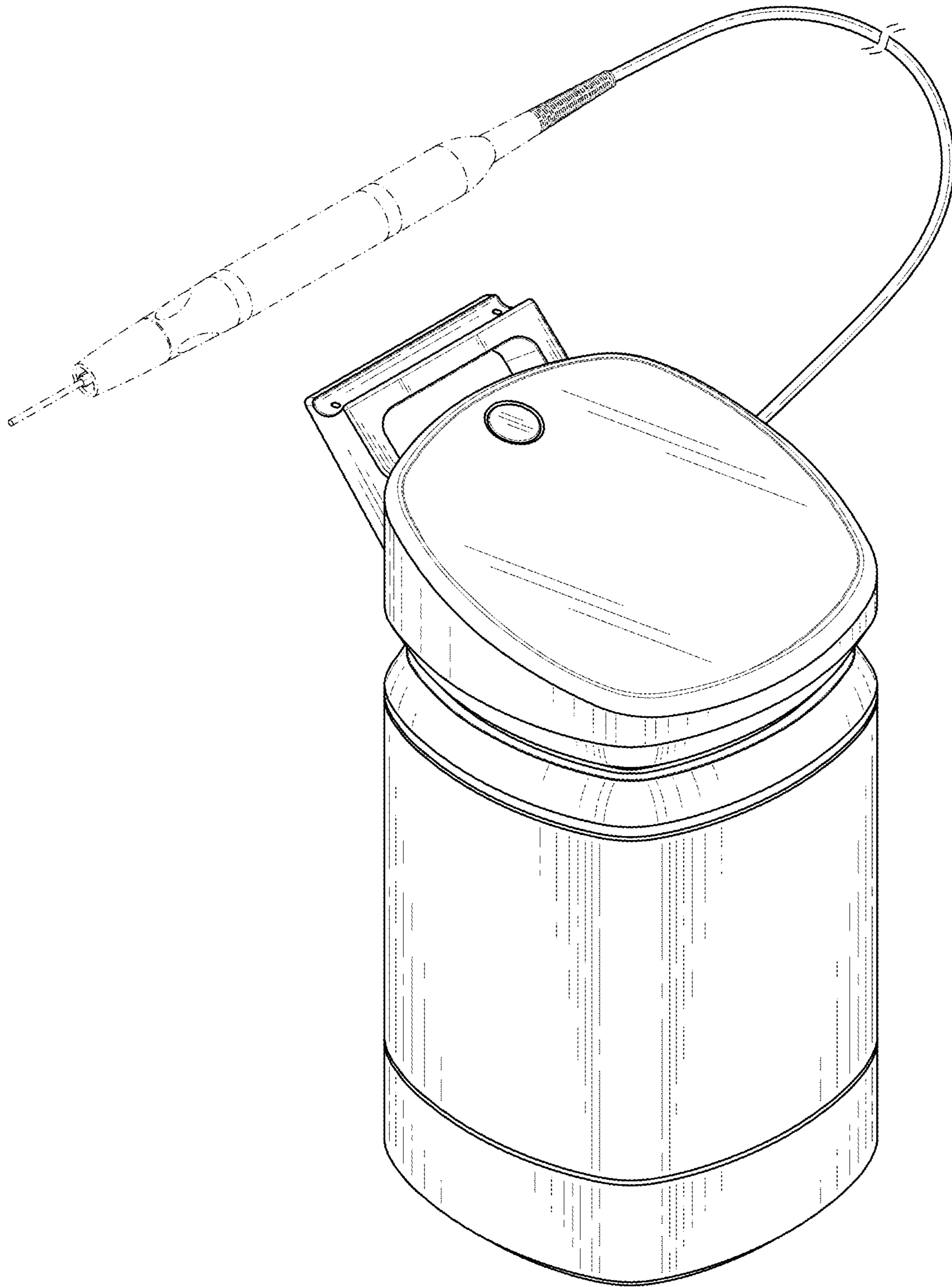


FIG. 9

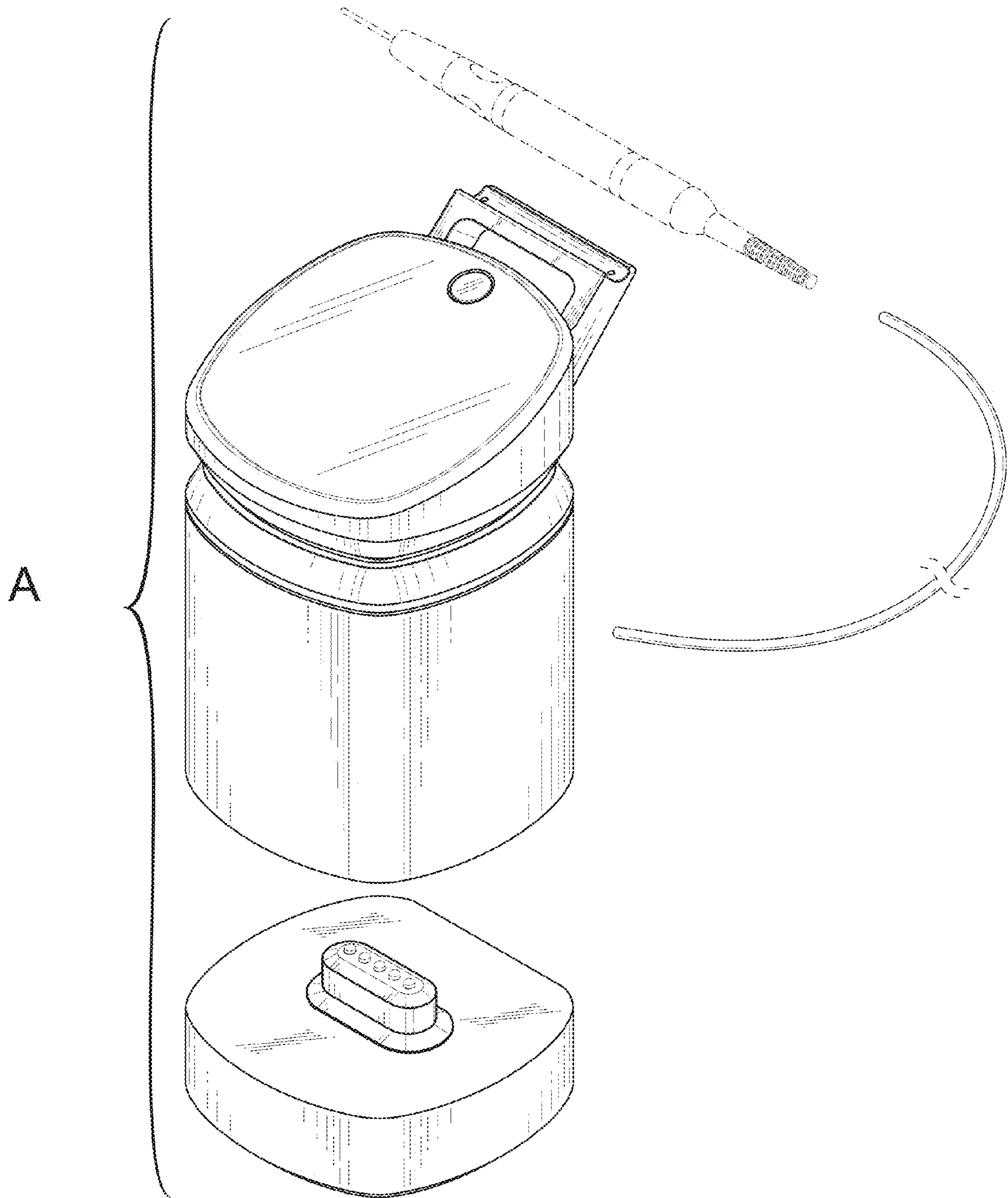


FIG. 10