



US00D956240S

(12) **United States Design Patent**
McBrien et al.

(10) **Patent No.:** **US D956,240 S**
(45) **Date of Patent:** **** Jun. 28, 2022**

(54) **STRUCTURE FOR INTERFACING A SURGICAL ROBOTIC ARM AND INSTRUMENT**

(71) Applicant: **CMR Surgical Limited**, Cambridge (GB)

(72) Inventors: **Martin McBrien**, Cambridge (GB);
James Oliver Grant, Cambridge (GB);
Keith Marshall, Cambridge (GB)

(73) Assignee: **CMR Surgical Limited**, Cambridge (GB)

(**) Term: **15 Years**

(21) Appl. No.: **29/766,531**

(22) Filed: **Jan. 15, 2021**

Related U.S. Application Data

(63) Continuation of application No. 29/681,852, filed on Feb. 28, 2019, now Pat. No. Des. 910,186.

(51) **LOC (13) Cl.** **24-02**

(52) **U.S. Cl.**
USPC **D24/185**

(58) **Field of Classification Search**
USPC D24/185, 129, 158, 161; D15/199;
D8/396; D14/452
CPC A61B 34/30; A61B 34/35; B25J 9/102;
A61F 5/0118; A61F 2/30771; A61F
2/30734; A61G 13/12
See application file for complete search history.

(56) **References Cited**

U.S. PATENT DOCUMENTS

4,373,709 A * 2/1983 Whitt A61G 13/12
128/882
4,549,319 A * 10/1985 Meyer A61F 2/30734
623/23.23

4,659,331 A * 4/1987 Matthews A61F 2/30771
623/20.21
D572,739 S * 7/2008 Jennings D15/199
D646,703 S * 10/2011 Wong D15/199
D652,913 S * 1/2012 Selvarajan D24/110.5
D655,324 S * 3/2012 Wong D15/199
D660,845 S * 5/2012 Schmauch D14/452
D687,148 S * 7/2013 Knieriem D24/185
D703,323 S * 4/2014 Hayman D24/158
D710,501 S * 8/2014 Hayman D24/161
D739,224 S * 9/2015 Hayman D8/396
D763,336 S * 8/2016 Ries D15/199
D775,358 S * 12/2016 Meinertz D24/174

(Continued)

FOREIGN PATENT DOCUMENTS

GB 2553879 A 3/2018
GB 2556554 A 5/2018

Primary Examiner — Rhea Shields

(74) *Attorney, Agent, or Firm* — Mintz Levin Cohn Ferris Glovsky and Pope, P.C.

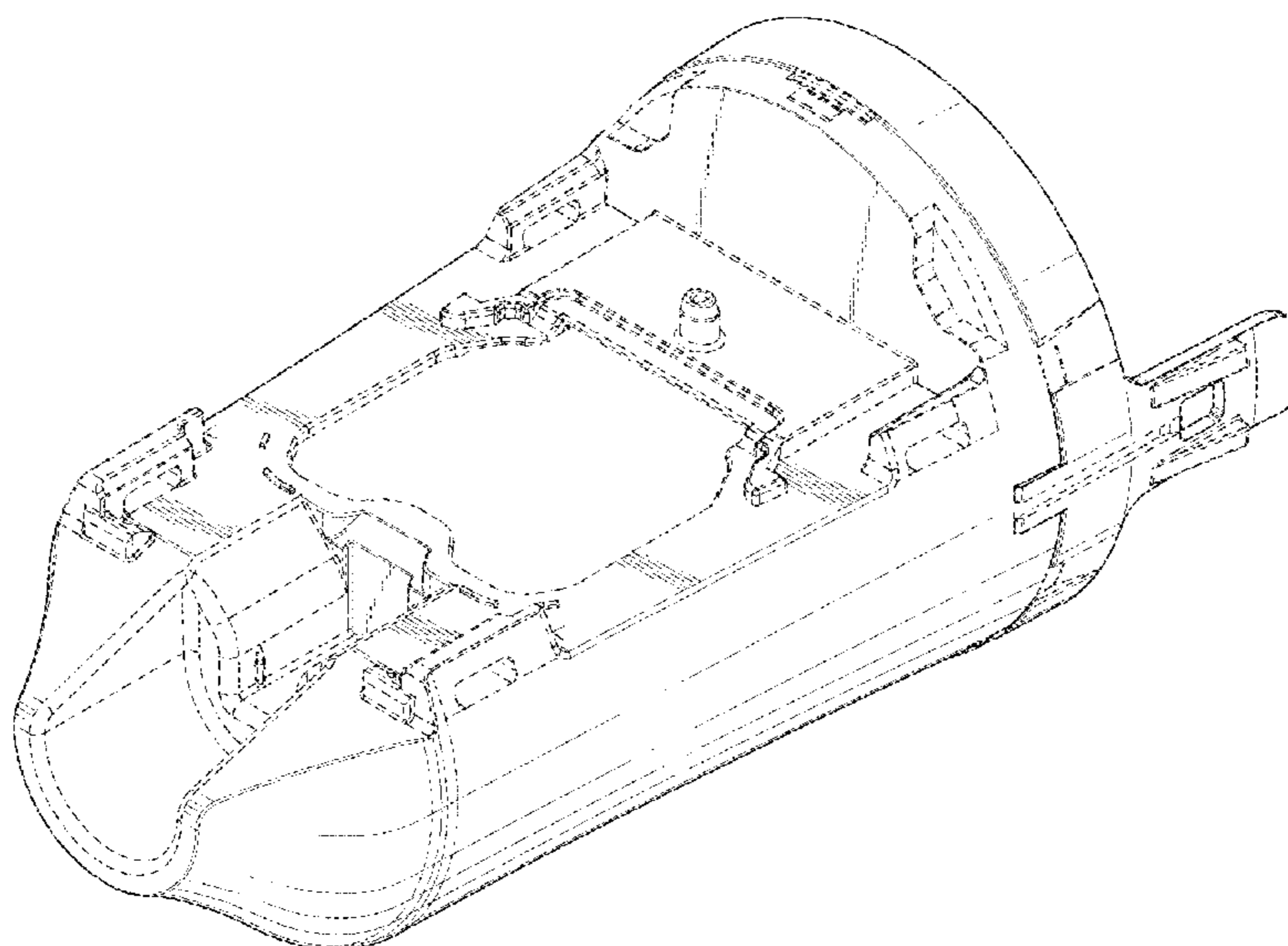
(57) **CLAIM**

The ornamental design for a structure for interfacing a surgical robotic arm and instrument, as shown and described.

DESCRIPTION

FIG. 1 is a front, top, right-side perspective view of a structure for interfacing a surgical robotic arm and instrument showing our new design;
FIG. 2 is a rear, top, left-side perspective view thereof;
FIG. 3 is a top view thereof;
FIG. 4 is a bottom view thereof;
FIG. 5 is a rear view thereof;
FIG. 6 is a front view thereof; and,
FIG. 7 is a right-side view thereof.
The dash-dash broken lines illustrate portions of the structure for interfacing a surgical robotic arm and instrument that form no part of the claimed design.

1 Claim, 6 Drawing Sheets



(56)

References Cited

U.S. PATENT DOCUMENTS

| | | | | |
|--------------|------|---------|------------------|----------------------|
| 10,206,752 | B2 * | 2/2019 | Hares | A61B 34/35 |
| D855,794 | S * | 8/2019 | Gray | D24/110.4 |
| 10,398,516 | B2 * | 9/2019 | Jackson | B25J 9/102 |
| D862,693 | S * | 10/2019 | Holop | D24/129 |
| D873,418 | S * | 1/2020 | Scott | D24/185 |
| D879,962 | S * | 3/2020 | Miwa | D24/158 |
| 10,722,312 | B2 * | 7/2020 | Marshall | A61B 34/30 |
| D901,682 | S * | 11/2020 | Vuillemin | D24/170 |
| 10,926,404 | B2 * | 2/2021 | Jackson | A61B 34/30 |
| 2012/0010546 | A1 * | 1/2012 | Sotereanos | A61F 5/0118 602/4 |

* cited by examiner

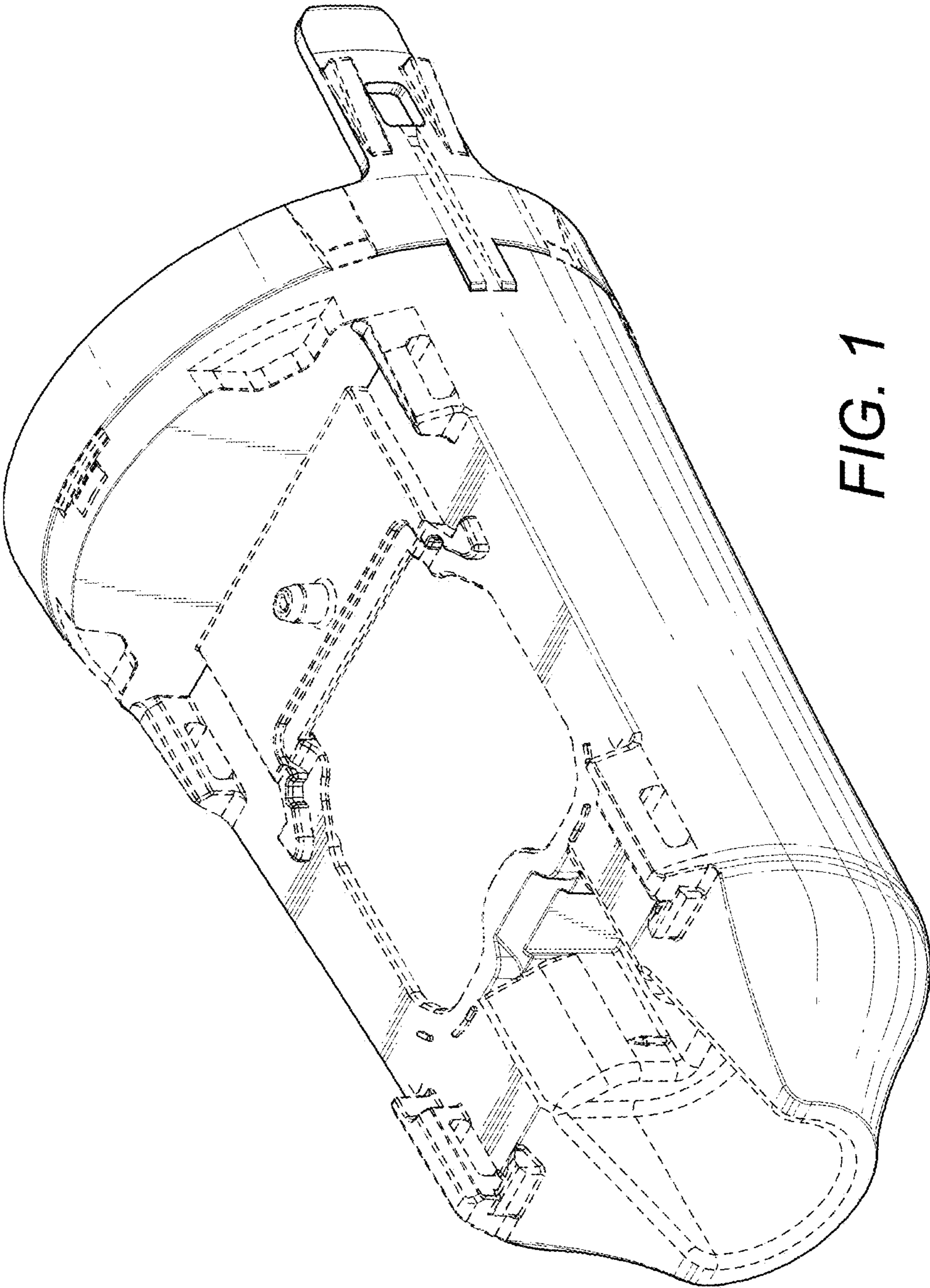


FIG. 1

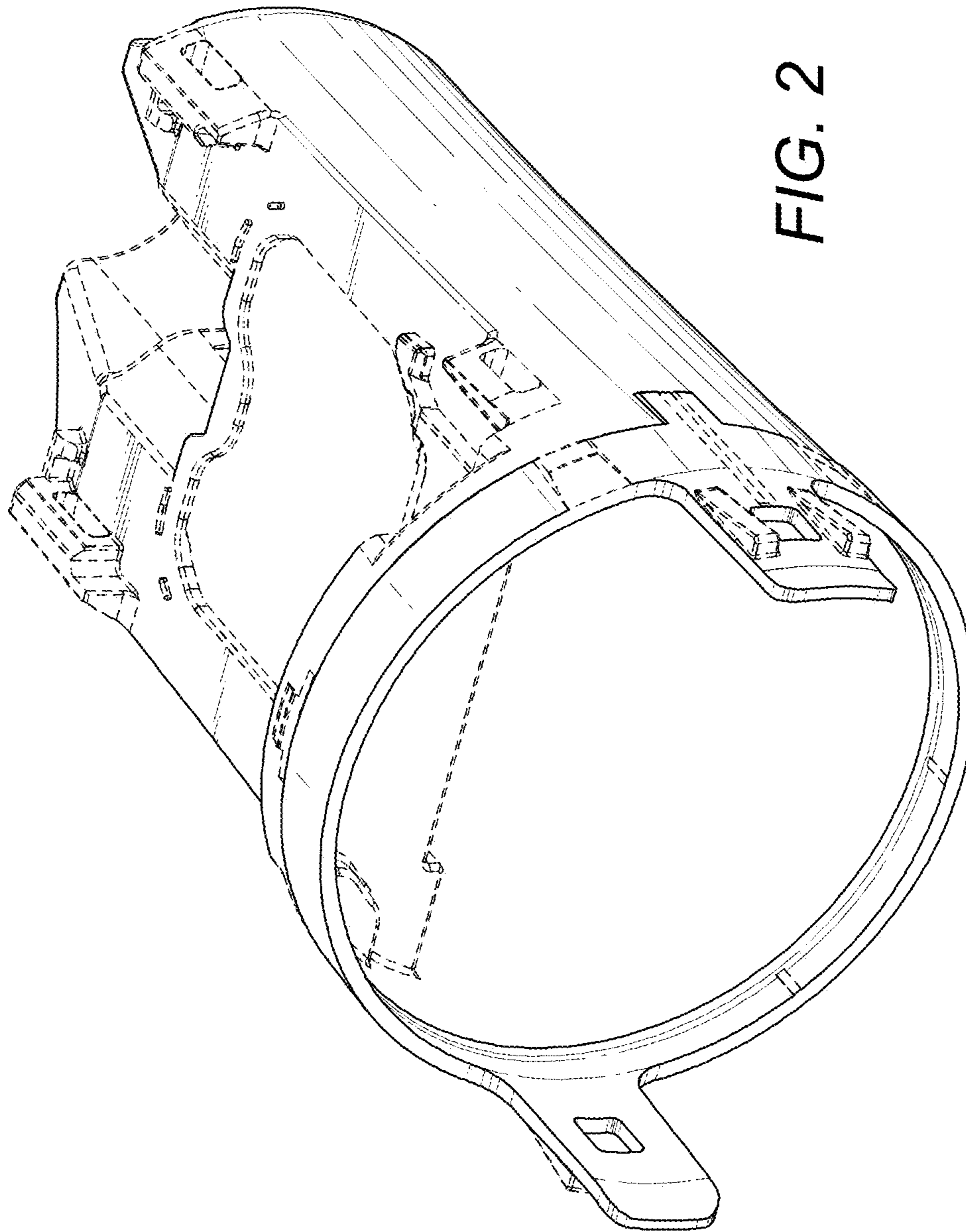


FIG. 2

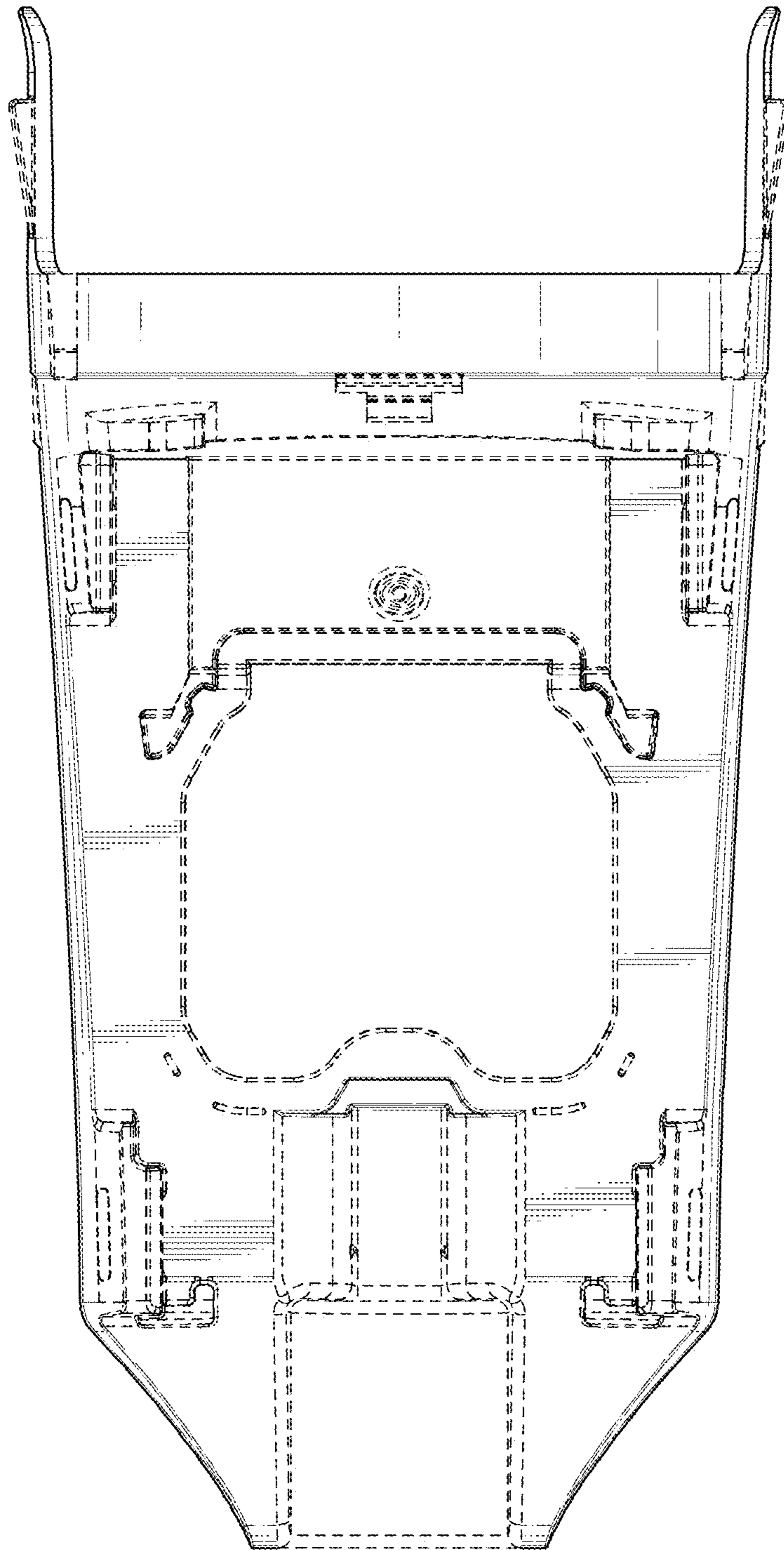


FIG. 3

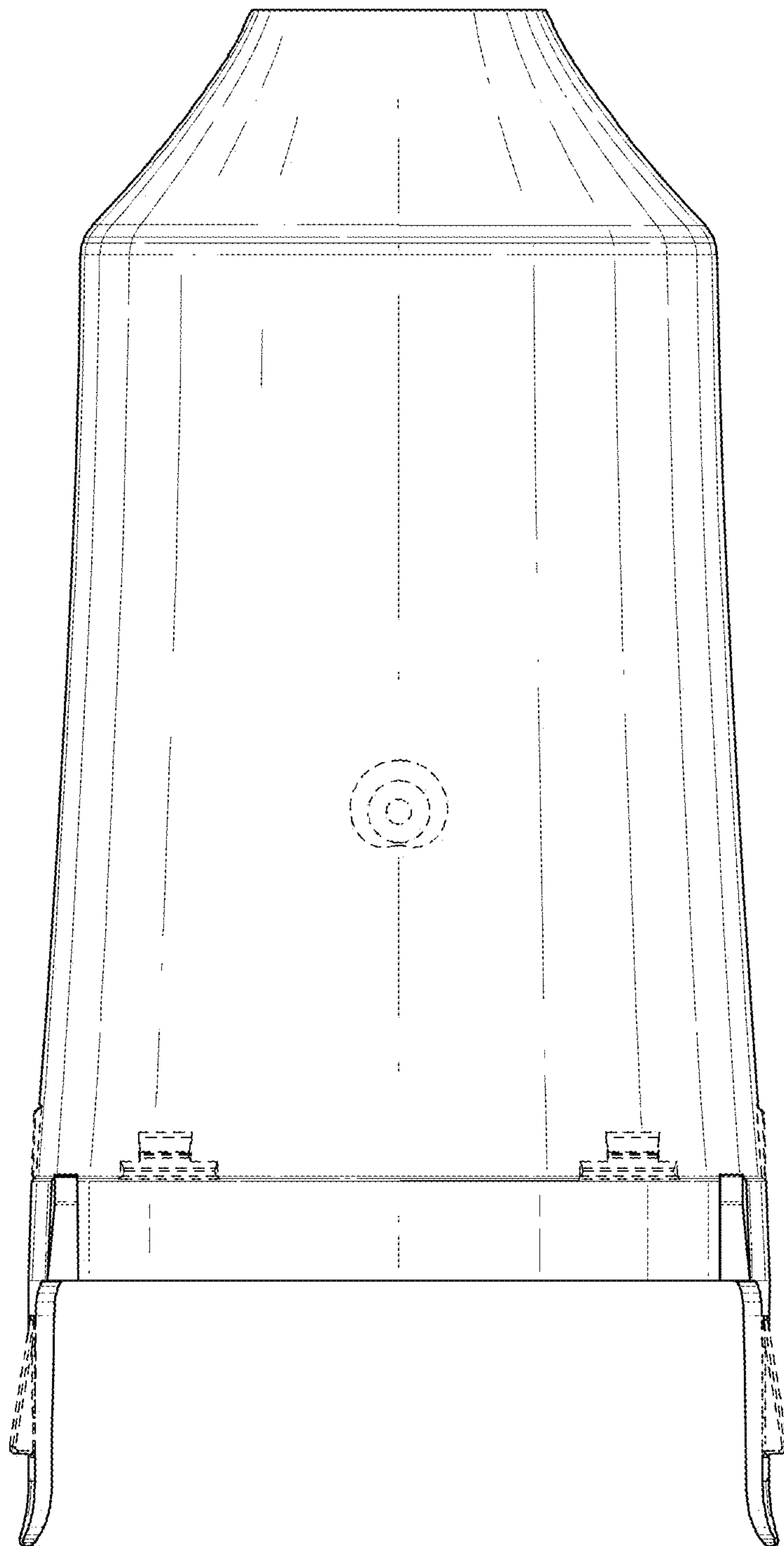


FIG. 4

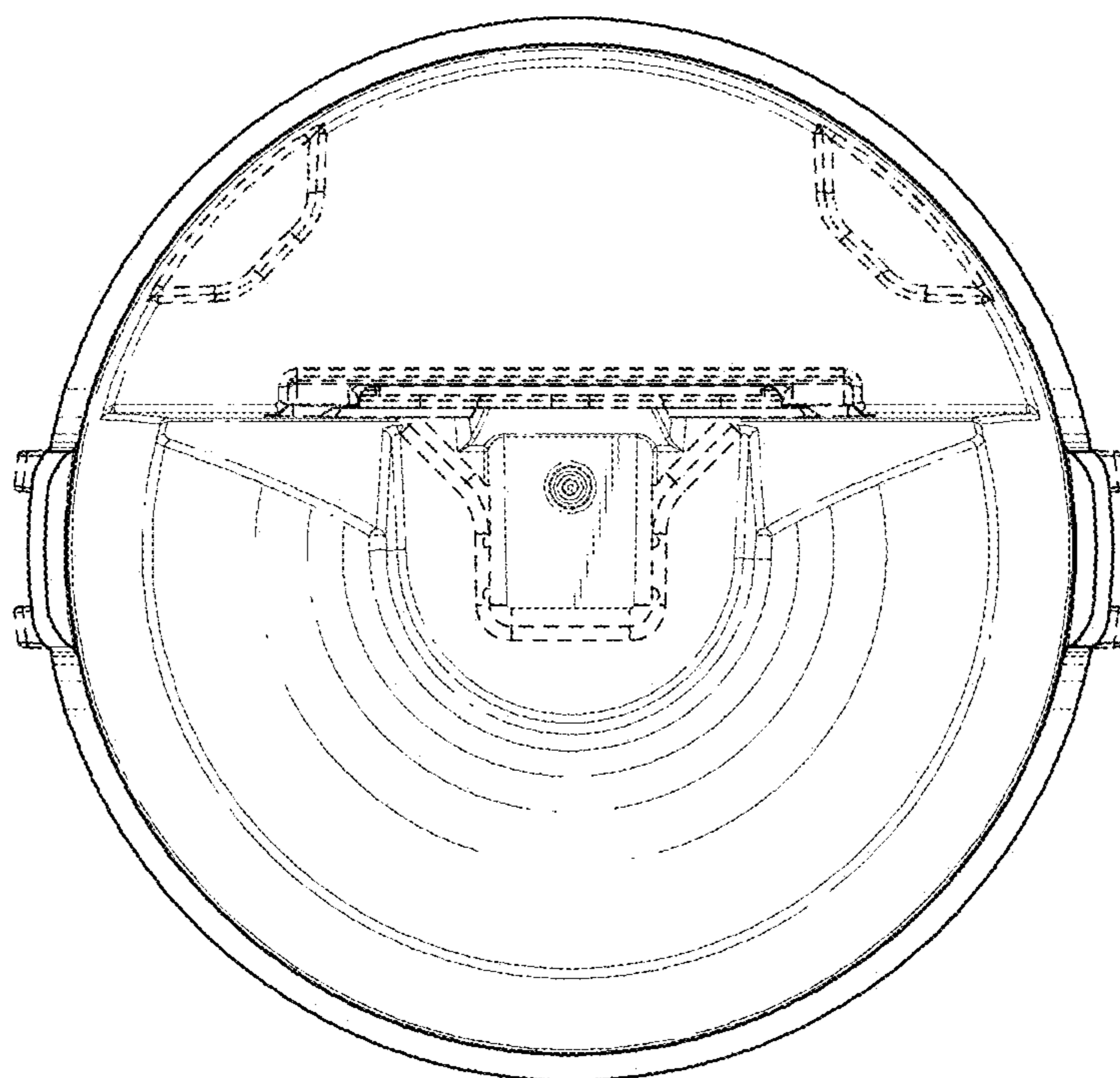


FIG. 5

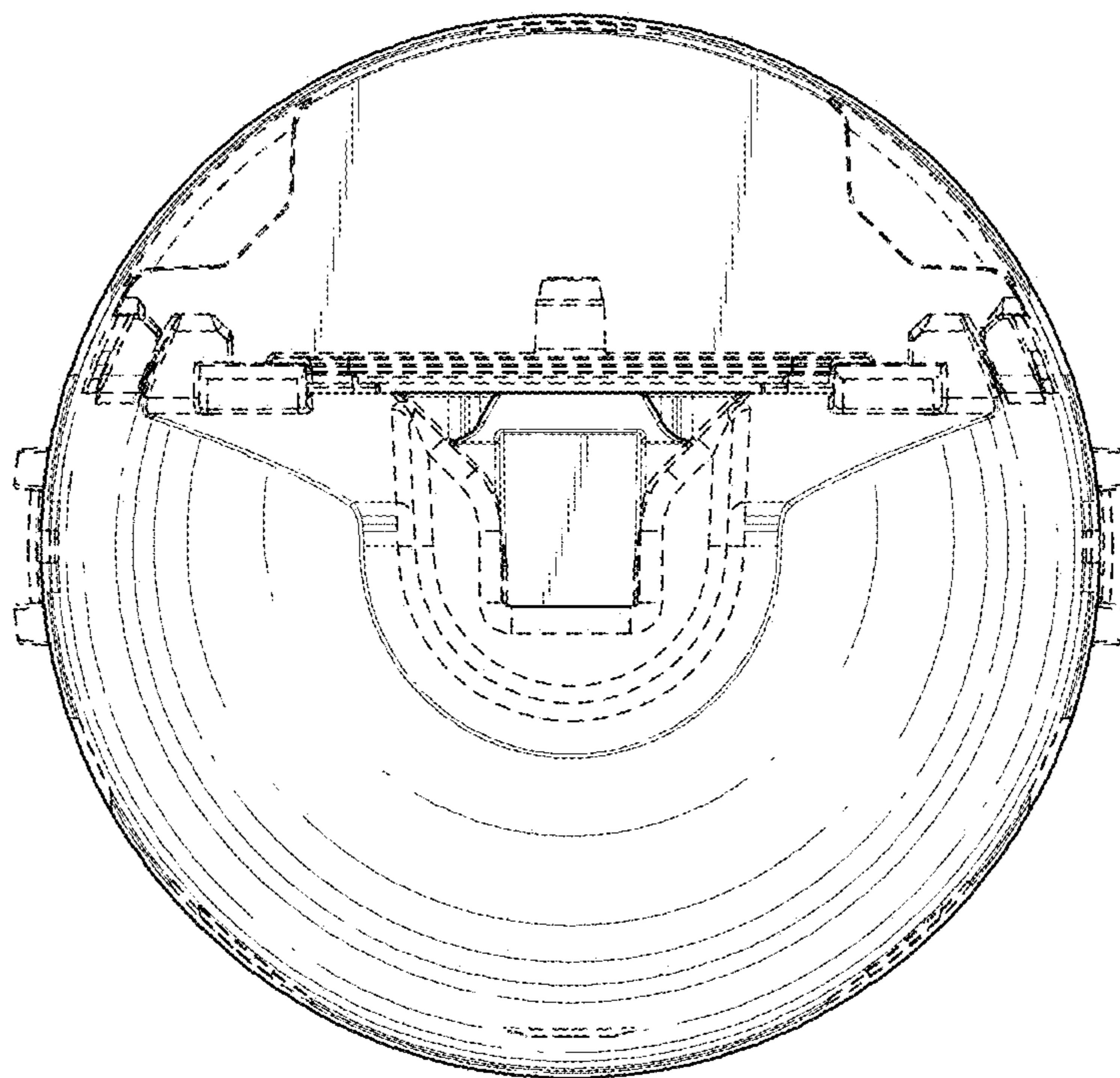


FIG. 6

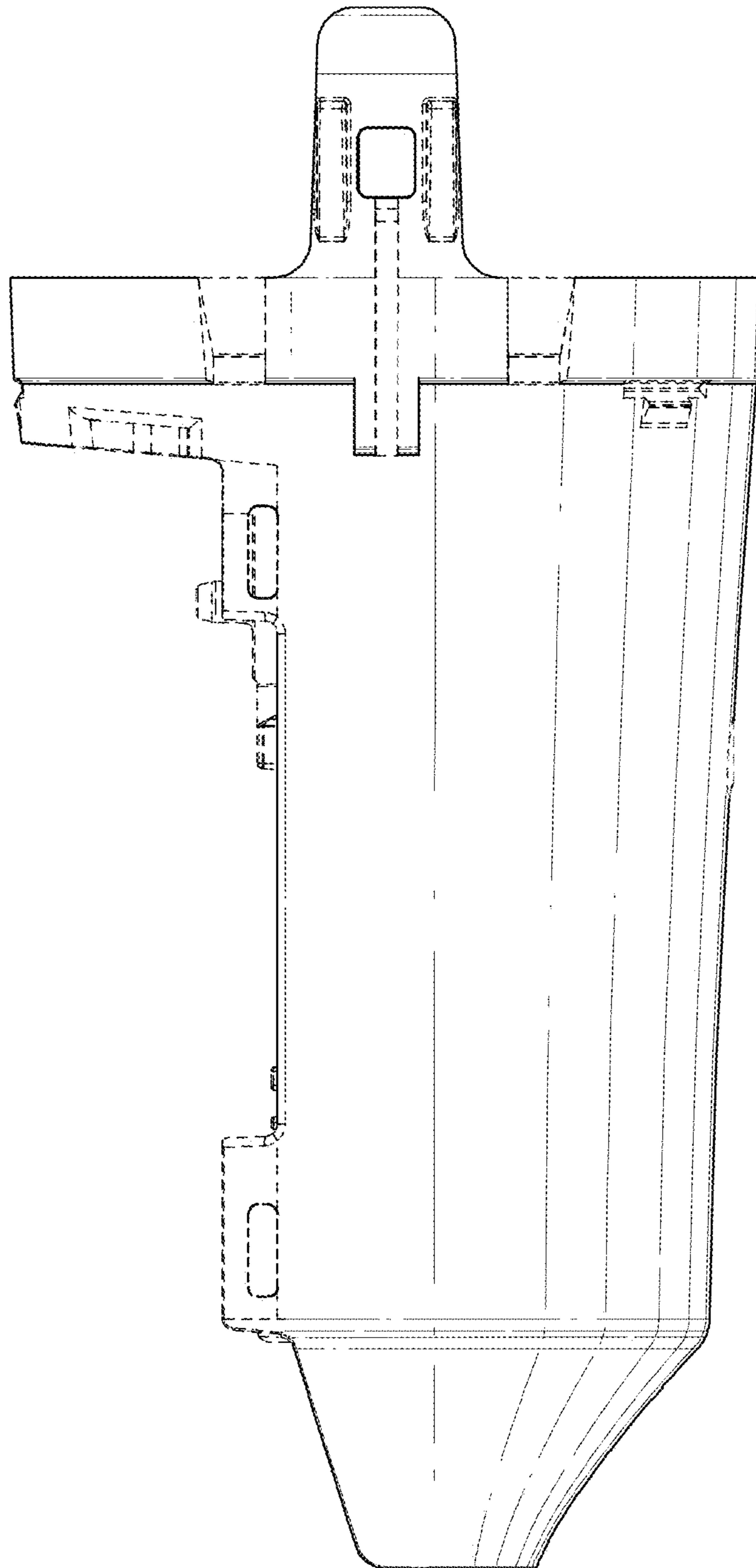


FIG. 7

UNITED STATES PATENT AND TRADEMARK OFFICE
CERTIFICATE OF CORRECTION

PATENT NO. : D956,240 S
APPLICATION NO. : 29/766531
DATED : June 28, 2022
INVENTOR(S) : Dominic Martin McBrien et al.

Page 1 of 1

It is certified that error appears in the above-identified patent and that said Letters Patent is hereby corrected as shown below:

On the Title Page

In item (72) Inventor's: please delete "Martin McBrien" and add --Dominic Martin McBrien--

Signed and Sealed this
Twenty-seventh Day of August, 2024
Katherine Kelly Vidal

Katherine Kelly Vidal
Director of the United States Patent and Trademark Office