



US00D956239S

(12) **United States Design Patent**  
**Squitieri et al.**

(10) **Patent No.:** **US D956,239 S**  
(45) **Date of Patent:** **\*\* Jun. 28, 2022**

(54) **INFLATABLE PERFUSION ENHANCEMENT STRUCTURE**

D420,846 S \* 2/2000 Voelkert ..... D6/601  
D461,900 S \* 8/2002 Siepmann ..... 5/600  
D496,105 S \* 9/2004 Walters ..... D24/183

(71) Applicant: **TurnCare, Inc.**, Palo Alto, CA (US)

(Continued)

(72) Inventors: **Rafael Paolo Squitieri**, Wilton, CT (US); **Robert Charles Deutsch**, Oakridge, CA (US); **Steven Bruce Frazier**, Slotasburg, NY (US); **Robert Loiacono**, Young Harris, GA (US); **Linda Seaman**, Bridgeport, CT (US); **Erica Kelly**, Bridgeport, CT (US)

**OTHER PUBLICATIONS**

Guardian System. Online, published date unknown. Retrieved on Dec. 10, 2021 from URL: <https://www.turncare.com/product>.\*

*Primary Examiner* — Omeed Agilee  
(74) *Attorney, Agent, or Firm* — Perkins Coie LLP; Andrew T. Pettit; Brian Coleman

(73) Assignee: **TurnCare, Inc.**, Palo Alto, CA (US)

(\*\*) Term: **15 Years**

(57) **CLAIM**

The ornamental design for an inflatable perfusion enhancement structure, as shown and described.

(21) Appl. No.: **29/732,109**

(22) Filed: **Apr. 21, 2020**

(51) **LOC (13) Cl.** ..... **24-02**

(52) **U.S. Cl.**  
USPC ..... **D24/184**

(58) **Field of Classification Search**  
USPC ..... D24/183, 184, 190–192; D6/595–604; D21/803–809

CPC .... A61F 5/0111; A61F 5/0127; A61F 13/066; A61F 2/6607; A61F 5/37; A47G 9/10; A47G 9/00; A47G 2009/001; A47G 2009/002; A47G 2009/003; A47G 2009/005; A47G 2009/006; A47G 9/02; A47G 9/0207; A47G 9/0215; A47G 2009/0276; A47G 9/0284; A47G 9/0292; A47C 20/021; A47C 20/023; A47C 16/00; A47C 20/026; A61G 99/00

See application file for complete search history.

**DESCRIPTION**

FIG. 1 is a top view of an inflatable perfusion enhancement structure showing our design in an uninflated state.

FIG. 2 is a bottom view thereof.

FIG. 3 is a front view thereof.

FIG. 4 is a rear view thereof.

FIG. 5 is a right side view thereof.

FIG. 6 is a left side view thereof.

FIG. 7 is a perspective view of the inflatable perfusion enhancement structure of FIGS. 1-6 in an inflated state positioned in a first suitable environment; and,

FIG. 8 is a perspective view of the inflatable perfusion enhancement structure of FIGS. 1-6 in an inflated state positioned in a second suitable environment.

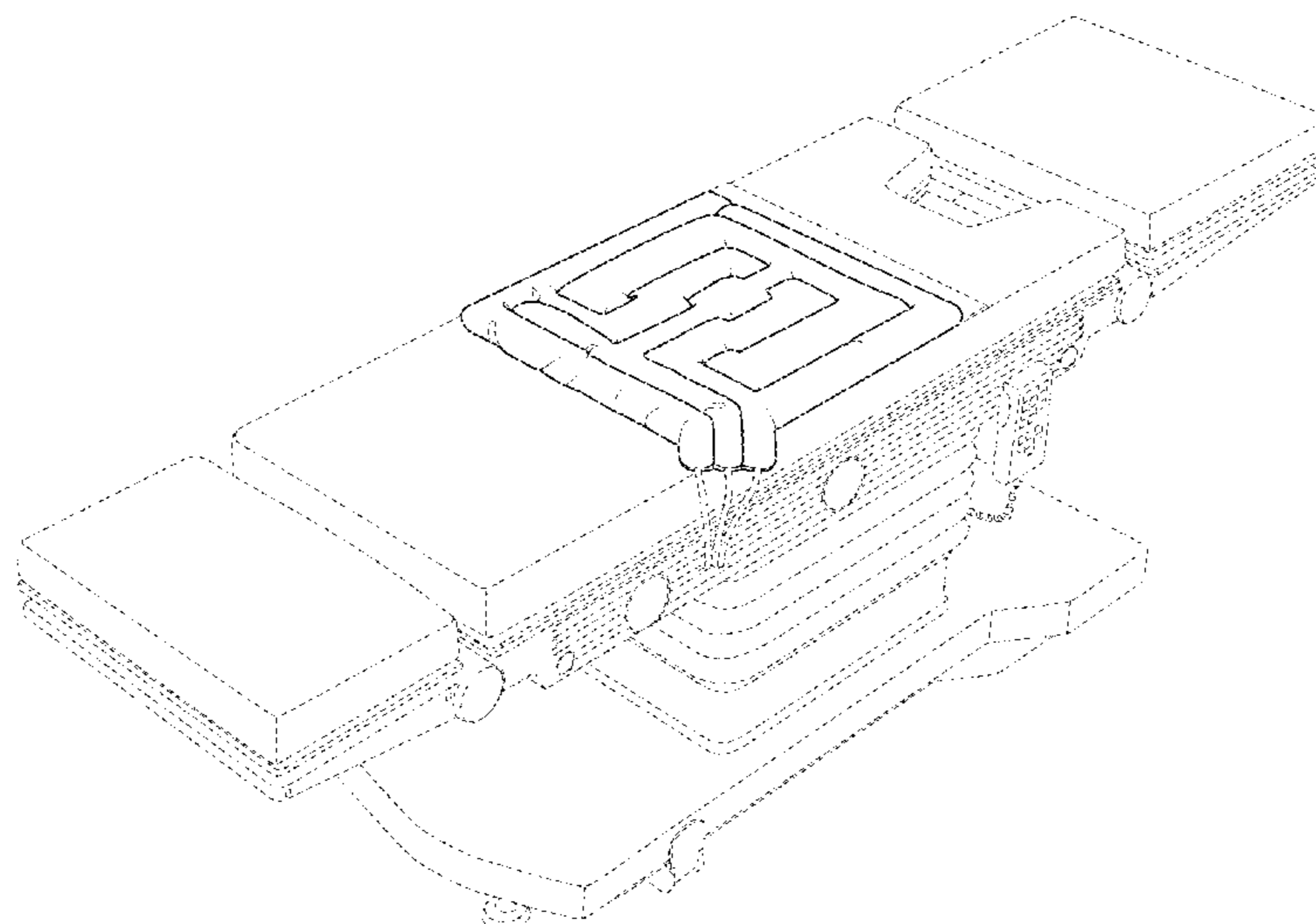
The broken lines in FIGS. 1-6 depict portions of the inflatable perfusion enhancement structure that form no part of the claimed design. The additional broken lines shown in FIGS. 7-8 in the form of a bed and chair, respectively, depict environmental subject matter and form no part of the claimed design.

(56) **References Cited**

**U.S. PATENT DOCUMENTS**

4,175,297 A \* 11/1979 Robbins ..... A61G 7/05776  
5/284  
D375,557 S \* 11/1996 Dixon ..... D24/183

**1 Claim, 6 Drawing Sheets**



(56)

**References Cited**

U.S. PATENT DOCUMENTS

D555,248	S *	11/2007	Rugfelt .....	D24/183
D777,333	S *	1/2017	Souney .....	D24/190
D791,335	S *	7/2017	Buchanan .....	D24/206
D809,715	S *	2/2018	Song .....	D30/118
D855,817	S *	8/2019	Kessler .....	D24/206
D872,282	S *	1/2020	Leier .....	D24/184
D907,780	S *	1/2021	Li .....	D24/184
2007/0174970	A1 *	8/2007	Best .....	A47G 9/1027
				5/644
2018/0263838	A1 *	9/2018	Navy .....	A47C 20/021
2019/0290469	A1 *	9/2019	Squitieri .....	A61F 5/32
2021/0322239	A1 *	10/2021	Squitieri .....	G16H 40/63

\* cited by examiner

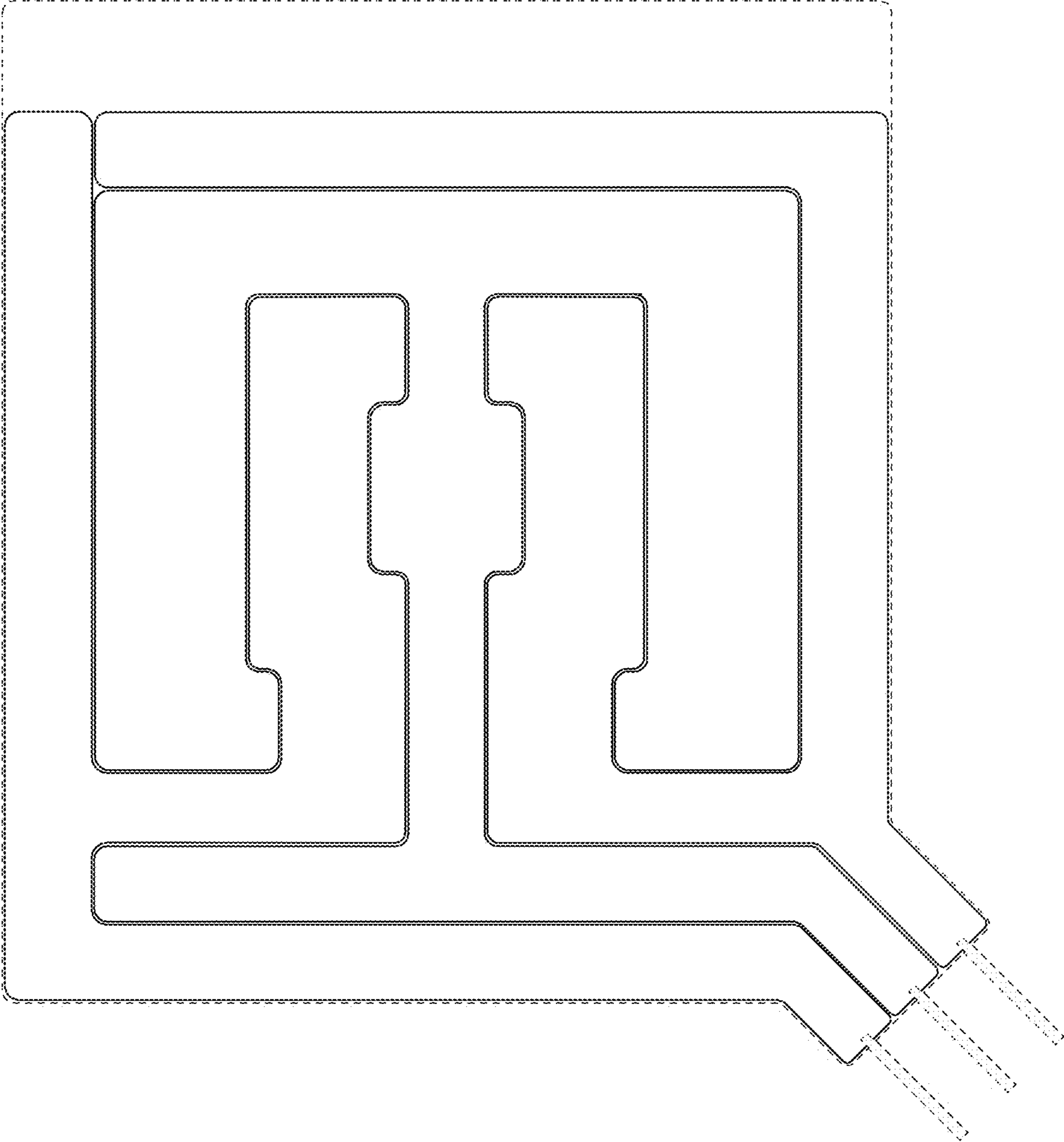


FIG. 1

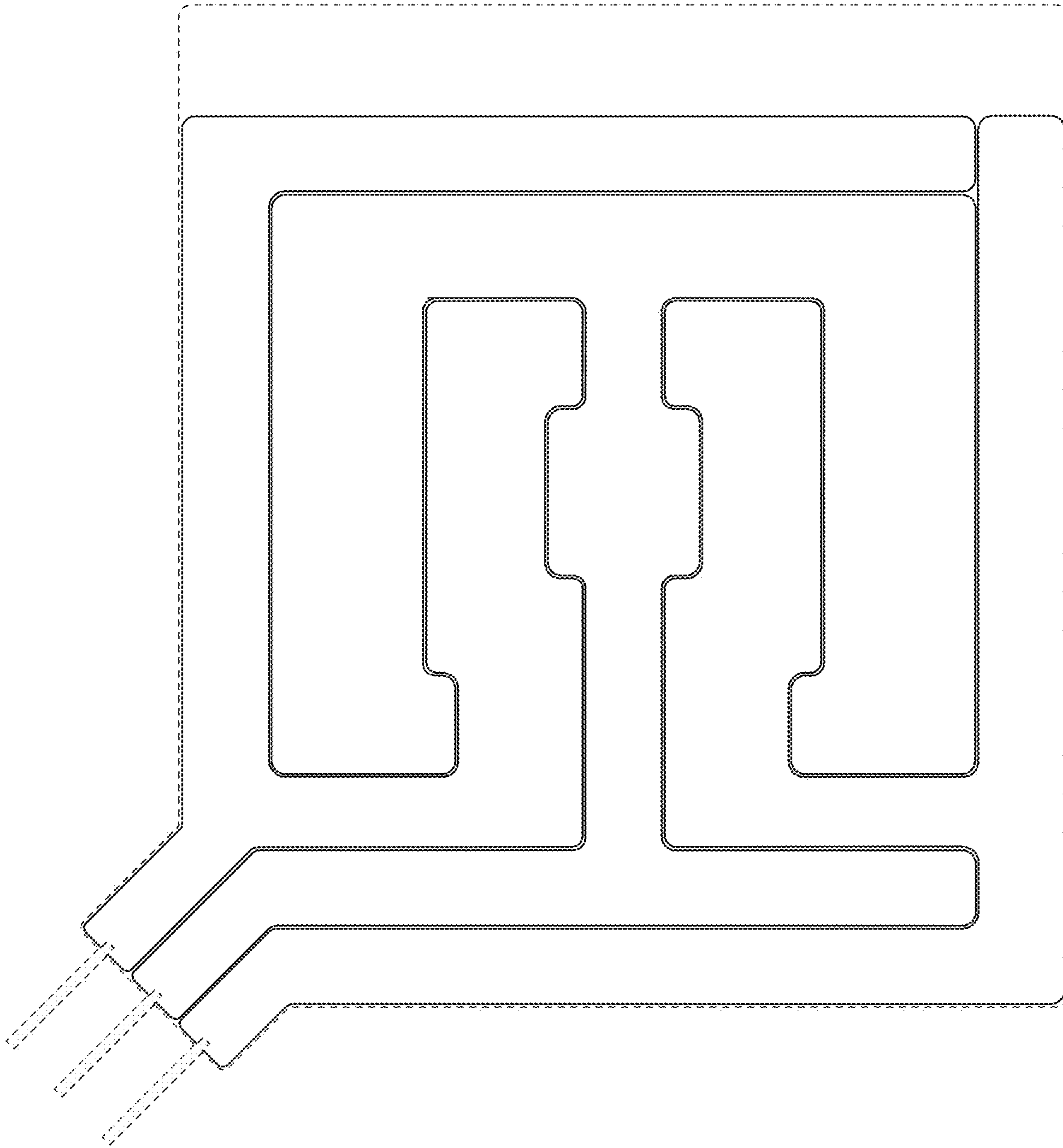


FIG. 2

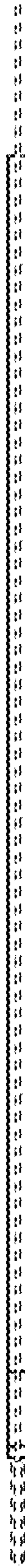


FIG. 3



FIG. 4

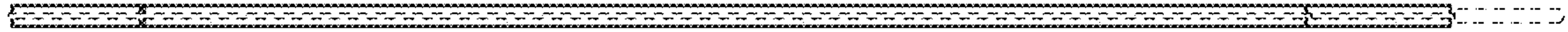


FIG. 5

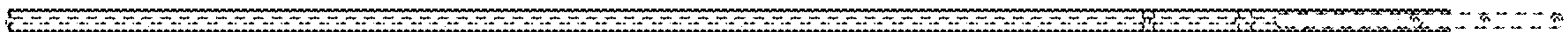


FIG. 6

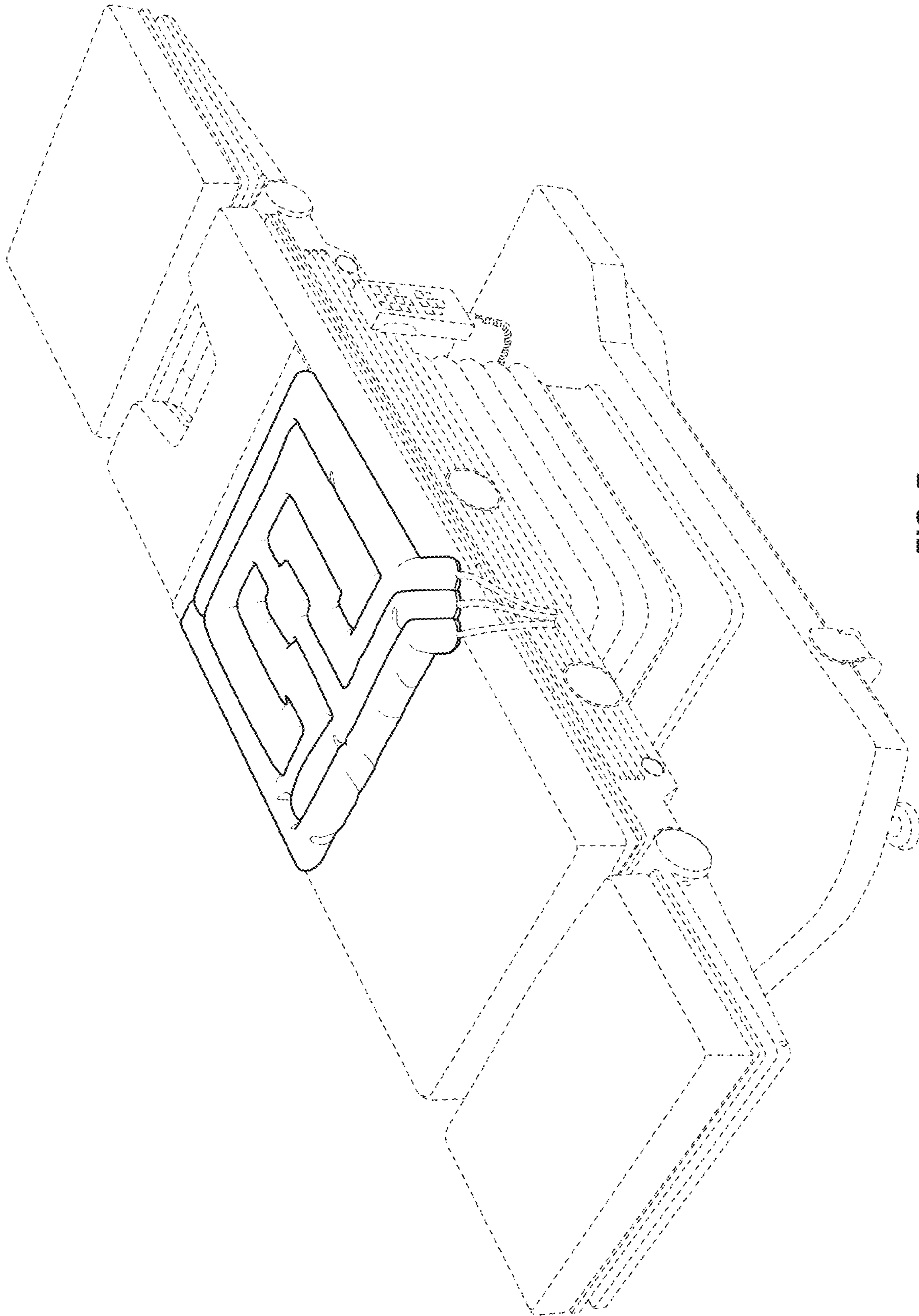


FIG. 7

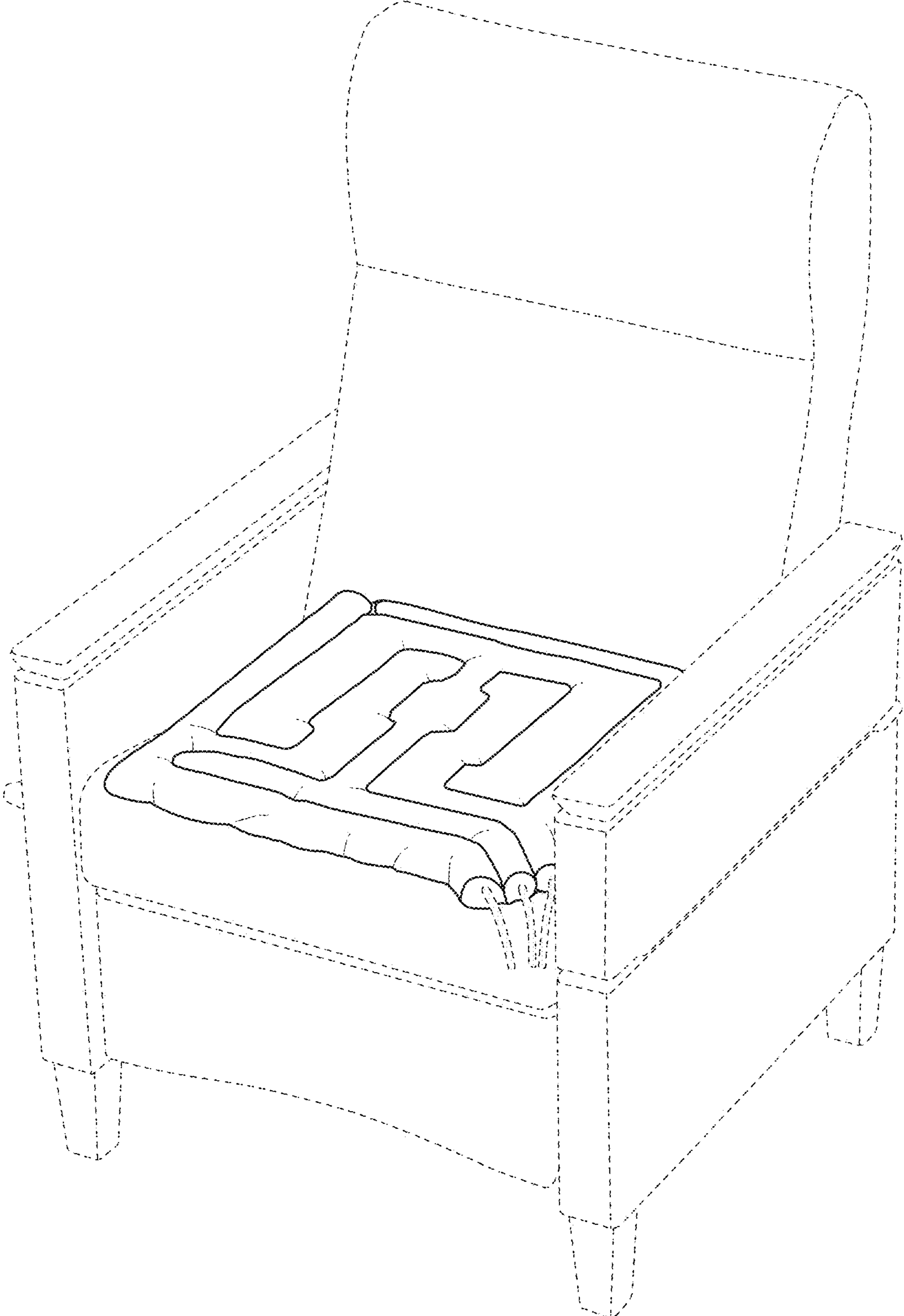


FIG. 8