



US00D956238S

(12) **United States Design Patent**  
**Squitieri et al.**

(10) **Patent No.:** **US D956,238 S**  
(45) **Date of Patent:** **\*\* Jun. 28, 2022**

(54) **INFLATABLE PERFUSION ENHANCEMENT  
STRUCTURE FOR WHEELCHAIRS**

(71) Applicant: **TurnCare, Inc.**, Palo Alto, CA (US)

(72) Inventors: **Rafael Paolo Squitieri**, Wilton, CT (US); **Robert Charles Deutsch**, Oakridge, CA (US); **Steven Bruce Frazier**, Slotasburg, NY (US); **Robert Loiacono**, Young Harris, GA (US); **Linda Seaman**, Bridgeport, CT (US); **Erica Kelly**, Bridgeport, CT (US)

(73) Assignee: **TurnCare, Inc.**, Palo Alto, CA (US)

(\*\*) Term: **15 Years**

(21) Appl. No.: **29/732,108**

(22) Filed: **Apr. 21, 2020**

(51) **LOC (13) Cl.** ..... **24-02**

(52) **U.S. Cl.**  
USPC ..... **D24/184**; D24/171

(58) **Field of Classification Search**  
USPC ..... D24/183, 184, 190–192; D6/595–604;  
D21/803–809

CPC .... A61F 5/0111; A61F 5/0127; A61F 13/066;  
A61F 2/6607; A61F 5/37; A47G 9/10;  
A47G 9/00; A47G 2009/001; A47G  
2009/002; A47G 2009/003; A47G  
2009/005; A47G 2009/006; A47G 9/02;  
A47G 9/0207; A47G 9/0215; A47G  
2009/0276; A47G 9/0284; A47G 9/0292;  
A47C 20/021; A47C 20/023; A47C  
16/00; A47C 20/026; A61G 99/00

See application file for complete search history.

(56) **References Cited**

**U.S. PATENT DOCUMENTS**

4,175,297 A \* 11/1979 Robbins ..... A61G 7/05776  
5/284  
D375,557 S \* 11/1996 Dixon ..... D24/183

D420,846 S \* 2/2000 Voelkert ..... D6/601  
D461,900 S \* 8/2002 Siepmann ..... 5/600  
D496,105 S \* 9/2004 Walters ..... D24/183  
D555,248 S \* 11/2007 Rugfelt ..... D24/183  
D777,333 S \* 1/2017 Souney ..... D24/190

(Continued)

**OTHER PUBLICATIONS**

Guardian System. Online, published date unknown. Retrieved on Dec. 22, 2021 from URL: <https://www.turncare.com/product>.\*

*Primary Examiner* — Omeed Agilee

(74) *Attorney, Agent, or Firm* — Perkins Coie LLP;  
Andrew T. Pettit; Brian Coleman

(57) **CLAIM**

The ornamental design for an inflatable perfusion enhancement structure for wheelchairs, as shown and described.

**DESCRIPTION**

FIG. 1 is a top view of an inflatable perfusion enhancement structure for wheelchairs showing our design in an uninflated state.

FIG. 2 is a bottom view thereof.

FIG. 3 is a front view thereof.

FIG. 4 is a rear view thereof.

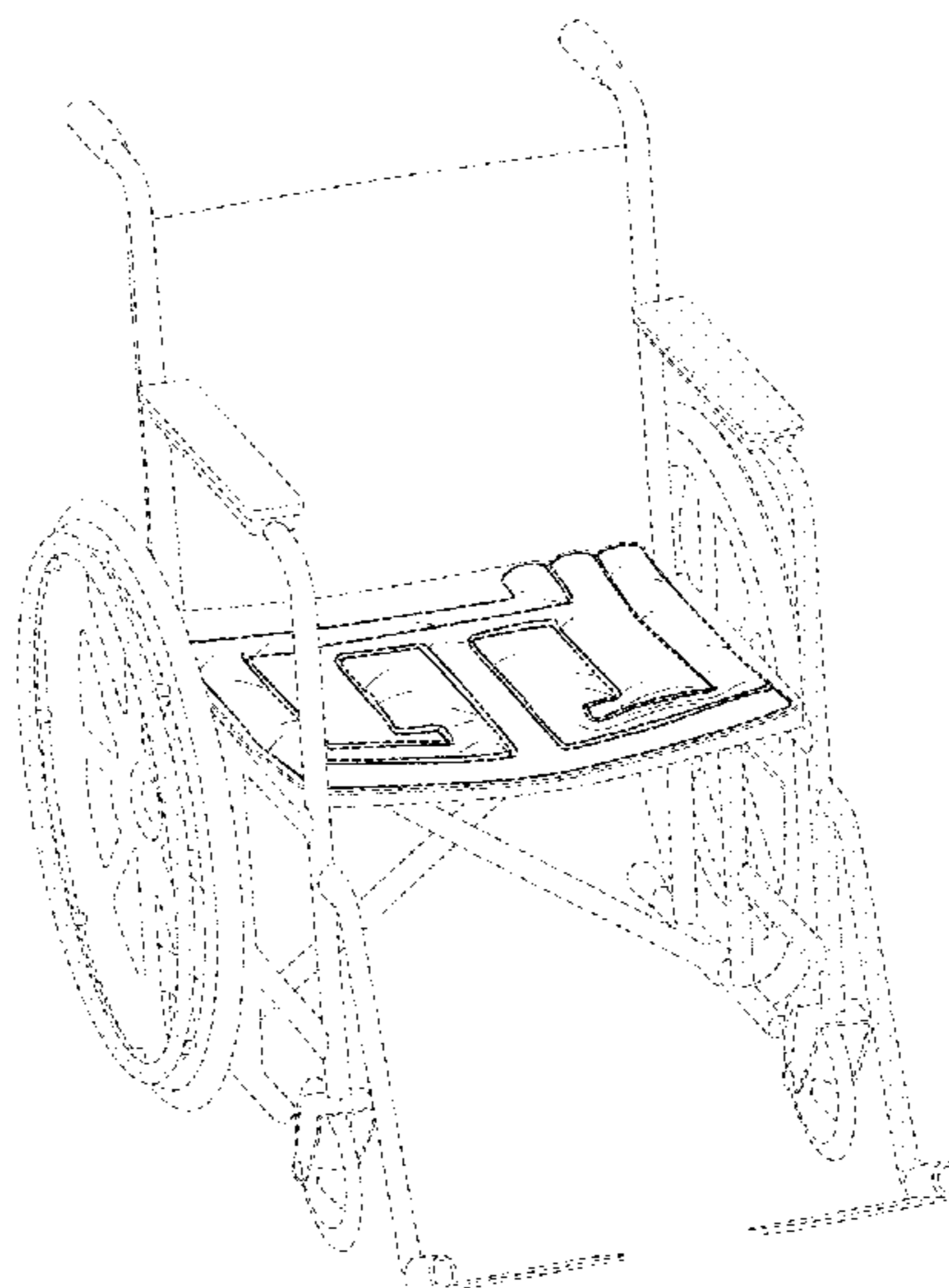
FIG. 5 is a right side view thereof.

FIG. 6 is a left side view thereof; and,

FIG. 7 is a perspective view of the inflatable perfusion enhancement structure for wheelchairs of FIGS. 1-6 in an inflated state positioned in a suitable environment.

The broken lines, the areas within them, and the areas bounded by broken lines and solid lines in FIGS. 1-6 depict portions of the inflatable perfusion enhancement structure for wheelchairs that form no part of the claimed design. The additional broken lines shown in FIG. 7 in the form of a wheelchair depict environmental subject matter and form no part of the claimed design.

**1 Claim, 5 Drawing Sheets**



(56)

**References Cited**

U.S. PATENT DOCUMENTS

D791,335 S \* 7/2017 Buchanan ..... D24/206  
D809,715 S \* 2/2018 Song ..... D30/118  
D855,817 S \* 8/2019 Kessler ..... D24/206  
D872,282 S \* 1/2020 Leier ..... D24/184  
D907,780 S \* 1/2021 Li ..... D24/184  
2007/0174970 A1\* 8/2007 Best ..... A47G 9/1027  
5/644  
2018/0263838 A1\* 9/2018 Navy ..... A47C 20/021  
2019/0290469 A1\* 9/2019 Squitieri ..... A61F 5/32  
2021/0322239 A1\* 10/2021 Squitieri ..... A61B 5/447

\* cited by examiner

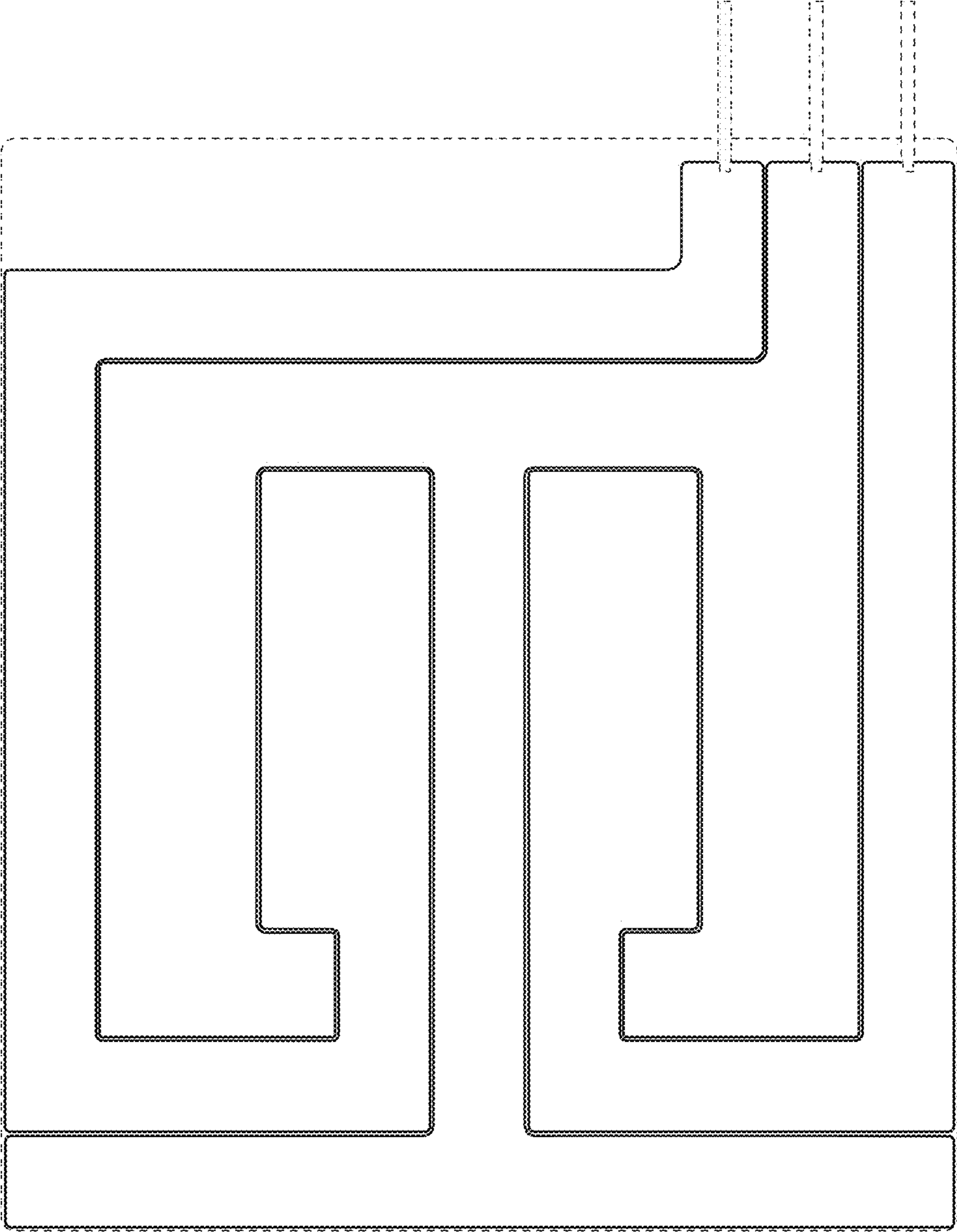


FIG. 1

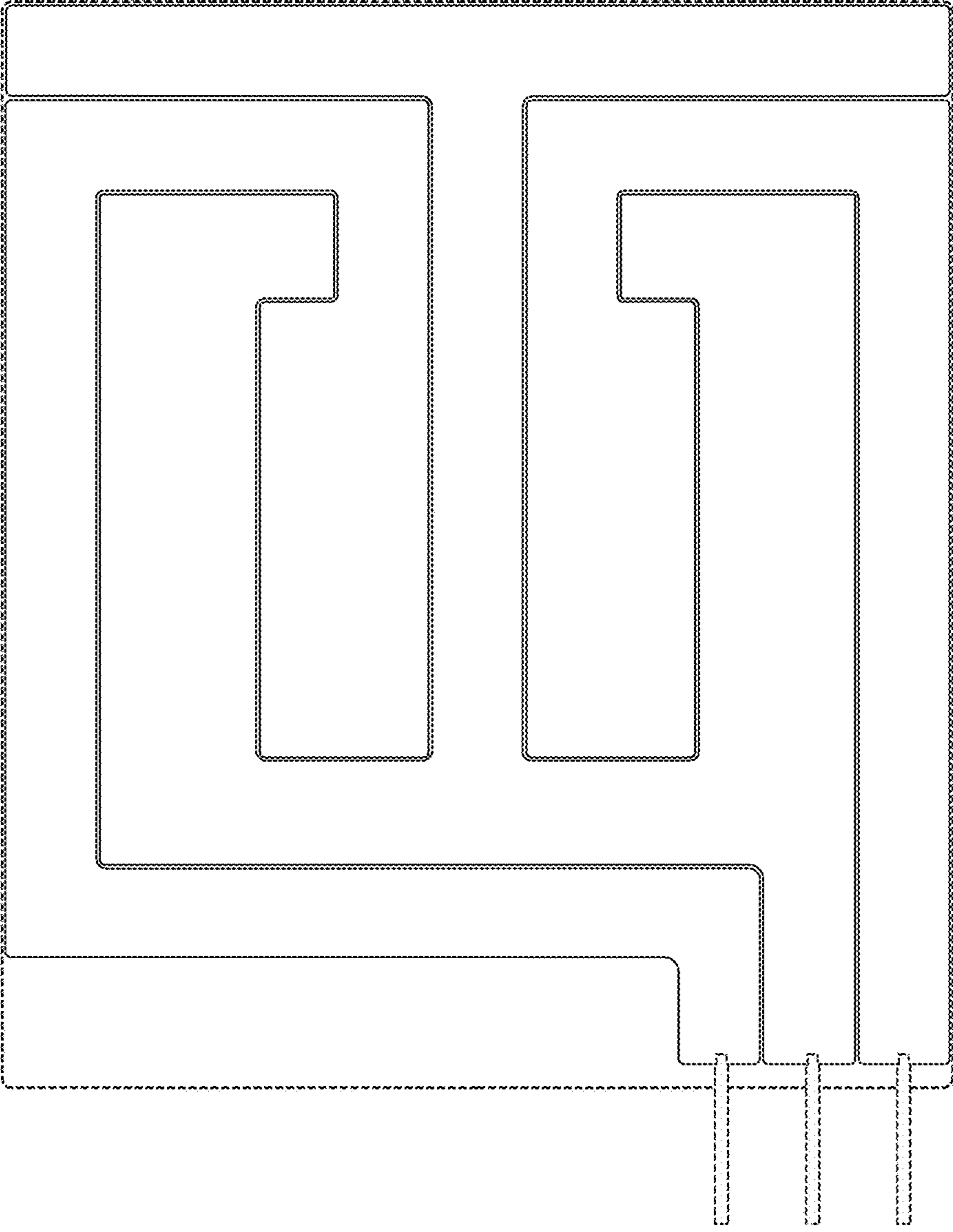


FIG. 2



FIG. 3



FIG. 4



**FIG. 5**



**FIG. 6**

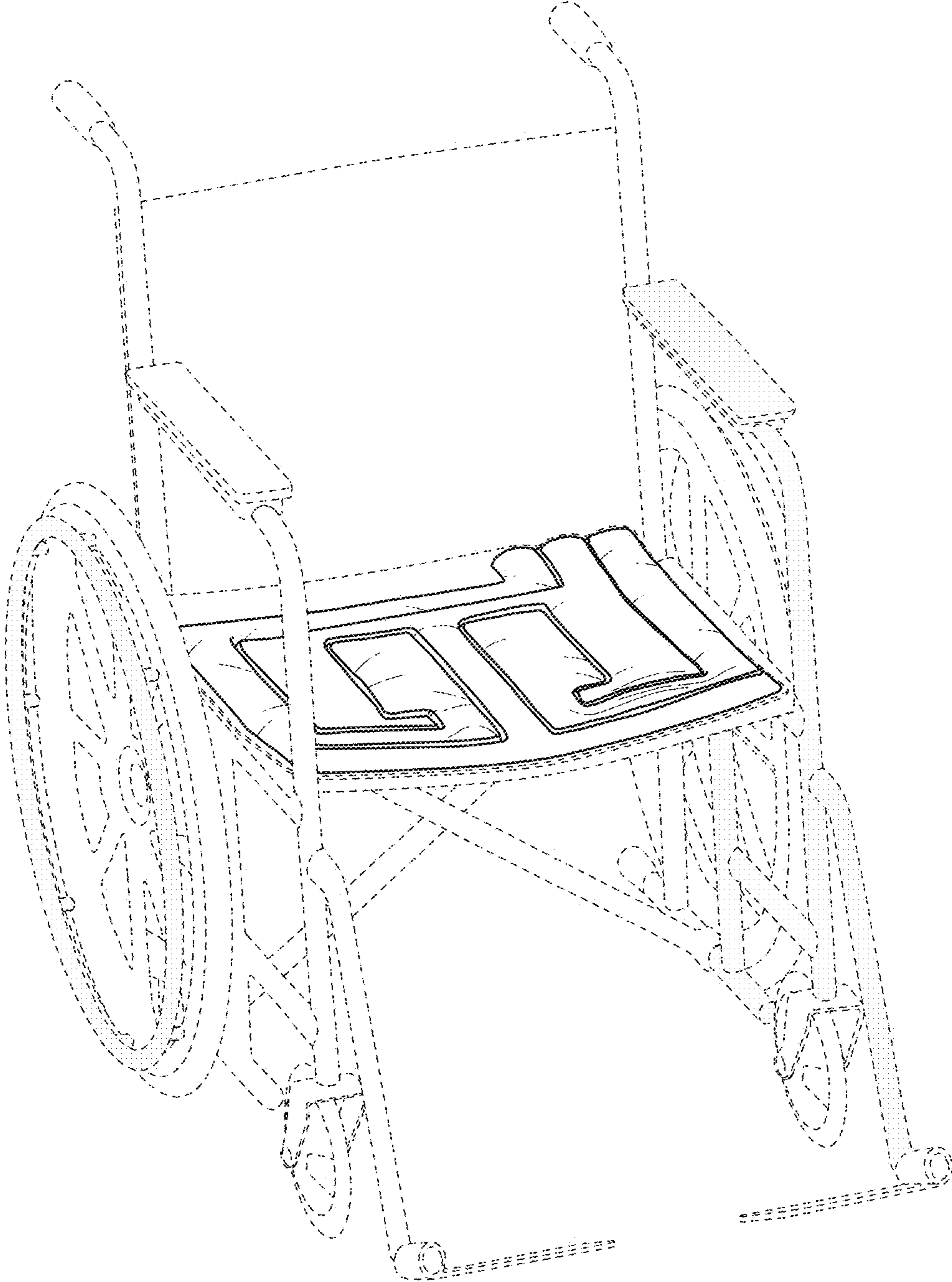


FIG. 7