



US00D956236S

(12) **United States Design Patent**
Chao et al.

(10) **Patent No.:** **US D956,236 S**
(45) **Date of Patent:** **** Jun. 28, 2022**

(54) **SMART WATCH**

(71) Applicants: **Zepp, Inc.**, Cupertino, CA (US); **Anhui Huami Information Technology Co., Ltd.**, Hefei (CN)

(72) Inventors: **Wei Po Chao**, Mountain View, CA (US); **Xiaoyan Sun**, Anhui (CN)

(73) Assignees: **Zepp, Inc.**, Cupertino, CA (US); **Anhui Huami Information Technology Co., Ltd.**, Hefei (CN)

(**) Term: **15 Years**

(21) Appl. No.: **29/698,378**

(22) Filed: **Jul. 16, 2019**

(51) **LOC (13) Cl.** **24-02**

(52) **U.S. Cl.**
USPC **D24/167**; D10/30; D10/38

(58) **Field of Classification Search**
USPC D24/107, 144, 164–168, 186; D10/30, D10/31, 32, 37, 38, 39, 70, 98; D14/217, D14/344

CPC A61B 5/0402; A61B 5/021; A61B 5/024; A61B 5/81; A61B 5/22; A61B 5/0225; A61B 5/681; A61B 5/0008; A61B 5/02141; A61B 5/742; A61B 2650/00; A61B 2650/0443; A61B 2650/0406

See application file for complete search history.

(56) **References Cited**

U.S. PATENT DOCUMENTS

D251,055 S *	2/1979	Sulek	D10/38
D394,817 S *	6/1998	Roales	D10/30
D447,063 S *	8/2001	Scheufele	D10/30
D642,939 S *	8/2011	Enomoto	D10/38
D652,325 S *	1/2012	Ahlstrom	D10/38
D679,201 S *	4/2013	Jacquerye	D10/39
D690,211 S *	9/2013	Sugiura	D10/38

D694,655 S *	12/2013	Rufenacht	D10/38
D701,465 S *	3/2014	Ganz	D10/38
D719,467 S *	12/2014	Bradbury	D10/32
D743,282 S *	11/2015	Park	D10/70
D772,868 S *	11/2016	Park	D14/344
D773,458 S *	12/2016	Park	D14/344
D773,944 S *	12/2016	Wang	D10/70

(Continued)

Primary Examiner — Clint A Samuel

(74) *Attorney, Agent, or Firm* — Young Basile Hanlon & MacFarlane, P.C.

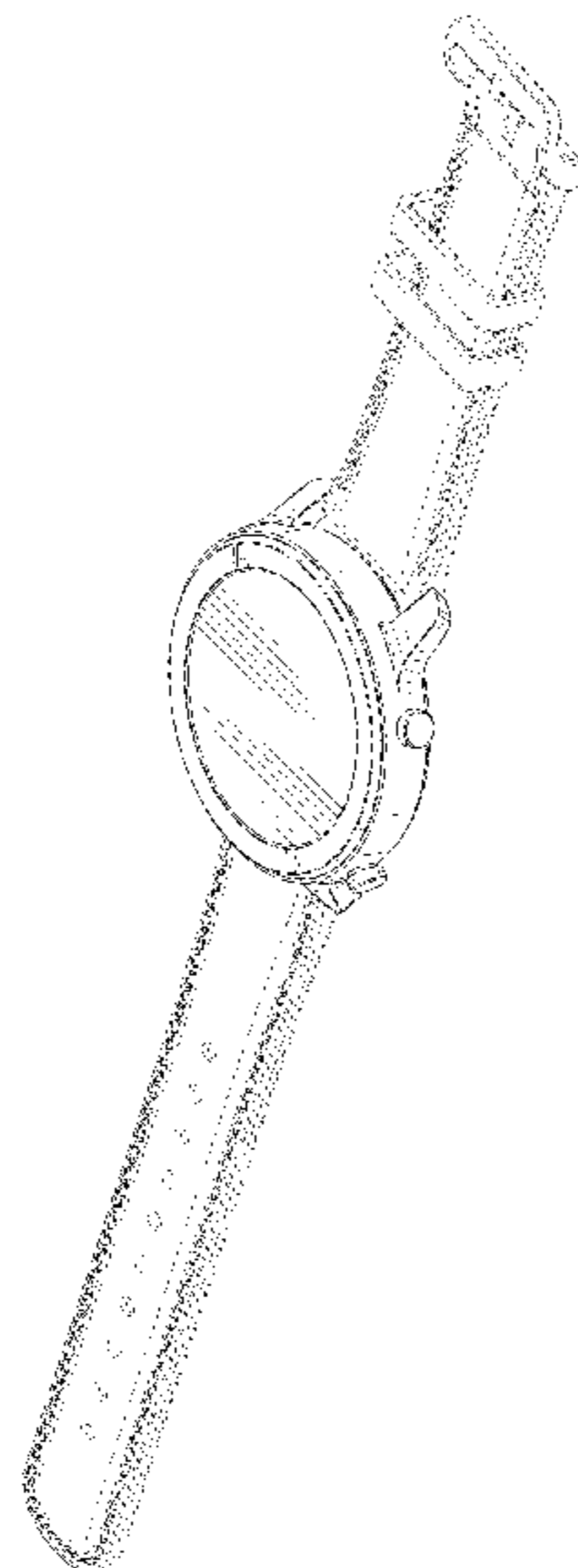
(57) **CLAIM**

The ornamental design for a smart watch, as shown and described.

DESCRIPTION

FIG. 1 is a top, front, and right perspective view of a first embodiment of the smart watch showing our new design. FIG. 2 is a front view of the smart watch of FIG. 1. FIG. 3 is a rear view of the smart watch of FIG. 1. FIG. 4 is a left side view of the smart watch of FIG. 1. FIG. 5 is a right side view of the smart watch of FIG. 1. FIG. 6 is an enlarged top view of the smart watch of FIG. 1. FIG. 7 is an enlarged bottom view of the smart watch of FIG. 1. FIG. 8 is a bottom, front, and right perspective view of a second embodiment of the smart watch. FIG. 9 is a front view of the smart watch of FIG. 8. FIG. 10 is a rear view of the smart watch of FIG. 8. FIG. 11 is a top view of the smart watch of FIG. 8. FIG. 12 is a bottom view of the smart watch of FIG. 8. FIG. 13 is a right side view of the smart watch of FIG. 8; and, FIG. 14 is a left side view of the smart watch of FIG. 8. The ornamental design which is claimed is shown in solid lines in the drawings. The broken lines in FIGS. 1-7 and 10 illustrate the environment and form no part of the claimed design.

1 Claim, 8 Drawing Sheets



(56)

References Cited

U.S. PATENT DOCUMENTS

D775,973 S * 1/2017 Kamata D10/38
D784,327 S * 4/2017 Akana D14/344
D789,542 S * 6/2017 Lillquist D24/167
D815,548 S * 4/2018 Pillot D10/38
D823,853 S * 7/2018 Yoshimoto D14/344
D848,864 S * 5/2019 Mockler D10/30
D857,010 S * 8/2019 Choi D14/344
D858,311 S * 9/2019 Zhang D10/30
D867,179 S * 11/2019 Akana D10/70
D900,644 S * 11/2020 Register D10/38
D900,645 S * 11/2020 Henne D10/38
D901,493 S * 11/2020 Gao D14/344
D905,687 S * 12/2020 Cho D14/344
D909,369 S * 2/2021 Wu D14/344
D910,616 S * 2/2021 Oh D14/344
D912,540 S * 3/2021 Connor D10/38
D912,542 S * 3/2021 Moilanen D10/38
D923,004 S * 6/2021 Gao D14/344
D927,991 S * 8/2021 Ide D10/38
D933,065 S * 10/2021 Hong D14/344
2020/0323444 A1 * 10/2020 Hamaguchi A61B 5/0235

* cited by examiner

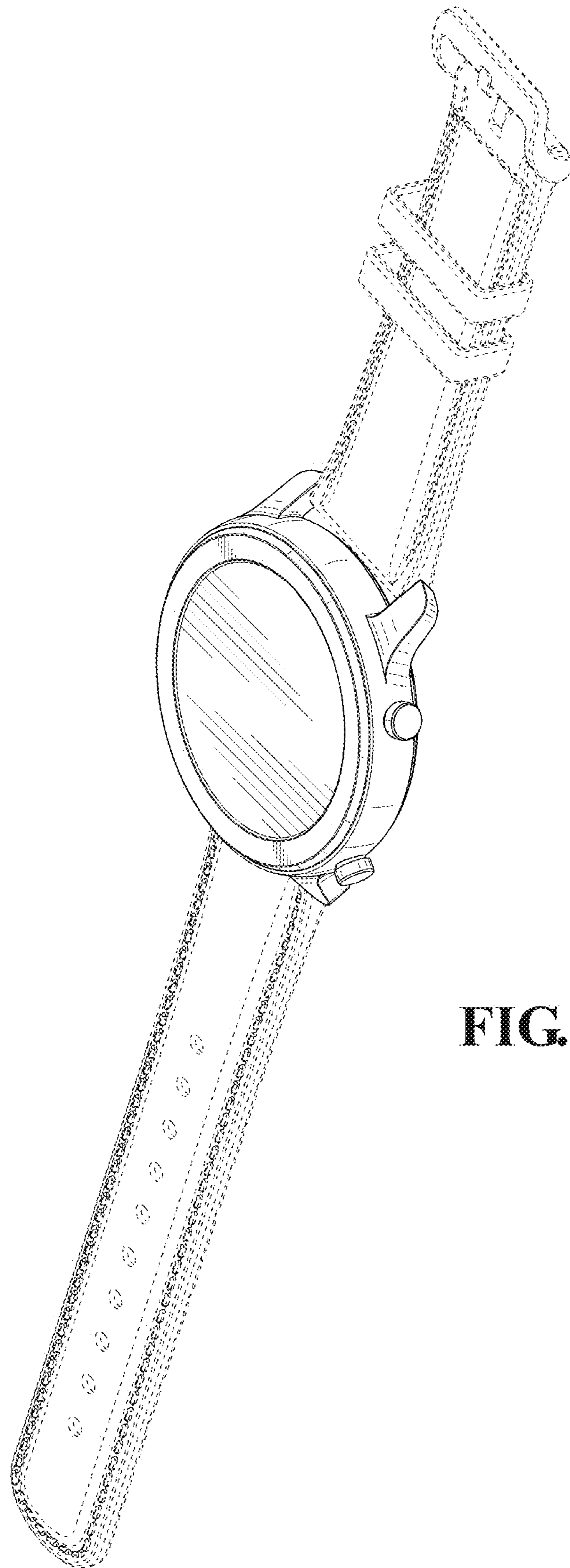


FIG. 1

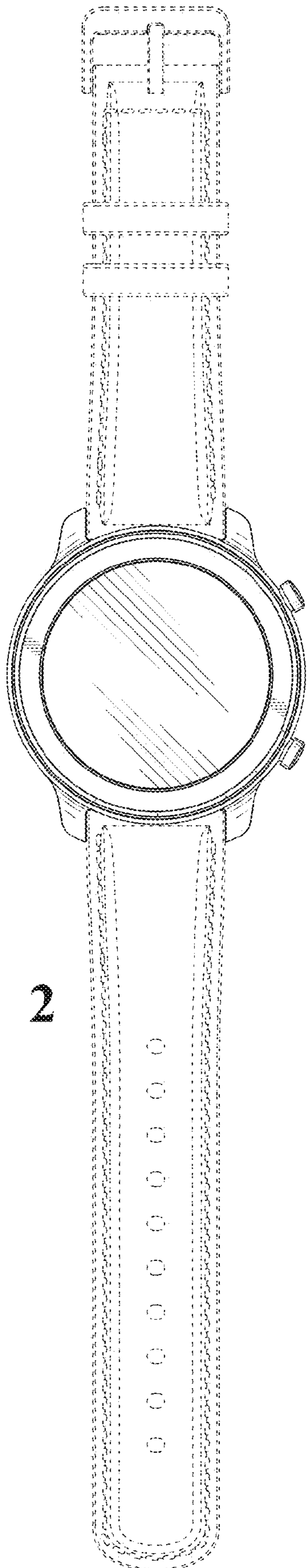


FIG. 2

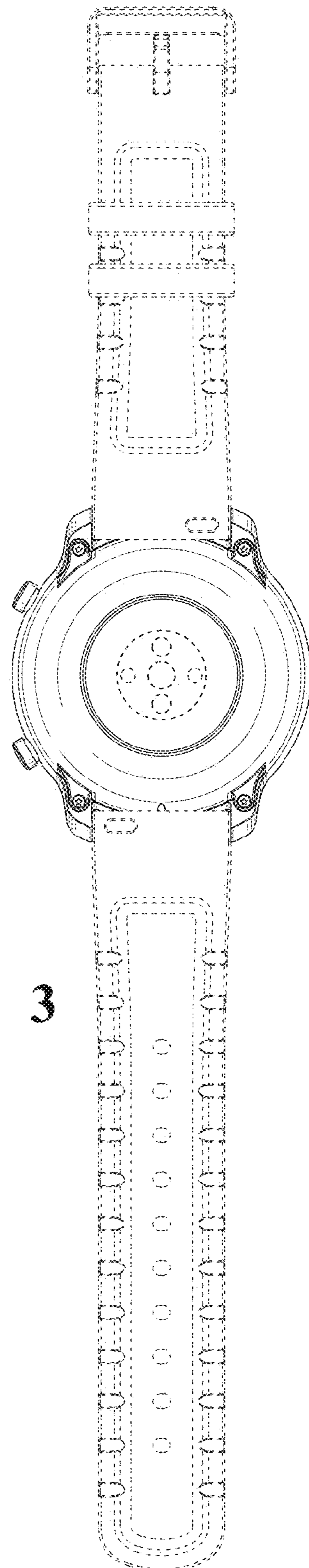


FIG. 3

FIG. 4

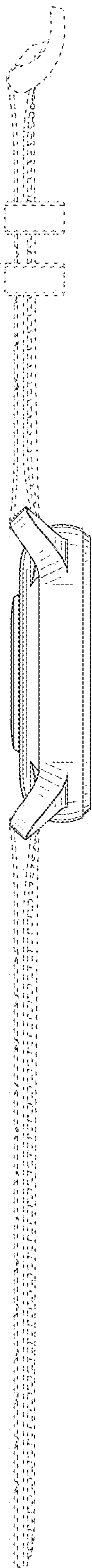
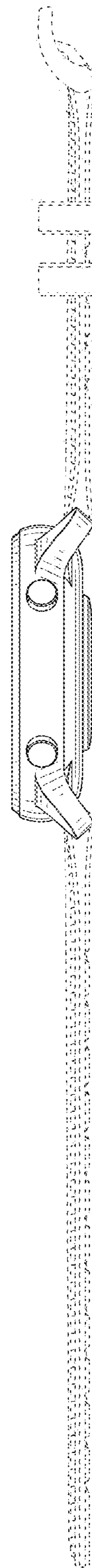


FIG. 5



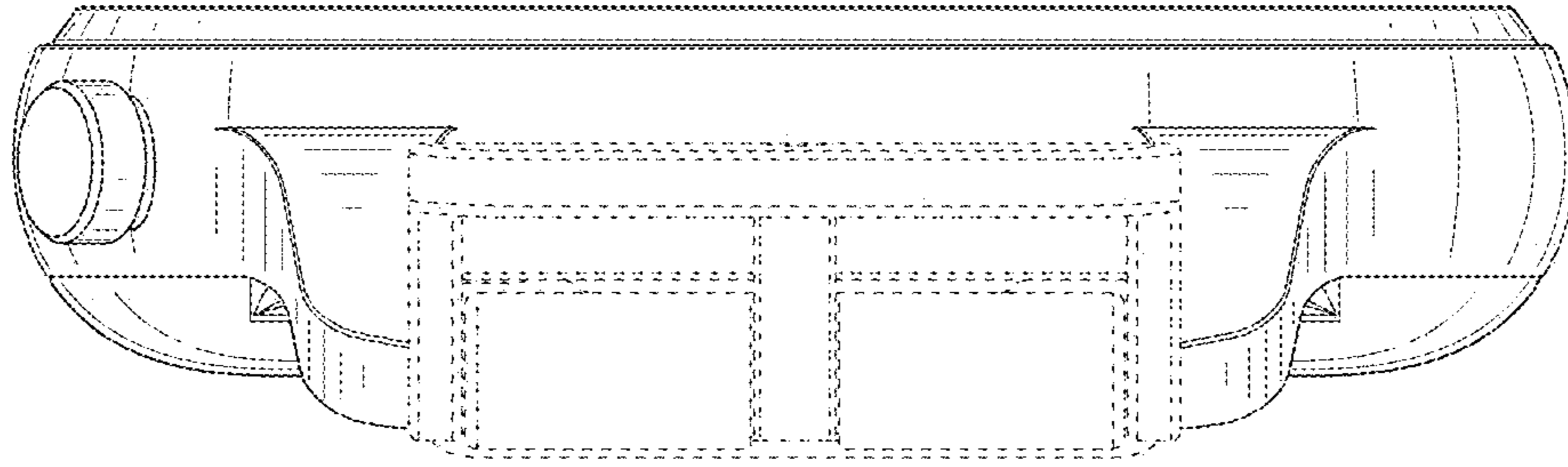


FIG. 6

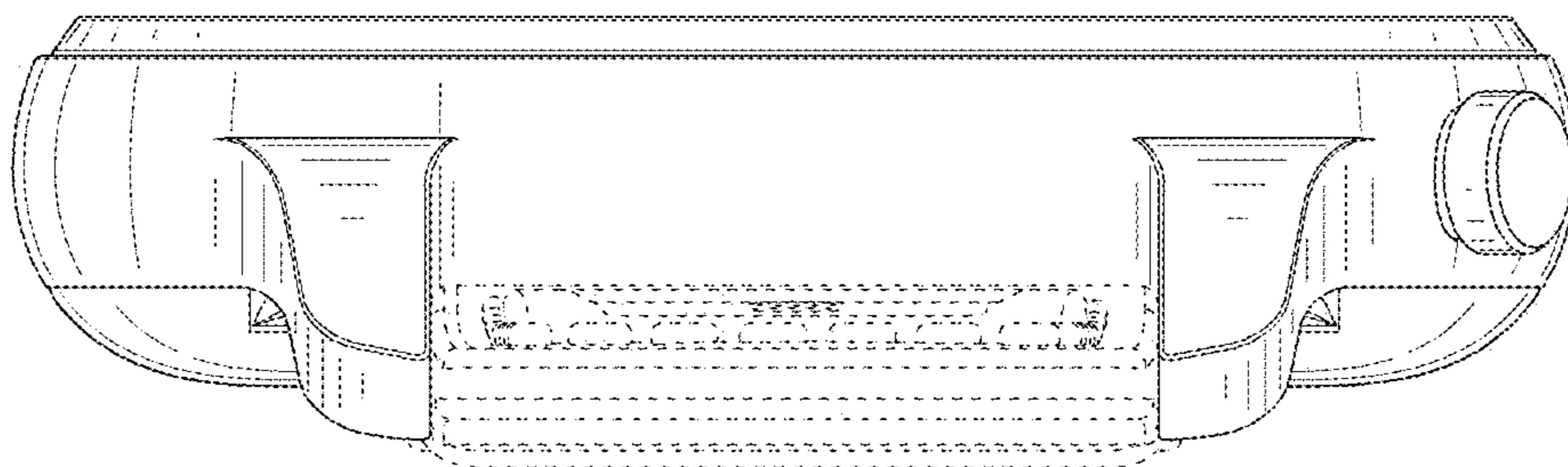


FIG. 7

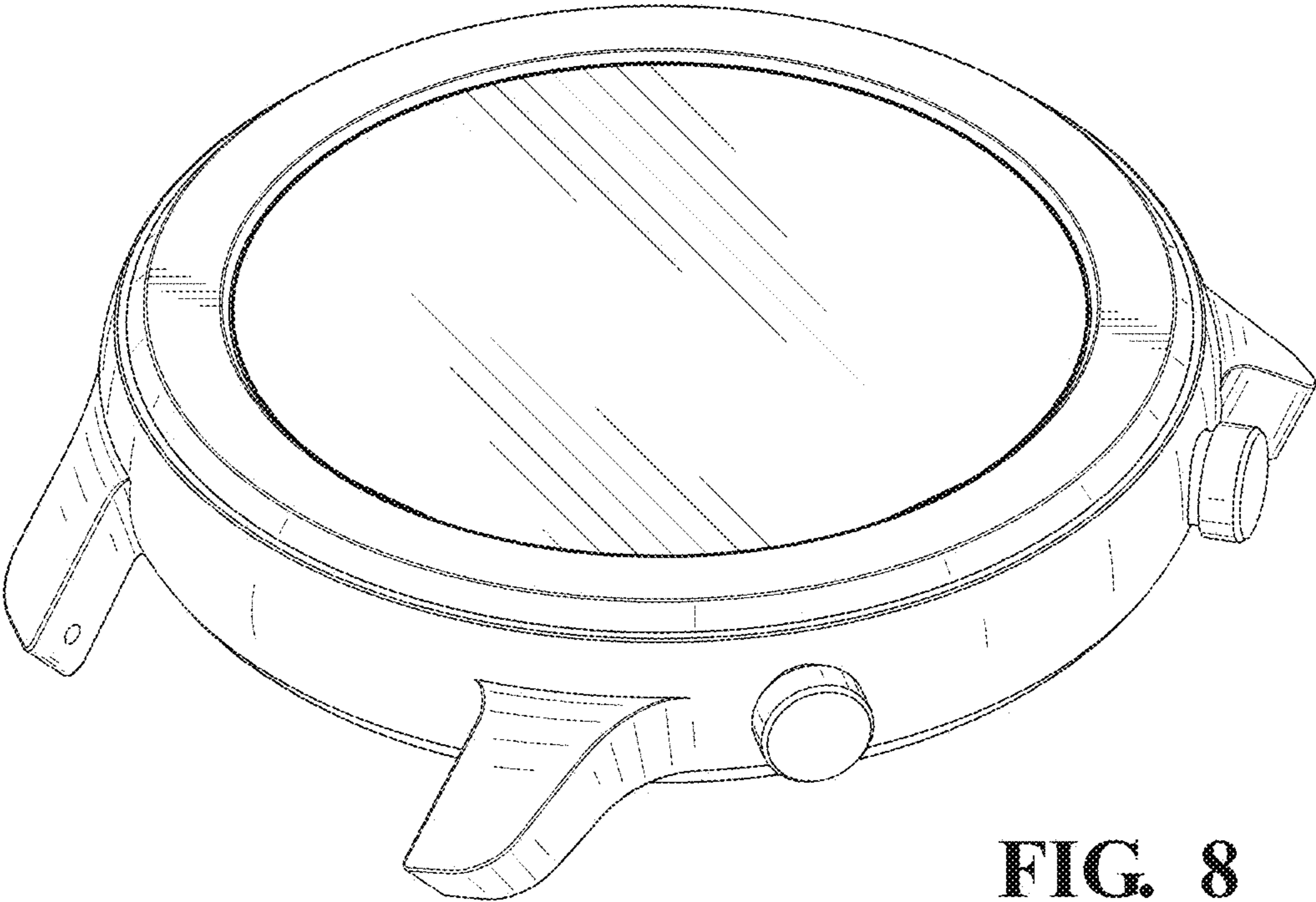


FIG. 8

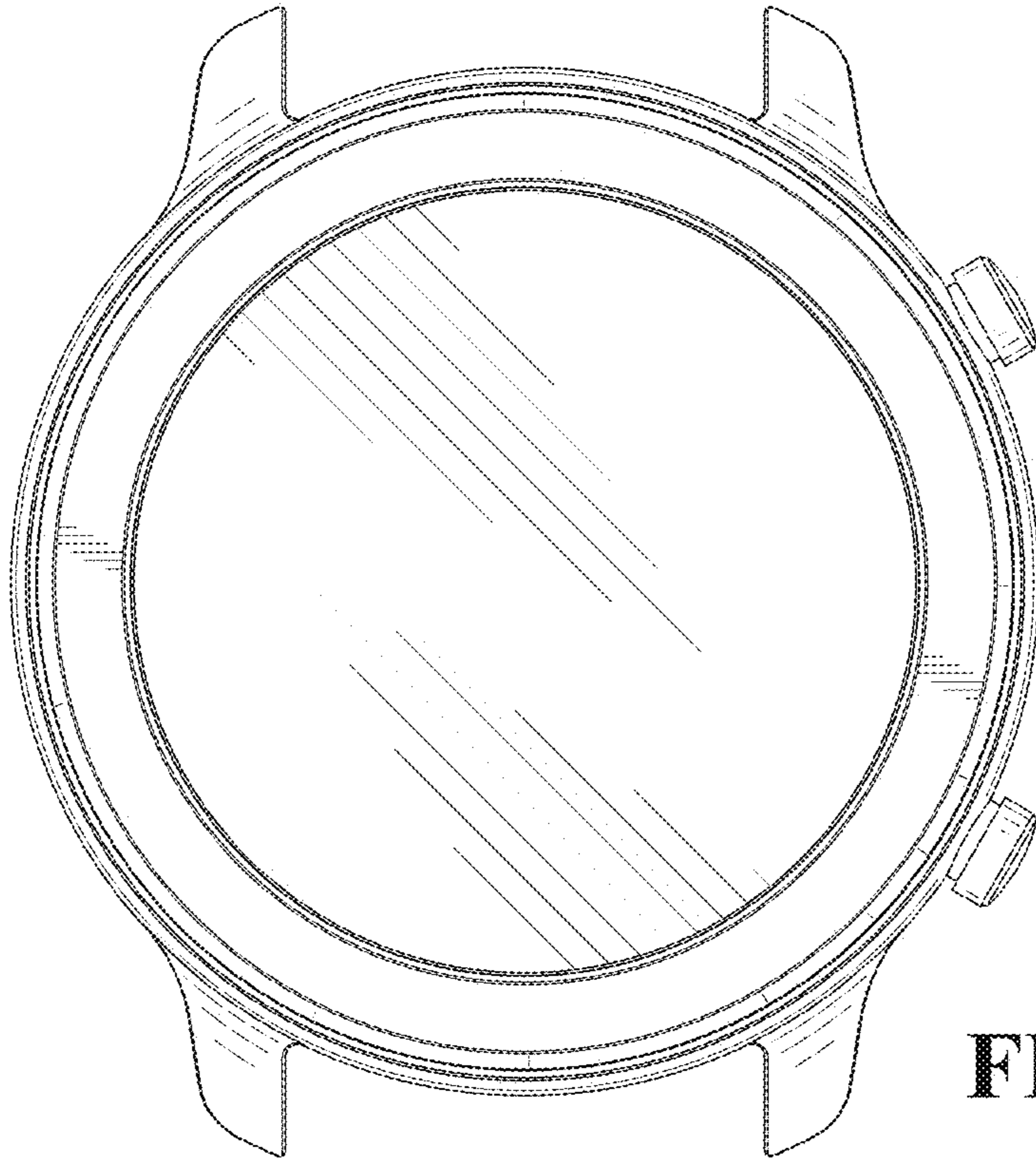


FIG. 9

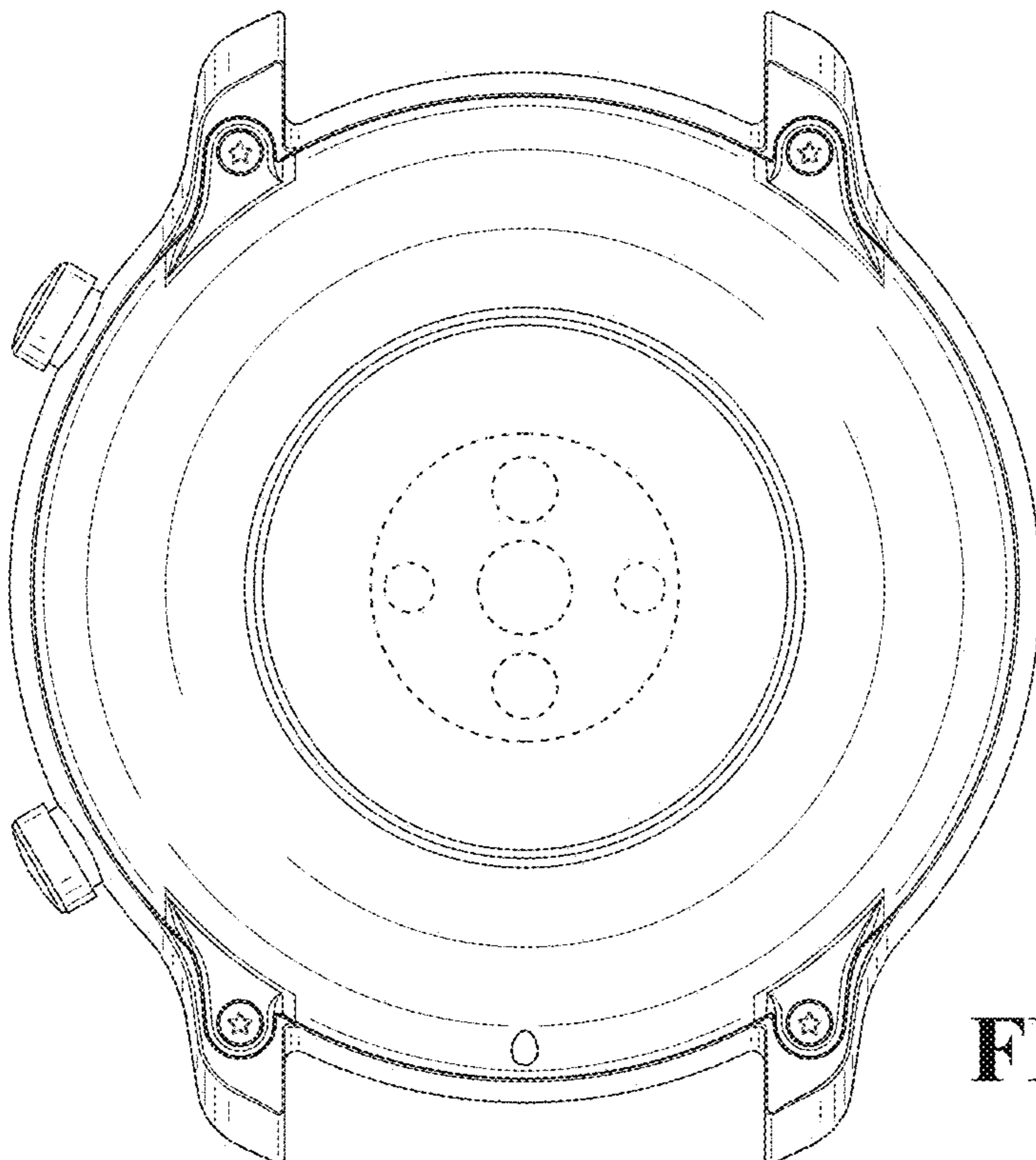


FIG. 10

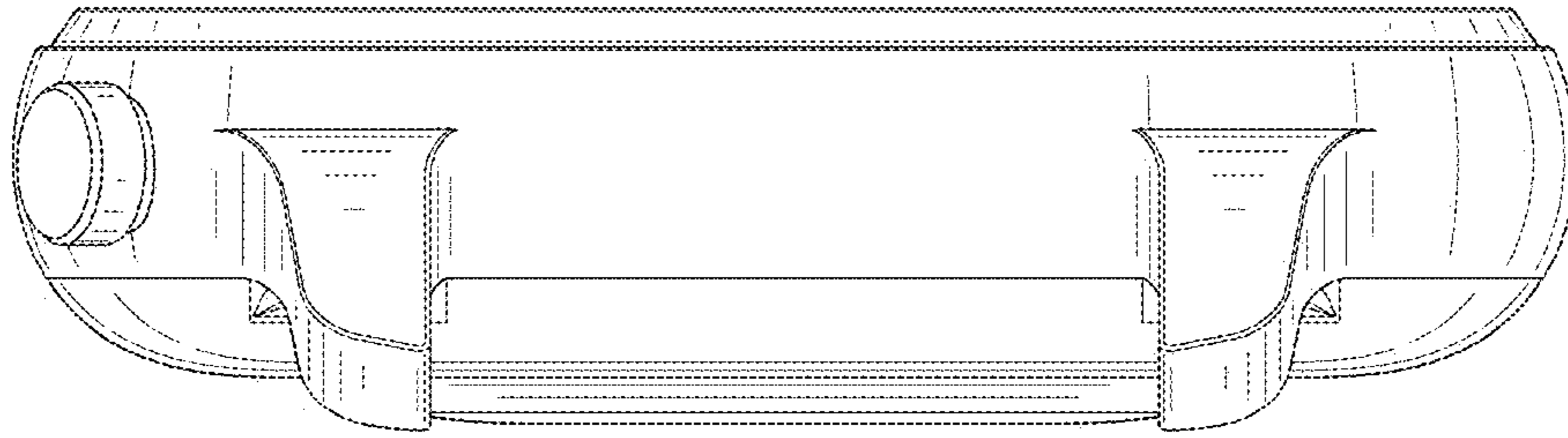


FIG. 11

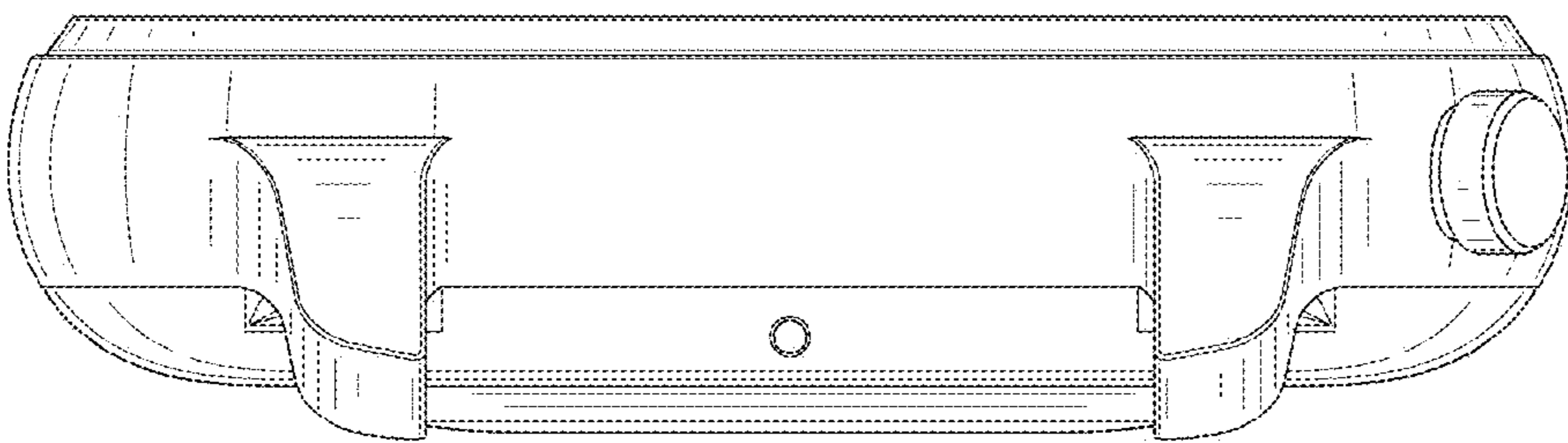


FIG. 12

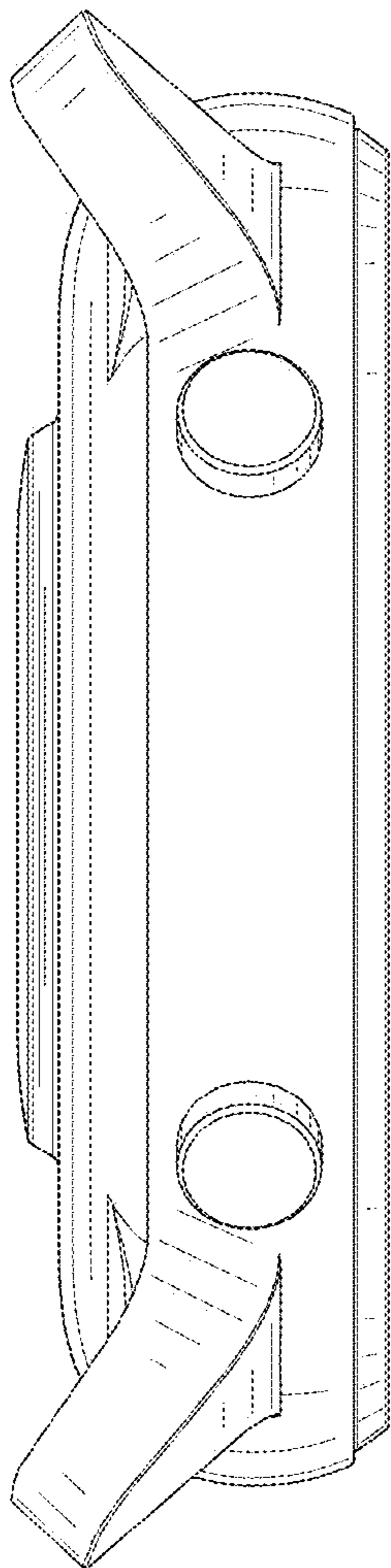


FIG. 13

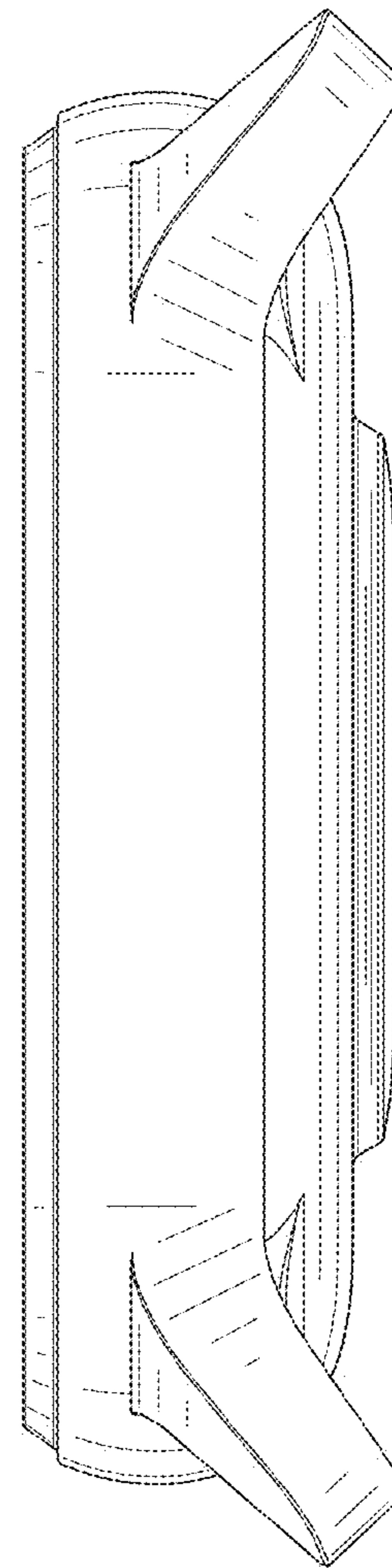


FIG. 14