



US00D956235S

(12) **United States Design Patent**
Personnelli

(10) **Patent No.:** **US D956,235 S**
(45) **Date of Patent:** **** Jun. 28, 2022**

(54) **IMAGING APPARATUS**

(71) Applicant: **GE Precision Healthcare LLC**,
Milwaukee, WI (US)

(72) Inventor: **Regis Gerard Personnelli**, Bois d'Arcy
(FR)

(73) Assignee: **GE Precision Healthcare LLC**,
Milwaukee, WI (US)

(**) Term: **15 Years**

(21) Appl. No.: **29/757,140**

(22) Filed: **Nov. 3, 2020**

(51) **LOC (13) Cl.** **24-01**

(52) **U.S. Cl.**
USPC **D24/158**

(58) **Field of Classification Search**
USPC D24/107, 158-161, 185, 186
CPC .. A61B 6/03; A61B 6/035; A61B 5/05; A61B
5/055

See application file for complete search history.

(56) **References Cited**

U.S. PATENT DOCUMENTS

D715,945 S	*	10/2014	Zhang	D24/159
D785,180 S	*	4/2017	Avranches	D24/158
D794,799 S	*	8/2017	Achleitner	D24/158
D818,126 S	*	5/2018	Personnelli	D24/158
D864,393 S	*	10/2019	Chang	D24/158
D868,972 S	*	12/2019	Maciejewski	D24/158
D887,004 S	*	6/2020	Chang	D24/158
D898,916 S	*	10/2020	Personnelli	D24/158

10,921,395 B2	*	2/2021	Foo	A61B 5/0035
D931,463 S	*	9/2021	Achleitner	D24/158
D940,868 S	*	1/2022	Achleitner	D24/158
D940,869 S	*	1/2022	Guegel-Wild	D24/158

FOREIGN PATENT DOCUMENTS

CN 201930623387.X * 11/2019

* cited by examiner

Primary Examiner — Anhdao Doan

(74) *Attorney, Agent, or Firm* — McCoy Russell LLP

(57) **CLAIM**

The ornamental design for an imaging apparatus, as shown and described.

DESCRIPTION

FIG. 1 is a front-left perspective view of an imaging apparatus according to the claimed design.

FIG. 2 is a front-right perspective view of the imaging apparatus.

FIG. 3 is a rear-right perspective view of the imaging apparatus.

FIG. 4 is a rear-left perspective view of the imaging apparatus.

FIG. 5 is a front view of the imaging apparatus.

FIG. 6 is a rear view of the imaging apparatus.

FIG. 7 is a right side view of the imaging apparatus.

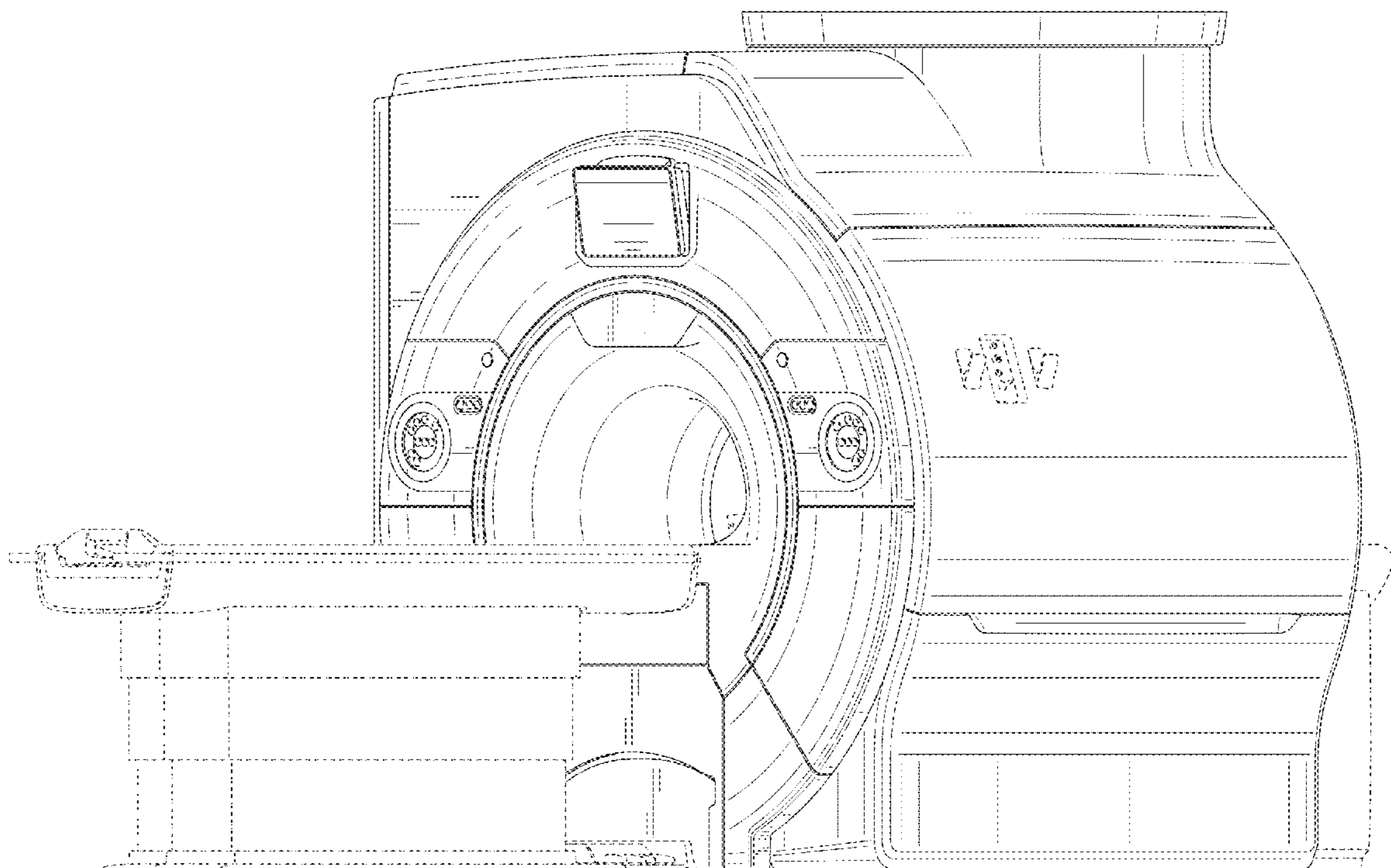
FIG. 8 is a left side view of the imaging apparatus.

FIG. 9 is a top view of the imaging apparatus; and,

FIG. 10 is a bottom view of the imaging apparatus.

The broken lines in the drawings indicate portions of the imaging apparatus that form no part of the claimed design.

1 Claim, 10 Drawing Sheets



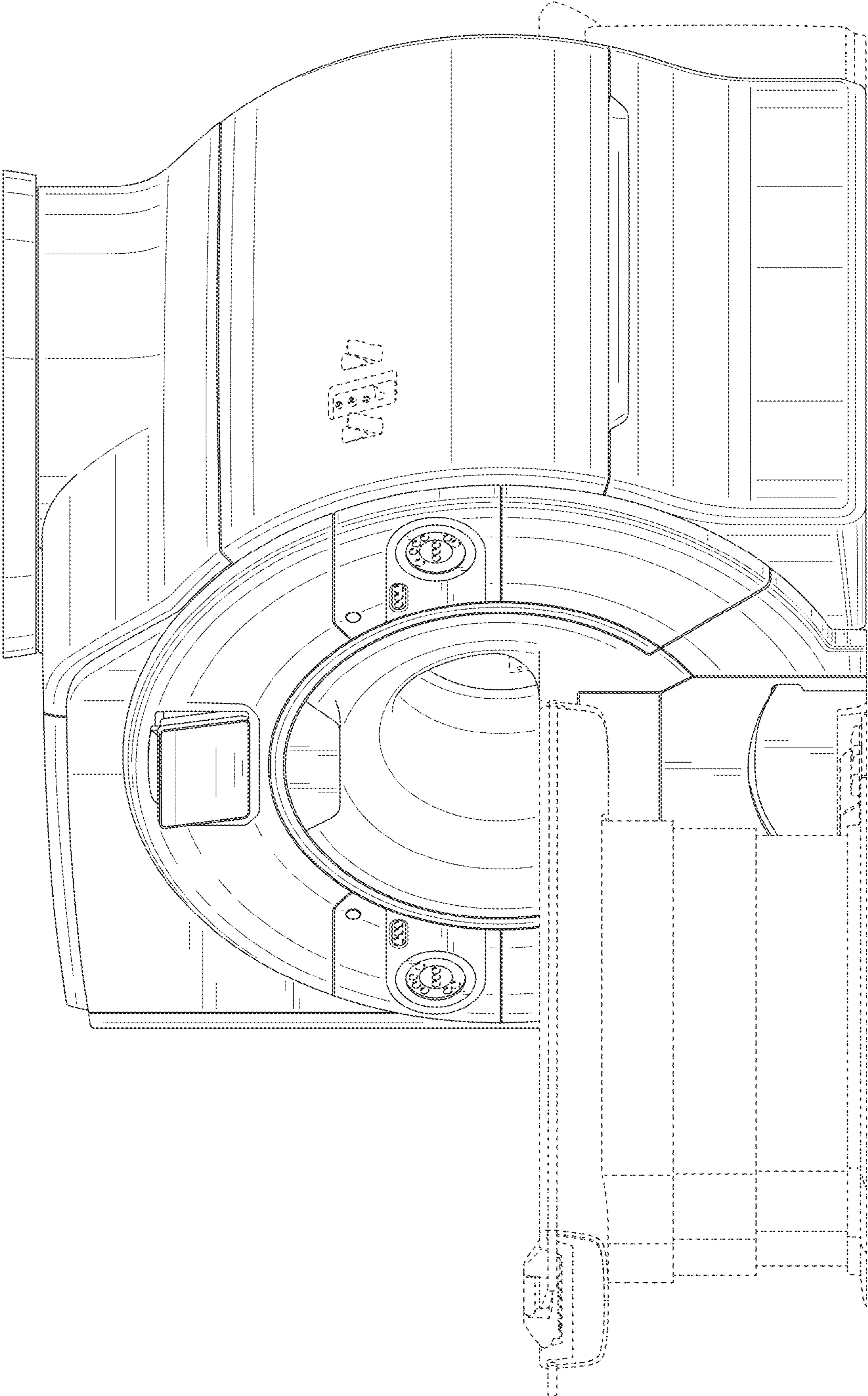


FIG. 1

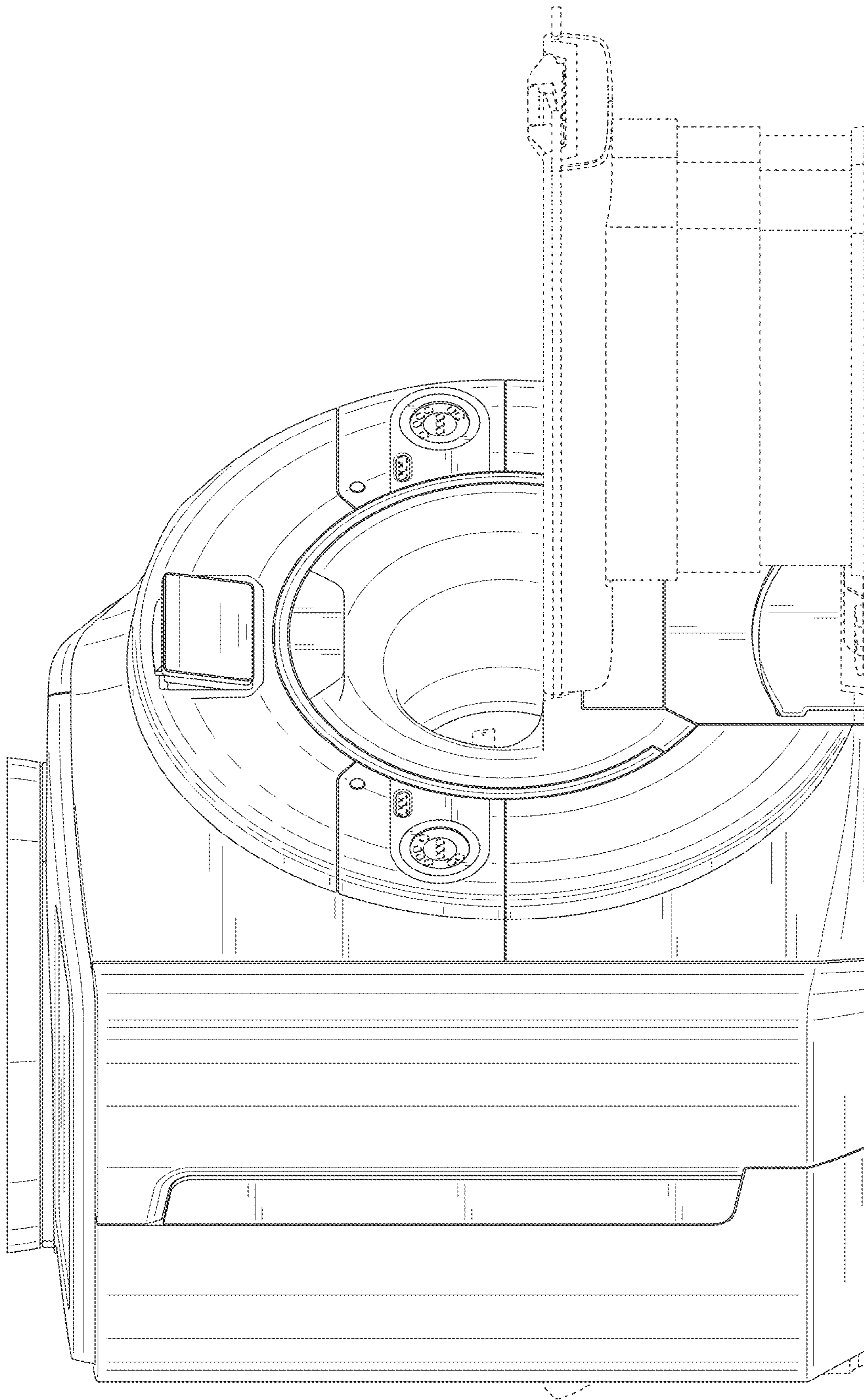


FIG. 2

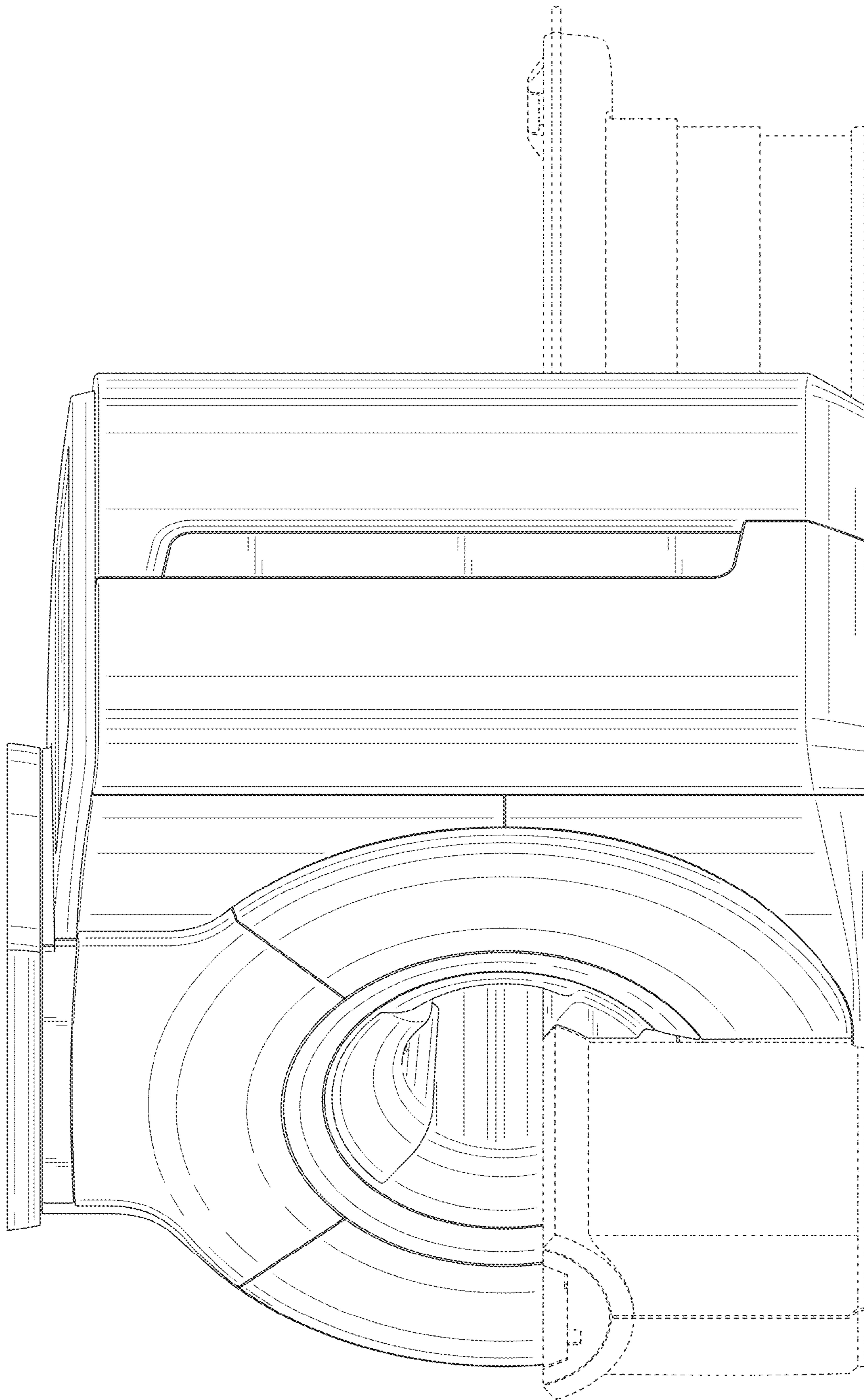


FIG. 3

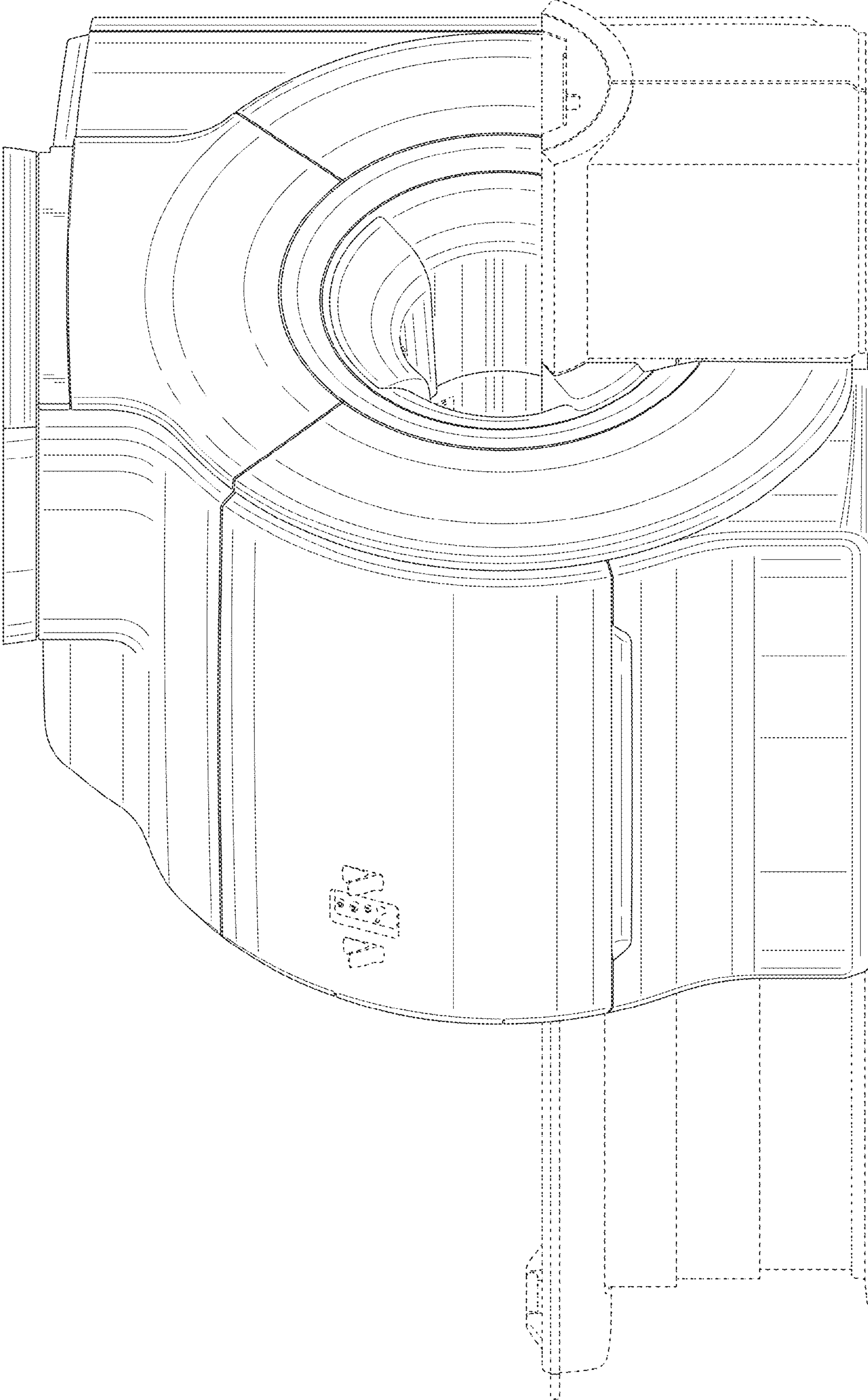


FIG. 4

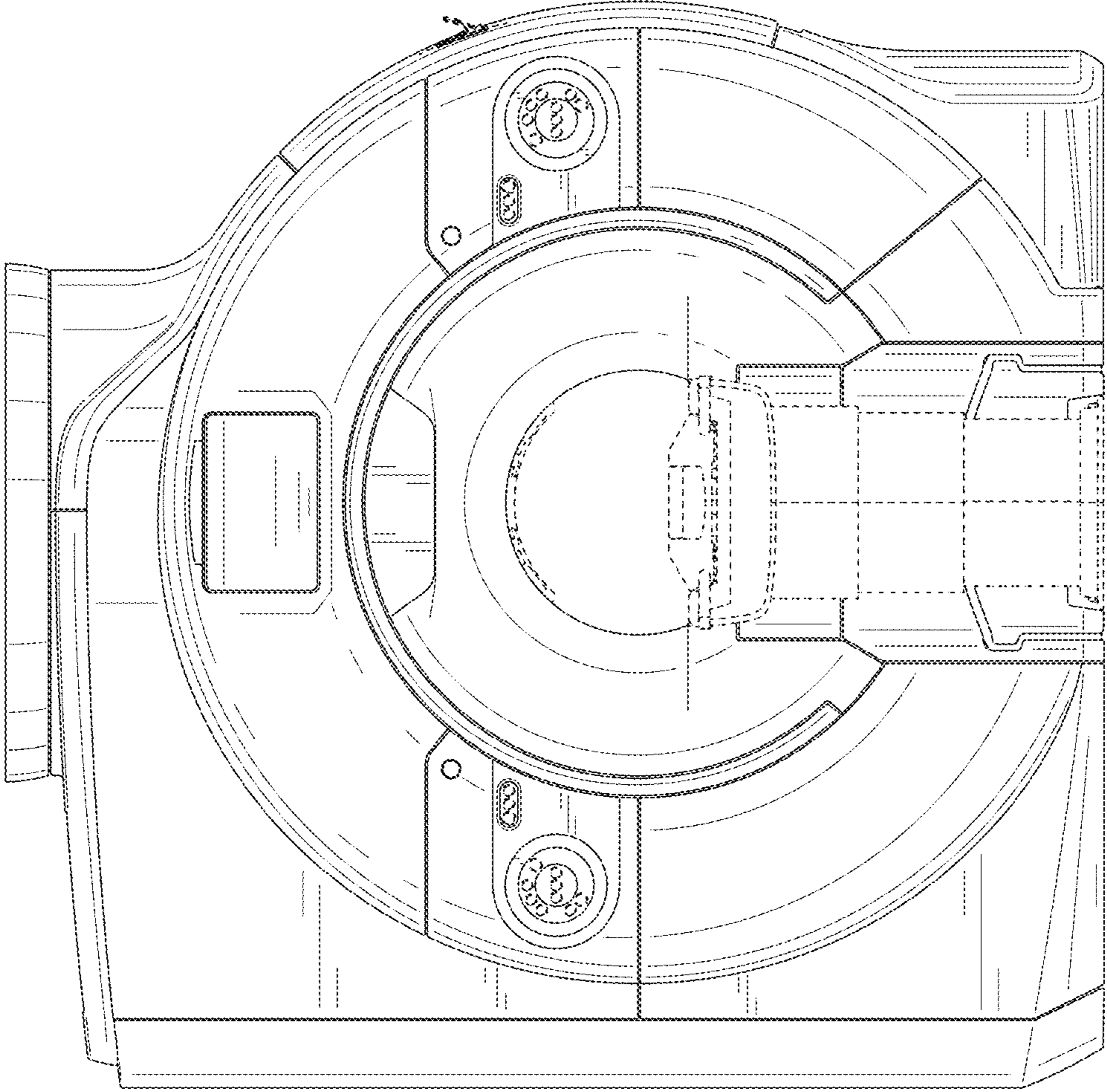


FIG. 5

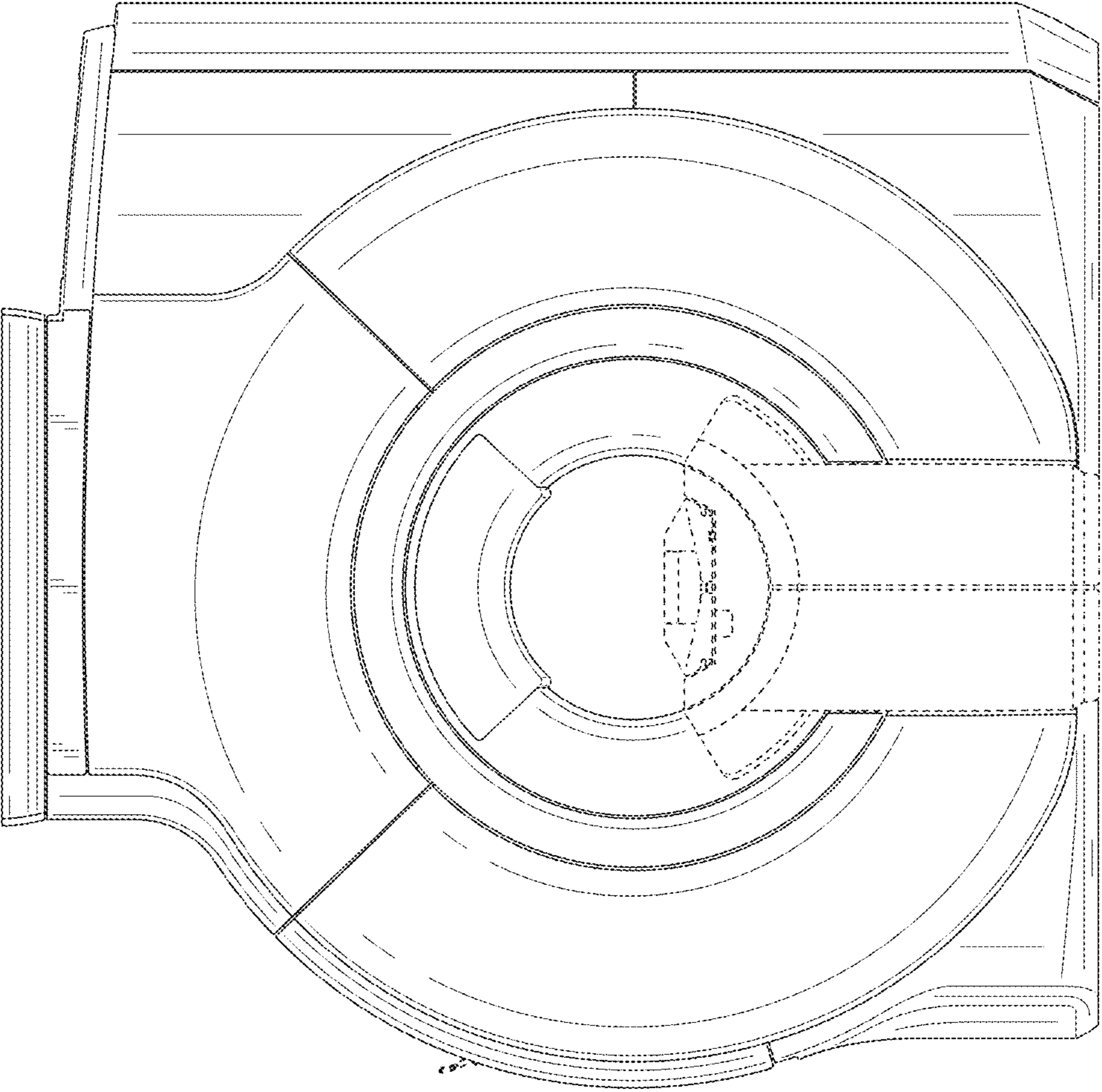


FIG. 6

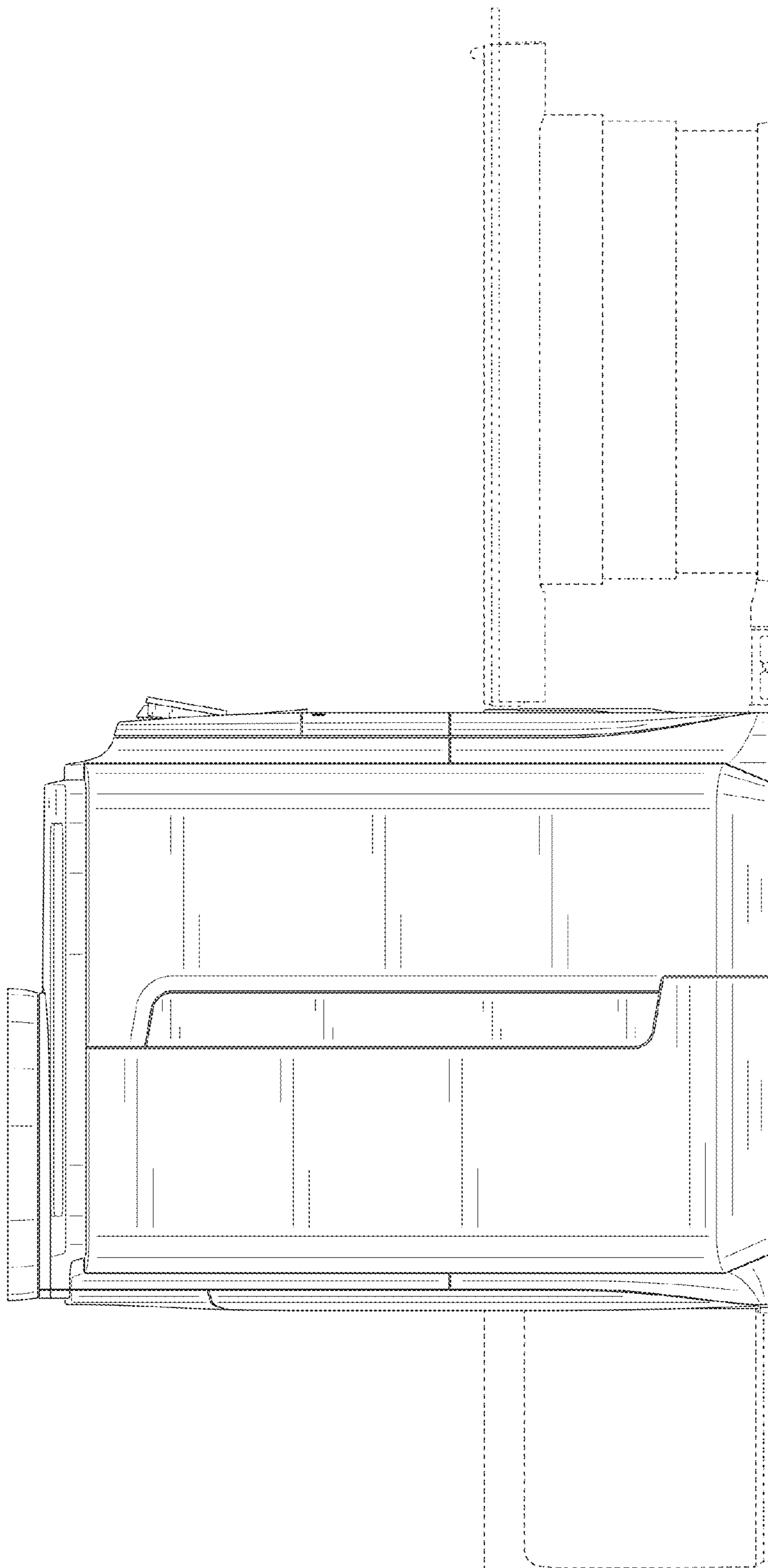


FIG. 7

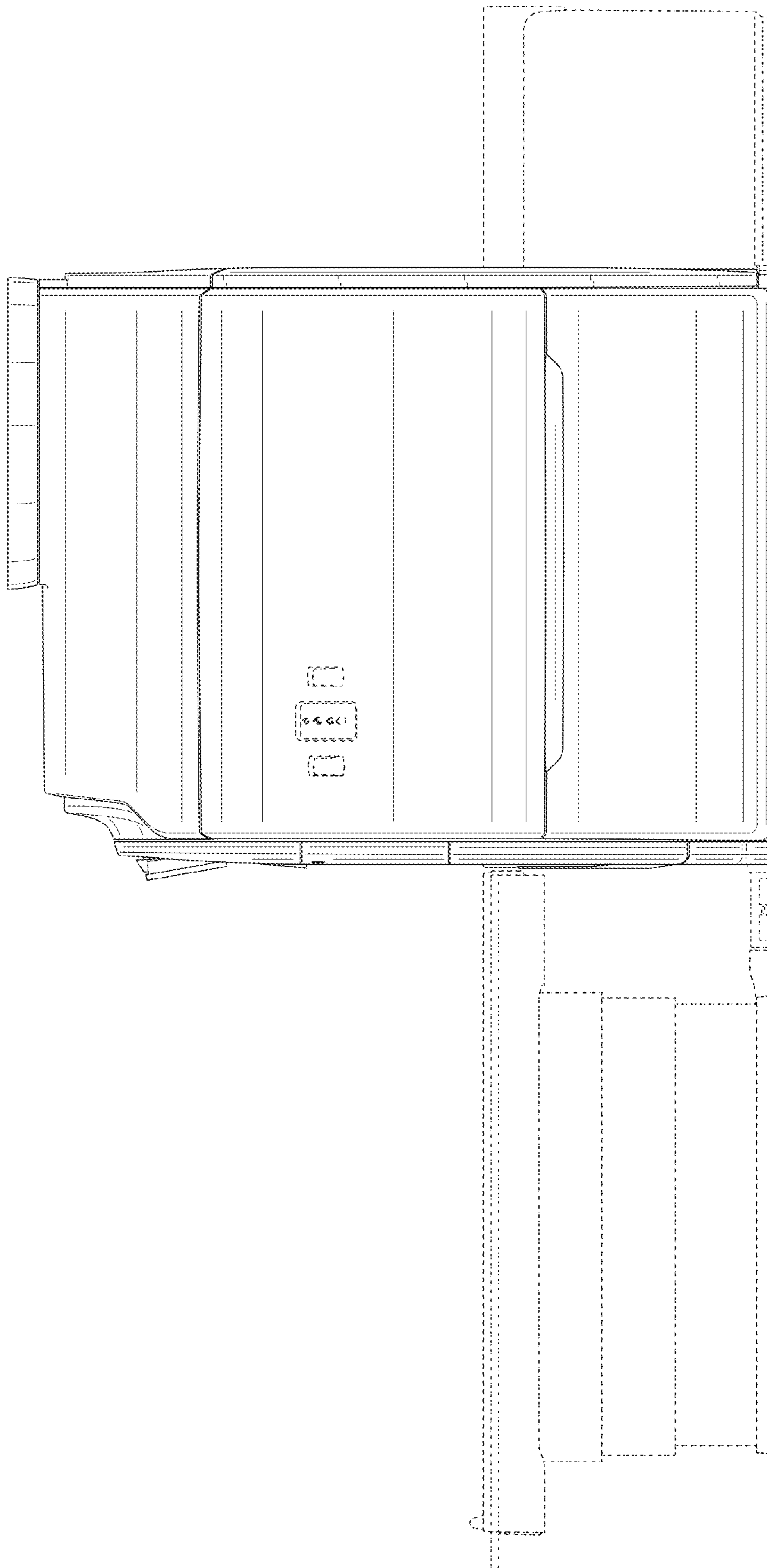


FIG. 8

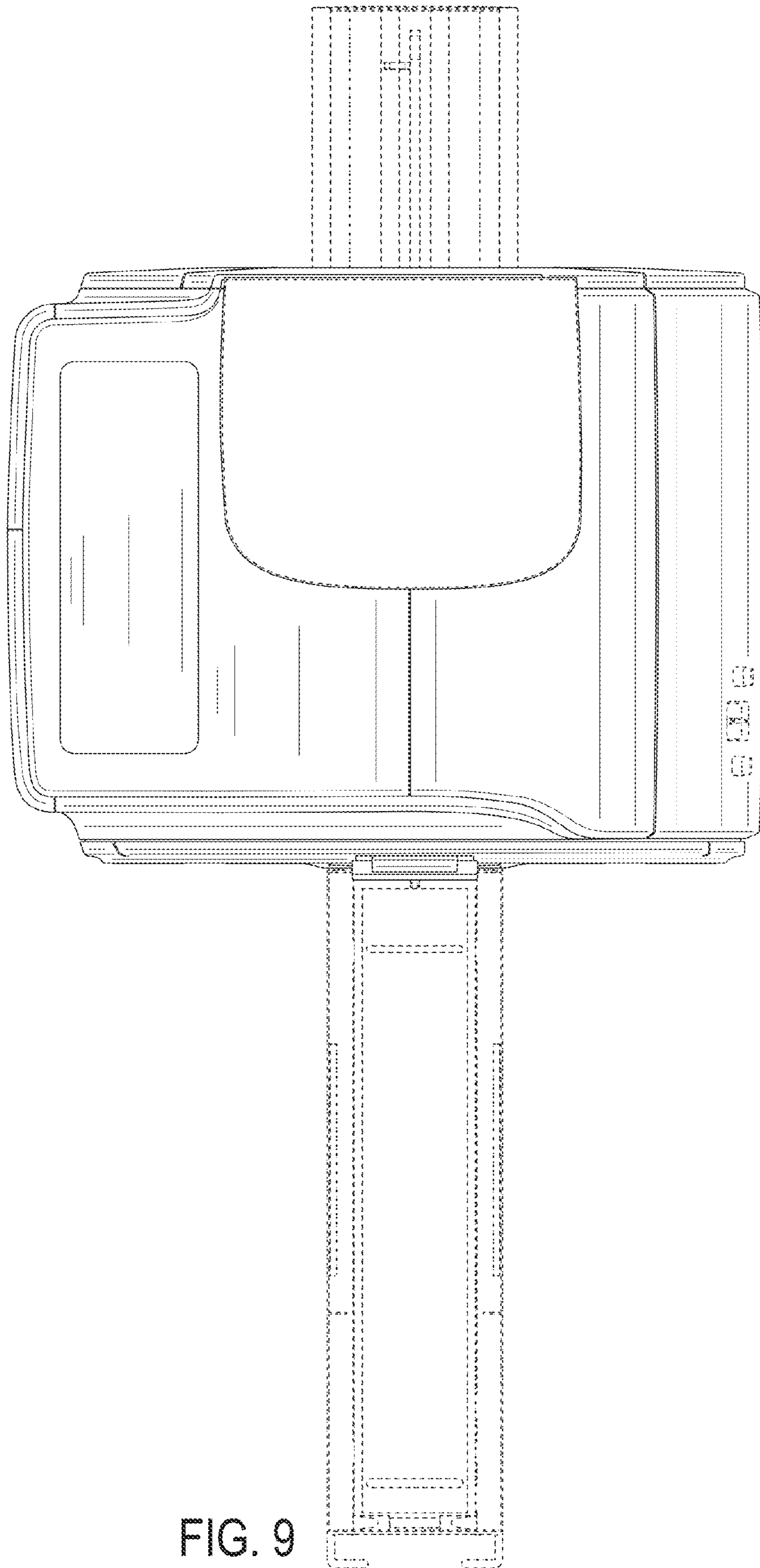


FIG. 9

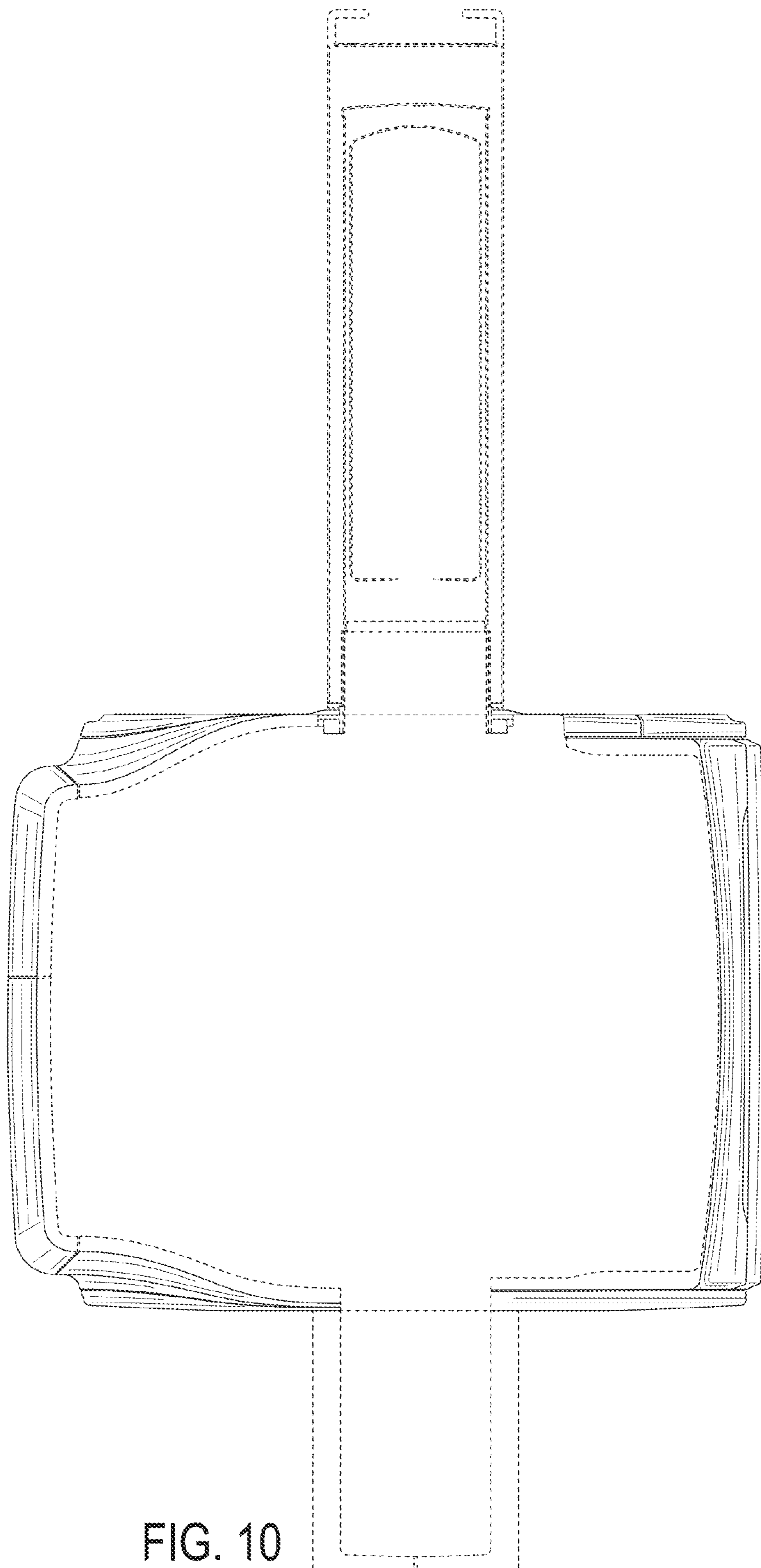


FIG. 10