

US00D956227S

(12) **United States Design Patent** (10) **Patent No.:** **US D956,227 S**
Dacosta et al. (45) **Date of Patent:** **** Jun. 28, 2022**

(54) **CUTTING GUIDE**
(71) Applicant: **Paragon 28, Inc.**, Englewood, CO (US)
(72) Inventors: **Albert Dacosta**, Lone Tree, CO (US);
Laura Zagrocki Brinker, Lone Tree,
CO (US); **Randy Allard**, Golden, CO
(US)
(73) Assignee: **Paragon 28, Inc.**, Englewood, CO (US)
(**) Term: **15 Years**
(21) Appl. No.: **29/761,067**
(22) Filed: **Dec. 7, 2020**

5,735,856 A 4/1998 McCue et al.
7,794,465 B2 9/2010 Marik et al.
D629,900 S 12/2010 Fisher
D695,402 S * 12/2013 Dacosta D24/140
D724,730 S 3/2015 Chaney et al.
D733,875 S 7/2015 Chaney et al.
D745,671 S 12/2015 Frey et al.
D794,787 S 8/2017 Kheradpir et al.
10,251,654 B2 4/2019 Fritzing
D853,816 S 7/2019 Schaz et al.
D858,765 S 9/2019 Frey et al.
D865,173 S 10/2019 Hartson et al.
D874,648 S 2/2020 Houssiere et al.
D875,931 S 2/2020 Asfora et al.
D893,027 S * 8/2020 Peters D24/140

(Continued)

Primary Examiner — Clint A Samuel
(74) *Attorney, Agent, or Firm* — Heslin Rothenberg
Farley & Mesiti PC

Related U.S. Application Data

(63) Continuation of application No. 29/686,943, filed on
Apr. 9, 2019, now Pat. No. Des. 904,609.
(51) **LOC (13) Cl.** **24-02**
(52) **U.S. Cl.**
USPC **D24/140**
(58) **Field of Classification Search**
USPC D24/107, 128, 133, 135, 140, 143, 146,
D24/147, 149, 155, 171; 606/53, 87, 96,
606/98, 102, 167; 600/218; D8/71, 72
CPC A61B 17/00; A61B 17/15; A61B 17/17;
A61B 17/32; A61B 17/1775; A61B
34/10; A61B 34/20; A61F 2002/4687;
A61M 2025/024; A61M 25/00; A61M
25/02; A61M 5/1418
See application file for complete search history.

(57) **CLAIM**

The ornamental design for a cutting guide, as shown and
described.

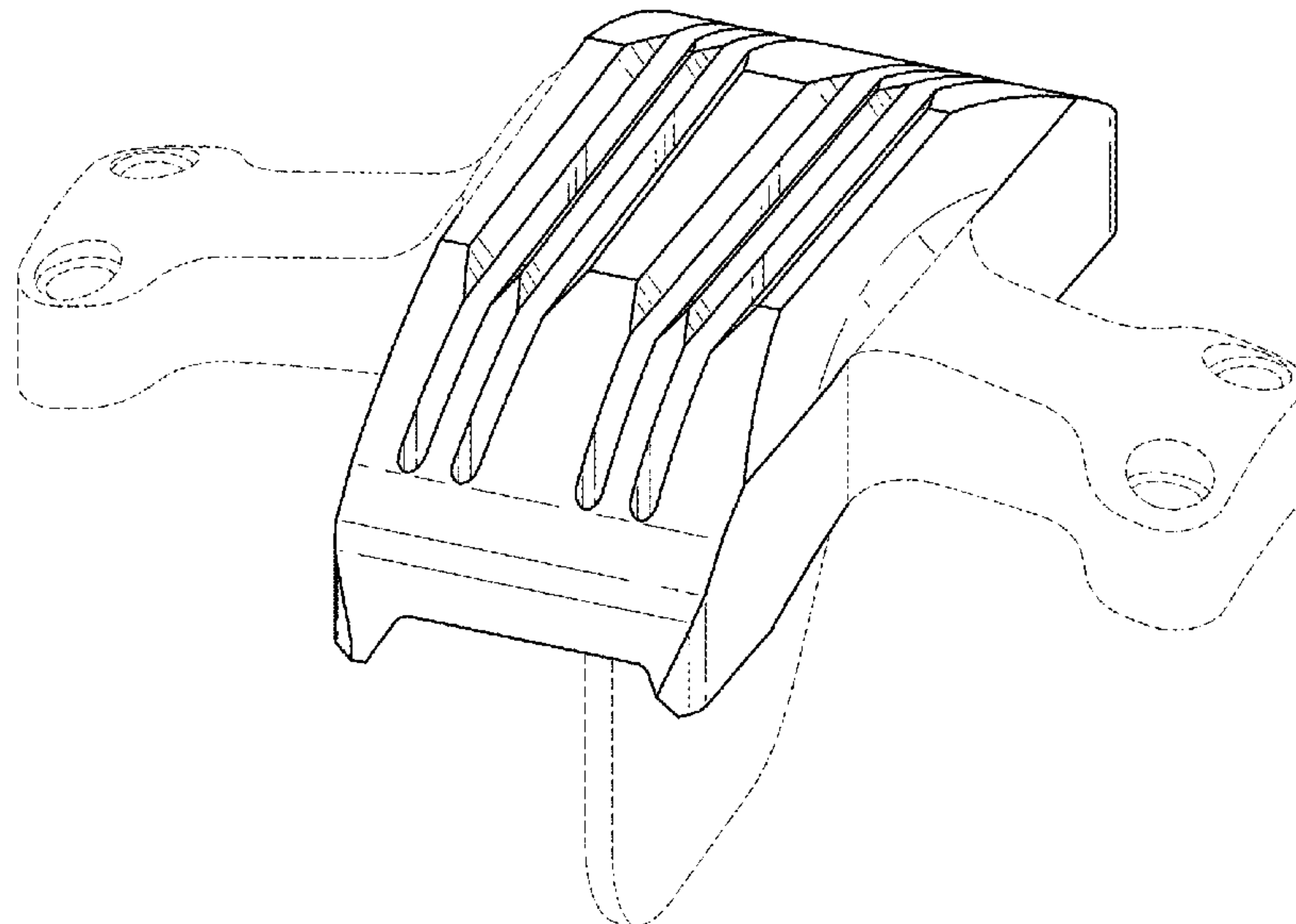
DESCRIPTION

FIG. 1 is a front, top perspective view of a cutting guide
comprising the new design;
FIG. 2 is a back, bottom perspective view of the design of
FIG. 1;
FIG. 3 is a front elevational view of the design of FIG. 1;
FIG. 4 is a back elevational view of the design of FIG. 1;
FIG. 5 is a right elevational view of the design of FIG. 1;
FIG. 6 is a left elevational view of the design of FIG. 1;
FIG. 7 is a top view of the design of FIG. 1; and,
FIG. 8 is a bottom view of the design of FIG. 1.
The broken lines immediately adjacent the shaded areas
represent the bounds of the claimed design while other
broken lines are directed to the environment and are for
illustrative purposes only; the broken lines form no part of
the claimed cutting guide design.

(56) **References Cited**
U.S. PATENT DOCUMENTS

4,718,413 A 1/1988 Johnson
D355,254 S 2/1995 Krafft et al.
5,458,602 A 10/1995 Goble et al.
5,683,396 A 11/1997 Tokish et al.

1 Claim, 6 Drawing Sheets



(56)

References Cited

U.S. PATENT DOCUMENTS

D895,111	S *	9/2020	Frey	D24/140
D897,529	S *	9/2020	Lilliestrale	D24/140
D904,609	S *	12/2020	Dacosta	D24/140
D904,610	S *	12/2020	Dacosta	D24/140
D933,821	S *	10/2021	Dacosta	D24/140
2004/0153087	A1	8/2004	Sanford et al.	
2005/0038440	A1	2/2005	Larson et al.	
2006/0155291	A1	7/2006	Farrar et al.	
2007/0208346	A1	9/2007	Marnay et al.	
2008/0195107	A1	8/2008	Cuckler et al.	
2010/0212138	A1	8/2010	Carroll et al.	
2013/0158556	A1	6/2013	Jones et al.	
2013/0325016	A1 *	12/2013	Sordelet	A61F 2/4684 606/87
2013/0325017	A1	12/2013	Lomicka	
2013/0325045	A1	12/2013	Wolfson et al.	
2014/0100578	A1	4/2014	Metzger et al.	
2014/0163559	A1	6/2014	Marnay et al.	
2014/0257305	A1	9/2014	Edwards et al.	
2014/0309643	A1	10/2014	Lavallee et al.	
2019/0336140	A1	11/2019	DaCosta et al.	
2019/0365419	A1	12/2019	Rhodes et al.	
2019/0365481	A1	12/2019	Otto et al.	
2020/0155176	A1 *	5/2020	Bays	A61B 17/8061

* cited by examiner

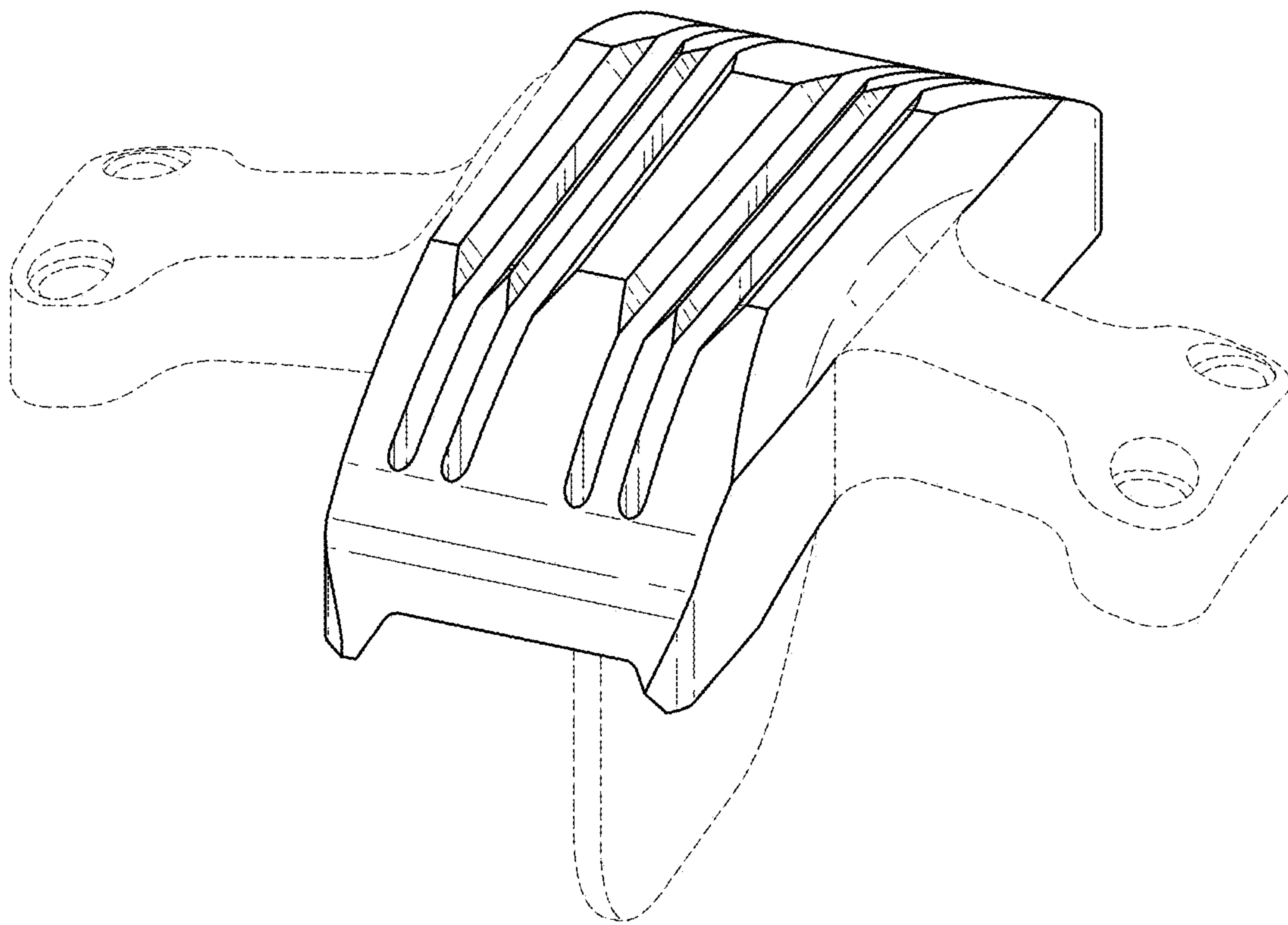


FIG. 1

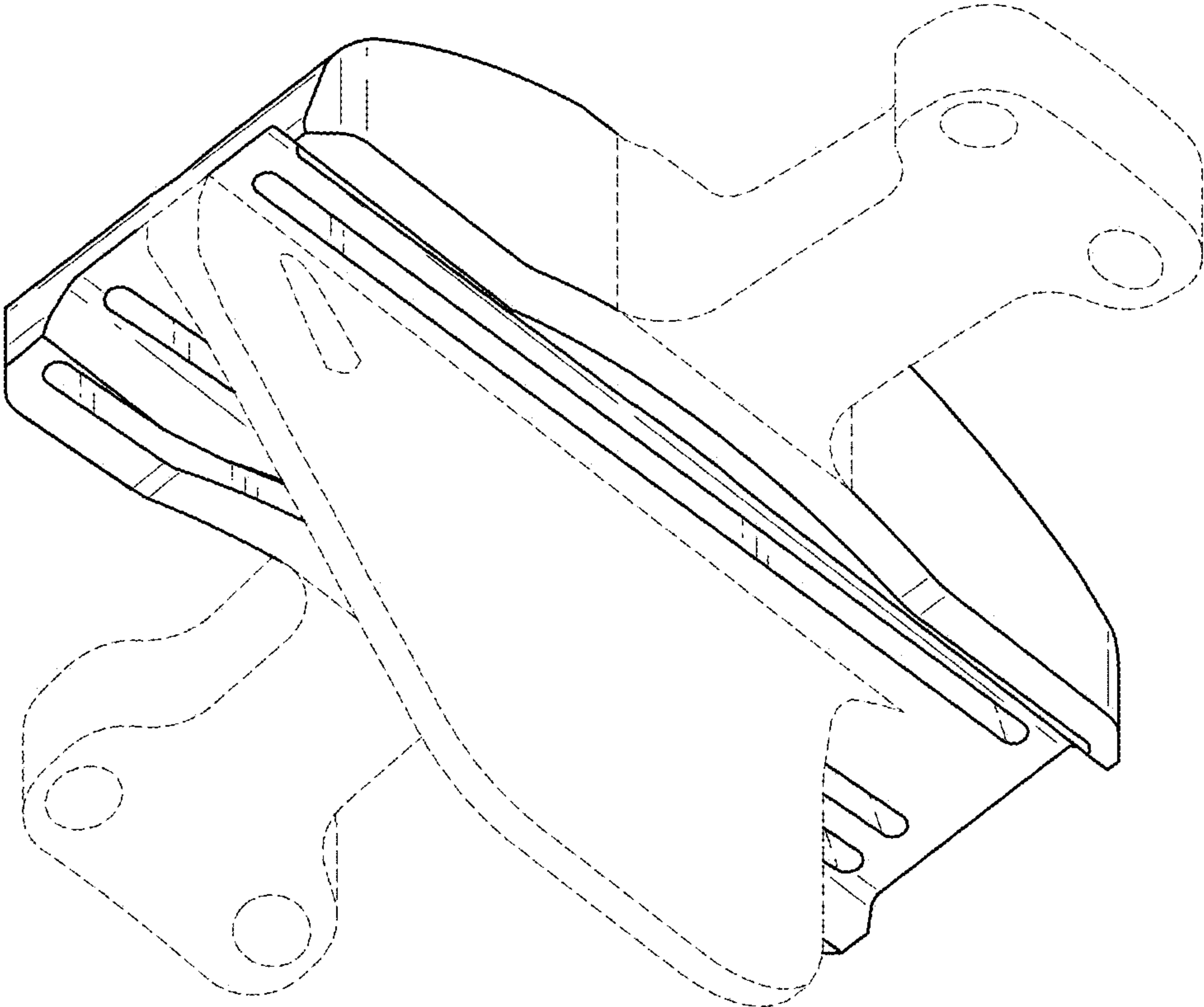


FIG. 2

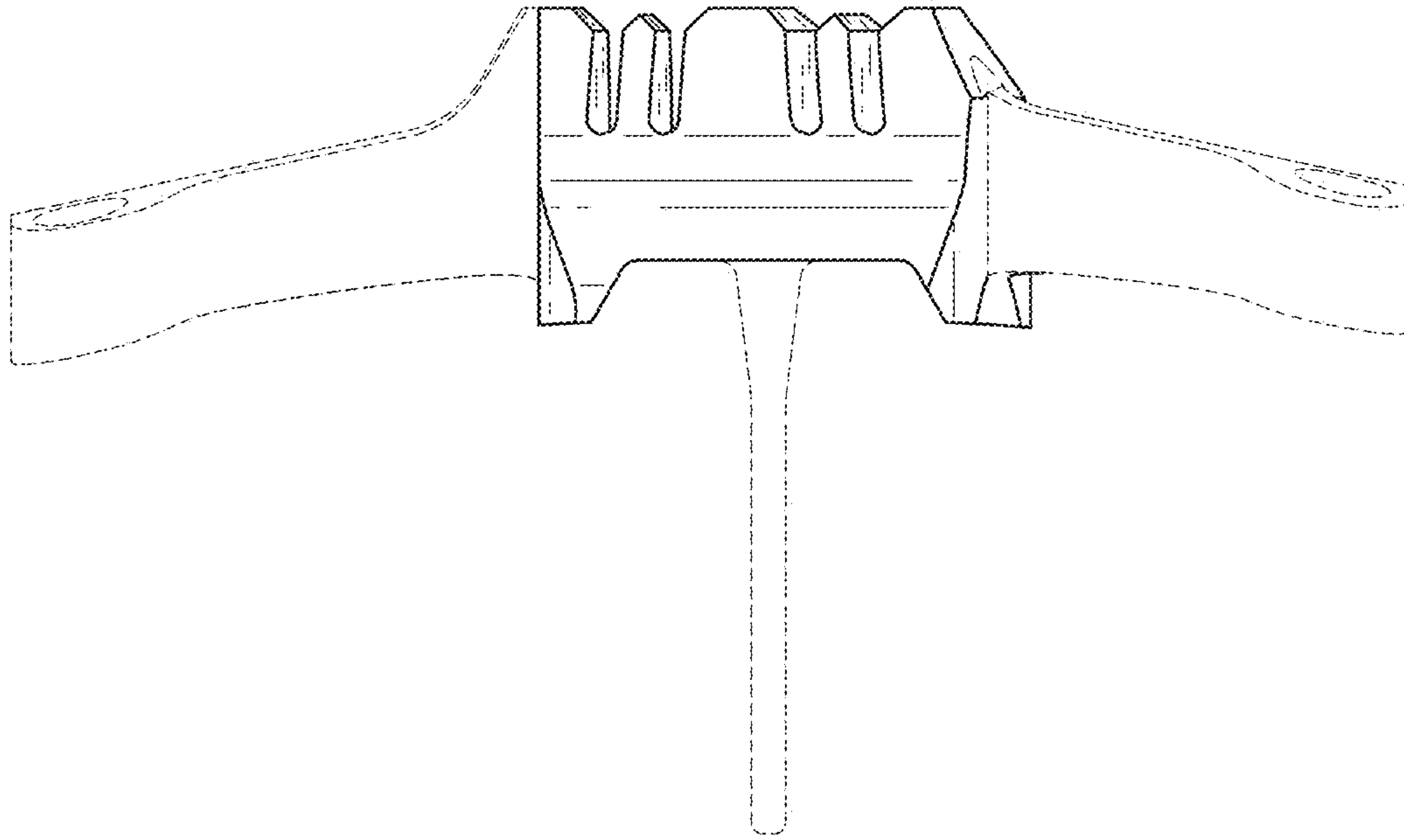


FIG. 3

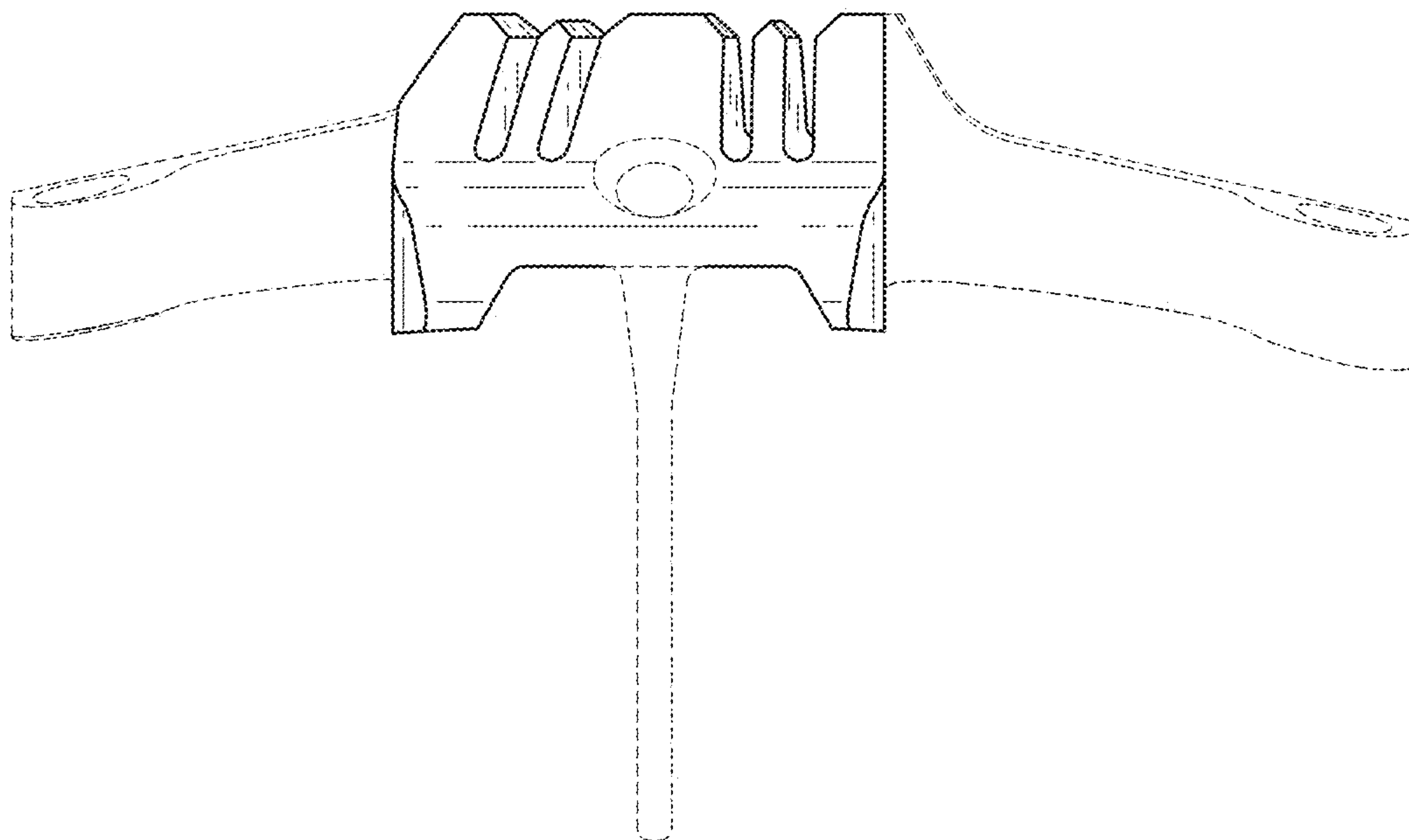


FIG. 4

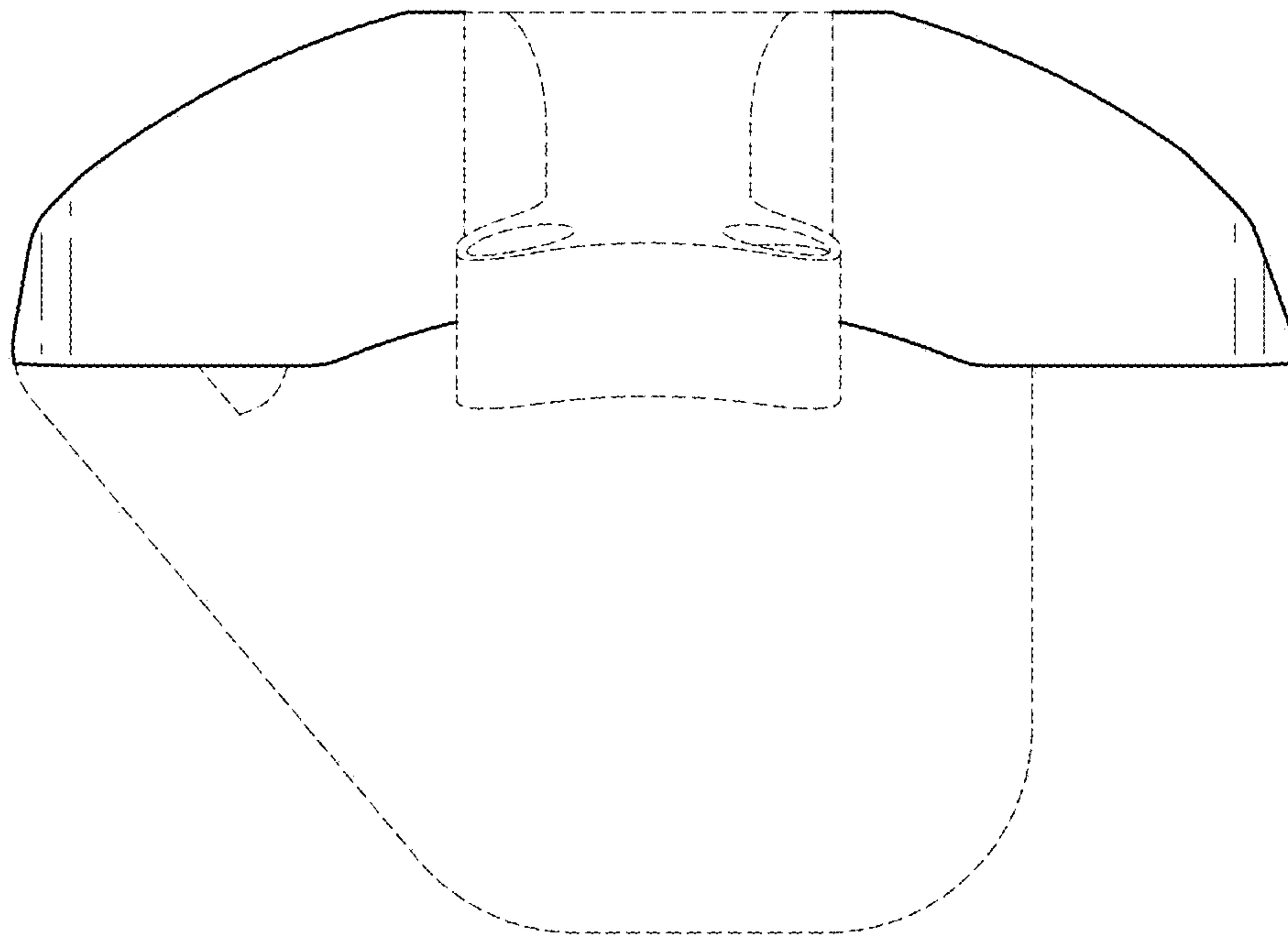


FIG. 5

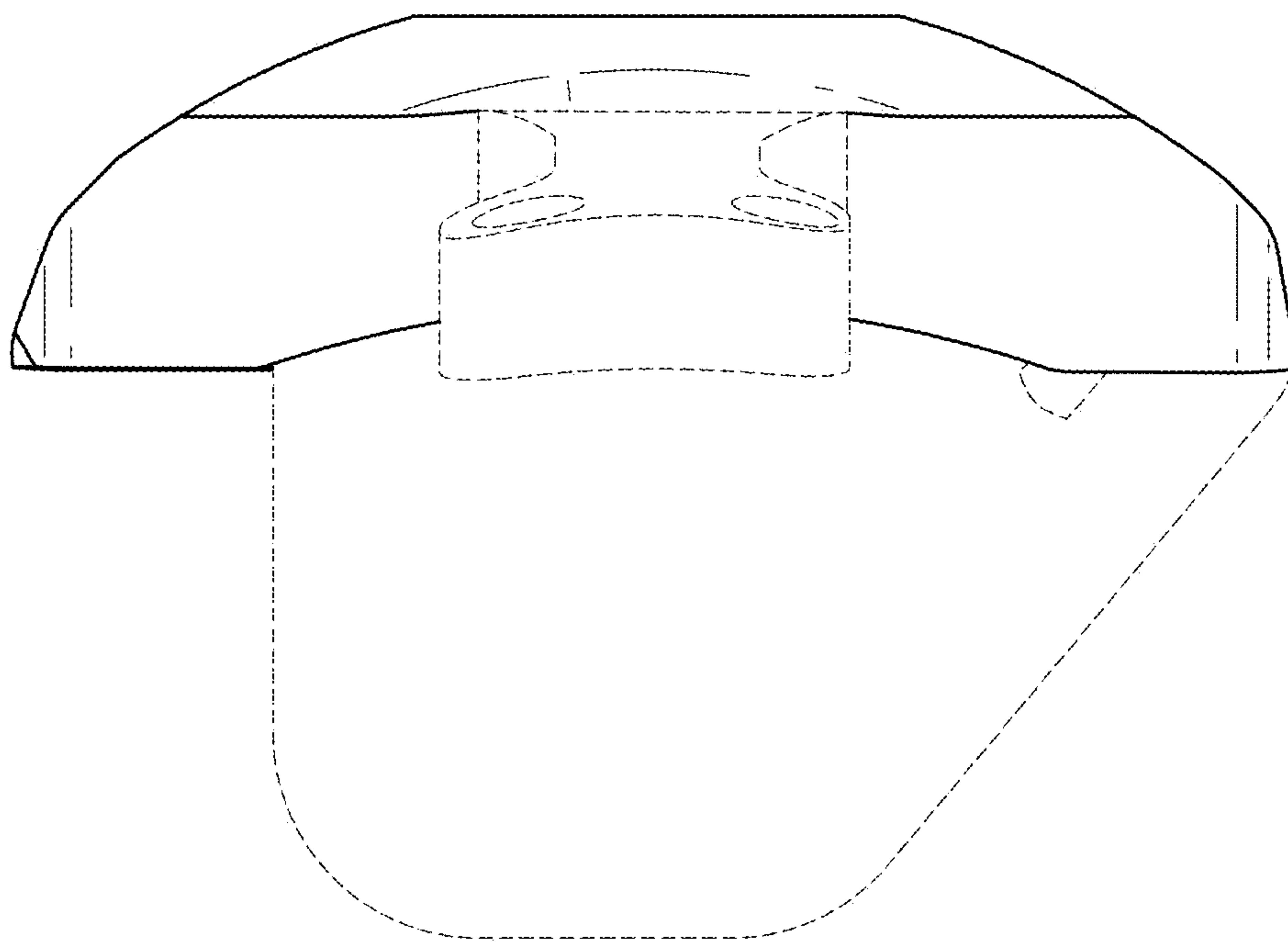


FIG. 6

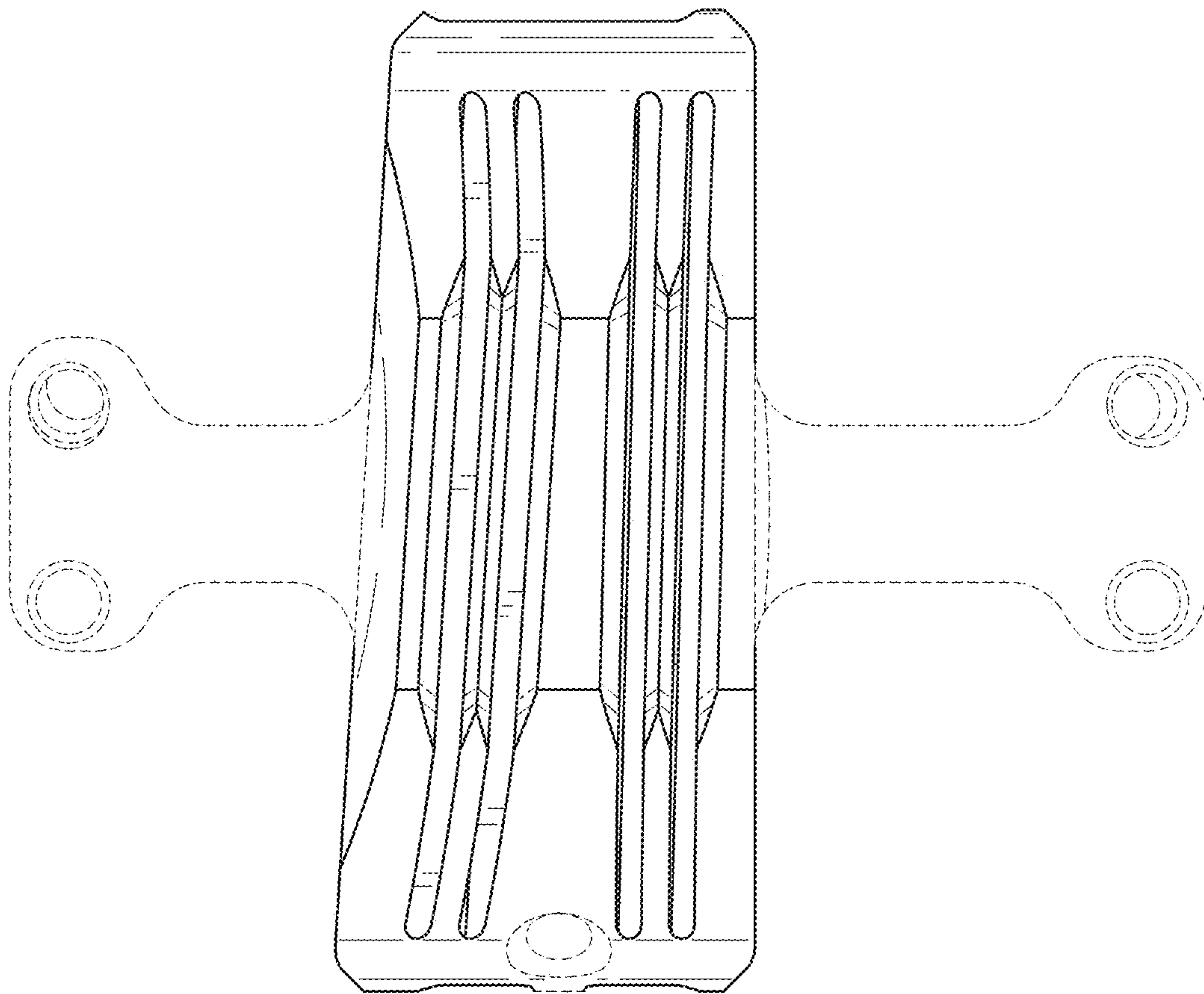


FIG. 7

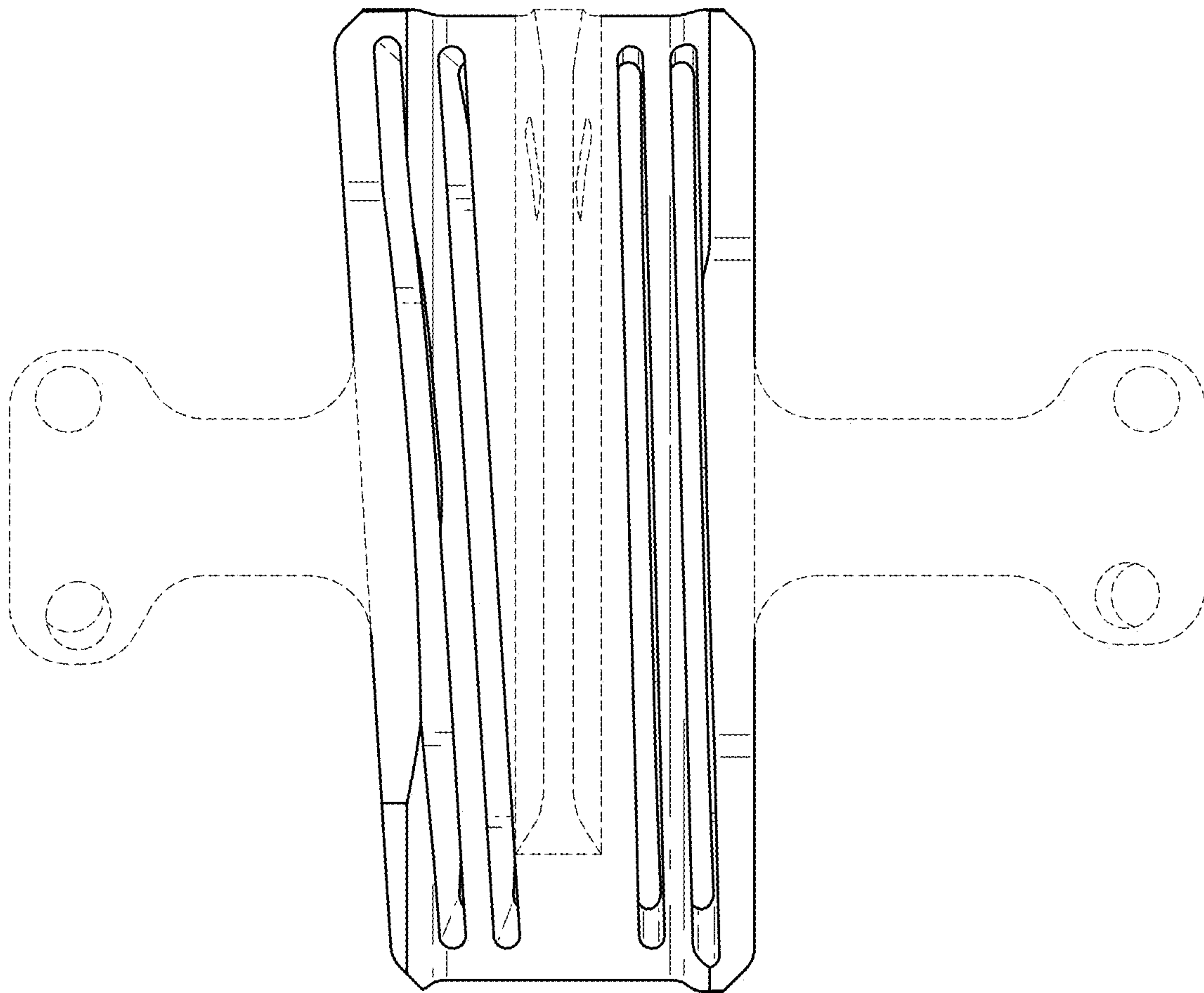


FIG. 8