

US00D956224S

(12) **United States Design Patent**
Gregersen et al.

(10) **Patent No.:** **US D956,224 S**
(45) **Date of Patent:** **** Jun. 28, 2022**

- (54) **SURGICAL RETRACTOR**
 - (71) Applicant: **Innovasis, Inc.**, Salt Lake City, UT (US)
 - (72) Inventors: **Colin Gregersen**, Salt Lake City, UT (US); **Navid Mahpeykar**, Camarillo, CA (US)
 - (73) Assignee: **INNOVASIS, INC.**, Salt Lake City, UT (US)
 - (**) Term: **15 Years**
 - (21) Appl. No.: **29/734,424**
 - (22) Filed: **May 12, 2020**
 - (51) **LOC (13) Cl.** **24-02**
 - (52) **U.S. Cl.**
USPC **D24/135**
 - (58) **Field of Classification Search**
USPC D24/135, 133, 143
CPC A61B 17/0206; A61B 34/30; A61B 90/50;
A61B 2017/00407; A61B 17/0218; A61B 2017/0256
- See application file for complete search history.

- 7,207,949 B2 4/2007 Miles et al.
 - 7,320,688 B2 1/2008 Foley et al.
 - D566,269 S * 4/2008 Koros D24/135
 - 7,470,236 B1 12/2008 Kelleher et al.
- (Continued)

FOREIGN PATENT DOCUMENTS

WO WO2017075503 A1 5/2017

OTHER PUBLICATIONS

Innovasis on Twitter, TruView, Publication Date: Apr. 8, 2021, [online], [retrieved on Feb. 21, 2021]. Retrieved from Internet, <URL: <https://mobile.twitter.com/innovasis/status/1380166129335812100>>.*

(Continued)

Primary Examiner — Bridget L Eland
(74) *Attorney, Agent, or Firm* — Maywood IP Law; David Meibos

(57) **CLAIM**

The ornamental design for a surgical retractor, as shown and described.

DESCRIPTION

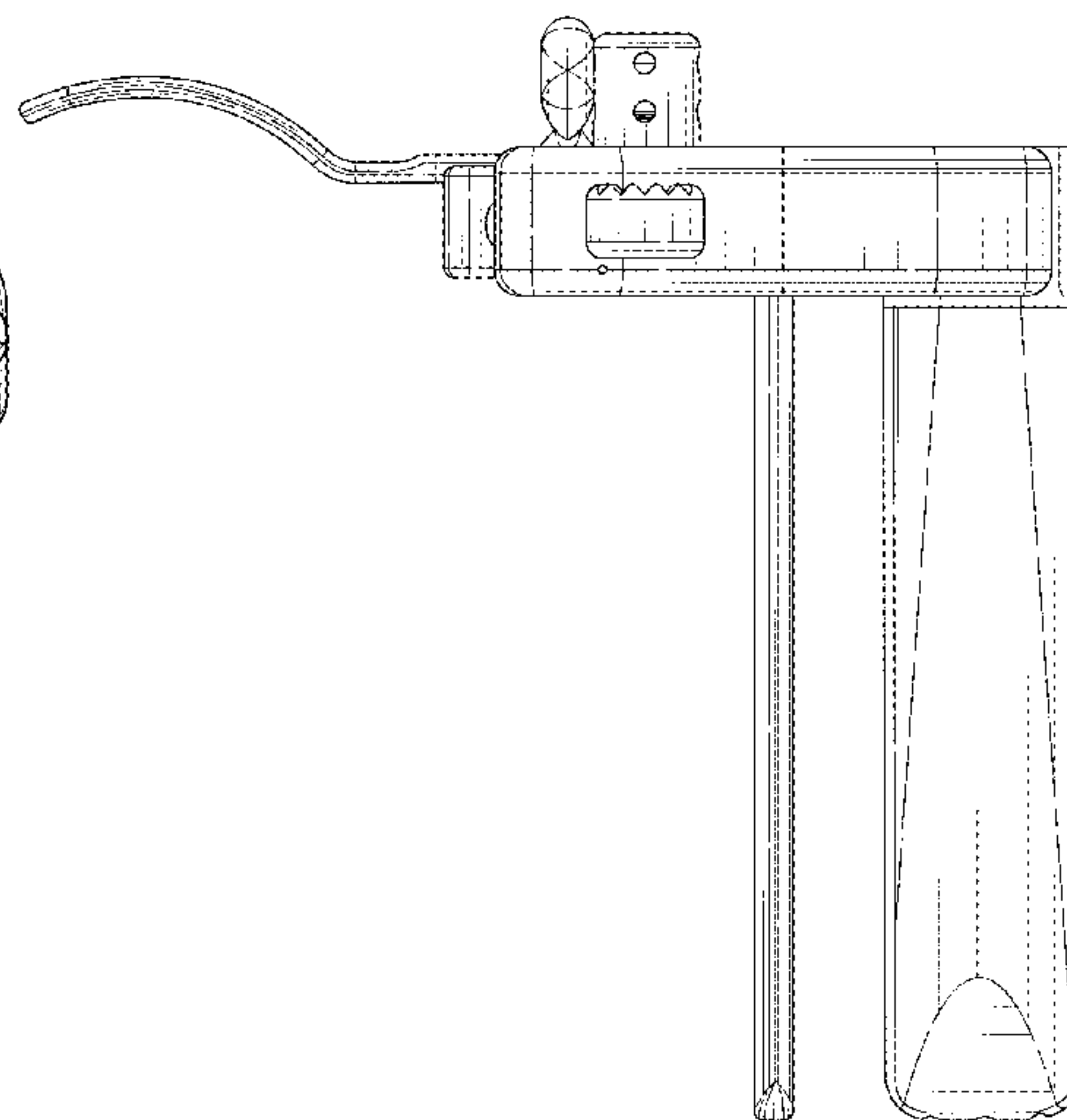
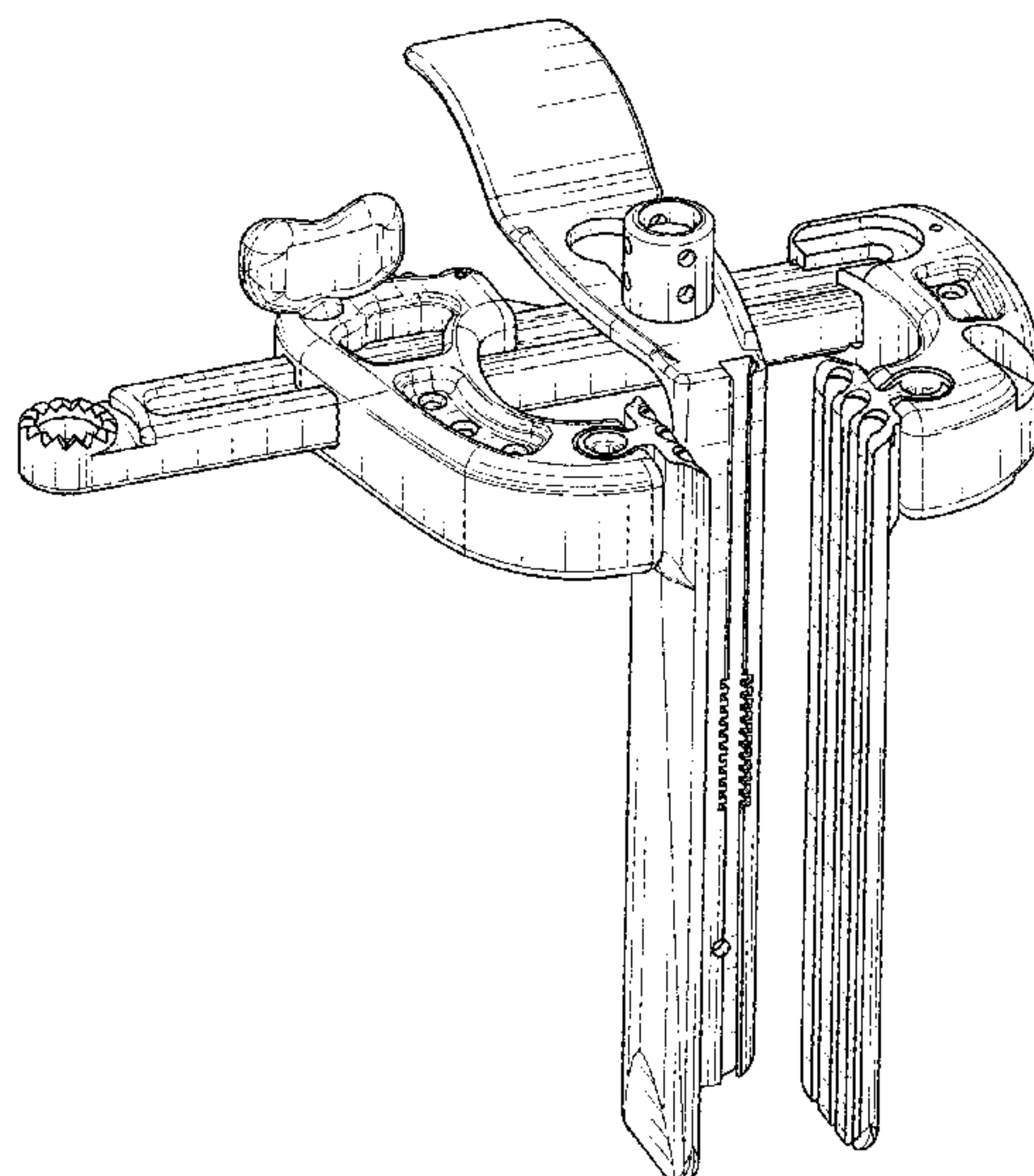
FIG. 1 is a top, left, and front isometric view of a surgical retractor.
FIG. 2 is a bottom, left, and rear isometric view of the surgical retractor.
FIG. 3 is a front elevation view of the surgical retractor.
FIG. 4 is a rear elevation view of the surgical retractor.
FIG. 5 is a left elevation view of the surgical retractor.
FIG. 6 is a right elevation view of the surgical retractor.
FIG. 7 is a top plan view of the surgical retractor; and, FIG. 8 is a bottom plan view of the surgical retractor.
The broken lines in the drawings are for the purpose of illustrating portions of the surgical retractor that form no part of the claimed design.

1 Claim, 8 Drawing Sheets

(56) **References Cited**

U.S. PATENT DOCUMENTS

- 4,702,230 A * 10/1987 Pelta A61B 17/0206
403/362
- D361,381 S * 8/1995 Koros D24/135
- D380,548 S * 7/1997 Koros D24/135
- D396,285 S * 7/1998 Koros D24/135
- D399,955 S * 10/1998 Koros D24/135
- D410,082 S * 5/1999 Furnish D24/135
- D411,617 S * 6/1999 Furnish D24/135
- 6,102,854 A * 8/2000 Cartier A61B 1/32
600/210
- 6,224,545 B1 5/2001 Cocchia et al.
- 6,360,750 B1 3/2002 Gerber et al.
- 6,849,064 B2 2/2005 Hamada
- 7,147,599 B2 12/2006 Burns et al.



(56)

References Cited

U.S. PATENT DOCUMENTS

7,473,222 B2	1/2009	Dewey et al.	8,768,450 B2	7/2014	Gharib et al.
7,491,205 B1	2/2009	Michelson	8,771,181 B2	7/2014	Garcia-Bengochea
7,494,463 B2	2/2009	Nehls	8,801,608 B2	8/2014	Hardenbrook
7,537,565 B2	5/2009	Bass	8,808,172 B2	8/2014	Manzanares
7,556,600 B2	7/2009	Landry et al.	8,821,394 B2	9/2014	Hawkins et al.
7,582,058 B1	9/2009	Miles et al.	8,852,089 B2	10/2014	Blackwell et al.
7,625,339 B2	12/2009	Frasier et al.	8,876,687 B2	11/2014	Jones et al.
7,666,189 B2	2/2010	Gerber et al.	8,876,851 B1	11/2014	Woolley et al.
7,758,501 B2	7/2010	Frasier et al.	8,876,904 B2	11/2014	Pimenta et al.
7,785,253 B1	8/2010	Arambula et al.	8,915,846 B2	12/2014	Miles et al.
7,819,801 B2	10/2010	Miles et al.	8,956,283 B2	2/2015	Miles et al.
7,824,410 B2	11/2010	Simonson et al.	8,956,285 B2	2/2015	Gephart et al.
7,892,173 B2	2/2011	Miles et al.	8,968,363 B2	3/2015	Weiman et al.
7,892,174 B2	2/2011	Hestad et al.	8,977,352 B2	3/2015	Gharib et al.
7,905,840 B2	3/2011	Pimenta et al.	8,986,344 B2	3/2015	Sandhu
7,918,792 B2	4/2011	Drzyzga et al.	8,992,425 B2	3/2015	Karpowicz et al.
7,922,658 B2	4/2011	Cohen et al.	8,998,807 B2	4/2015	Fiorella
7,935,051 B2	5/2011	Miles et al.	9,028,522 B1	5/2015	Prado
7,935,053 B2	5/2011	Karpowicz et al.	9,044,280 B1	6/2015	Arambula et al.
7,946,982 B2	5/2011	Hamada	9,055,936 B2	6/2015	Mire et al.
7,951,154 B2	5/2011	Schwab et al.	9,060,757 B2	6/2015	Lawson et al.
7,962,191 B2	6/2011	Marino et al.	9,084,591 B2	7/2015	Reglos et al.
RE42,525 E	7/2011	Simonson	9,089,299 B2	7/2015	Nowak et al.
7,985,179 B2	7/2011	Gephart et al.	9,131,933 B2	9/2015	Mire et al.
8,000,782 B2	8/2011	Gharib et al.	9,179,903 B2	11/2015	Cianfrani et al.
8,048,109 B2	11/2011	Garcia-Bengochea	9,192,367 B2	11/2015	Nunley et al.
8,062,217 B2	11/2011	Boucher et al.	9,216,016 B2	12/2015	Fiechter et al.
8,062,218 B2	11/2011	Sebastian et al.	9,220,491 B2	12/2015	Nunley et al.
8,105,236 B2	1/2012	Malandain et al.	9,241,619 B2	1/2016	Nowak et al.
8,114,016 B2	2/2012	Lo et al.	9,271,711 B2	3/2016	Hawkins et al.
8,133,173 B2	3/2012	Miles et al.	9,282,957 B2	3/2016	Caner
8,137,284 B2	3/2012	Miles et al.	9,289,248 B2	3/2016	Seex et al.
8,152,720 B2	4/2012	Loftus et al.	9,351,718 B1	5/2016	Arambula et al.
8,162,827 B2	4/2012	Abdelgany et al.	9,357,908 B2	6/2016	Frasier et al.
8,172,750 B2	5/2012	Miles et al.	9,357,909 B2	6/2016	Perez-Cruet et al.
8,182,519 B2	5/2012	Loftus et al.	9,414,828 B2	8/2016	Abidin et al.
8,187,179 B2	5/2012	Miles et al.	9,486,133 B2	11/2016	Lee et al.
8,192,356 B2	6/2012	Miles et al.	9,486,199 B2	11/2016	Pimenta et al.
8,192,357 B2	6/2012	Miles et al.	9,521,997 B2	12/2016	Hawkins et al.
8,192,437 B2	6/2012	Simonson	9,532,774 B2	1/2017	Simonson
8,202,216 B2	6/2012	Melkent et al.	9,572,562 B2	2/2017	Miles et al.
8,206,293 B2	6/2012	Reglos et al.	9,585,648 B2	3/2017	Heiges et al.
8,211,012 B2	7/2012	Wing et al.	9,615,733 B2	4/2017	Nottmeier
8,226,554 B2	7/2012	McBride et al.	9,615,818 B2	4/2017	Baudouin et al.
8,262,569 B2	9/2012	Hestad et al.	9,622,732 B2	4/2017	Martinelli et al.
8,265,744 B2	9/2012	Gharib et al.	9,636,097 B2	5/2017	Bass
8,303,498 B2	11/2012	Miles et al.	9,649,101 B2	5/2017	Karpowicz et al.
8,303,499 B2	11/2012	Hamada	9,655,505 B1	5/2017	Gharib et al.
8,303,601 B2	11/2012	Bandeira et al.	9,675,334 B2	6/2017	Heiges et al.
8,317,692 B2	11/2012	Loftus et al.	9,681,862 B1	6/2017	Tumialan
8,353,826 B2	1/2013	Weiman	9,717,403 B2	8/2017	Kleiner et al.
8,355,780 B2	1/2013	Miles et al.	9,724,137 B2	8/2017	Hynes et al.
8,388,527 B2	3/2013	Miles et al.	9,737,288 B2	8/2017	Karpowicz et al.
8,439,832 B2	5/2013	Miles et al.	9,750,490 B2	9/2017	Miles et al.
8,449,463 B2	5/2013	Nunley et al.	9,757,151 B2	9/2017	Weiman et al.
8,454,644 B2	6/2013	McDonnell	9,782,158 B2	10/2017	Nunley et al.
8,480,576 B2	7/2013	Sandhu	9,788,822 B2	10/2017	Miles et al.
8,500,634 B2	8/2013	Miles et al.	9,795,367 B1	10/2017	Lee et al.
8,512,235 B2	8/2013	Miles et al.	9,795,371 B2	10/2017	Miles et al.
8,517,935 B2	8/2013	Marchek et al.	9,814,488 B2	11/2017	Tatsumi
8,523,768 B2	9/2013	Miles et al.	9,820,729 B2	11/2017	Miles et al.
8,568,306 B2	10/2013	Hardenbrook	9,826,966 B2	11/2017	Mast et al.
8,574,154 B2	11/2013	Loftus et al.	9,826,968 B2	11/2017	Miles et al.
8,591,431 B2	11/2013	Calancie et al.	9,833,227 B2	12/2017	Miles et al.
8,602,982 B2	12/2013	Miles et al.	9,848,861 B2	12/2017	Miles et al.
8,617,062 B2	12/2013	Mire et al.	9,848,863 B2	12/2017	Cryder et al.
8,636,656 B2	1/2014	Nichter et al.	9,861,273 B2	1/2018	Weiman
8,636,657 B2	1/2014	Hamada	9,888,859 B1	2/2018	Spangler et al.
8,663,100 B2	3/2014	Miles et al.	9,918,709 B2	3/2018	Sandhu
8,672,840 B2	3/2014	Miles et al.	9,924,859 B2	3/2018	Lee et al.
8,679,006 B2	3/2014	Miles et al.	9,924,933 B2	3/2018	Woolley et al.
8,696,560 B2	4/2014	Strauss et al.	9,931,077 B2	4/2018	Kaula et al.
8,708,899 B2	4/2014	Miles et al.	9,943,301 B2	4/2018	Mast et al.
8,747,307 B2	6/2014	Miles et al.	9,993,239 B2	6/2018	Karpowicz et al.
8,753,270 B2	6/2014	Miles et al.	10,034,662 B2	7/2018	Bass et al.
			RE46,978 E	8/2018	Simonson
			10,039,539 B2	8/2018	Friedrich et al.
			10,130,348 B2	11/2018	Cryder et al.
			10,166,018 B2	1/2019	Hunt et al.

(56)

References Cited

U.S. PATENT DOCUMENTS

D924,398 S * 7/2021 Pellissard D24/135
2015/0018628 A1 1/2015 Friedrich et al.
2016/0120532 A1 5/2016 Donald
2017/0215856 A1 8/2017 Martinelli et al.
2021/0330312 A1* 10/2021 Lovell A61B 17/0206

OTHER PUBLICATIONS

OrthoSpine News, TruView, Publication Date: Jun. 30, 2021, [online],
[retrieved on Feb. 21, 2021]. Retrieved from Internet ,<URL:
<https://orthospinenews.com/2021/06/30/innovasis-announces-limited-commercial-release-of-truview-retractor-system-and-lxha-interbody-made-from-peek-optima-ha-enhanced-polymer/>>.*

* cited by examiner

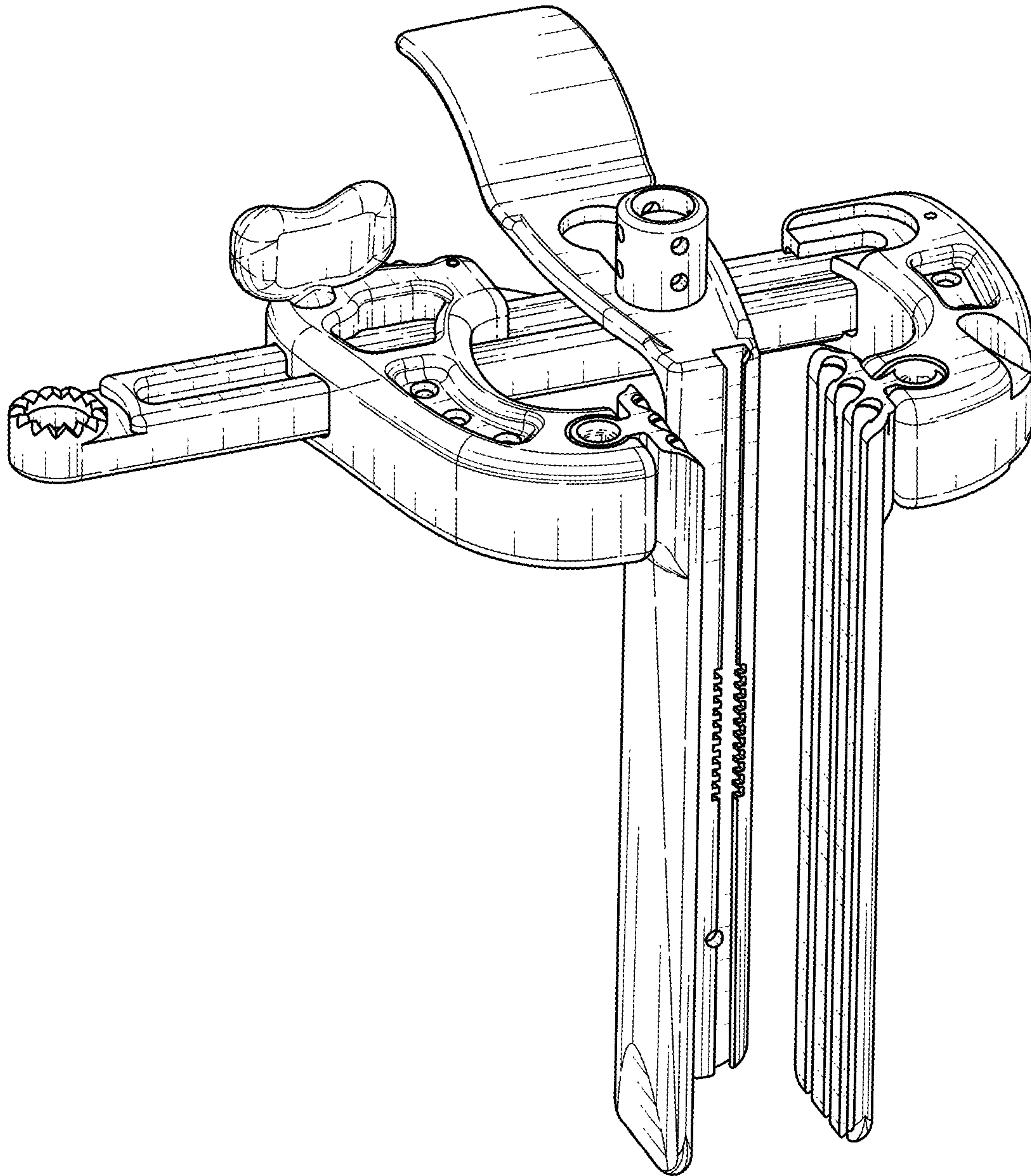


FIG. 1

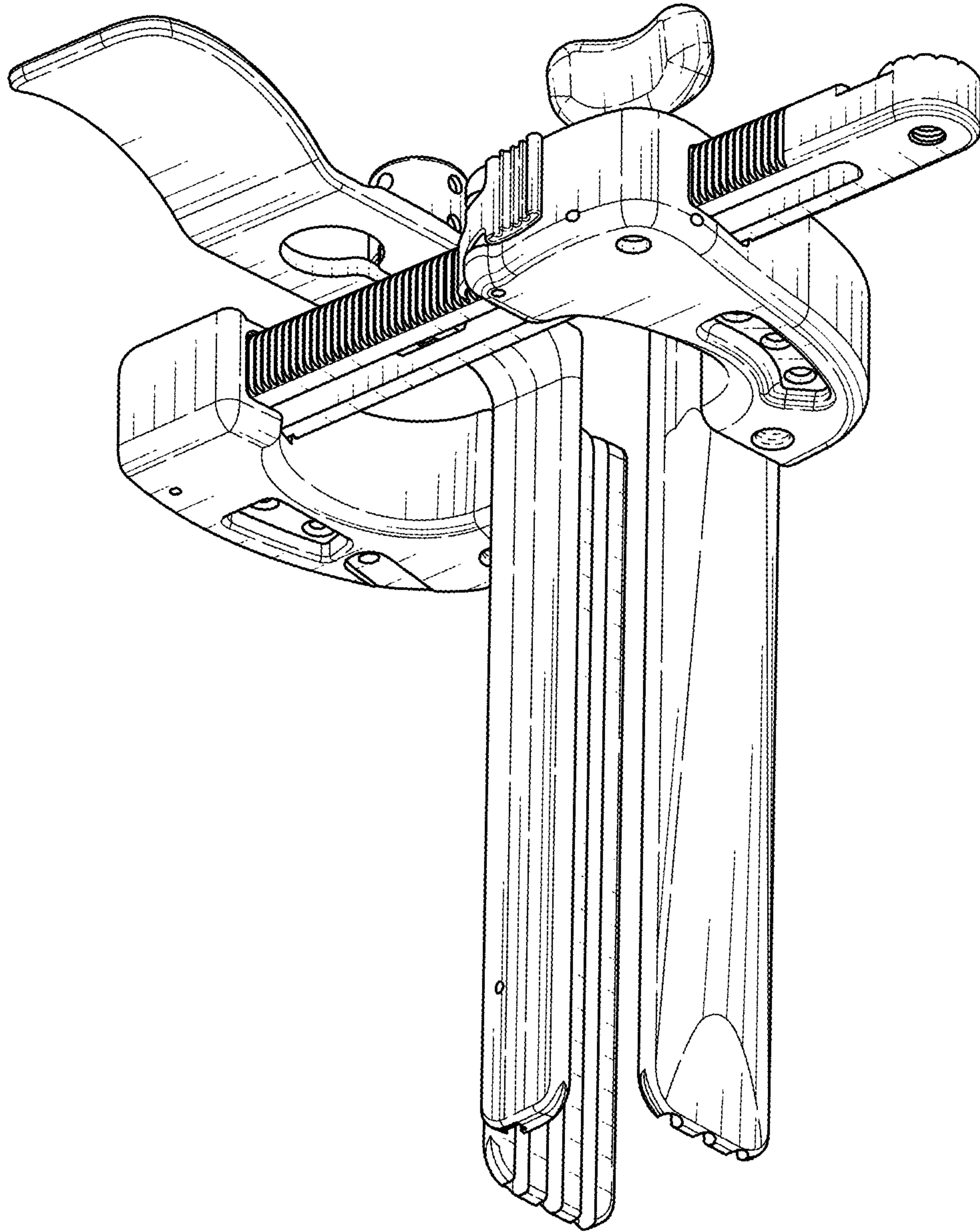


FIG. 2

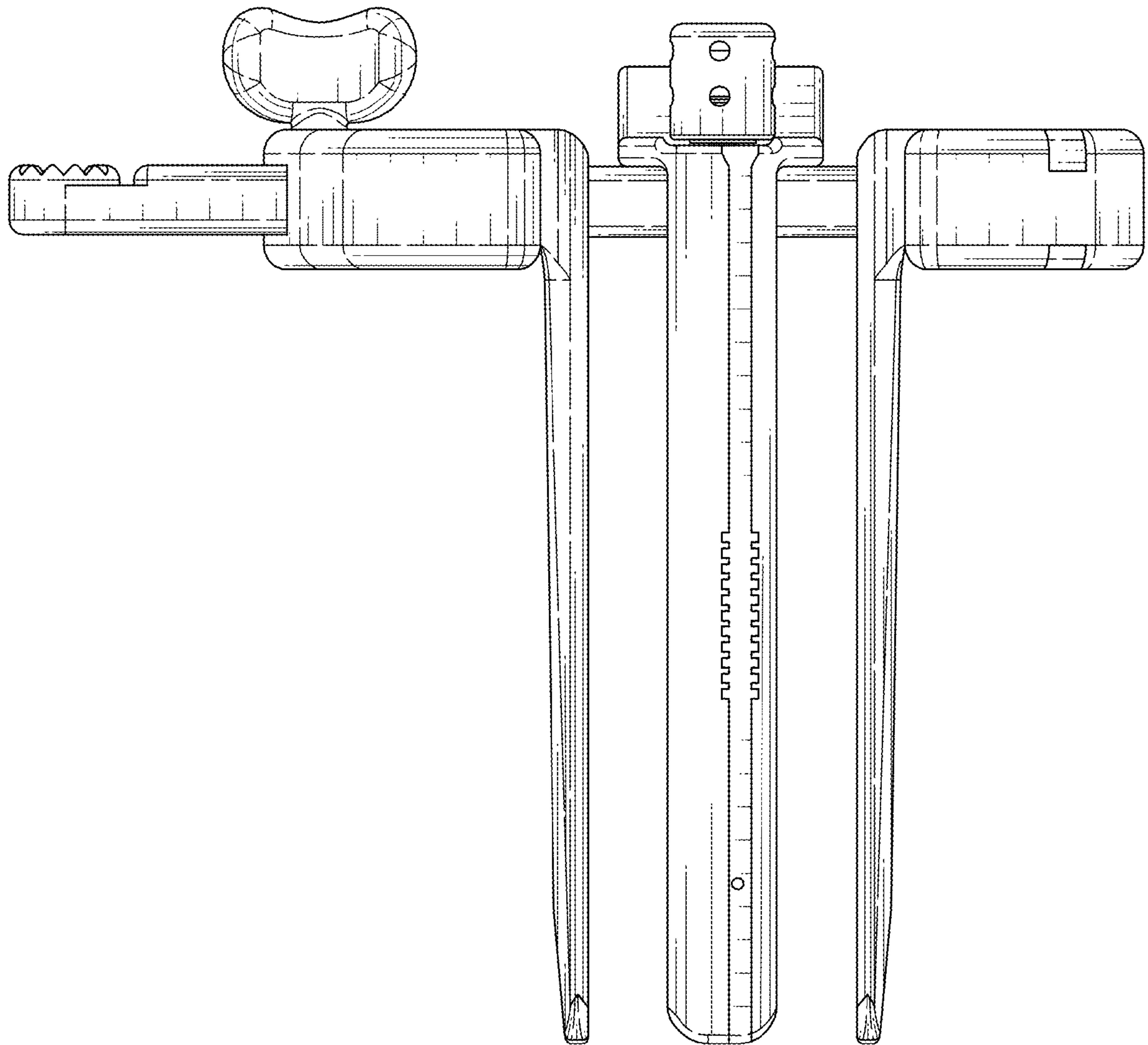


FIG. 3

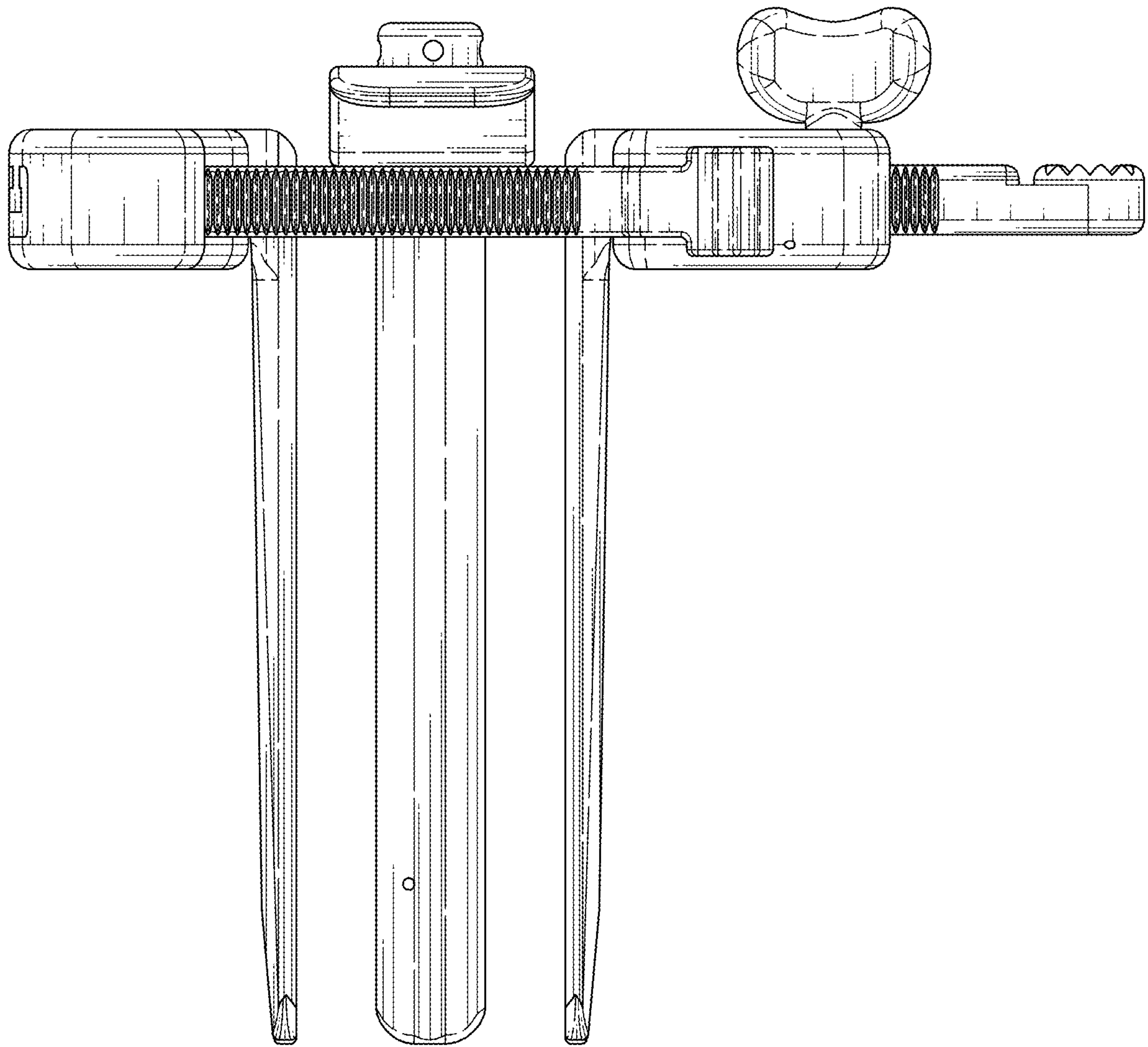


FIG. 4

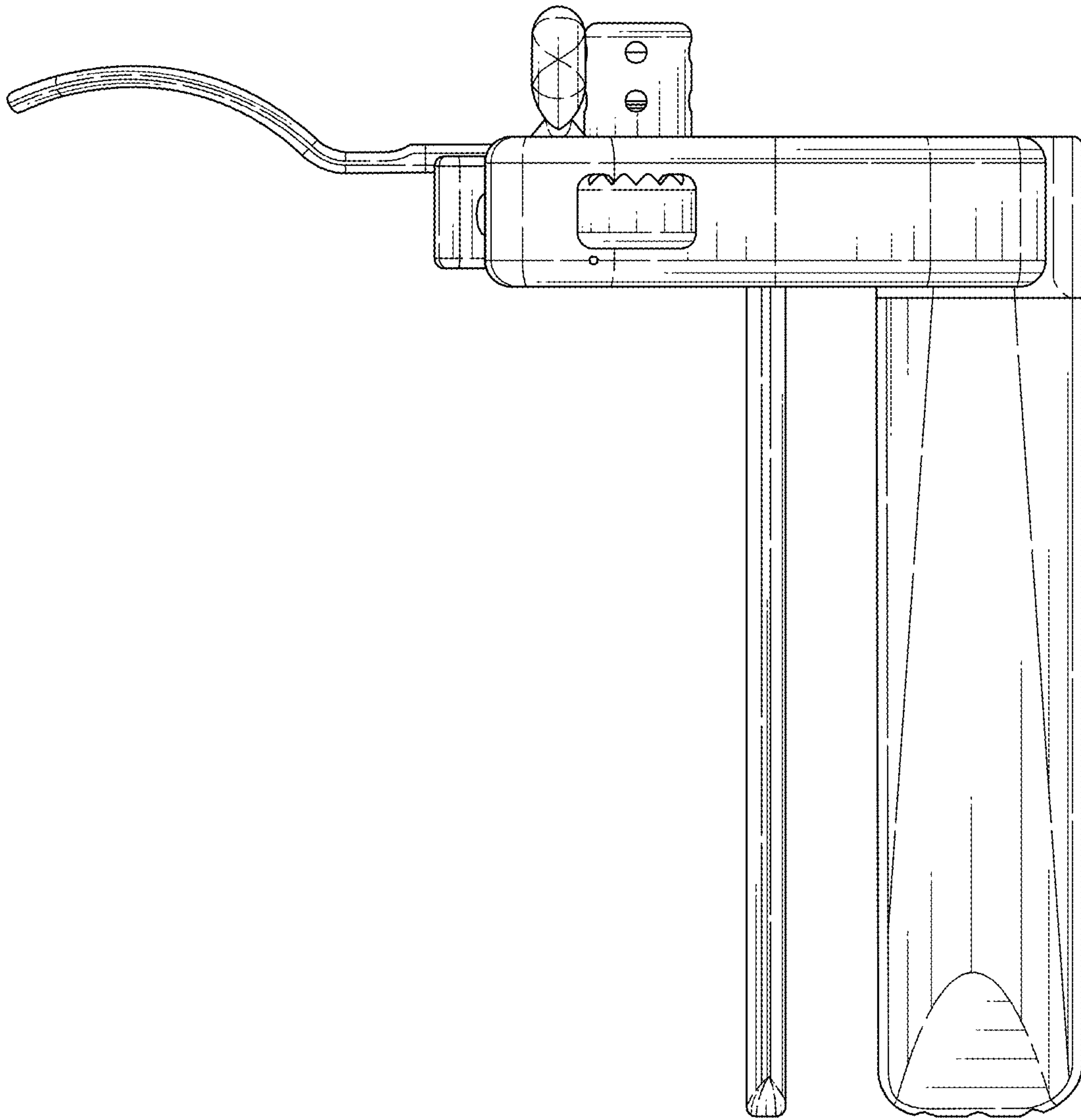


FIG. 5

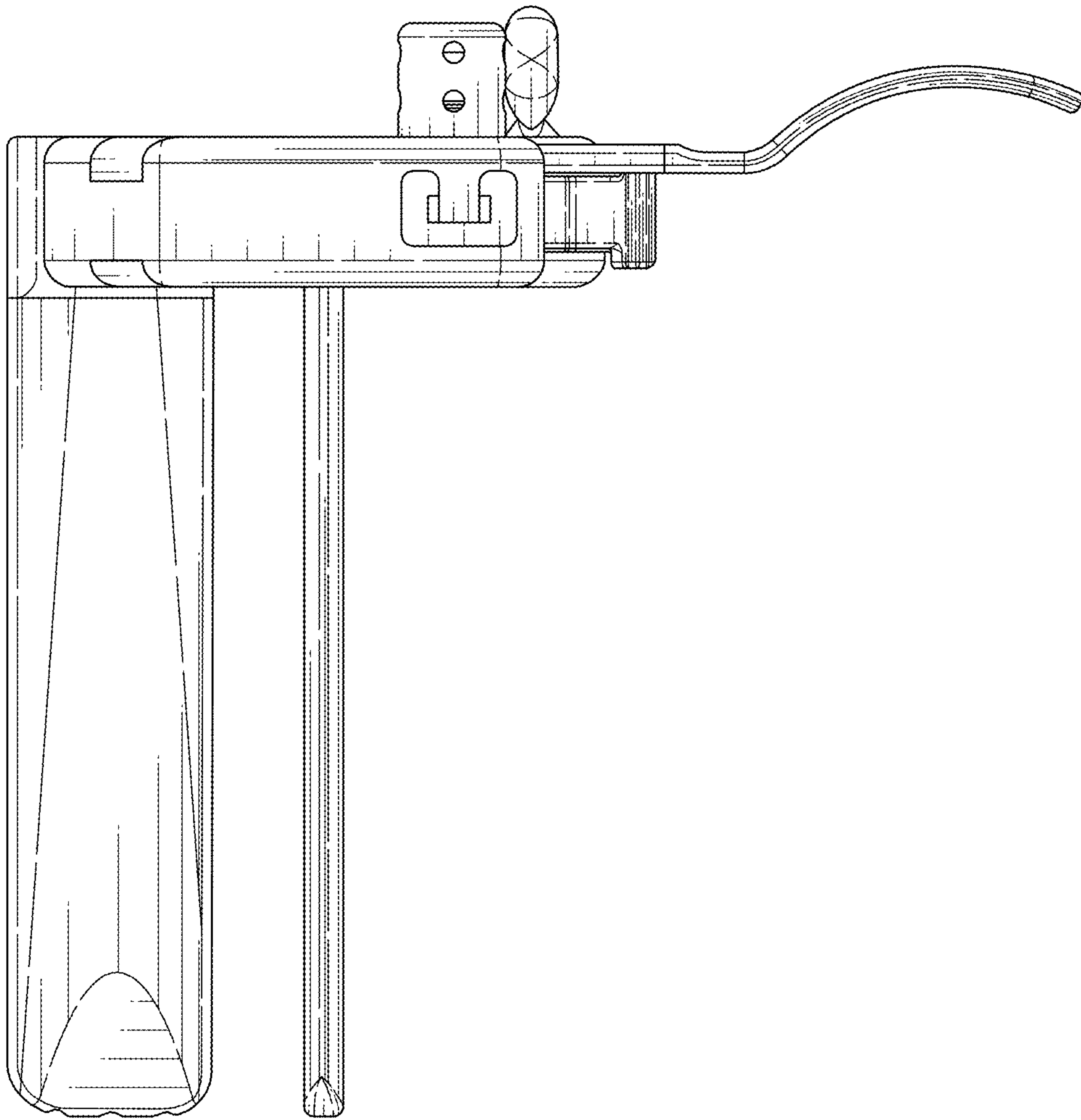


FIG. 6

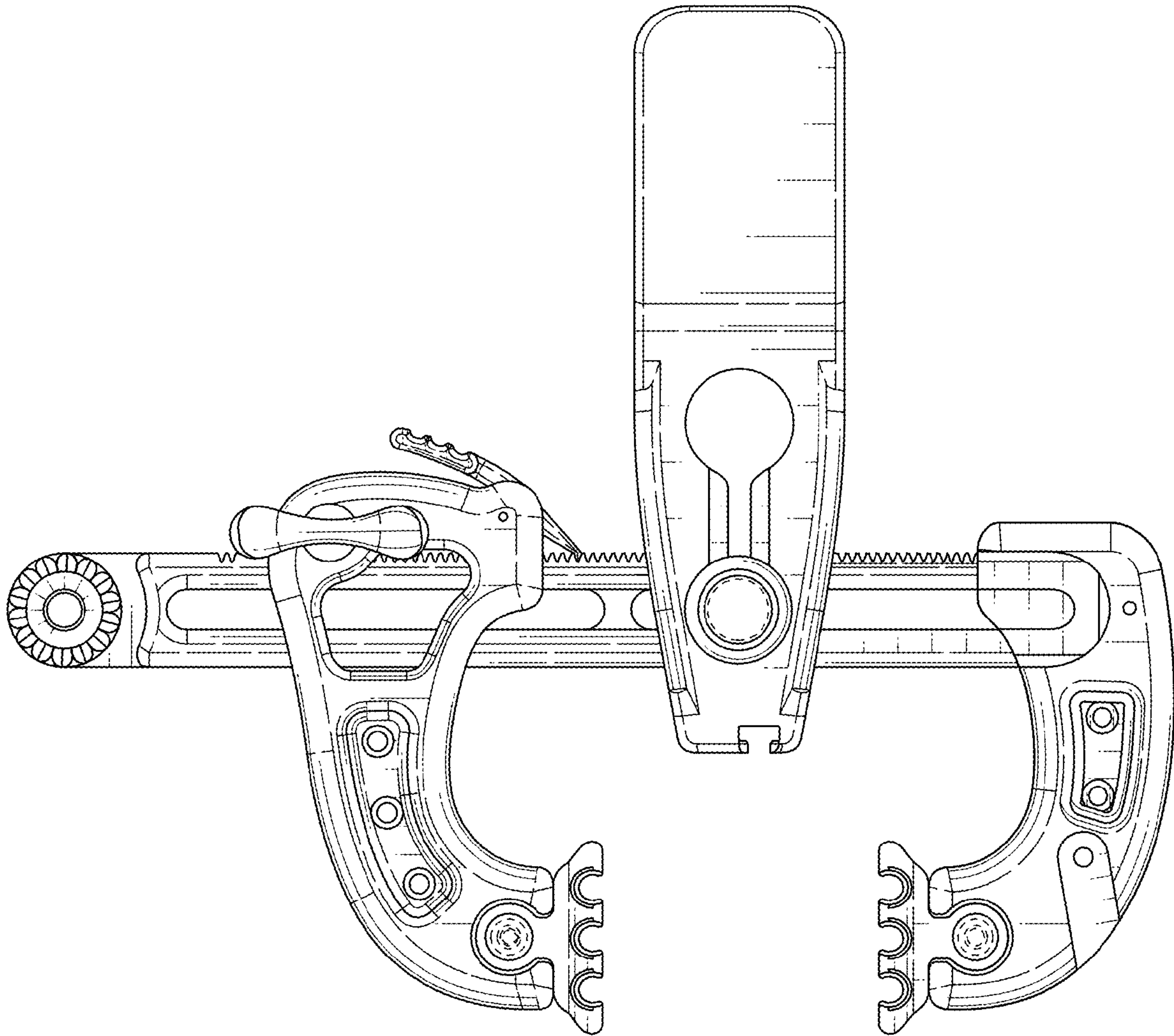


FIG. 7

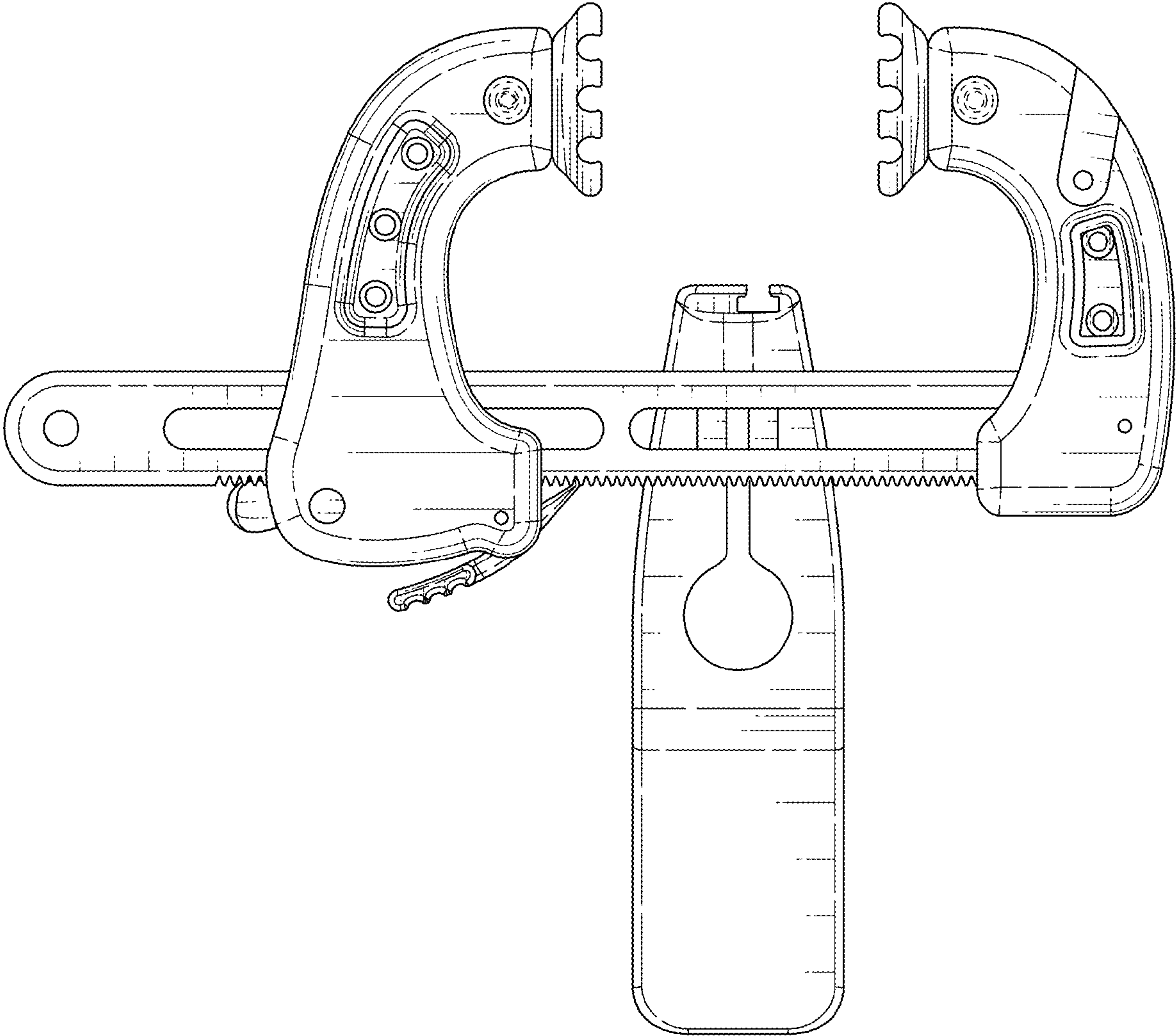


FIG. 8