



US00D956221S

(12) **United States Design Patent** (10) **Patent No.:** **US D956,221 S**
Deblois et al. (45) **Date of Patent:** **** Jun. 28, 2022**

(54) **END EFFECTOR SUPPORTING SUTURE NEEDLES IN VARIOUS ORIENTATIONS**

FOREIGN PATENT DOCUMENTS

(71) Applicant: **Covidien LP**, Mansfield, MA (US)

SE 542609 C2 6/2020

(72) Inventors: **Asa G. Deblois**, New Haven, CT (US);
Jonathan D. Thomas, New Haven, CT (US)

OTHER PUBLICATIONS

(73) Assignee: **Covidien LP**, Mansfield, MA (US)

International Search Report and Written Opinion of the International Searching Authority issued in corresponding application PCT/US2021/058889 dated Mar. 17, 2022 (15 pages).

(**) Term: **15 Years**

Primary Examiner — David G Muller

(21) Appl. No.: **29/759,386**

(74) *Attorney, Agent, or Firm* — Carter, DeLuca & Farrell LLP

(22) Filed: **Nov. 23, 2020**

(51) **LOC (13) Cl.** **24-02**

(52) **U.S. Cl.**
USPC **D24/130**

(58) **Field of Classification Search**
USPC D24/112–114, 108, 133, 130, 127, 186;
606/181, 185; 604/264, 272, 187, 181,
604/184, 227
CPC A61B 2017/0053; A61B 17/1155; A61B
17/295; A61M 5/178; A61M 3/00; A61M
5/20; A61M 5/31; A61M 5/3146; A61M
5/3129; A61M 5/3148; A61M 5/315
See application file for complete search history.

(57) **CLAIM**

The ornamental design for a end effector supporting suture needles in various orientations, substantially as shown and described.

(56) **References Cited**

DESCRIPTION

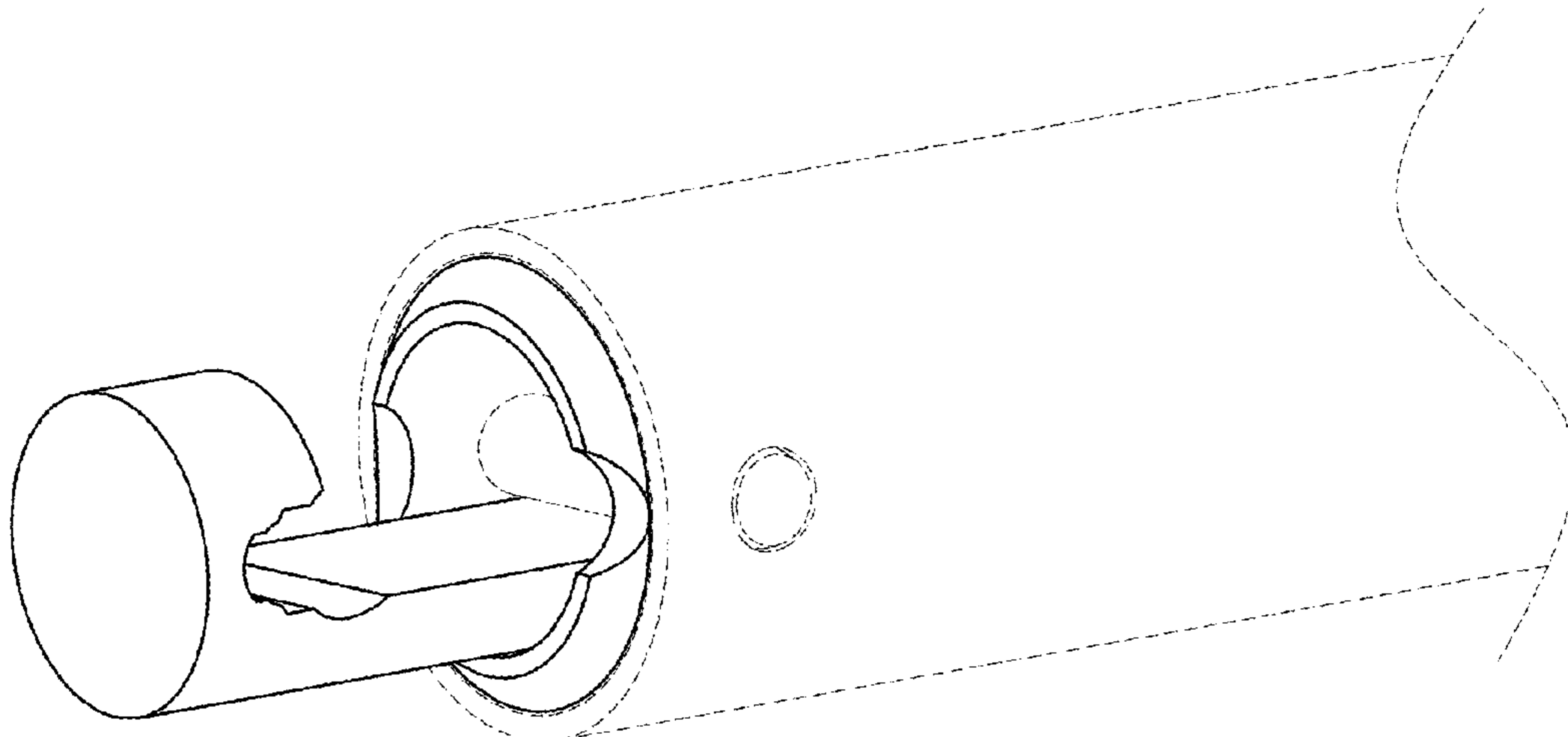
U.S. PATENT DOCUMENTS

2,363,334	A	11/1944	Jones	
5,759,188	A	6/1998	Yoon	
5,897,563	A	4/1999	Yoon et al.	
5,993,466	A	11/1999	Yoon	
6,126,665	A	10/2000	Yoon	
6,171,316	B1	1/2001	Kovac et al.	
D617,900	S *	6/2010	Kingsley	D24/146
8,906,043	B2	12/2014	Woodard, Jr. et al.	
9,125,646	B2	9/2015	Woodard, Jr. et al.	
9,277,916	B2	3/2016	Martin et al.	
9,351,731	B2 *	5/2016	Carter	A61B 17/105
9,427,226	B2	8/2016	Martin et al.	
9,451,946	B2	9/2016	Woodard, Jr. et al.	

FIG. 1 is a perspective view of a end effector supporting suture needles in various orientations including a recessed portion configured to support various suture needles in various orientations in accordance with the disclosure, illustrating the end effector supporting suture needles in various orientations coupled to an elongate portion of a surgical instrument (shown in broken lines); FIG. 2 is a side view of the end effector supporting suture needles in various orientations of FIG. 1; FIG. 3 is a front end view of the end effector supporting suture needles in various orientations of FIG. 1; FIG. 4 is a top view of the end effector supporting suture needles in various orientations of FIG. 1; and, FIG. 5 is a bottom view of the end effector supporting suture needles in various orientations of FIG. 1. The broken lines in the figures show portions of the end effector supporting suture needles in various orientations that form no part of the claimed design.

(Continued)

1 Claim, 3 Drawing Sheets



(56)

References Cited

U.S. PATENT DOCUMENTS

9,579,099 B2 * 2/2017 Penna A61B 50/30
9,585,655 B2 3/2017 Woodard, Jr. et al.
9,814,457 B2 11/2017 Martin et al.
9,913,639 B2 3/2018 Woodard, Jr.
10,039,549 B2 * 8/2018 Williams A61B 17/105
10,179,361 B2 * 1/2019 Honsa B21J 15/02
10,849,680 B2 * 12/2020 Robert B25J 15/0226
D910,848 S * 2/2021 Garcia D24/145
11,141,162 B2 * 10/2021 Sgroi, Jr. A61B 17/072
11,166,728 B2 * 11/2021 Sgroi, Jr. A61B 17/1155
11,173,617 B2 * 11/2021 Farritor A61B 17/00234
11,202,635 B2 * 12/2021 Guerrero A61B 17/1155
11,234,699 B2 * 2/2022 Shelton, IV B29C 65/48
11,234,704 B2 * 2/2022 Eisinger A61B 17/34
2016/0030036 A1 2/2016 Belman et al.
2020/0046341 A1 2/2020 Skinlo et al.

* cited by examiner

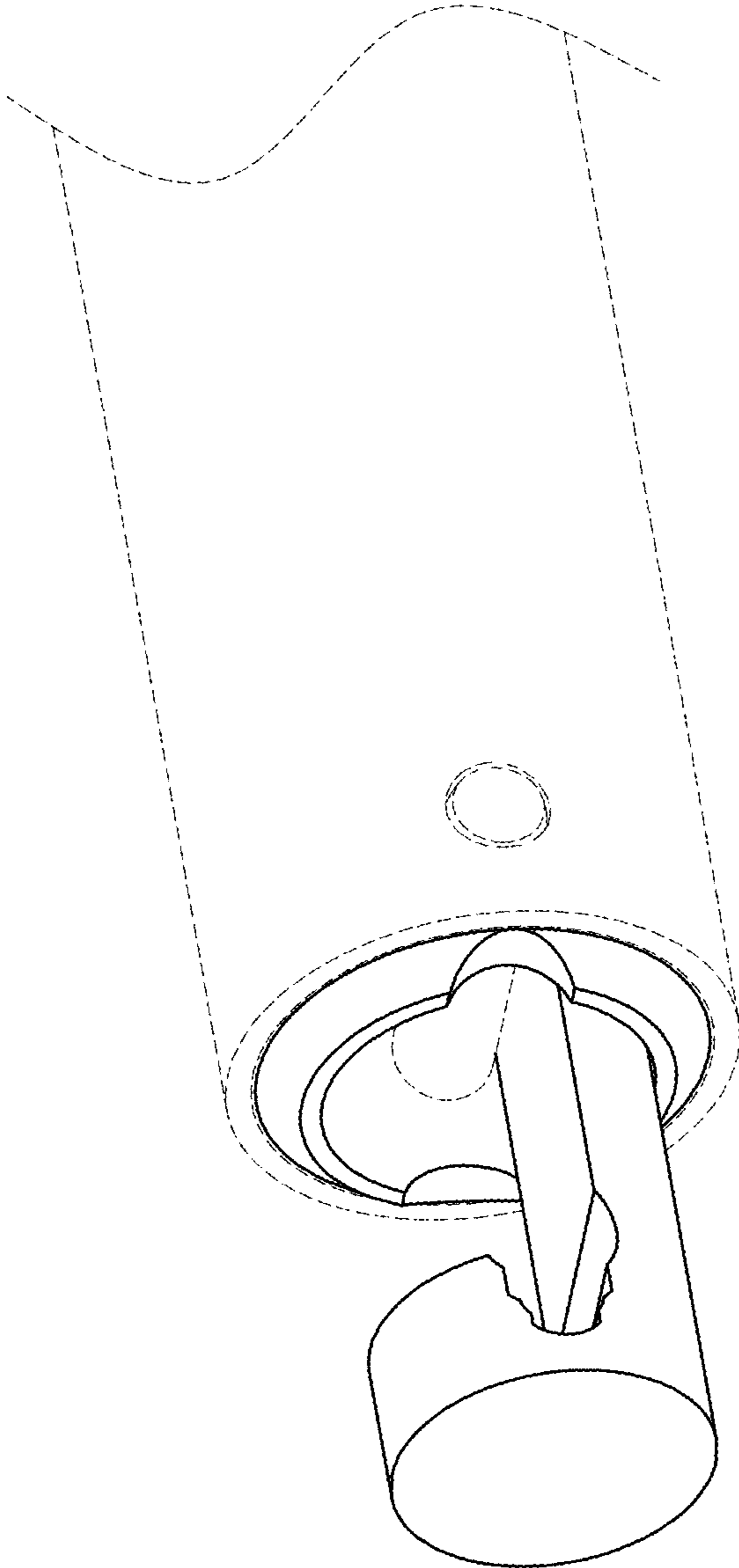


FIG. 1

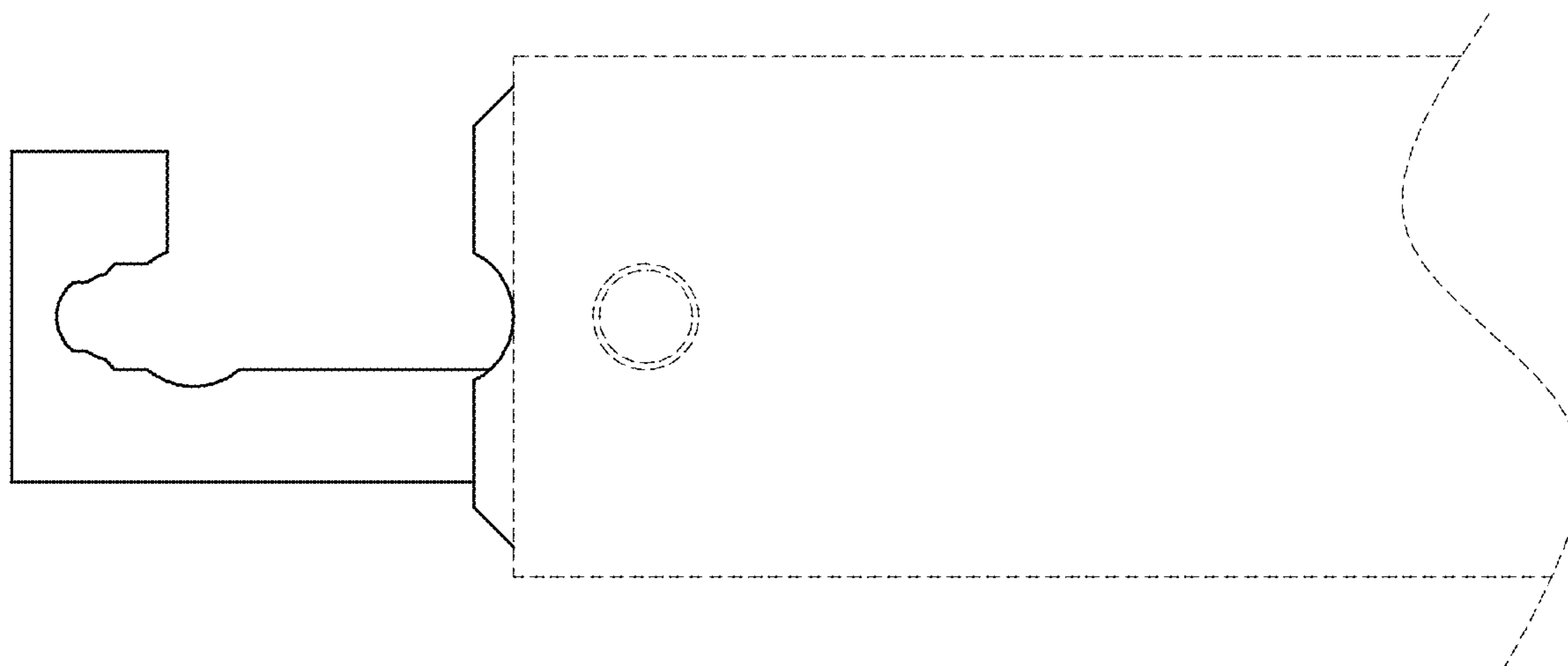


FIG. 2

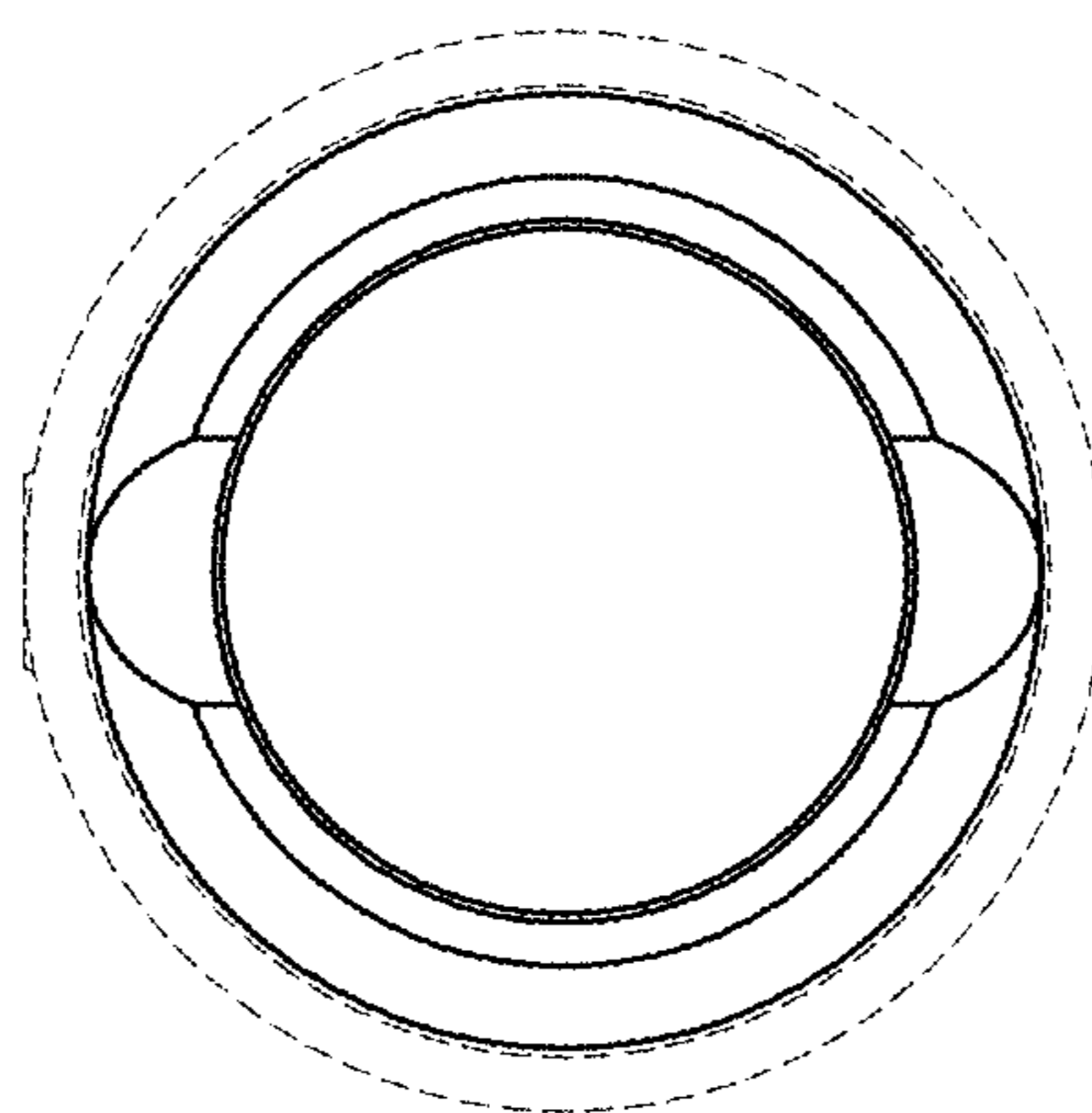


FIG. 3

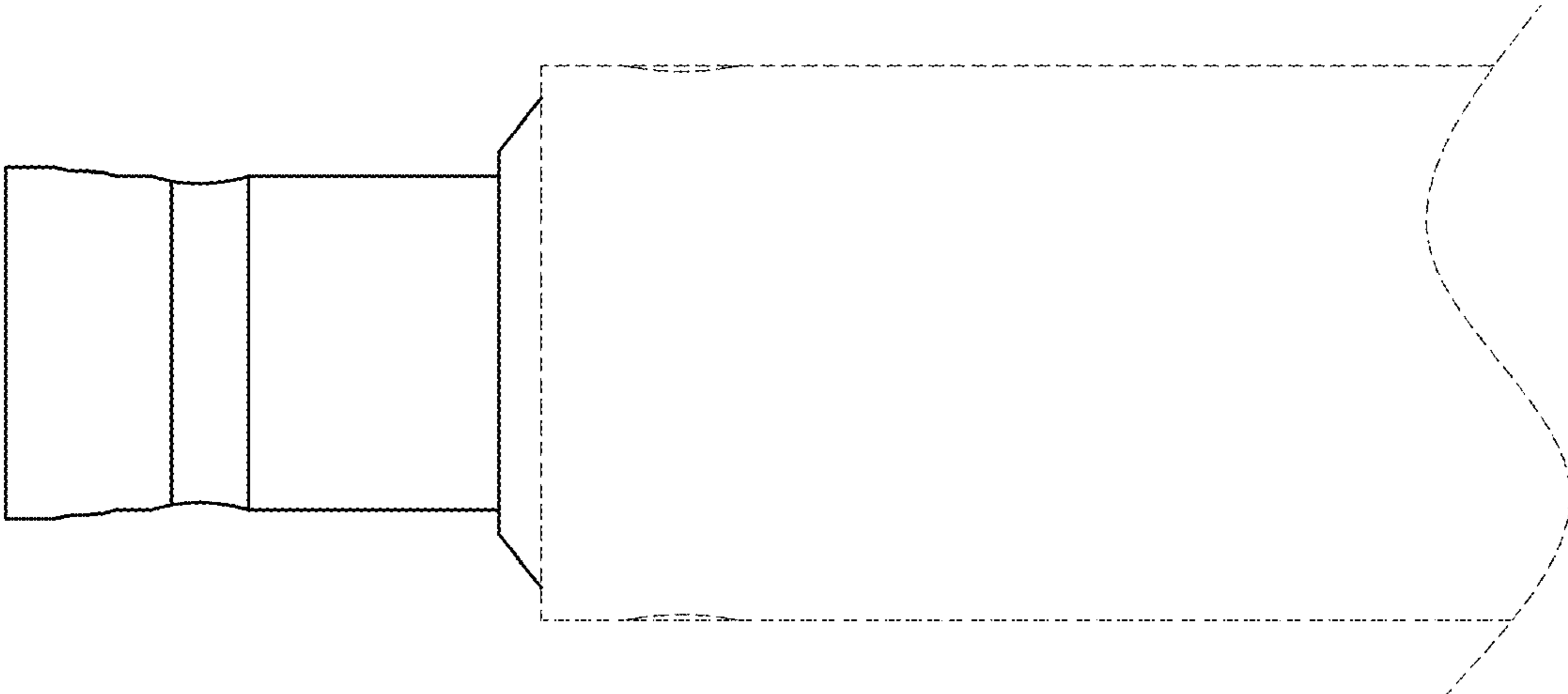


FIG. 4

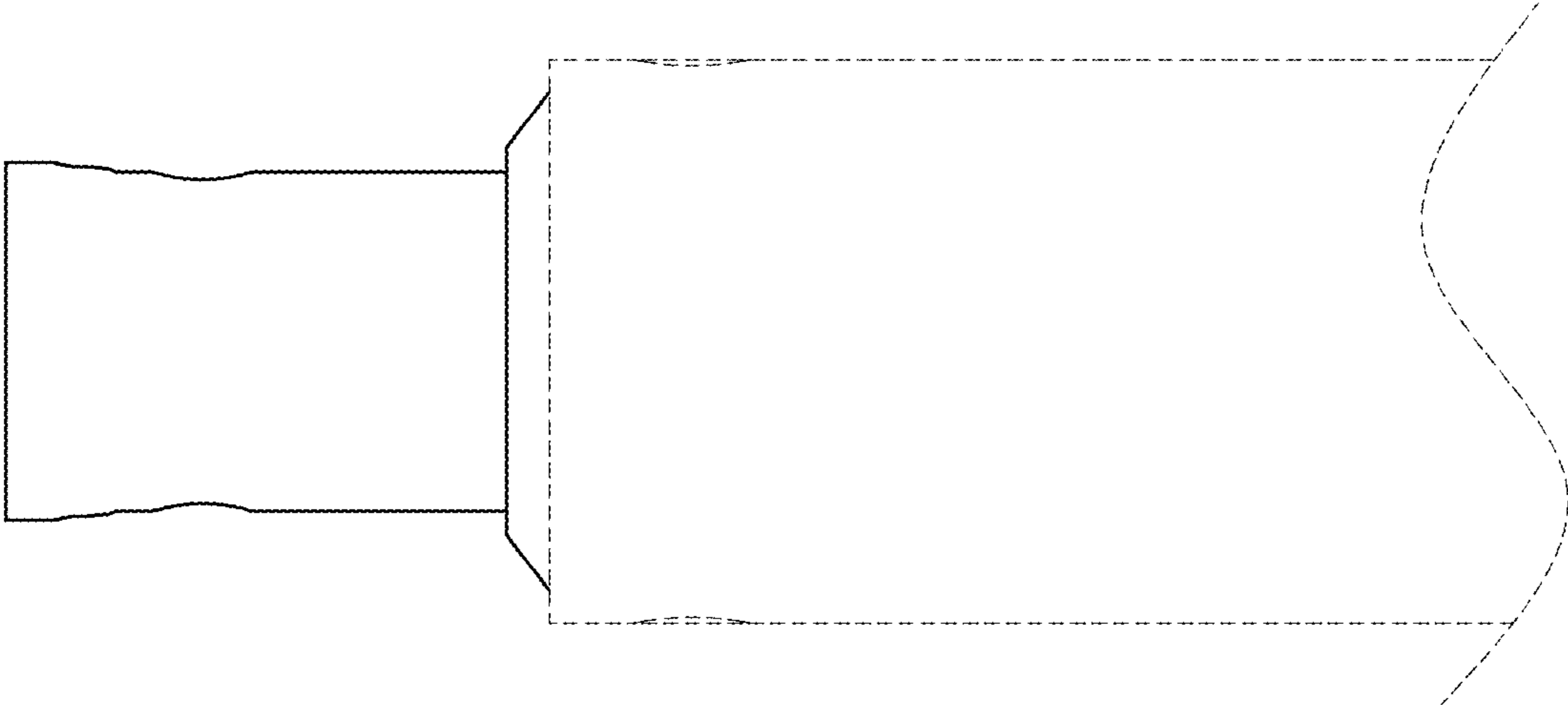


FIG. 5