



US00D956219S

(12) **United States Design Patent** (10) **Patent No.:** **US D956,219 S**
Seow et al. (45) **Date of Patent:** **** Jun. 28, 2022**

(54) **PORT APPARATUS**

FOREIGN PATENT DOCUMENTS

(71) Applicant: **Covidien LP**, Mansfield, MA (US)

KR 300928810.0000 * 10/2017
KR 301099309.0000 * 3/2021

(72) Inventors: **Chi Min Seow**, Watertown, MA (US);
Brian A. Rockrohr, Guilford, CT (US)

OTHER PUBLICATIONS

(73) Assignee: **COVIDIEN LP**, Mansfield, MA (US)

DT-212 CONMED IPORT 12x100MM DTG TROCAR 2PK 6/CS, Conmed, MedEquip Depot, [Postdate unknow], [Site seen Feb. 9, 2022], Seen at URL: https://www.medequipdepot.com/dt-212-conmed-1port-12x100mm-dtg-trocar-2pk-6-cs/?utm_term=&utm_campaign=&utm_source=adwords&utm_me%E2%80%A6 (Year: 2022).*

(**) Term: **15 Years**

(21) Appl. No.: **29/741,288**

(Continued)

(22) Filed: **Jul. 10, 2020**

(51) **LOC (13) Cl.** **24-02**

Primary Examiner — Natasha Vujcic
Assistant Examiner — Gilbert B Ford

(52) **U.S. Cl.**

(74) *Attorney, Agent, or Firm* — Carter, DeLuca & Farrell LLP

USPC **D24/129**

(58) **Field of Classification Search**

USPC D24/129, 146, 147, 133
CPC A61B 17/809; A61B 17/1617; A61B 17/3211; A61B 5/1411; A61B 17/3417

(57) **CLAIM**

We claim, the ornamental design for a port apparatus, as shown and described.

See application file for complete search history.

DESCRIPTION

(56) **References Cited**

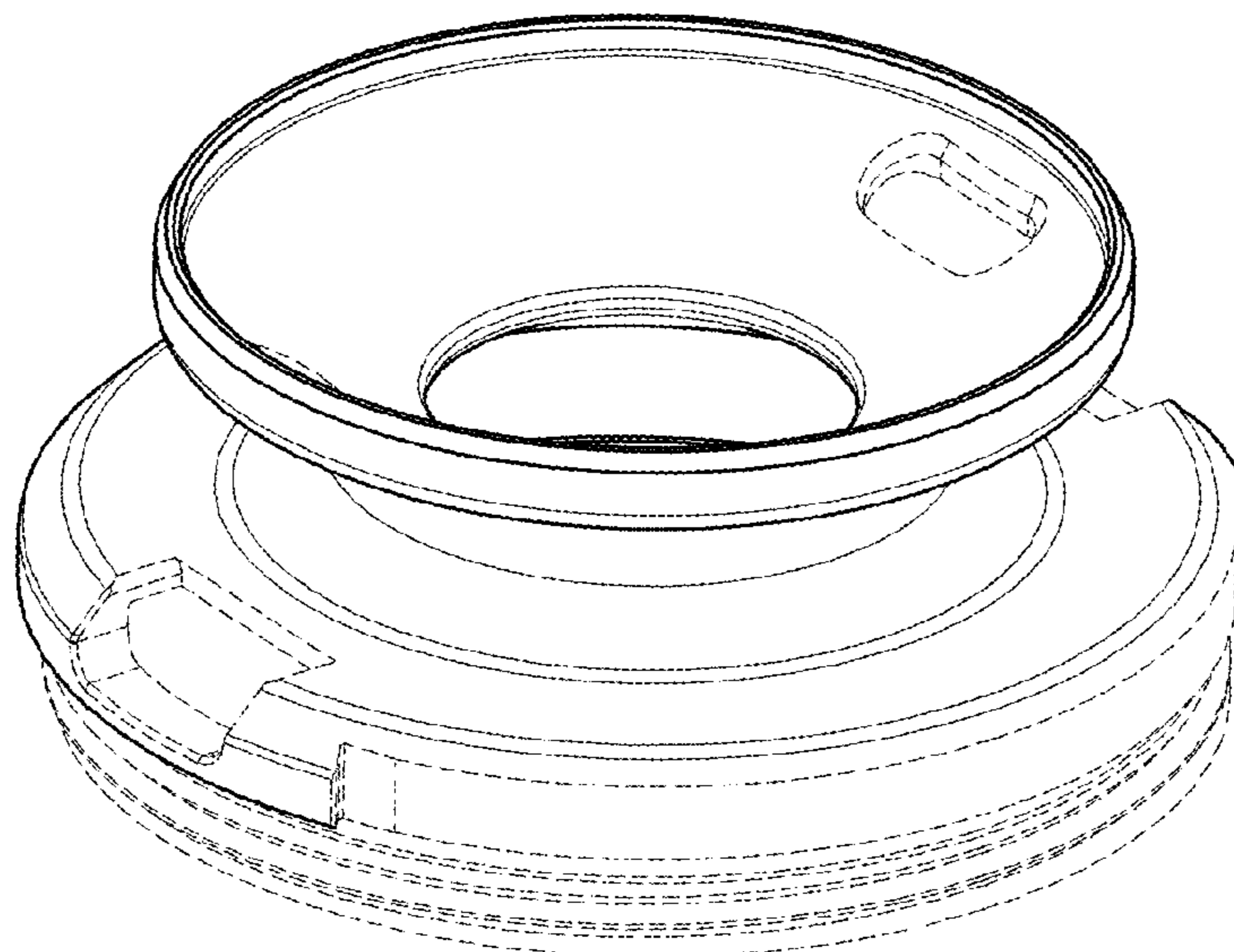
U.S. PATENT DOCUMENTS

6,478,806	B2	11/2002	McFarlane	
6,656,198	B2	12/2003	Tsonton et al.	
6,884,253	B1	4/2005	McFarlane	
6,989,003	B2	1/2006	Wing et al.	
7,011,314	B2	3/2006	McFarlane	
7,163,525	B2	1/2007	Franer	
D542,918	S *	5/2007	Albrecht D24/146
7,371,227	B2	5/2008	Zeiner	
7,390,317	B2	6/2008	Taylor et al.	
7,438,702	B2	10/2008	Hart et al.	
7,481,795	B2	1/2009	Thompson et al.	
7,585,288	B2	9/2009	Haberland et al.	
7,585,290	B2	9/2009	Kathrani et al.	
7,591,802	B2	9/2009	Johnson et al.	
7,597,701	B2	10/2009	Hueil et al.	
7,637,896	B2	12/2009	Voegele et al.	

(Continued)

FIG. 1 is a perspective view of a port apparatus in accordance with the present design;
FIG. 2 is top view of the port apparatus of FIG. 1;
FIG. 3 is a front, elevational view of the port apparatus of FIG. 1;
FIG. 4 is a right, side elevational view of the port apparatus of FIG. 1;
FIG. 5 is a rear, elevational view of the port apparatus of FIG. 1;
FIG. 6 is a left, side elevational view of the port apparatus of FIG. 1; and,
FIG. 7 is a perspective view of the port apparatus of FIG. 1, the port apparatus of FIG. 1 shown coupled to other port apparatus (shown in broken lines).
The broken lines in the drawings illustrate portions of the port apparatus and form no part of the claimed design.

1 Claim, 4 Drawing Sheets



(56)

References Cited

U.S. PATENT DOCUMENTS

7,686,823 B2	3/2010	Pingleton et al.	9,131,958 B2	9/2015	Lunn et al.
7,708,713 B2	5/2010	Albrecht et al.	9,149,294 B2	10/2015	Webb
7,722,570 B2	5/2010	Almond et al.	9,155,558 B2	10/2015	Albrecht et al.
7,727,255 B2	6/2010	Taylor et al.	9,232,963 B2	1/2016	Albrecht et al.
7,758,603 B2 *	7/2010	Taylor A61M 13/003	9,247,862 B2	2/2016	Shen et al.
		606/185	9,254,125 B2	2/2016	Pingleton et al.
7,780,639 B2	8/2010	Van Lue	9,254,148 B2	2/2016	Hart
7,785,294 B2	8/2010	Hueil et al.	9,259,238 B2	2/2016	Albrecht et al.
7,789,861 B2	9/2010	Franer	9,265,899 B2	2/2016	Albrecht et al.
7,798,991 B2	9/2010	Insignares	9,295,490 B2	3/2016	Stearns et al.
7,842,013 B2	11/2010	Haberland et al.	D753,303 S *	4/2016	Dannaher D24/146
7,918,826 B2	4/2011	Armstrong et al.	9,314,266 B2	4/2016	Kahle et al.
7,931,623 B2	4/2011	Wing et al.	9,314,269 B2	4/2016	Webb et al.
7,947,058 B2	5/2011	Kahle et al.	9,358,040 B2	6/2016	Kahle et al.
7,967,791 B2	6/2011	Franer et al.	9,358,041 B2	6/2016	Moreno, Jr. et al.
7,976,501 B2	7/2011	Franer et al.	9,398,924 B2	7/2016	Webb
8,012,128 B2	9/2011	Franer et al.	9,468,463 B2	10/2016	Albrecht et al.
8,029,474 B2	10/2011	Chung	9,486,241 B2	11/2016	Zeiner et al.
8,029,475 B2	10/2011	Franer et al.	9,492,062 B2	11/2016	Taylor et al.
8,034,032 B2	10/2011	Voegele et al.	9,545,248 B2	1/2017	Taylor et al.
8,043,319 B2	10/2011	Lyon et al.	9,545,264 B2	1/2017	Mastri et al.
8,066,729 B2	11/2011	Mazzolla et al.	D785,175 S	4/2017	Zhou et al.
8,079,986 B2	12/2011	Taylor et al.	9,655,643 B2	5/2017	Kahle et al.
8,092,431 B2	1/2012	Lunn et al.	D790,700 S *	6/2017	Zhou D24/146
8,100,929 B2	1/2012	Franer et al.	D794,791 S *	8/2017	Zhou D24/146
8,109,911 B2	2/2012	Taylor et al.	D797,288 S *	9/2017	Zhou D24/146
8,128,590 B2	3/2012	Albrecht et al.	D797,289 S *	9/2017	Zhou D24/146
8,147,453 B2	4/2012	Albrecht et al.	9,775,642 B2	10/2017	Azarbarzin et al.
8,147,457 B2	4/2012	Michael et al.	9,795,409 B2	10/2017	Kreuz et al.
8,147,458 B2	4/2012	Hart et al.	9,814,491 B2	11/2017	Franer
8,152,773 B2	4/2012	Albrecht et al.	9,827,383 B2	11/2017	Minnelli et al.
8,152,828 B2	4/2012	Taylor et al.	9,833,259 B2	12/2017	McGinley et al.
8,157,835 B2	4/2012	Taylor et al.	9,888,942 B1	2/2018	Savage et al.
8,167,843 B2	5/2012	Albrecht et al.	D813,389 S *	3/2018	Zhou D24/146
8,206,411 B2	6/2012	Thompson et al.	D814,032 S *	3/2018	Zhou D24/146
8,221,364 B2	7/2012	Voegele et al.	10,022,150 B2	7/2018	Kahle et al.
8,231,579 B2	7/2012	Moran et al.	10,070,887 B2	9/2018	Lambrecht et al.
8,262,623 B2	9/2012	Nijland et al.	10,098,661 B2	10/2018	Zhou
8,267,952 B2	9/2012	Kahle et al.	10,149,699 B2	12/2018	Webb et al.
8,273,060 B2	9/2012	Moreno, Jr. et al.	10,201,370 B2	2/2019	Zhou
8,360,969 B2	1/2013	Hanypsiak et al.	10,201,396 B2	2/2019	Rosenbaum et al.
8,377,090 B2	2/2013	Taylor et al.	10,226,589 B2	3/2019	Albrecht et al.
8,398,666 B2	3/2013	McFarlane	10,251,638 B2	4/2019	Hess et al.
8,419,635 B2	4/2013	Shelton, IV et al.	10,285,688 B2	5/2019	Hess et al.
8,430,851 B2	4/2013	McGinley et al.	10,299,785 B2	5/2019	Hess et al.
8,444,557 B2	5/2013	Schleitweiler et al.	10,349,929 B2 *	7/2019	Berti A61B 17/3421
8,449,460 B2	5/2013	Duke et al.	10,368,906 B2	8/2019	Taylor et al.
8,454,563 B2	6/2013	Insignares et al.	10,398,296 B2	9/2019	Rosenbaum et al.
8,491,533 B2	7/2013	Parihar et al.	10,420,544 B2	9/2019	Hess et al.
8,506,520 B2	8/2013	Kahle et al.	10,426,461 B2	10/2019	Hess et al.
8,517,977 B2	8/2013	Taylor et al.	10,478,219 B2 *	11/2019	McGinley A61B 17/0218
8,523,895 B2	9/2013	Mazzolla et al.	10,485,580 B2	11/2019	Parihar et al.
8,568,362 B2	10/2013	Moreno, Jr. et al.	10,492,824 B2	12/2019	Kim
8,579,807 B2	11/2013	Moreno, Jr. et al.	10,568,619 B2	2/2020	Shelton, IV et al.
8,608,768 B2	12/2013	Taylor et al.	10,568,658 B2	2/2020	Kahle et al.
8,608,769 B2	12/2013	Kahle et al.	10,568,660 B2	2/2020	Zhou
8,622,969 B2	1/2014	Albrecht et al.	D878,606 S	3/2020	Minnelli et al.
8,636,686 B2	1/2014	Minnelli et al.	10,575,871 B2	3/2020	Chen et al.
8,636,759 B2	1/2014	Pingleton et al.	10,588,658 B2 *	3/2020	Kiev A61B 17/3496
8,672,890 B2	3/2014	Franer et al.	10,639,068 B2	5/2020	Parihar et al.
8,684,975 B2	4/2014	Albrecht et al.	10,653,449 B2	5/2020	Main et al.
8,728,037 B2	5/2014	Franer	D887,002 S *	6/2020	Geng D24/146
8,771,307 B2	7/2014	Franer et al.	10,675,009 B2	6/2020	Hess et al.
8,801,741 B2	8/2014	Ahlberg et al.	2010/0262166 A1 *	10/2010	Boraiah A61B 17/34
8,870,747 B2	10/2014	Moreno, Jr. et al.			606/148
8,870,904 B2	10/2014	Taylor et al.	2016/0228107 A1 *	8/2016	Madsen A61B 17/3417
8,932,249 B2	1/2015	Parihar et al.	2017/0119361 A1	5/2017	Hess et al.
8,939,946 B2	1/2015	Albrecht et al.	2018/0008313 A1	1/2018	Augelli et al.
8,940,009 B2	1/2015	Kahle et al.	2018/0104423 A1	4/2018	Minnelli et al.
8,961,451 B2	2/2015	Stearns et al.	2018/0289391 A1	10/2018	Fujii et al.
8,968,250 B2	3/2015	McGinley et al.	2018/0310959 A1	11/2018	Kahle et al.
9,033,929 B2	5/2015	Moreno et al.	2018/0325551 A1	11/2018	Kang
D735,852 S	8/2015	Minnelli et al.	2019/0000504 A1	1/2019	Terefe et al.
D737,444 S *	8/2015	Mueller D24/147	2019/0000506 A1	1/2019	Parihar et al.
9,119,663 B2	9/2015	Webb	2019/0059946 A1	2/2019	Lambrecht et al.
			2019/0090905 A1	3/2019	Hall et al.
			2019/0099201 A1	4/2019	Morgan et al.
			2019/0099202 A1	4/2019	Morgan et al.
			2019/0105076 A1	4/2019	Harris et al.

(56)

References Cited

U.S. PATENT DOCUMENTS

2019/0105078 A1 4/2019 Taylor et al.
 2019/0142454 A1* 5/2019 Kim A61B 17/3417
 604/164.01
 2019/0142458 A1 5/2019 Zhu
 2019/0142459 A1 5/2019 Zhu
 2019/0142460 A1 5/2019 Zhu
 2019/0142461 A1 5/2019 Zhu
 2019/0142462 A1 5/2019 Zhu
 2019/0142463 A1 5/2019 Zhu
 2019/0142464 A1 5/2019 Zhu
 2019/0142465 A1 5/2019 Zhu
 2019/0142466 A1 5/2019 Zhu
 2019/0150978 A1 5/2019 Dannaher
 2019/0150982 A1 5/2019 Wu et al.
 2019/0192793 A1 6/2019 Albrecht et al.
 2019/0216497 A1 7/2019 Doerr et al.
 2019/0268581 A1* 8/2019 Miyazaki A61B 1/00
 2019/0290321 A1* 9/2019 Zhu A61B 17/3421
 2019/0290326 A1* 9/2019 Zhu A61B 17/3423
 2019/0298329 A1 10/2019 Berti et al.
 2019/0343552 A1* 11/2019 Yaffe A61B 17/3403
 2019/0344014 A1* 11/2019 Murakami B24B 5/04
 2019/0350618 A1 11/2019 Taylor et al.

2019/0350619 A1* 11/2019 Fujii A61B 1/313
 2019/0365378 A1* 12/2019 Heneveld A61B 17/0491
 2019/0380742 A1 12/2019 Hall et al.
 2020/0008663 A1 1/2020 Rosenbaum et al.
 2020/0015853 A1 1/2020 Hall et al.
 2020/0038059 A1 2/2020 McGinley et al.
 2020/0046342 A1 2/2020 Hess et al.

OTHER PUBLICATIONS

VersaOne™ Fascial Closure System In-Service Video, Medtronic, Youtube, [Post date Apr. 3, 2020], [Site seen Feb. 9, 2022], Seen at URL: <https://www.youtube.com/watch?v=ML8aDIEV6jA> (Year: 2020).*

Trocars Market 2020 Global Research and Clinical Analysis—B Braun Medical Inc., CONMED, [Post Date Feb. 7, 2020], [Site seen Feb. 9, 2022], Seen at URL: <https://www.openpr.com/news/1922953/trocars-market-2020-global-research-and-clinical-analysis-b> (Year: 2020).*

VersaOne™ Fascial Closure System, Medtronic, [Postdate unknown], [Site seen Feb. 9, 2022], Seen at URL: <https://www.medtronic.com/covidien/en-us/products/trocars-access/port-site-closure-devices.html> (Year: 2022).*

* cited by examiner

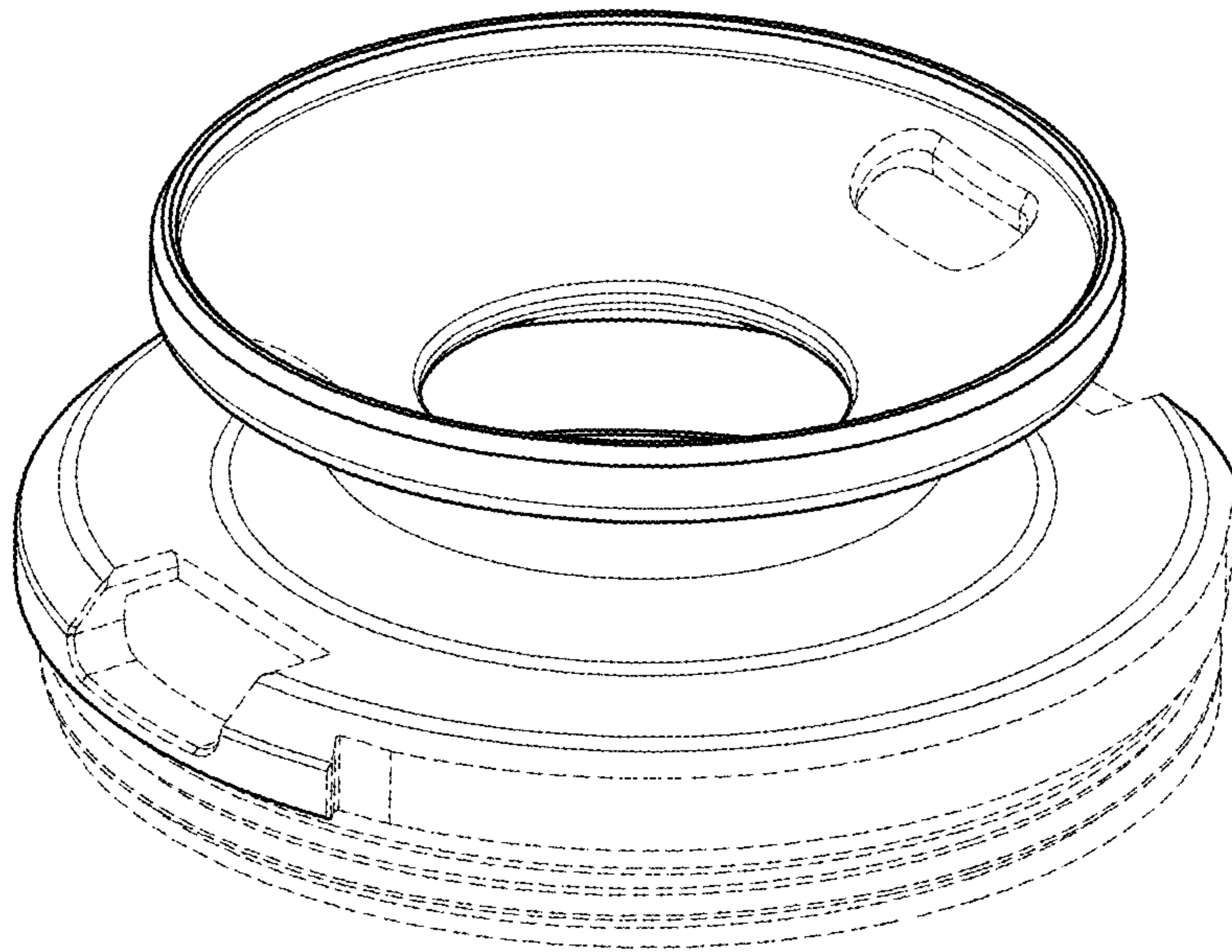


FIG. 1

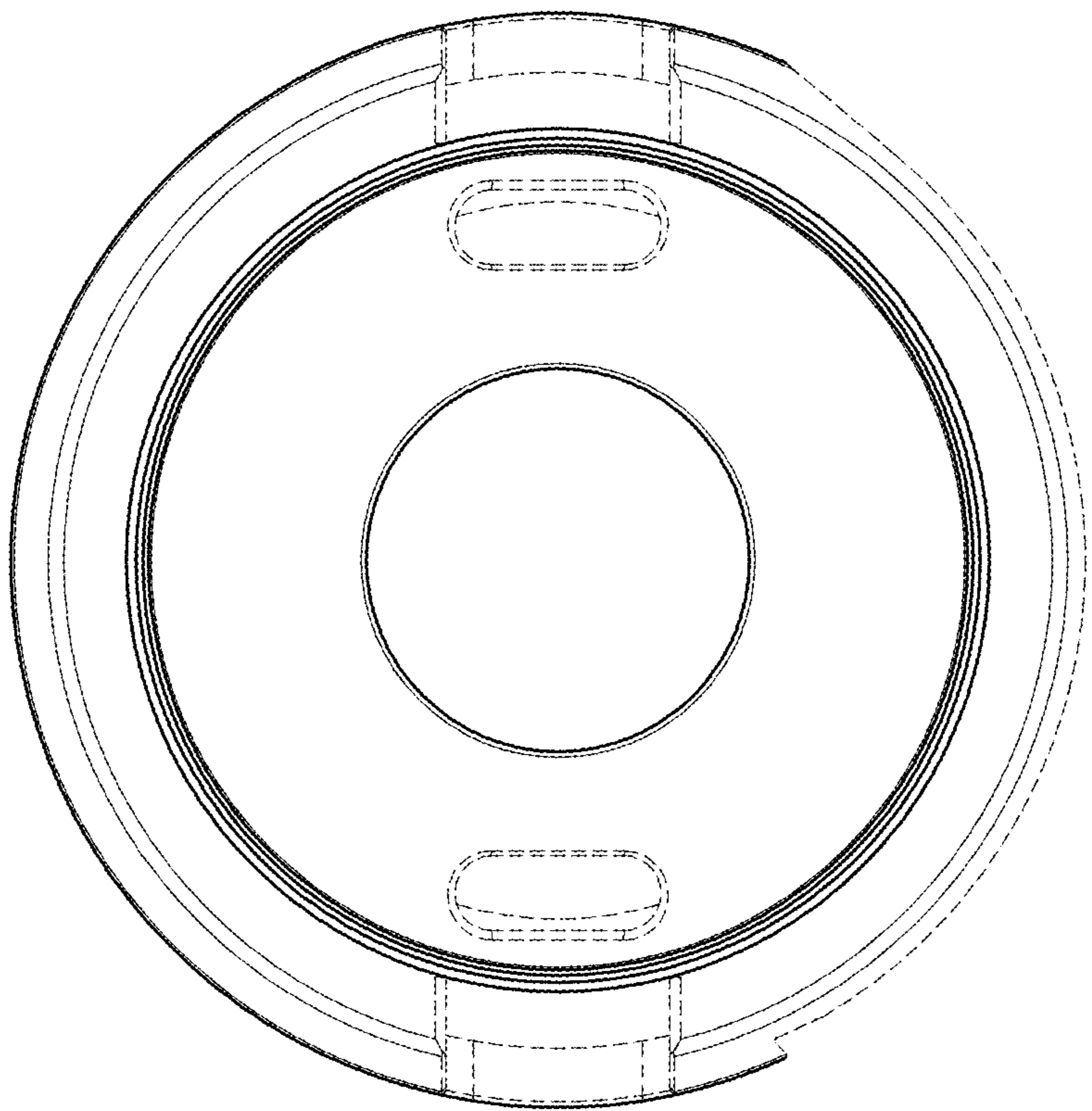


FIG. 2

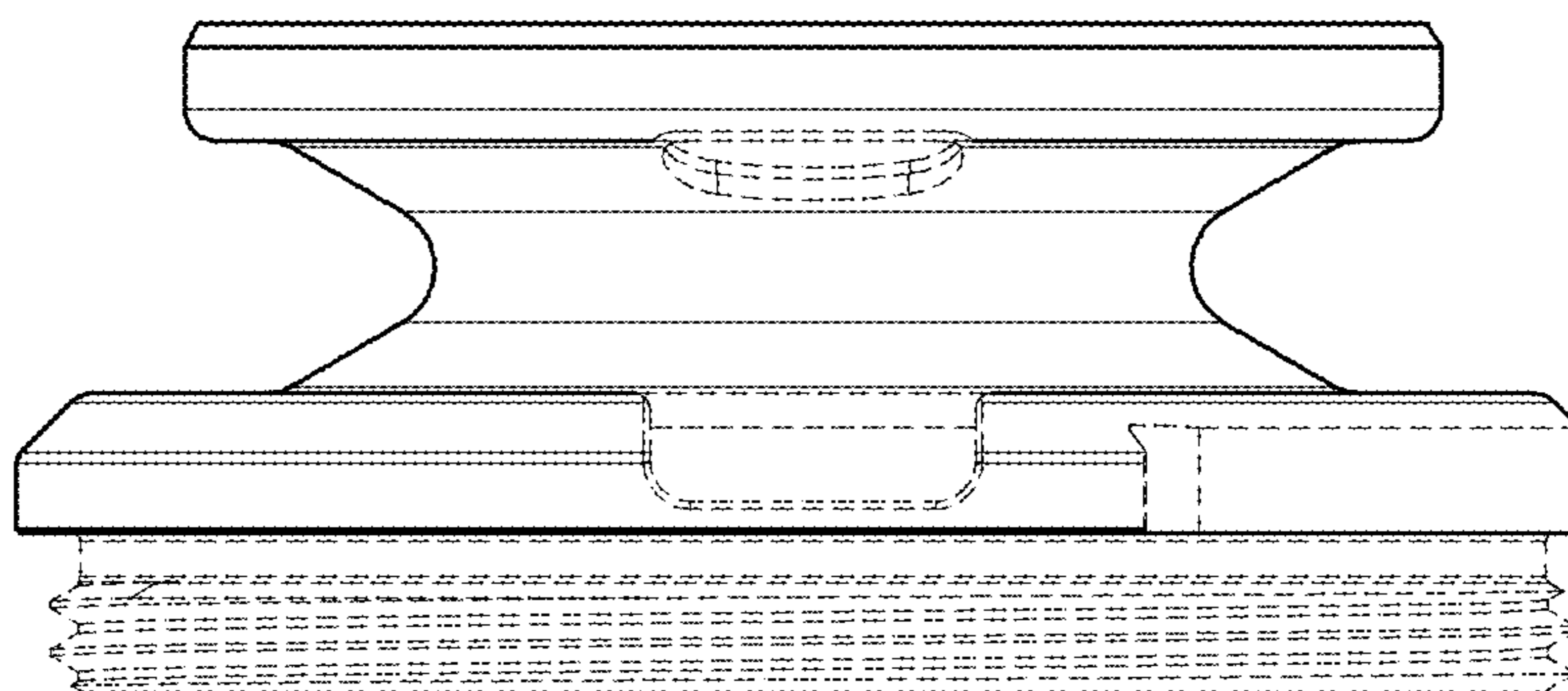


FIG. 3

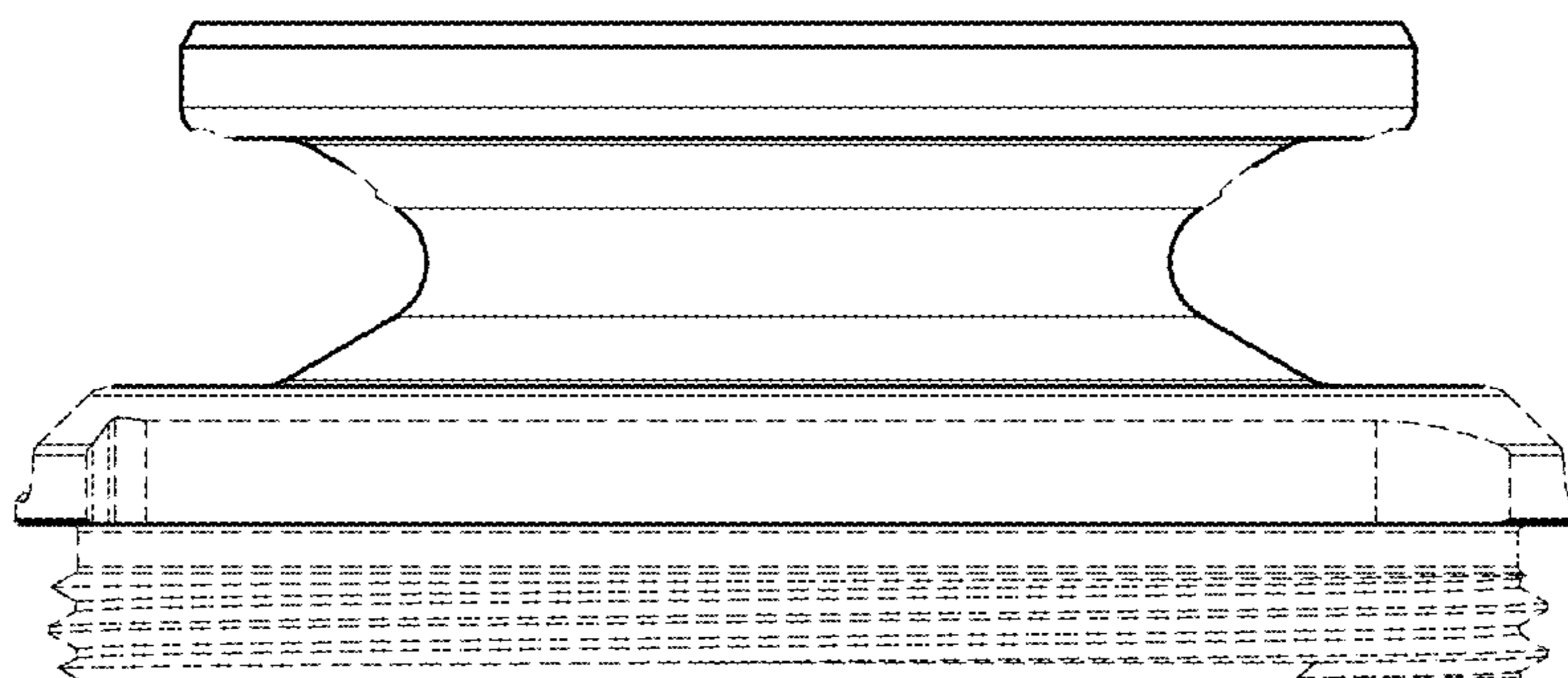


FIG. 4

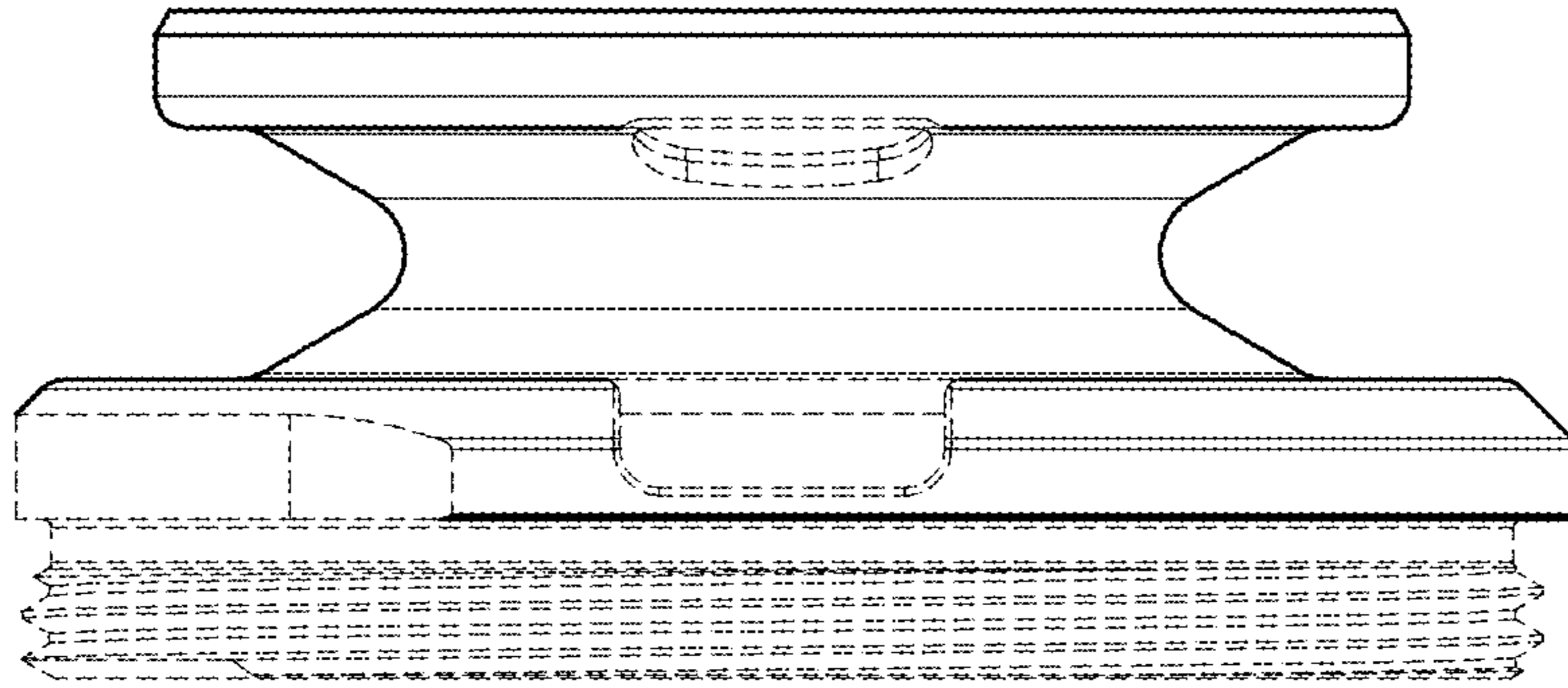


FIG. 5

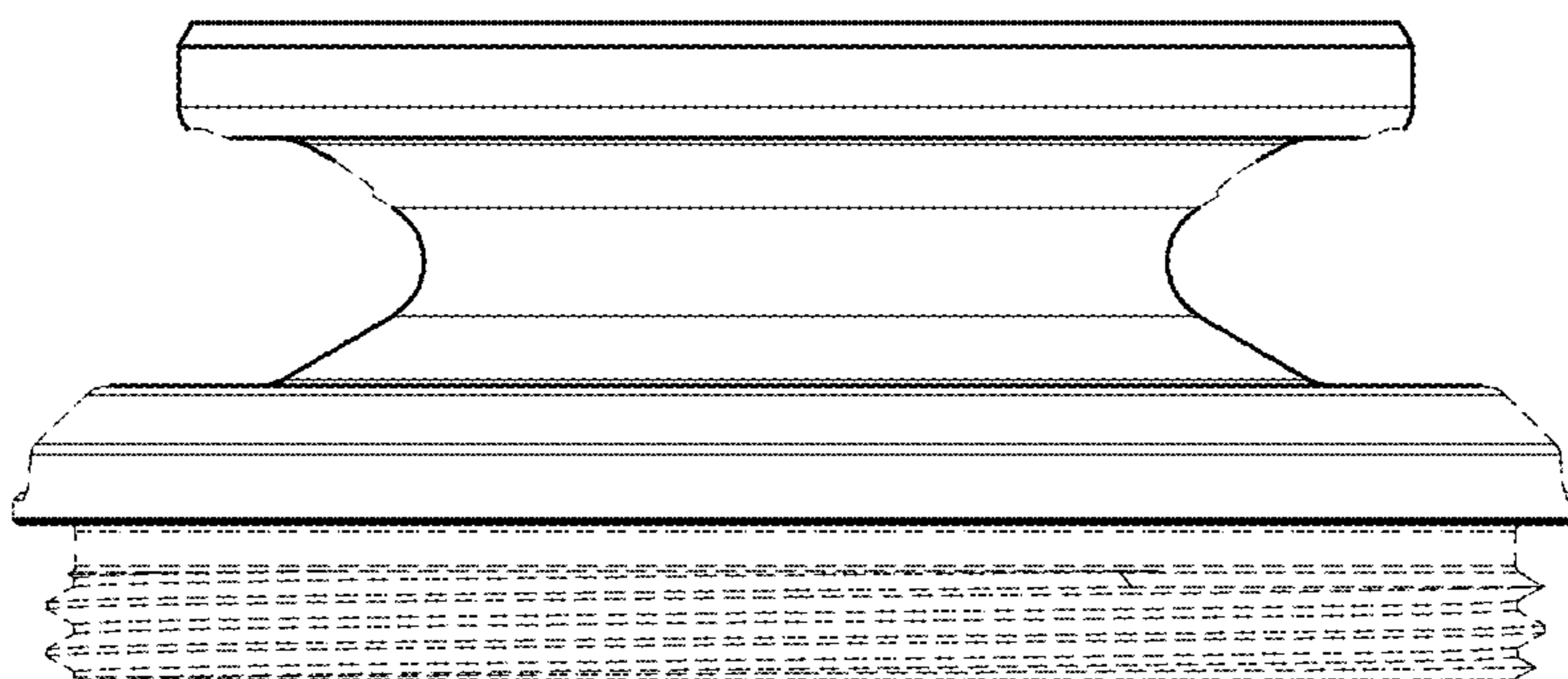


FIG. 6

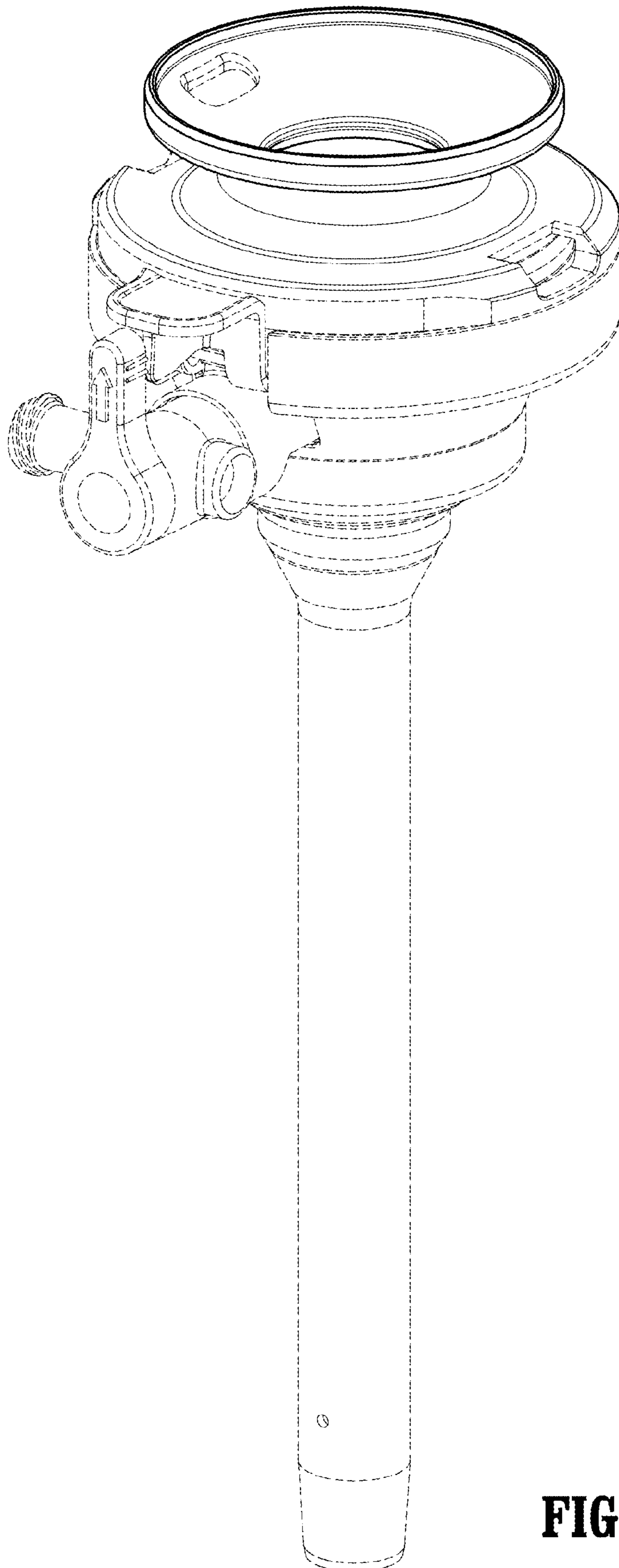


FIG. 7