



US00D956216S

(12) **United States Design Patent**
Hu et al.

(10) **Patent No.:** **US D956,216 S**
(45) **Date of Patent:** **** Jun. 28, 2022**

- (54) **RENJU SHAPED CONTRA-FLOW RESISTANT ENEMA CLEANER**
- (71) Applicant: **NINGBO ALBERT NOVOSINO CO., LTD.**, Ningbo (CN)
- (72) Inventors: **Hai-Bo Hu**, Ningbo (CN); **Yong-Gui Zhang**, Ningbo (CN)
- (73) Assignee: **NINGBO ALBERT NOVOSINO CO., LTD.**, Ningbo (CN)
- (**) Term: **15 Years**
- (21) Appl. No.: **29/672,977**
- (22) Filed: **Dec. 11, 2018**
- (51) **LOC (13) Cl.** **24-02**
- (52) **U.S. Cl.**
USPC **D24/115**
- (58) **Field of Classification Search**
USPC D24/115, 117, 223, 226, 108, 176, D24/194-197; 604/3, 298, 35, 36, 37, 604/93.01, 94.01, 95.01-95.3, 60, 275; 128/200.24; D9/695-699, 529; 222/209, 222/207, 215, 541.6, 541.4, 541.9; 206/528
CPC A61M 1/0011; A61M 3/0262; A61M 2205/075
See application file for complete search history.

(56) **References Cited**

U.S. PATENT DOCUMENTS

- 69,110 A * 9/1867 Mattson A61M 3/0262
604/212
- 214,552 A * 4/1879 Connable A61M 3/0262
604/215
- 743,741 A * 11/1903 Mueller A61M 3/0262
604/212

- 764,996 A * 7/1904 Ellis A61M 3/0262
604/37
- 807,905 A * 12/1905 Blair A61M 3/0262
604/212
- 2,112,581 A * 3/1938 Tacey A61M 3/0262
604/83
- 2,664,893 A * 1/1954 Kempel A61M 3/0262
604/212
- 2,739,592 A * 3/1956 Wiles A61M 3/0262
604/215
- 2,815,753 A * 12/1957 Hoffman A61M 3/0262
604/92
- 3,275,509 A * 9/1966 Rowan A61K 9/0031
514/63
- 4,405,321 A * 9/1983 Budoff A61M 3/022
604/212
- 5,290,257 A * 3/1994 Zhong A61M 1/84
604/212
- 5,848,993 A * 12/1998 Tanhehco A61M 1/0011
604/217

(Continued)

Primary Examiner — Nathan M Johnston

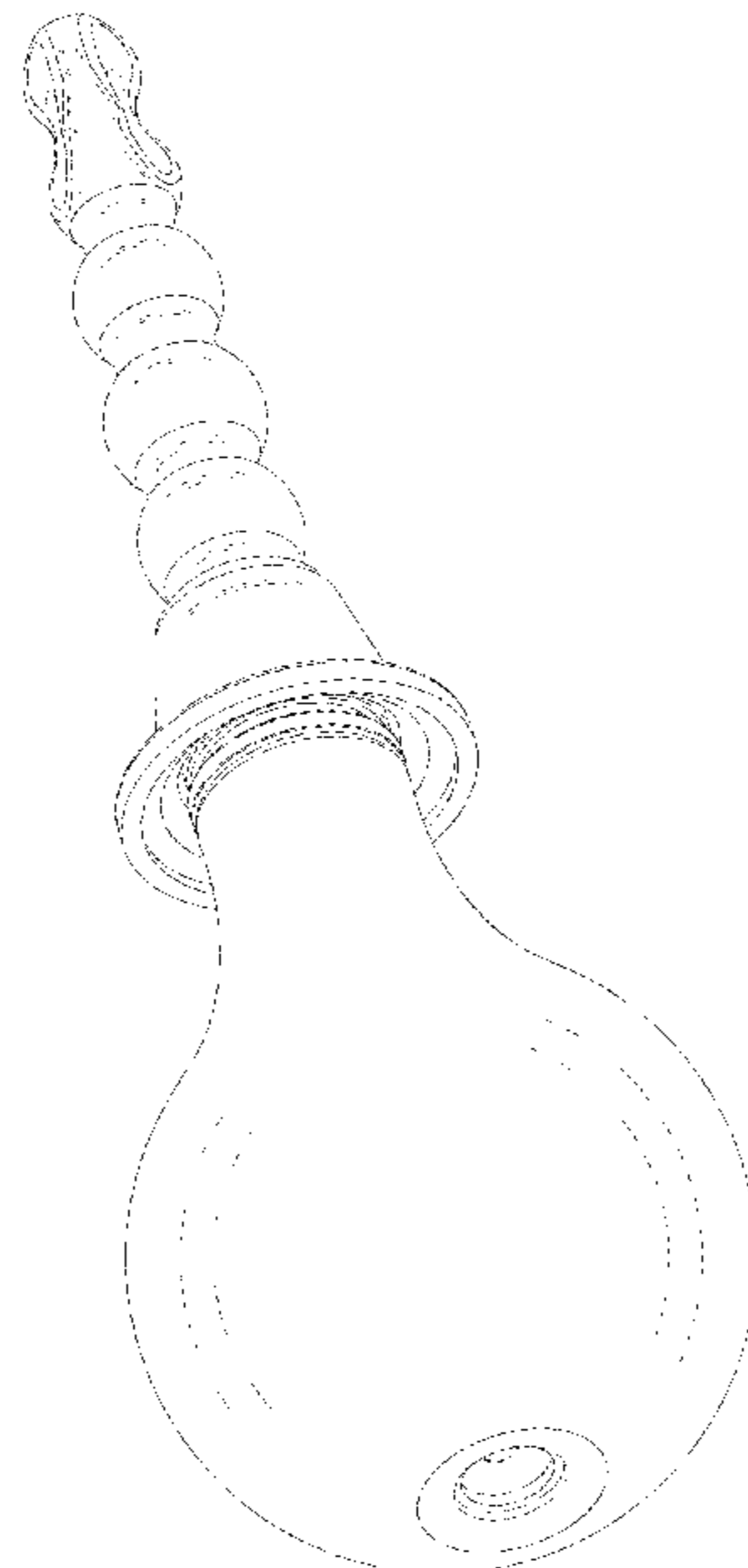
(57) **CLAIM**

The ornamental design for a renju shaped contra-flow resistant enema cleaner, as shown and described.

DESCRIPTION

FIG. 1 is a perspective view of a renju shaped contra-flow resistant enema cleaner showing our new design;
 FIG. 2 is a front elevational view thereof;
 FIG. 3 is a top plan view thereof;
 FIG. 4 is a left side elevational view thereof;
 FIG. 5 is a rear elevational view thereof;
 FIG. 6 is a right side view thereof; and,
 FIG. 7 is a bottom plan view thereof.
 The evenly broken lines where present illustrate portions of the renju shaped contra-flow resistant enema cleaner that form no part of the claimed design.

1 Claim, 7 Drawing Sheets



(56)

References Cited

U.S. PATENT DOCUMENTS

6,269,261 B1 * 7/2001 Ootomo A61B 5/14542
600/345
D712,535 S * 9/2014 Du D24/115
D775,724 S * 1/2017 Pagliacci D24/115
D781,415 S * 3/2017 Brannon D24/112
D869,651 S * 12/2019 Du D24/115
D903,862 S * 12/2020 Zhang A61M 3/0216
D24/119
2012/0172847 A1 * 7/2012 Hooper A61M 16/04
604/540
2014/0052163 A1 * 2/2014 Lai A61M 1/84
606/162
2015/0133816 A1 * 5/2015 Liu A61M 1/0003
600/578
2016/0144083 A1 * 5/2016 Vinh A61M 1/0003
604/212
2016/0361078 A1 * 12/2016 Pagliacci A61C 17/02
2021/0015993 A1 * 1/2021 O'Neill A61K 31/155
2021/0178030 A1 * 6/2021 Xiao A61M 1/74

* cited by examiner

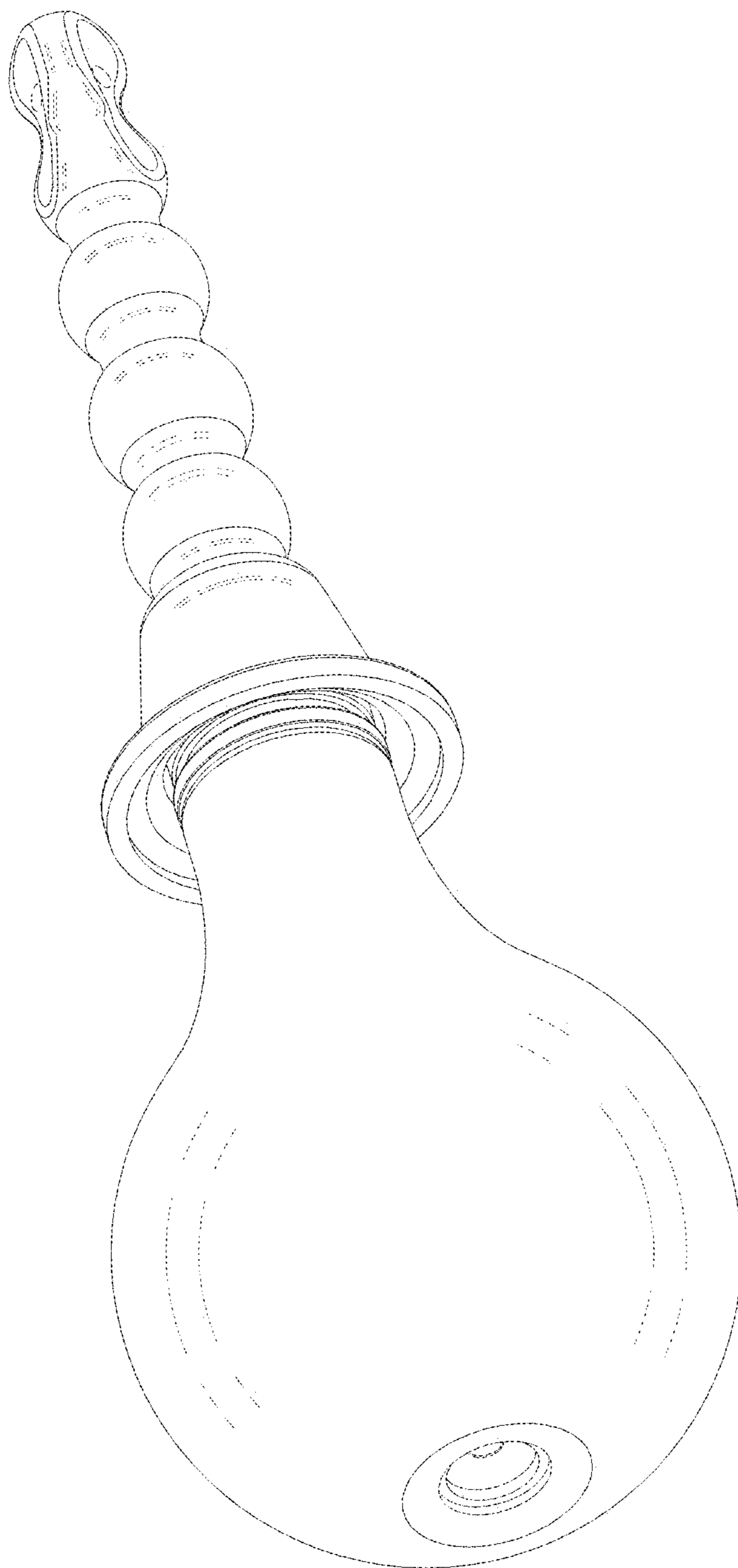


FIG. 1

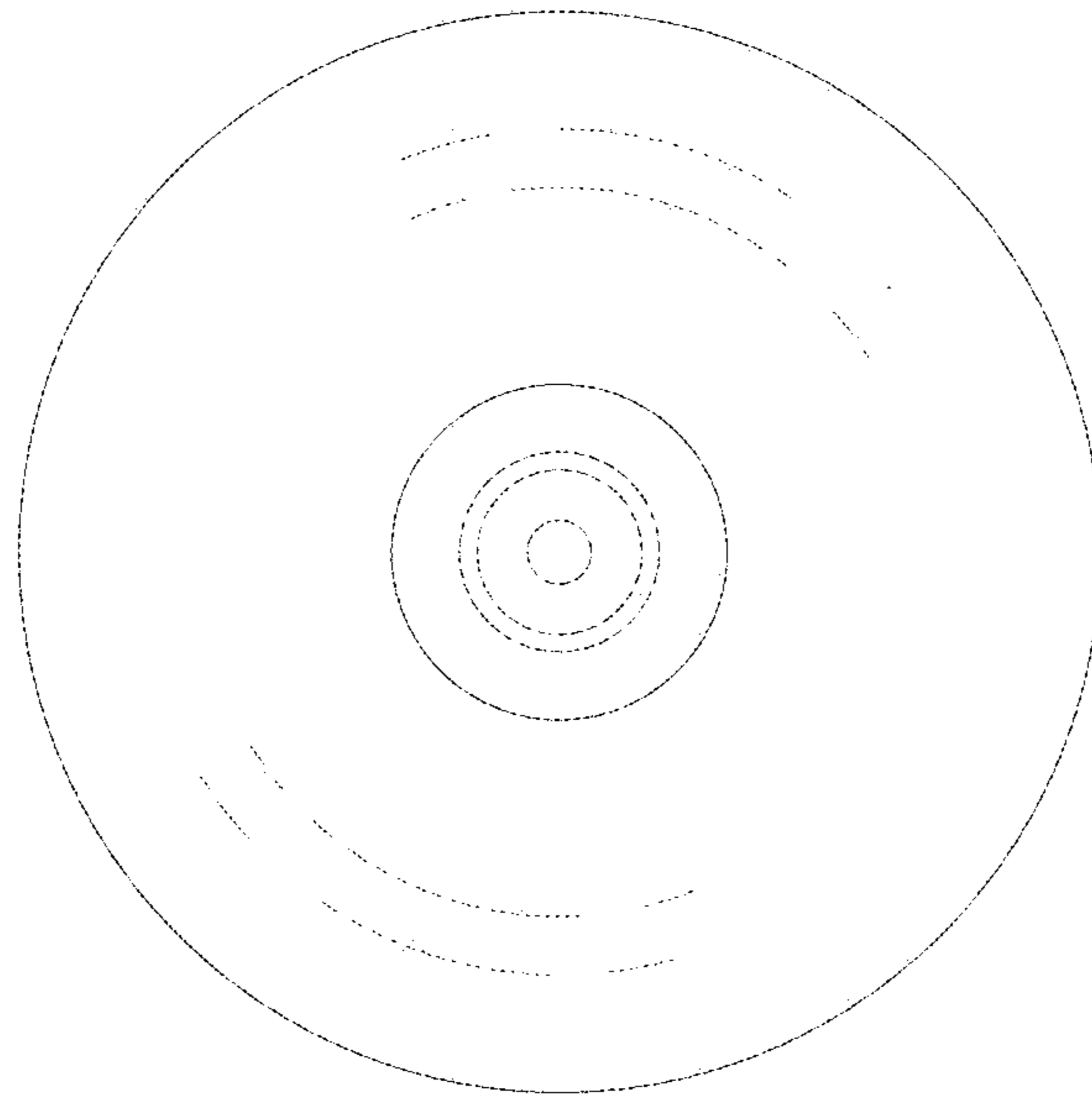


FIG. 2

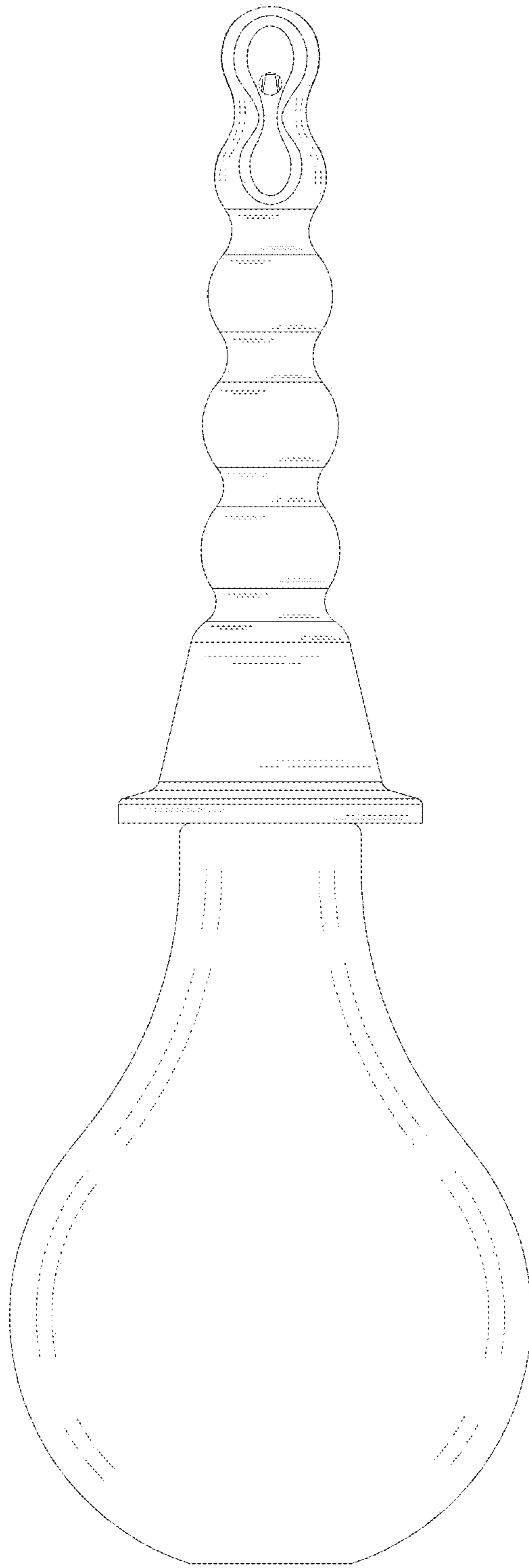


FIG. 3

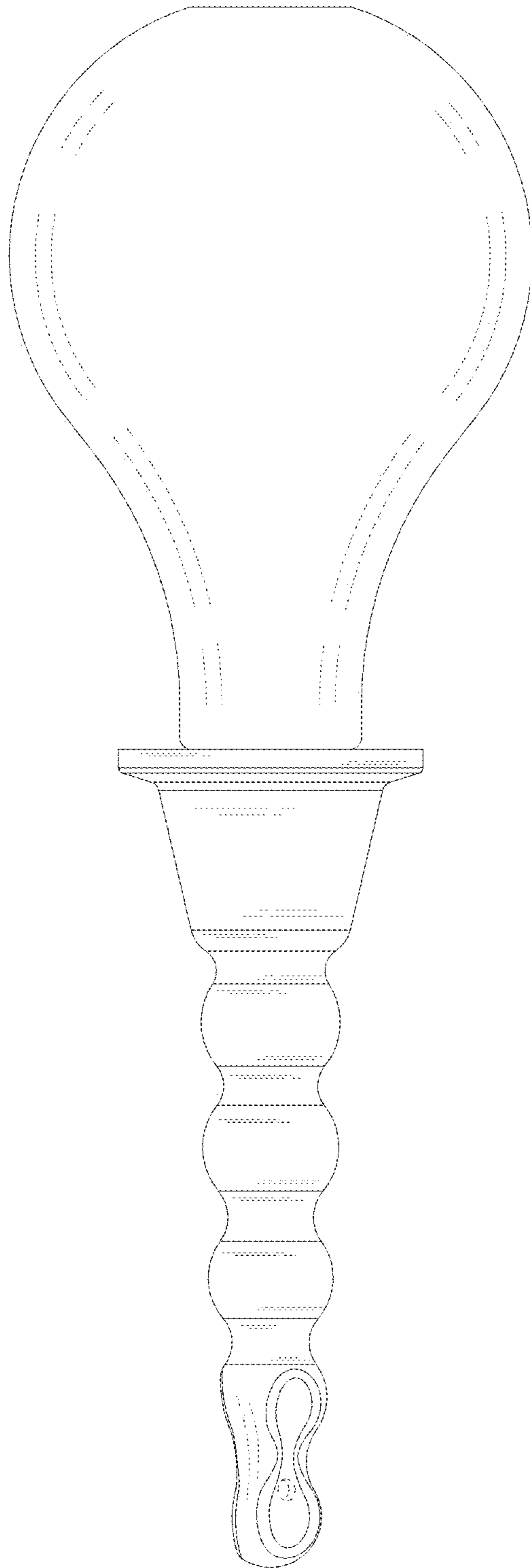


FIG. 4

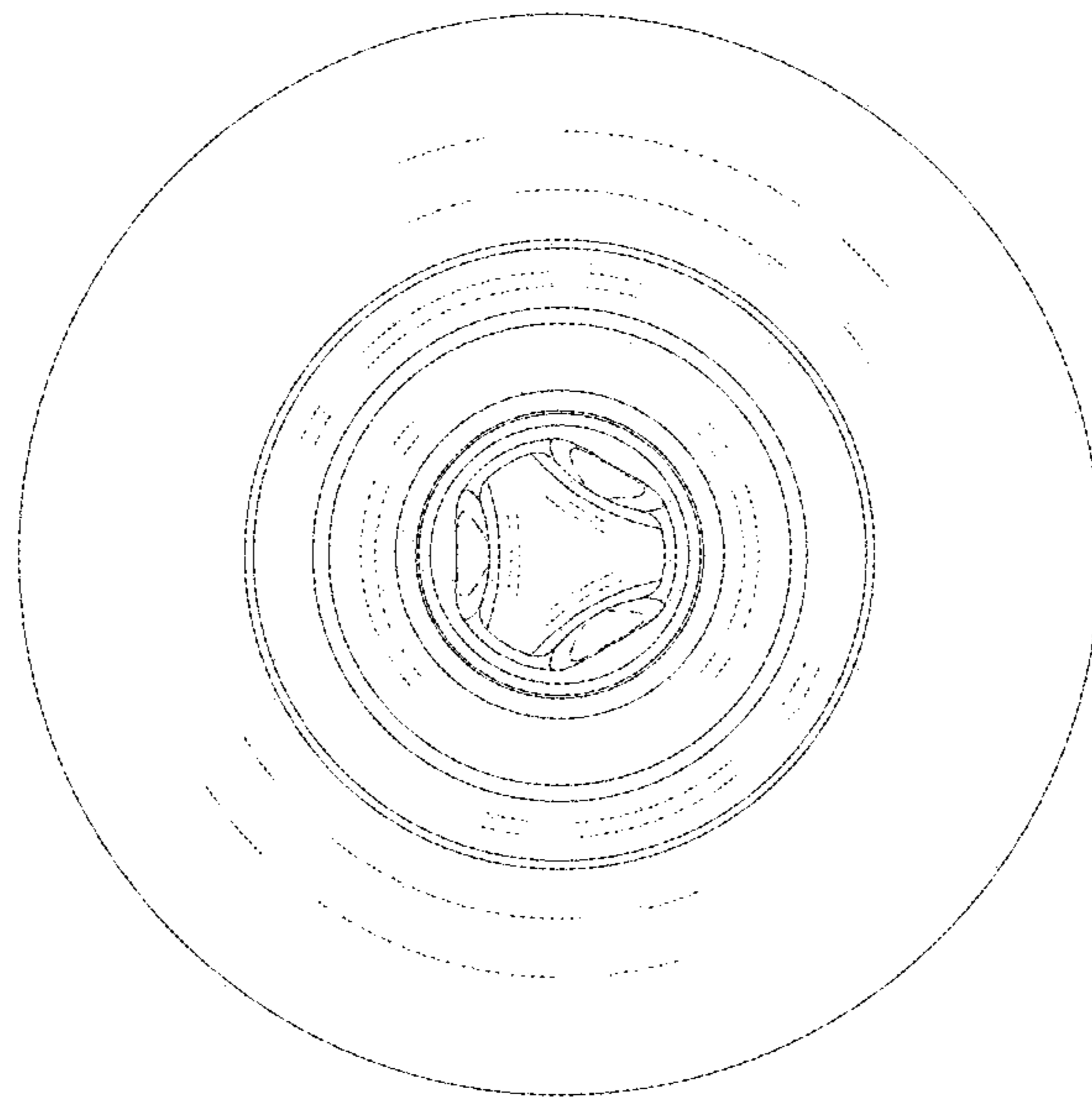


FIG. 5

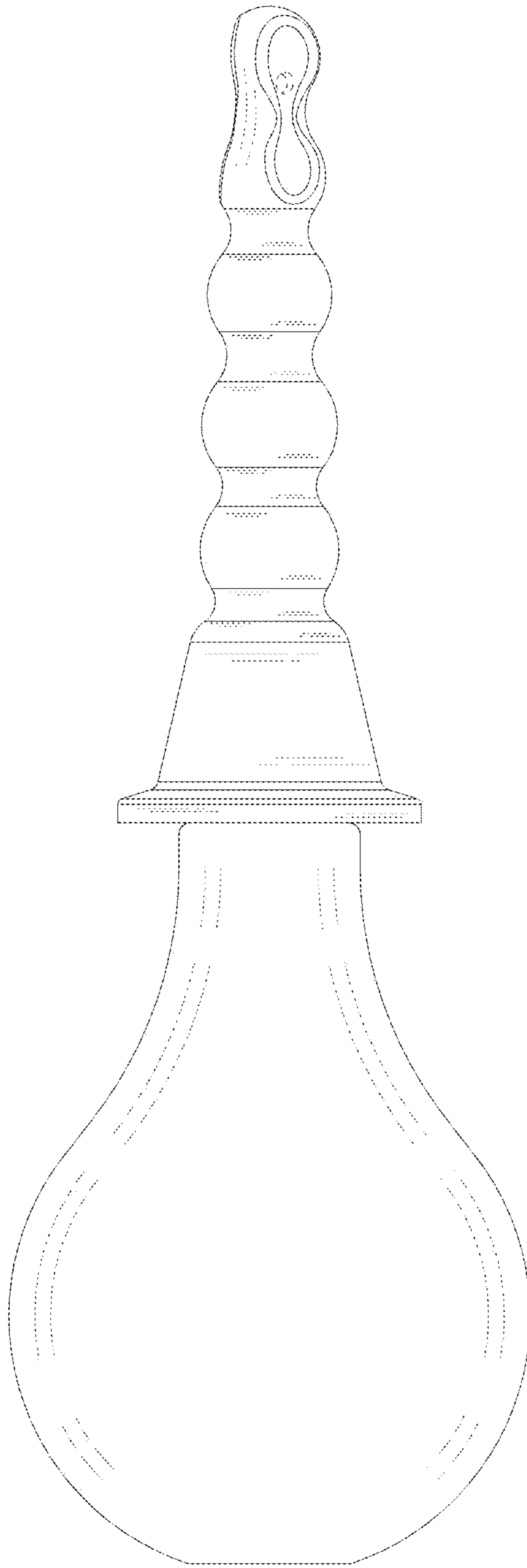


FIG. 6

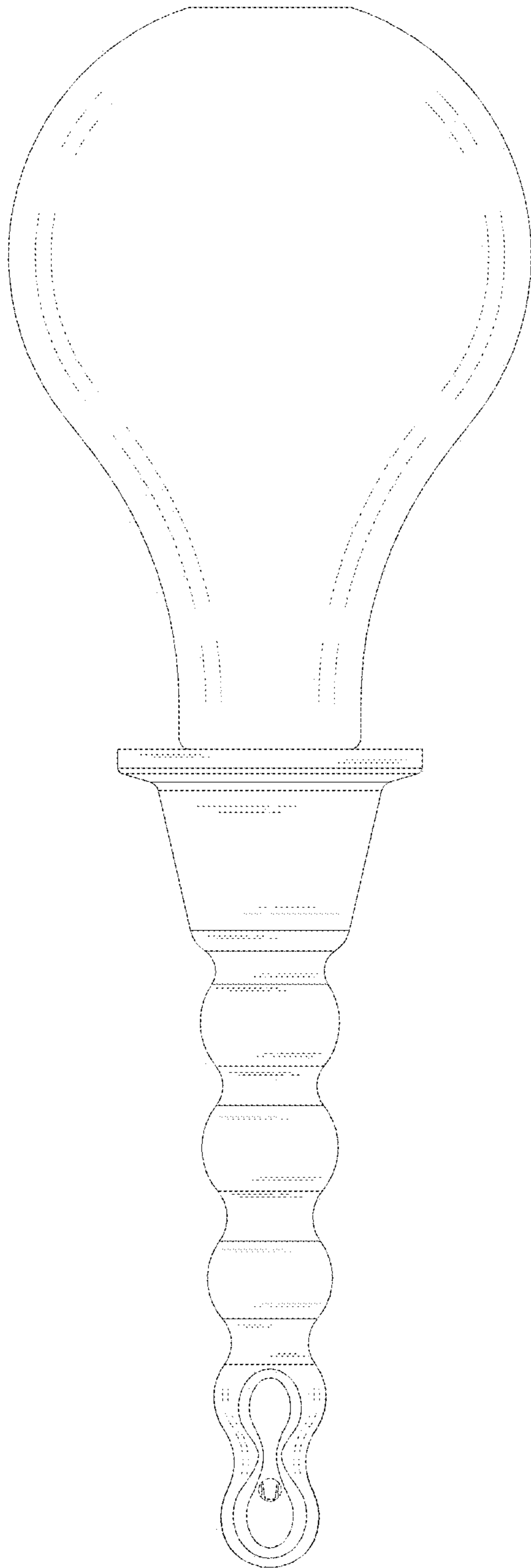


FIG. 7