



US00D956215S

(12) **United States Design Patent** (10) **Patent No.:** **US D956,215 S**  
**Krulevitch et al.** (45) **Date of Patent:** **\*\* Jun. 28, 2022**

(54) **AUTOINJECTOR**

(71) Applicant: **Janssen Pharmaceuticals, Inc.**, Titusville, NJ (US)  
(72) Inventors: **Peter Krulevitch**, San Antonio, TX (US); **Michael Cannamela**, Atlantic Highlands, NJ (US); **Yuji Ikeda**, New Providence, NJ (US); **Nick Foley**, Edinburgh (GB); **James McLusky**, Edinburgh (GB); **Jimmy Mower**, Edinburgh (GB); **Scott Martin**, Edinburgh (GB); **James Glencross**, Edinburgh (GB)

(73) Assignee: **Janssen Pharmaceuticals, Inc.**, Titusville, NJ (US)

(\*\*) Term: **15 Years**

(21) Appl. No.: **29/823,124**

(22) Filed: **Jan. 14, 2022**

**Related U.S. Application Data**

(62) Division of application No. 29/683,729, filed on Mar. 15, 2019.

(30) **Foreign Application Priority Data**

Sep. 20, 2018 (GB) ..... 6044226  
Sep. 20, 2018 (GB) ..... 6044227

(51) **LOC (13) Cl.** ..... **24-02**

(52) **U.S. Cl.**  
USPC ..... **D24/113**

(58) **Field of Classification Search**  
USPC ..... D24/112-114, 108, 133, 130, 127, 186; 606/181, 185; 604/264, 272, 187, 181, 604/184, 227  
CPC ..... A61M 5/178; A61M 3/00; A61M 5/20; A61M 5/31; A61M 5/3146; A61M 5/3129; A61M 5/3148

See application file for complete search history.

(56) **References Cited**

U.S. PATENT DOCUMENTS

8,021,335 B2 \* 9/2011 Lesch, Jr. .... A61M 5/178  
604/218  
D697,205 S \* 1/2014 Schneider ..... D24/113  
(Continued)

FOREIGN PATENT DOCUMENTS

EP 3187216 7/2017  
WO 98/55168 12/1998  
(Continued)

OTHER PUBLICATIONS

International Search Report dated Sep. 18, 2020; International Application No. PCT/IB2020/057115.

*Primary Examiner* — David G Muller

(74) *Attorney, Agent, or Firm* — Craig M. Brown

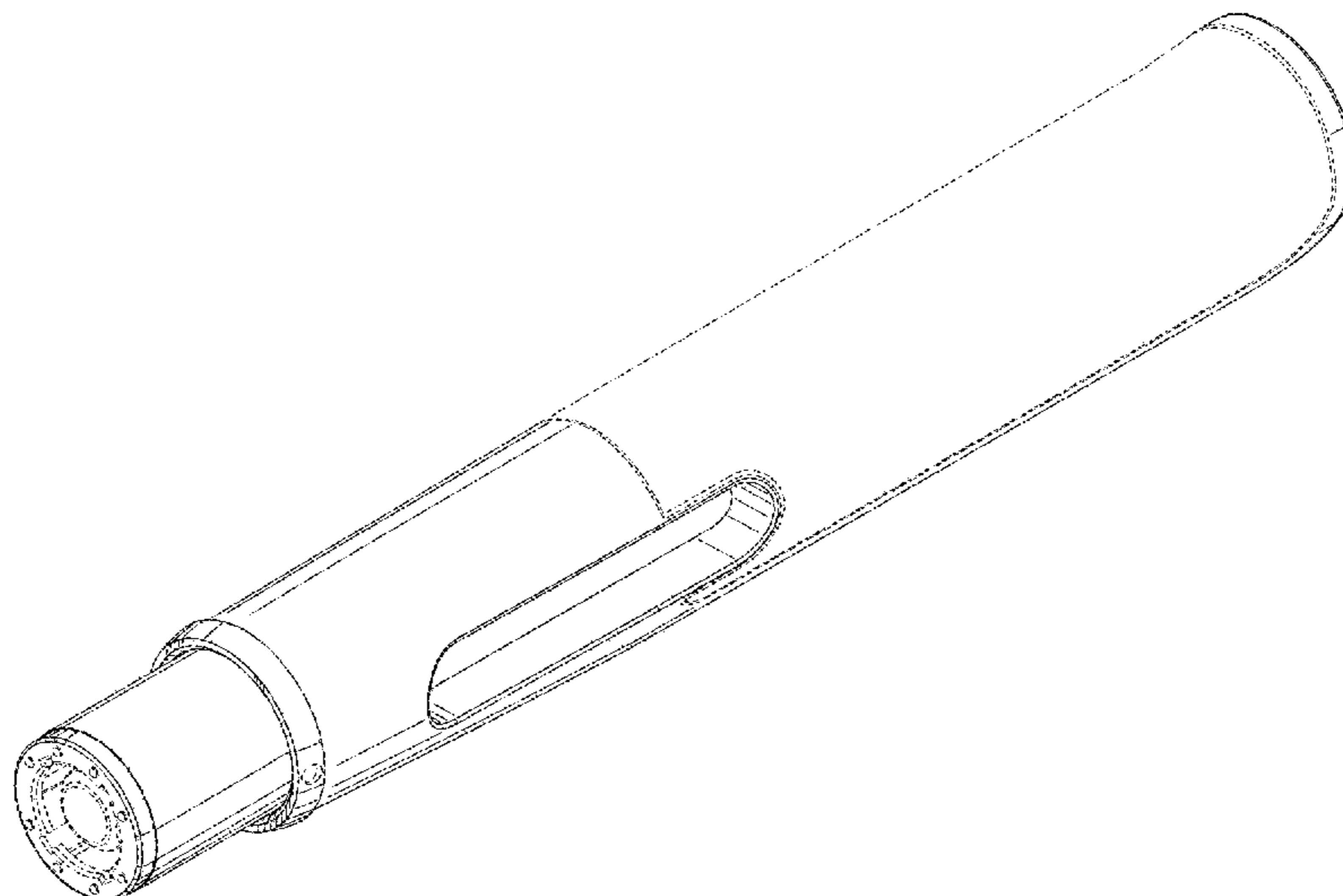
(57) **CLAIM**

The ornamental design for an autoinjector, as shown and described.

**DESCRIPTION**

FIG. 1 is a front perspective view from above of an autoinjector showing our new design; FIG. 2 is a rear perspective view from below of the autoinjector of FIG. 1; FIG. 3 is a right side elevational view of FIG. 1, the left side elevational view corresponds; FIG. 4 is a top plan view of FIG. 1; FIG. 5 is a bottom plan view of FIG. 1; FIG. 6 is a front elevational view of FIG. 1; and, FIG. 7 is a rear elevational view of FIG. 1. The portions shown in broken lines are unclaimed environment, and form no part of the claimed design.

**1 Claim, 3 Drawing Sheets**



(56)

**References Cited**

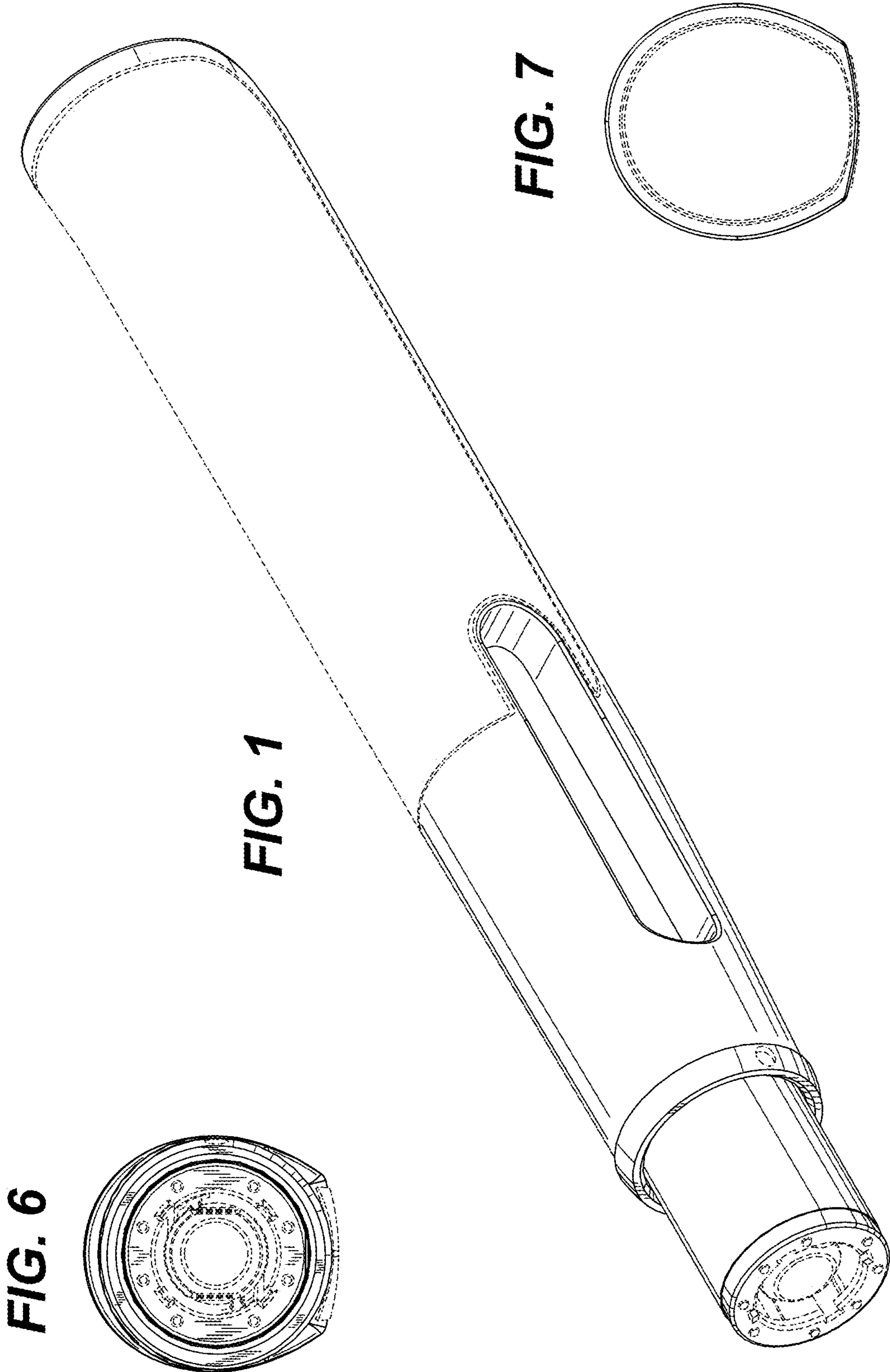
U.S. PATENT DOCUMENTS

D758,567 S \* 6/2016 Wohlfahrt ..... D24/113  
D758,568 S \* 6/2016 Wohlfahrt ..... D24/113  
D758,569 S \* 6/2016 Wohlfahrt ..... D24/113  
D810,281 S \* 2/2018 Holmqvist ..... A61M 5/3202  
D24/112  
D814,022 S \* 3/2018 Boyaval ..... D24/113  
D819,198 S \* 5/2018 Boyaval ..... D24/113  
D819,200 S \* 5/2018 Stonecipher ..... D24/114  
D827,127 S \* 8/2018 Donnelly ..... D24/113  
D830,538 S \* 10/2018 Guillermo ..... D24/112  
D861,859 S \* 10/2019 Rapp ..... D24/113  
D866,757 S \* 11/2019 Diluzio ..... D24/133  
2021/0030967 A1 2/2021 Krulevitch et al.

FOREIGN PATENT DOCUMENTS

WO 2014/144096 9/2014  
WO 2014/164943 10/2014  
WO 2018/094036 5/2018  
WO 2021/019443 2/2021

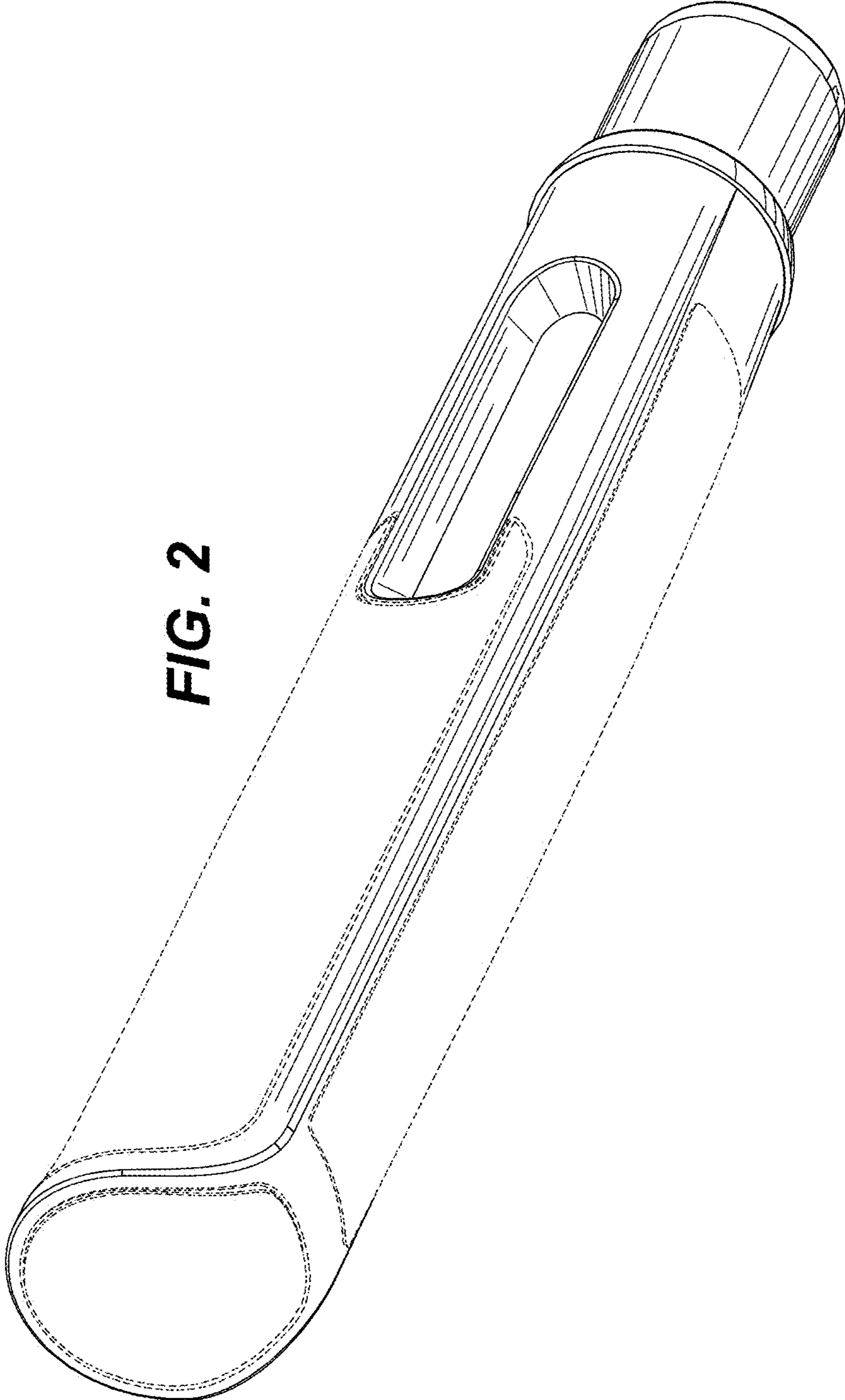
\* cited by examiner



**FIG. 6**

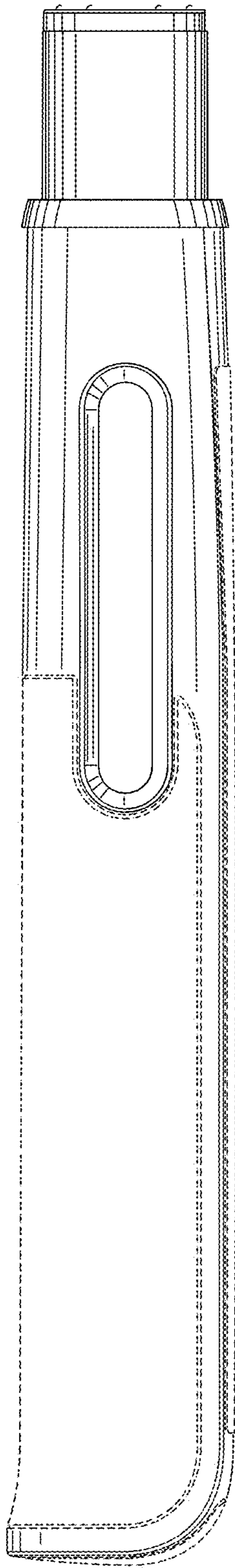
**FIG. 1**

**FIG. 7**

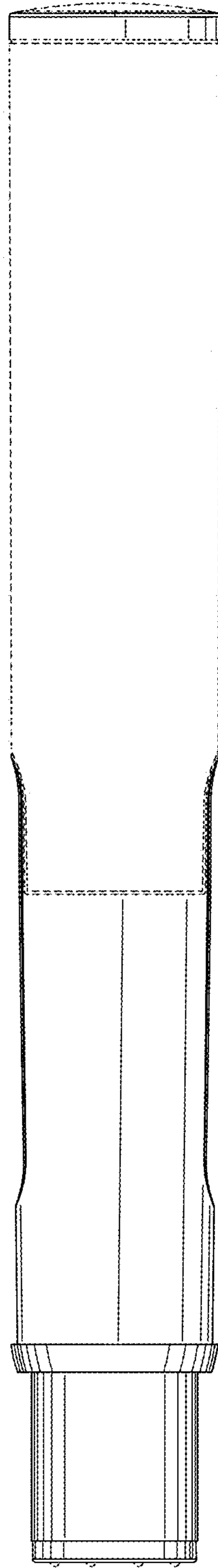


**FIG. 2**

**FIG. 3**



**FIG. 4**



**FIG. 5**

