



US00D956214S

(12) **United States Design Patent**
Petersen et al.

(10) **Patent No.:** **US D956,214 S**
(45) **Date of Patent:** **** Jun. 28, 2022**

(54) **AUTOINJECTOR**

D908,867 S * 1/2021 Nicholas D24/113
11,107,369 B2 * 8/2021 Chang G09B 23/285
D934,413 S * 10/2021 Nicholas D24/113

(Continued)

(71) Applicant: **Phillips-Medisize A/S**, Struer (DK)

(72) Inventors: **Carsten Petersen**, Højbjerg (DK); **Emil Wegger Jensen**, Viby J (DK); **Troels Rask Pedersen**, Egå (DK)

FOREIGN PATENT DOCUMENTS

GB 6044225 * 9/2018
WO 2020/070326 A1 4/2020

(Continued)

(73) Assignee: **Phillips-Medisize A/S**, Struer (DK)

(**) Term: **15 Years**

OTHER PUBLICATIONS

(21) Appl. No.: **29/753,858**

“BD launches two-step disposable autoinjector”, Biospectrum, [Post Date: Oct. 21, 2019], [Site seen Feb. 8, 2022], Seen at URL: <https://www.biospectrumasia.com/news/28/14723/bd-launches-two-step-disposable-autoinjector.html> (Year: 2019).*

(Continued)

(22) Filed: **Oct. 2, 2020**

(51) **LOC (13) Cl.** **24-02**

(52) **U.S. Cl.**
USPC **D24/113**

(58) **Field of Classification Search**
USPC D24/112–114, 133, 186, 127–131, 144;
D19/115–123, 177, 193
CPC A61M 5/3156; A61M 5/31591; A61M
5/3155; A61M 5/3157; A61M 5/24;
A61M 5/31501; A61M 5/31551; A61M
5/31585

See application file for complete search history.

Primary Examiner — Natasha Vujcic
Assistant Examiner — Gilbert B Ford
(74) *Attorney, Agent, or Firm* — Banner & Witcoff, Ltd.

(57) **CLAIM**

The ornamental design for an autoinjector, as shown and described.

DESCRIPTION

FIG. 1 is a front bottom perspective view of an autoinjector showing our new design;
FIG. 2 is a front top perspective view thereof;
FIG. 3 is a front view thereof;
FIG. 4 is a rear view thereof;
FIG. 5 is a right side view thereof;
FIG. 6 is a left side view thereof;
FIG. 7 is a bottom view thereof; and,
FIG. 8 is a top view thereof.

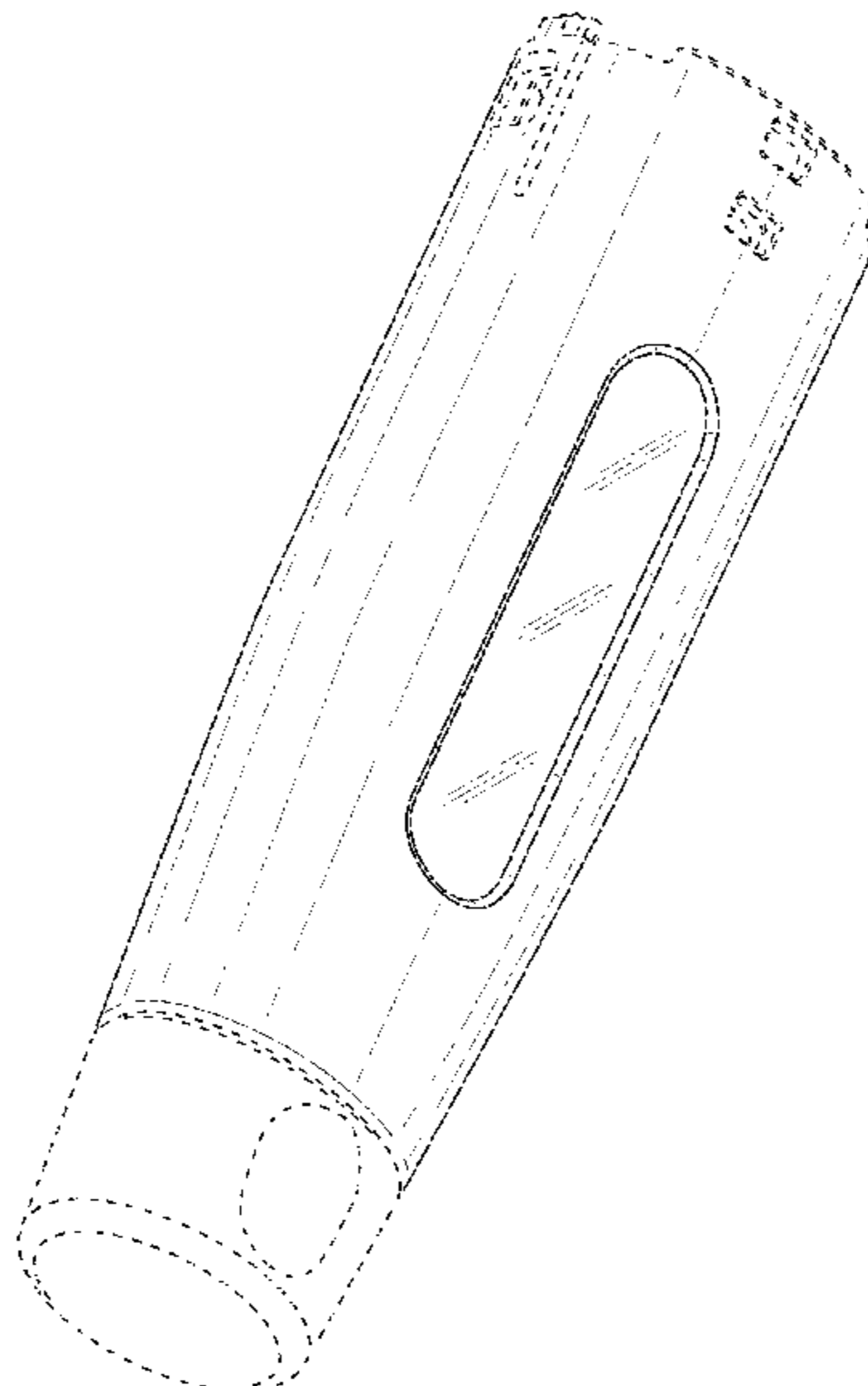
The broken lines immediately adjacent to the shaded areas represent the bounds of the claimed design and form no part thereof. The broken lines showing the remainder of the autoinjector form no part of the claimed design.

(56) **References Cited**

U.S. PATENT DOCUMENTS

D697,205 S * 1/2014 Schneider D24/113
D748,244 S * 1/2016 Petersen D24/113
D757,254 S * 5/2016 Wohlfahrt D24/113
D757,255 S * 5/2016 Wohlfahrt D24/113
D765,833 S * 9/2016 Geert-Jensen D24/112
D773,648 S * 12/2016 Wohlfahrt D24/113
D773,649 S * 12/2016 Wohlfahrt D24/113
D789,528 S * 6/2017 Wohlfahrt D24/130
10,117,996 B2 * 11/2018 Stefansen A61M 5/31536
D857,192 S * 8/2019 Burkett D24/112
D863,549 S * 10/2019 Jansen D24/113
D878,566 S * 3/2020 Jansen D24/113

1 Claim, 8 Drawing Sheets



(56)

References Cited

U.S. PATENT DOCUMENTS

2016/0243318 A1* 8/2016 Despa G08B 21/18
2020/0276390 A1* 9/2020 Song A61M 5/31571

FOREIGN PATENT DOCUMENTS

WO 2020/070327 A1 4/2020
WO 2020/070328 A1 4/2020
WO D215207-010 * 10/2021
WO D215207-017 * 10/2021

OTHER PUBLICATIONS

Introducing Smart Autoinjector: Changing the paradigm of usability, cost & size, Indian Express Group, VIMEO, [Post Date unknown (2021)], [Site seen Feb. 8, 2022], Seen at URL: <https://vimeo.com/476272690> (Year: 2021).*

Here today and Definitely not Gone Tomorrow: Author unknown, OnDrugDelivery.com [Post date: Oct. 4, 2021], [Site seen Feb. 8, 2022], Seen at URL: <https://ondrugdelivery.com/here-today-and-definitely-not-gone-tomorrow-why-simplicity-and-ease-of-use-are-the-key-for-a-new-generation-of-reusable-injectors/> (Year: 2021).*
“Humira Dosing Information | Injection for Plaque Psoriasis”; Humira; retrieved Oct. 12, 2020; published date unknown, prior to Oct. 2, 2020; URL: <https://www.humira.com/psoriasis/humira-dosing-psoriasis>.

Oct. 2, 2020, U.S. Appl. No. 29/753,847.

Oct. 2, 2020, U.S. Appl. No. 29/753,850.

Oct. 2, 2020, U.S. Appl. No. 29/753,853.

Oct. 2, 2020, U.S. Appl. No. 29/753,864.

* cited by examiner

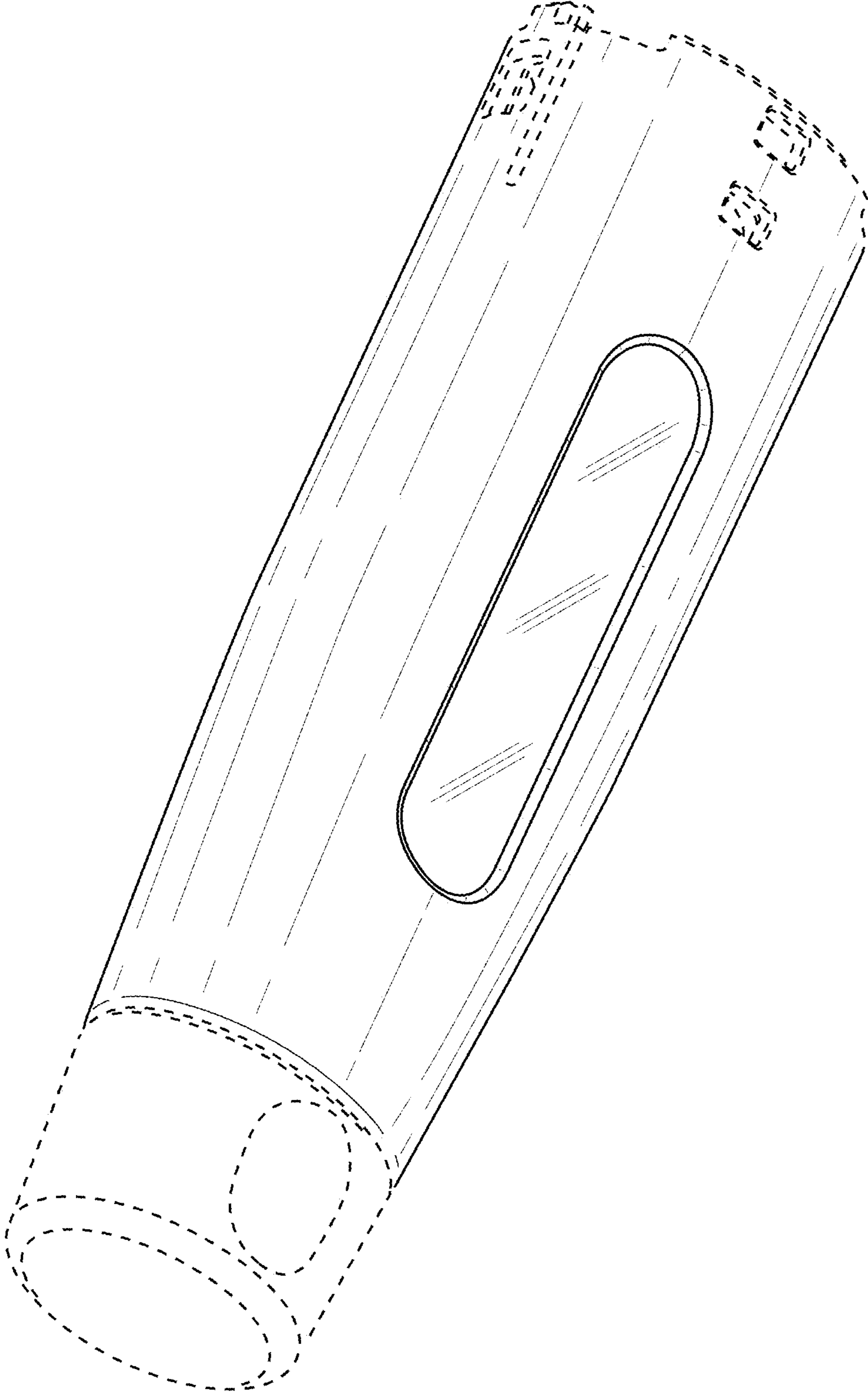


FIG. 1

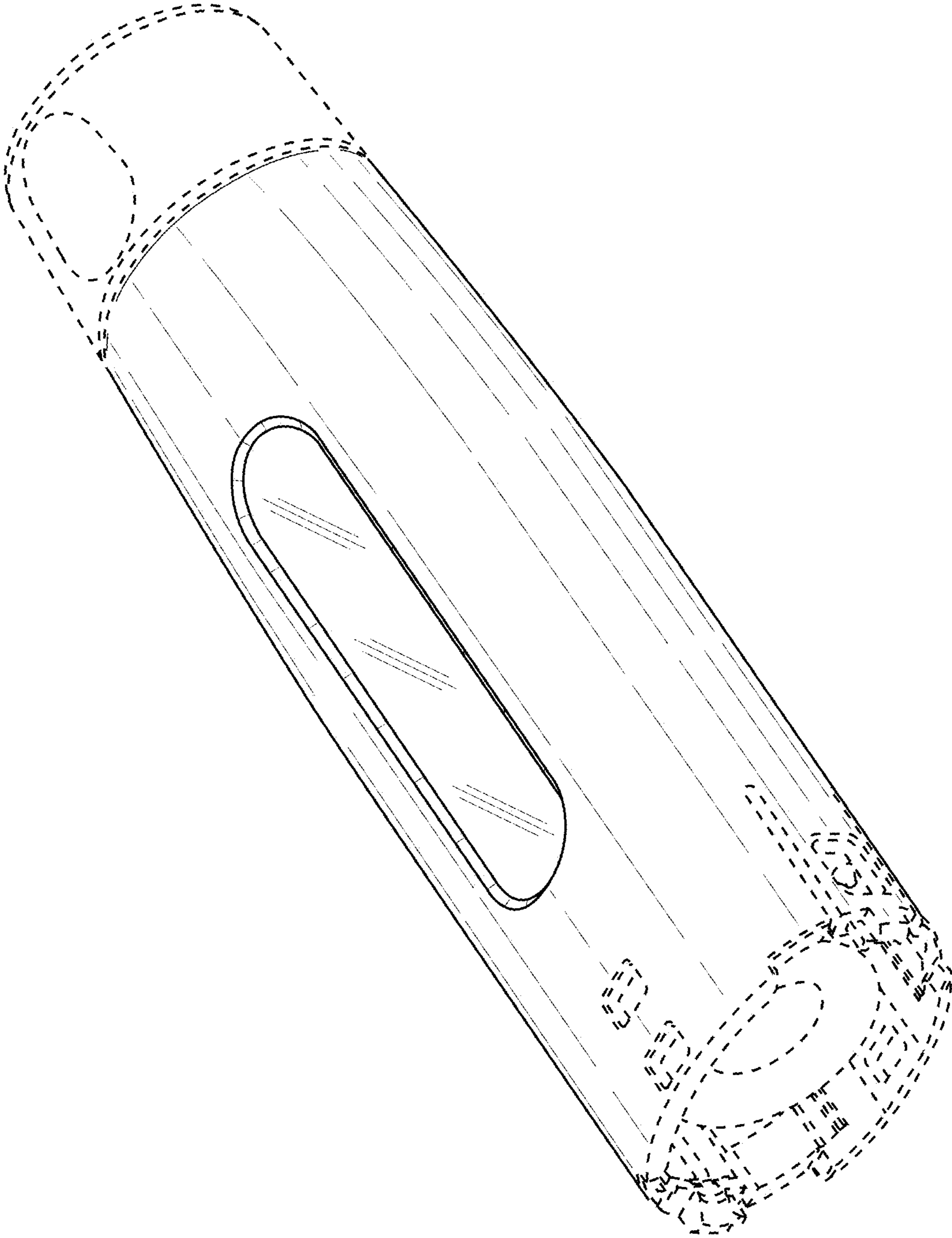


FIG. 2

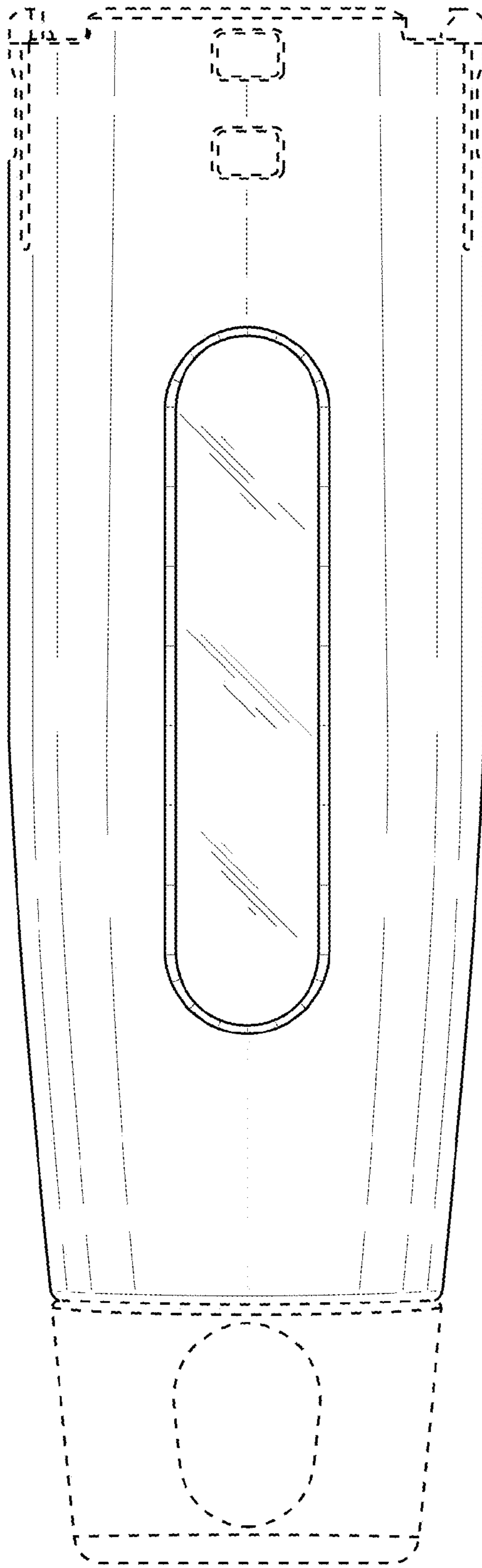


FIG. 3

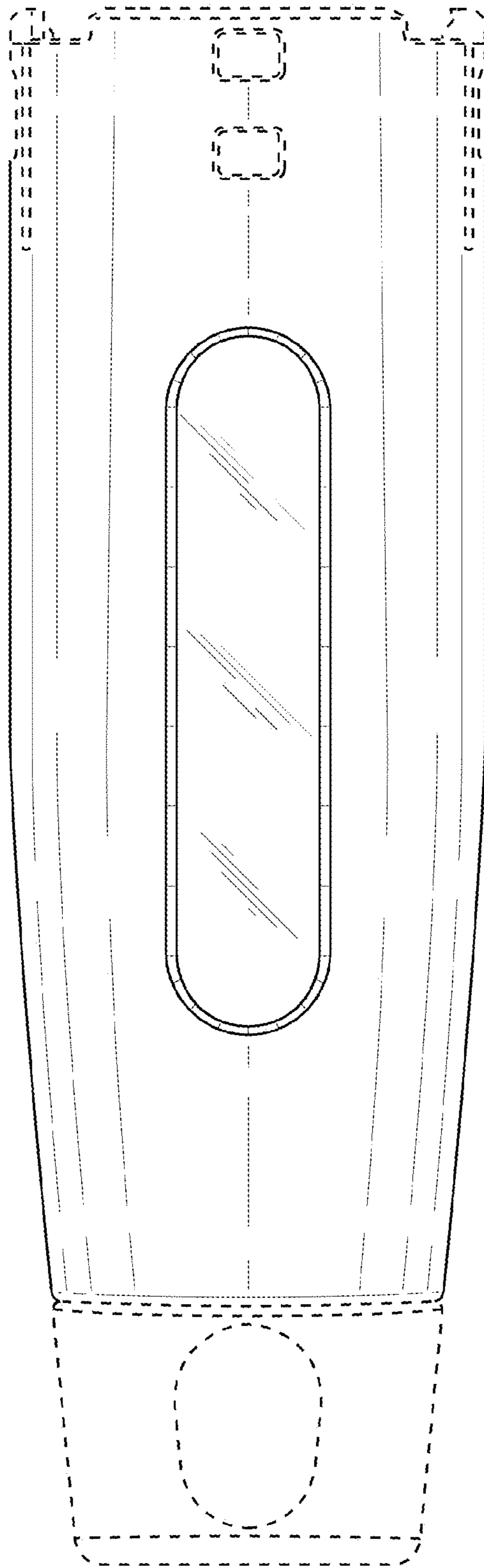


FIG. 4

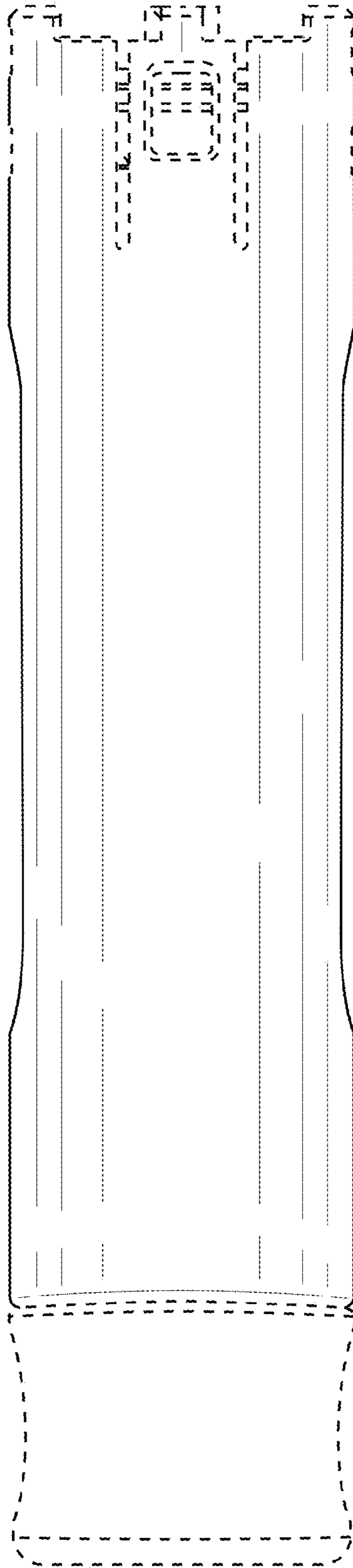


FIG. 5

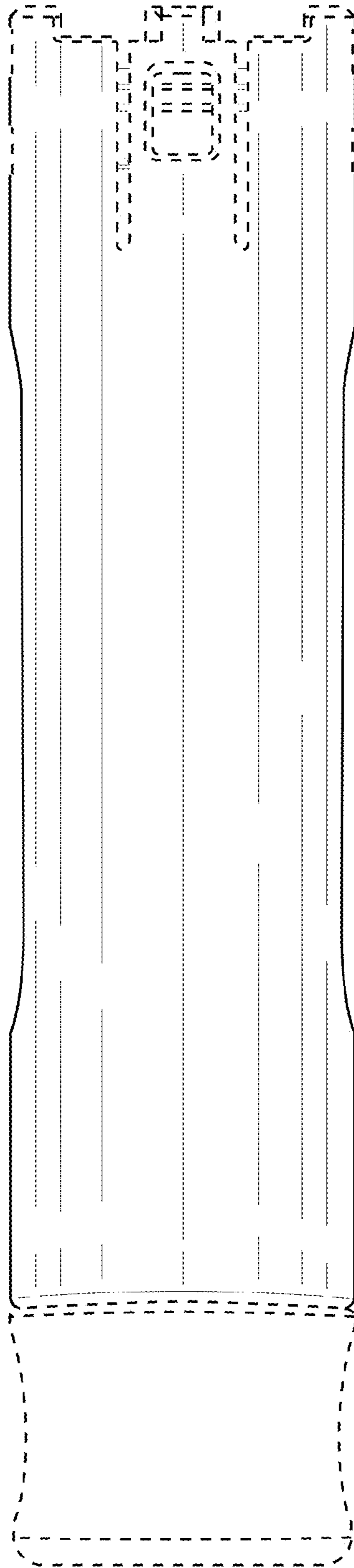


FIG. 6

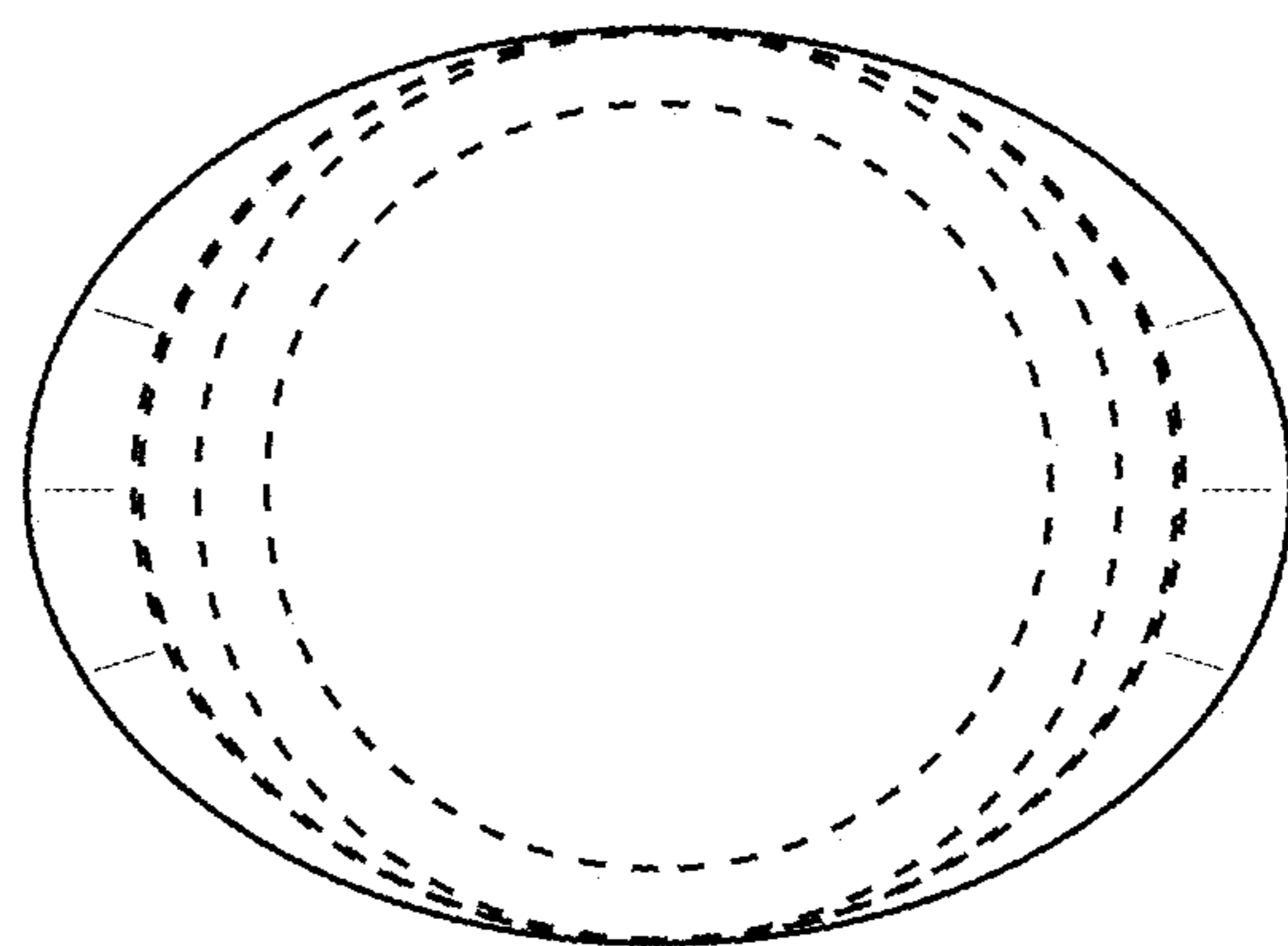


FIG. 7

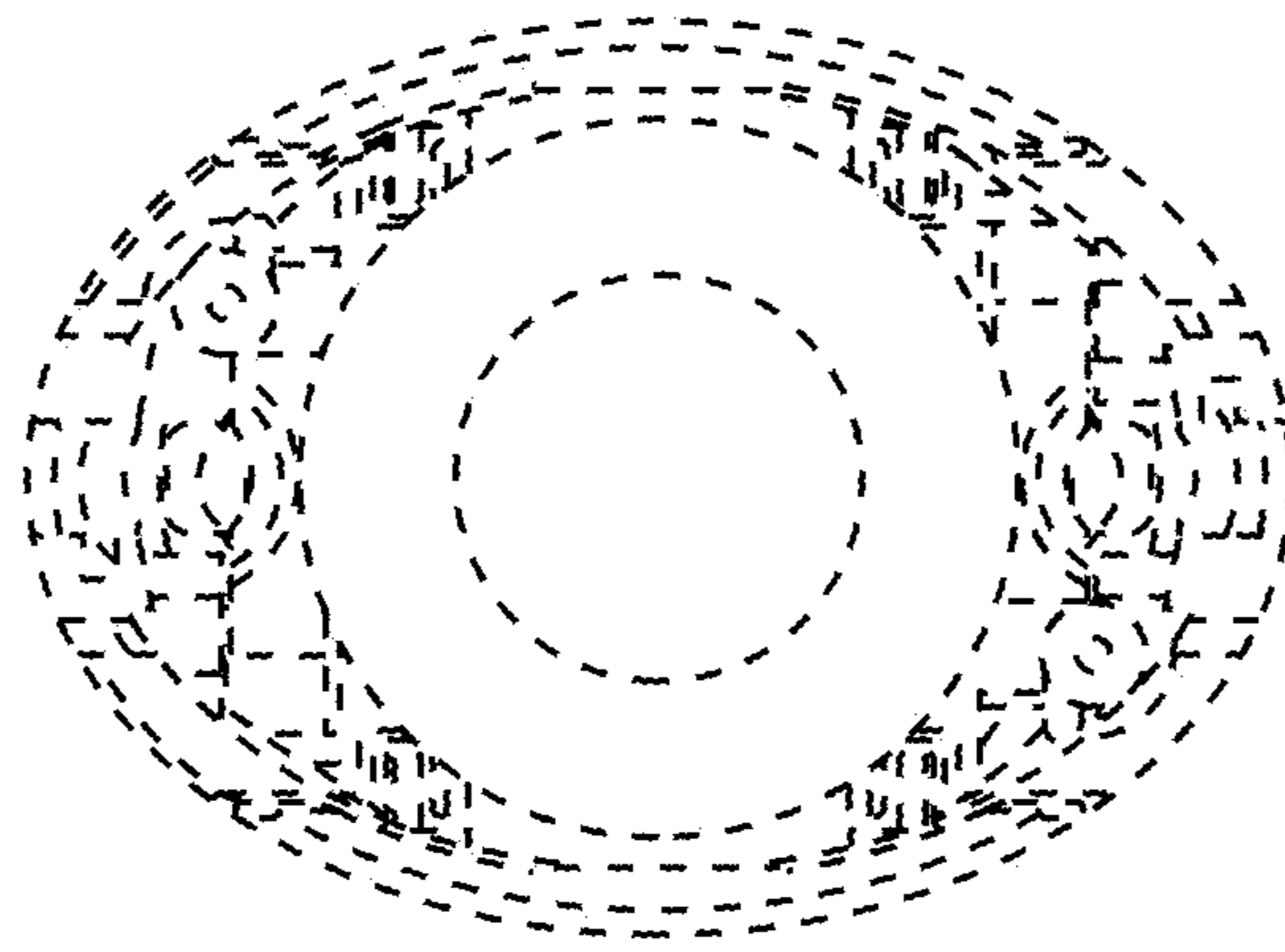


FIG. 8