



US00D956211S

(12) **United States Design Patent** (10) **Patent No.:** **US D956,211 S**
Bourelle et al. (45) **Date of Patent:** **** Jun. 28, 2022**

(54) **HANDHELD DRUG DELIVERY DEVICE**

(71) Applicant: **AMGEN INC.**, Thousand Oaks, CA (US)

(72) Inventors: **Dylan Bourelle**, Woodland Hills, CA (US); **Eric Ang-Schmid**, Thousand Oaks, CA (US); **Jakob Halkjaer Pedersen**, Virum (DK); **Joshua Jay Dudman**, Copenhagen (DK)

(73) Assignee: **AMGEN INC.**, Thousand Oaks, CA (US)

(**) Term: **15 Years**

(21) Appl. No.: **29/726,036**

(22) Filed: **Feb. 28, 2020**

(51) **LOC (13) Cl.** **24-02**

(52) **U.S. Cl.**
USPC **D24/113**

(58) **Field of Classification Search**
USPC D24/104, 107, 112-114, 117-119, 127, D24/130, 133, 186; D8/107; 604/181, 604/187, 272
CPC A61M 5/31535; A61M 2005/206; A61M 2005/208; A61M 2005/14268; A61M 2005/341; A61M 2209/045; A61M 5/1413; A61M 5/14244; A61M 5/14248; A61M 5/165; A61M 5/36; A61M 5/38; A61M 5/24

See application file for complete search history.

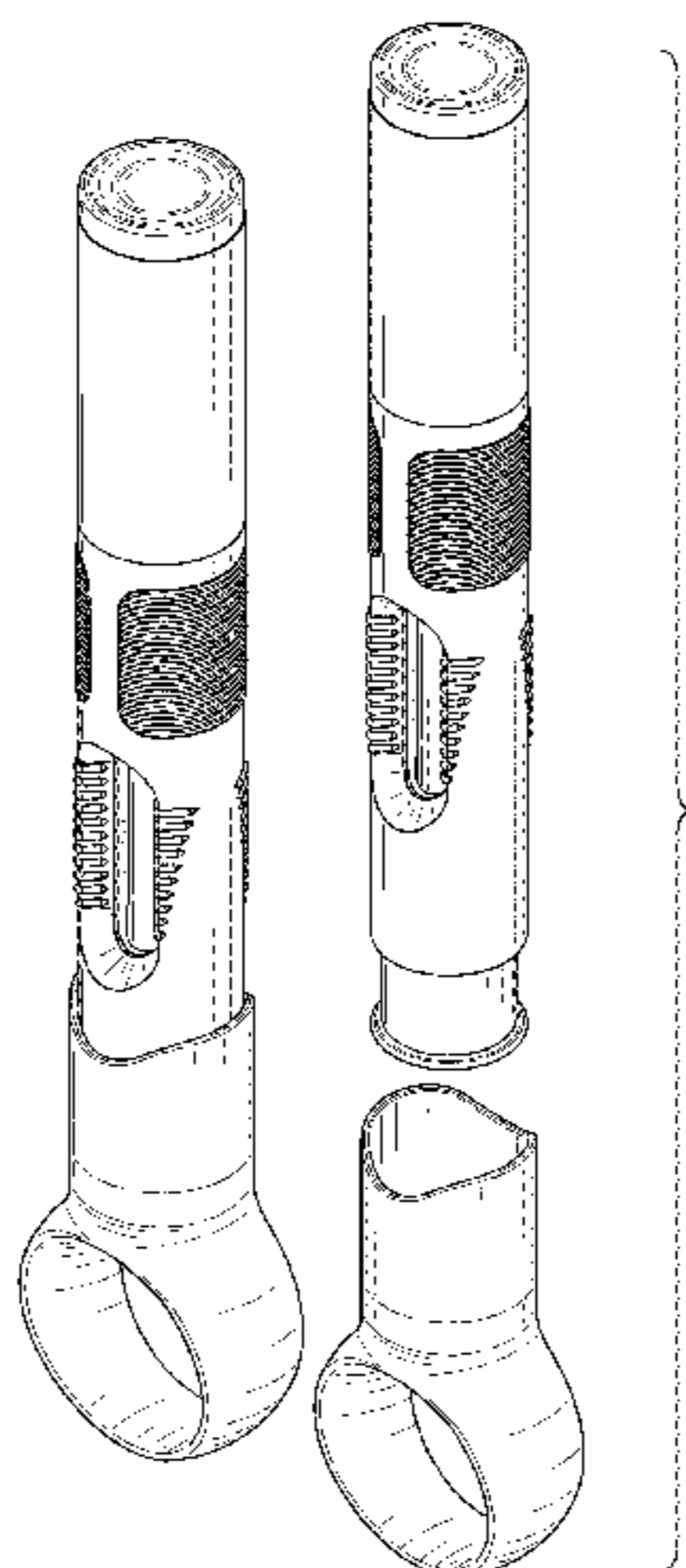
D612,486 S	3/2010	Van der Stappen	
D619,244 S	7/2010	Van der Stappen	
D622,374 S	8/2010	Julian et al.	
D626,994 S	11/2010	Gerules	
D627,061 S	11/2010	Van der Stappen	
D628,690 S	12/2010	Galbraith	
D629,509 S	12/2010	Julian et al.	
D640,786 S	6/2011	Sato et al.	
D660,958 S	5/2012	McLoughlin et al.	
8,298,194 B2	10/2012	Moeller	
D671,638 S *	11/2012	Young	D24/113
D696,397 S	12/2013	Guarraia et al.	
D696,772 S	12/2013	Schneider et al.	
D696,773 S	12/2013	Schneider et al.	
D696,774 S	12/2013	Guarraia et al.	
D696,775 S	12/2013	Guarraia et al.	
8,608,709 B2	12/2013	Moeller et al.	
D697,205 S	1/2014	Schneider et al.	
D708,317 S	7/2014	Schneider et al.	
D714,932 S	10/2014	Hall et al.	
D715,422 S	10/2014	Hall et al.	
D717,428 S	11/2014	Sendatzki et al.	
D721,802 S	1/2015	Ohashi	
D722,158 S	2/2015	Magome et al.	
D722,256 S *	2/2015	Kita	D8/30
8,945,065 B2 *	2/2015	Torris	A61M 5/3232 604/187
D726,902 S *	4/2015	McLoughlin	D24/113
D728,782 S	5/2015	Dubuc et al.	
D732,161 S	6/2015	Ohashi	
D732,661 S *	6/2015	Dubuc	D24/113
D735,848 S *	8/2015	Dubuc	D24/113
D737,639 S *	9/2015	Masalin	D8/13
D739,011 S	9/2015	Morrison et al.	
D739,932 S *	9/2015	Ratjen	D24/113
D755,956 S *	5/2016	McLoughlin	D24/113
D757,255 S	5/2016	Wohlfahrt et al.	
D758,566 S	6/2016	Chen	
D758,567 S	6/2016	Wohlfahrt et al.	
D758,568 S	6/2016	Wohlfahrt et al.	
D758,569 S	6/2016	Wohlfahrt et al.	
D758,570 S	6/2016	Wohlfahrt et al.	
D758,571 S	6/2016	Geert-Jensen et al.	
D759,813 S	6/2016	Newman et al.	
D759,814 S	6/2016	Newman et al.	
D765,239 S	8/2016	Hauck et al.	
D765,240 S	8/2016	Hauck et al.	
D766,425 S	9/2016	Hauck et al.	
D767,119 S	9/2016	Hauck et al.	
D770,610 S	11/2016	Saussaye et al.	
D773,648 S	12/2016	Wohlfahrt et al.	
D773,650 S	12/2016	Fourt et al.	
D774,639 S	12/2016	Saussaye et al.	

(56) **References Cited**

U.S. PATENT DOCUMENTS

758,567 A 4/1904 Siebelist
3,316,909 A * 5/1967 Cowley A61M 5/31
604/227

D321,472 S 11/1991 Evans et al.
D443,641 S 6/2001 Mader
D497,806 S 11/2004 Nichols et al.
D509,296 S 9/2005 Minshull et al.
D545,895 S 7/2007 Okutani



D774,641 S 12/2016 Miggels et al.
D775,279 S 12/2016 Shen
D780,909 S 3/2017 Burkett et al.
D783,816 S 4/2017 Wohlfahrt et al.
9,623,199 B2 4/2017 Richter et al.
D788,909 S * 6/2017 Ratjen D24/113
D789,519 S * 6/2017 Ratjen D24/112
D790,686 S * 6/2017 Cox D24/112
D793,547 S 8/2017 Burkett et al.
D794,178 S 8/2017 Daniel et al.
D794,777 S 8/2017 Daniel et al.
D794,778 S 8/2017 Daniel et al.
D799,026 S 10/2017 Jones et al.
D802,748 S 11/2017 Mills et al.
D809,137 S * 1/2018 Ratjen D24/130
D810,280 S 2/2018 Tharp et al.
D810,282 S 2/2018 Ratjen
D812,746 S * 3/2018 Umemura D24/133
D813,379 S 3/2018 Mills et al.
D814,022 S 3/2018 Boyaval et al.
D815,732 S 4/2018 Mills et al.
D816,212 S 4/2018 Daniel et al.
D819,198 S 5/2018 Boyaval et al.
D819,200 S 5/2018 Stonecipher et al.
D819,804 S * 6/2018 Knight D24/113
9,987,436 B2 6/2018 Giambattista et al.
D822,198 S 7/2018 Stonecipher et al.
D822,199 S 7/2018 Clawson et al.
D823,459 S 7/2018 Bendek et al.
D827,127 S 8/2018 Donnelly
D827,128 S 8/2018 Boyaval et al.
D830,539 S 10/2018 Boyaval et al.
10,159,795 B2 12/2018 Cave
10,265,476 B2 * 4/2019 Laiosa A61M 5/3129
D851,754 S 6/2019 Boyaval et al.
D857,192 S 8/2019 Burkett et al.
D861,859 S 10/2019 Rapp et al.
D864,378 S * 10/2019 Tafazoli D24/112
D866,751 S 11/2019 Rogge et al.
D866,752 S * 11/2019 Rogge D24/113
D866,757 S 11/2019 Diluzio et al.
D868,245 S 11/2019 Holmqvist et al.
D868,961 S 12/2019 Stewart et al.
D870,270 S 12/2019 Burkett et al.
10,512,725 B1 12/2019 Bauss et al.
D878,560 S 3/2020 Boyaval et al.
D878,564 S * 3/2020 Clawson D24/113
D878,566 S 3/2020 Jansen
D882,071 S 4/2020 Stonecipher et al.
D883,475 S 5/2020 Boyaval et al.
D886,281 S 6/2020 Boyaval et al.
D886,282 S 6/2020 Stonecipher et al.
D892,311 S 8/2020 Nicholas et al.
D892,312 S 8/2020 Nicholas et al.
10,780,256 B2 9/2020 Cordoba et al.
D898,189 S * 10/2020 Boyaval D24/113
D898,900 S 10/2020 Atterbury et al.
D922,567 S 6/2021 Boyaval et al.
2004/0068283 A1 4/2004 Fukuzawa et al.
2006/0100655 A1 5/2006 Leong et al.
2008/0269682 A1 10/2008 Kavazov et al.
2008/0269692 A1 10/2008 James et al.
2012/0123350 A1 5/2012 Giambattista et al.
2013/0060231 A1 3/2013 Adlon et al.
2013/0211330 A1 8/2013 Pedersen et al.
2014/0207073 A1 7/2014 Shang et al.
2014/0221916 A1 8/2014 Kramer et al.
2014/0221936 A1 8/2014 Edhouse et al.
2014/0228769 A1 8/2014 Karlsson et al.
2014/0330216 A1 11/2014 Weaver et al.
2014/0336588 A1 * 11/2014 McLoughlin A61M 5/1452
604/198
2014/0343507 A1 11/2014 Karlsson et al.
2014/0364812 A1 12/2014 Lumme et al.
2014/0371684 A1 12/2014 Holmqvist
2015/0190577 A1 7/2015 Shaanan et al.
2015/0335829 A1 11/2015 Giambattista et al.
2016/0106929 A1 4/2016 Fournier et al.
2016/0151586 A1 6/2016 Kemp

2016/0193413 A1 7/2016 Gabrielsson
2016/0263325 A1 9/2016 Huthmacher et al.
2016/0303327 A1 10/2016 Moren
2017/0128668 A1 5/2017 Miller et al.
2017/0182242 A1 6/2017 Galitz et al.
2018/0043101 A1 2/2018 Weaver et al.
2018/0104413 A1 * 4/2018 McLoughlin A61M 5/204
2019/0266921 A1 8/2019 Chang
2019/0298924 A1 10/2019 Gibson et al.
2020/0179612 A1 6/2020 Wei
2020/0258425 A1 8/2020 Foley et al.
2021/0093789 A1 * 4/2021 Plambech A61M 5/3243
2021/0093797 A1 * 4/2021 Finkelstein A61M 5/2033

FOREIGN PATENT DOCUMENTS

CN	302858428 S	6/2014
CN	304223460 S	7/2017
RU	100256 U1	12/2010
RU	100299 U1	12/2010
TW	D179360	11/2016
TW	D179362	11/2016

OTHER PUBLICATIONS

[30 Years in the Making—An Inside Perspective on the Emergence of Autoinjectors], available on ONdrugDelivery Magazine, Issue 101 (Oct. 2019), pp. 20-23, by McGowan M, published Oct. 2, 2019 [online], [site visited Dec. 7, 2021], Internet URL: <https://www.ondrugdelivery.com/wp-content/uploads/2019/09/101_2019_SHL_article.pdf>. (Year: 2019).*

Industrial Design DM/092744, Millennium Pharmaceuticals, Inc., Registration date Sep. 6, 2016.
Internet publication <https://www.youtube.com/watch?v=VbGb5lt9n80>, dated Sep. 30, 2014.
Office Action and Search Report for Taiwan application No. 1066305338, dated Mar. 26, 2018.
Office Action, Israel Design Office, Application No. 60912, Mar. 4, 2018.

* cited by examiner

Primary Examiner — Jonathan J Han
Assistant Examiner — Amanda J Berlinski
(74) *Attorney, Agent, or Firm* — Marshall, Gerstein & Borun LLP

(57) CLAIM

The ornamental design for a handheld drug delivery device, as shown and described.

DESCRIPTION

The patent or application file contains at least one drawing executed in color. Copies of this patent or patent application publication with color drawing(s) will be provided by the Office upon request and payment of the necessary fee.
FIG. 1 is a perspective view showing a new design for a handheld drug delivery device;
FIG. 2 is a front view of the handheld drug delivery device of FIG. 1;
FIG. 3 is a rear view of the handheld drug delivery device of FIG. 1;
FIG. 4 is a right-side view of the handheld drug delivery device of FIG. 1;
FIG. 5 is a left-side view of the handheld drug delivery device of FIG. 1;
FIG. 6 is a top view of the handheld drug delivery device of FIG. 1;

FIG. 7 is a bottom view of the handheld drug delivery device of FIG. 1;

FIG. 8 is a perspective view of the handheld drug delivery device of FIG. 1 with its cap removed;

FIG. 9 is a perspective view showing a second embodiment of the new design for a handheld drug delivery device;

FIG. 10 is a front view of the handheld drug delivery device of FIG. 9;

FIG. 11 is a rear view of the handheld drug delivery device of FIG. 9;

FIG. 12 is a right-side view of the handheld drug delivery device of FIG. 9;

FIG. 13 is a left-side view of the handheld drug delivery device of FIG. 9;

FIG. 14 is a top view of the handheld drug delivery device of FIG. 9;

FIG. 15 is a bottom view of the handheld drug delivery device of FIG. 9; and,

FIG. 16 is a perspective view of the handheld drug delivery device of FIG. 9 with its cap removed.

**1 Claim, 10 Drawing Sheets
(5 of 10 Drawing Sheet(s) Filed in Color)**

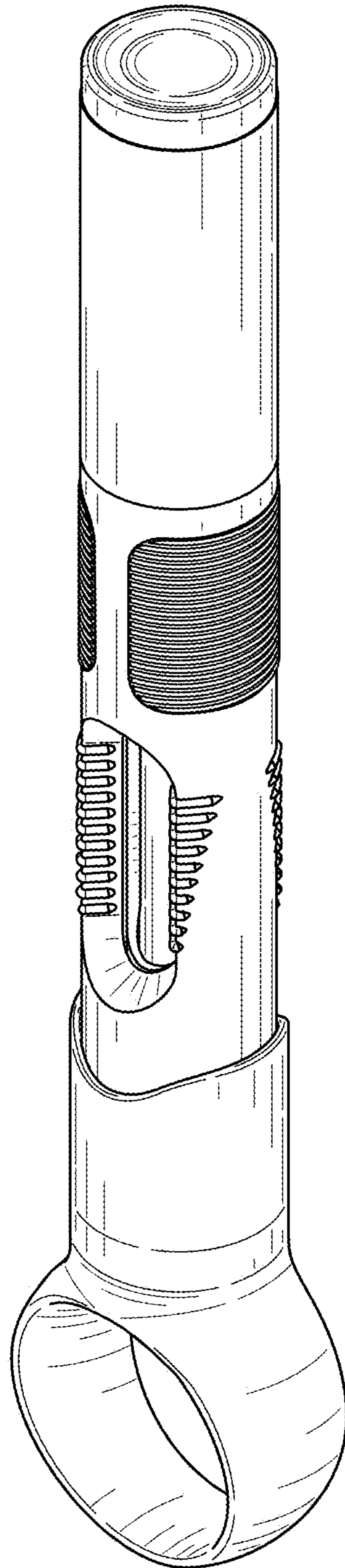


FIG. 1

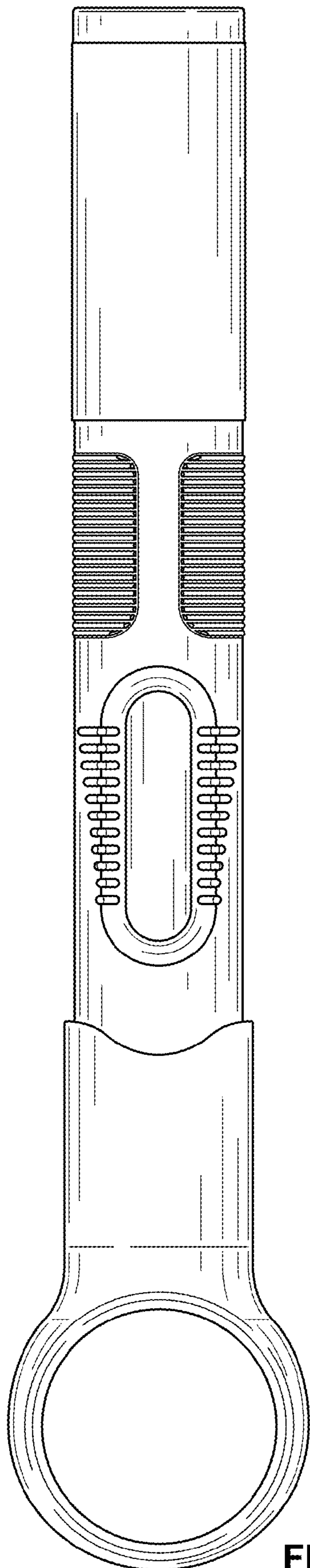


FIG. 2

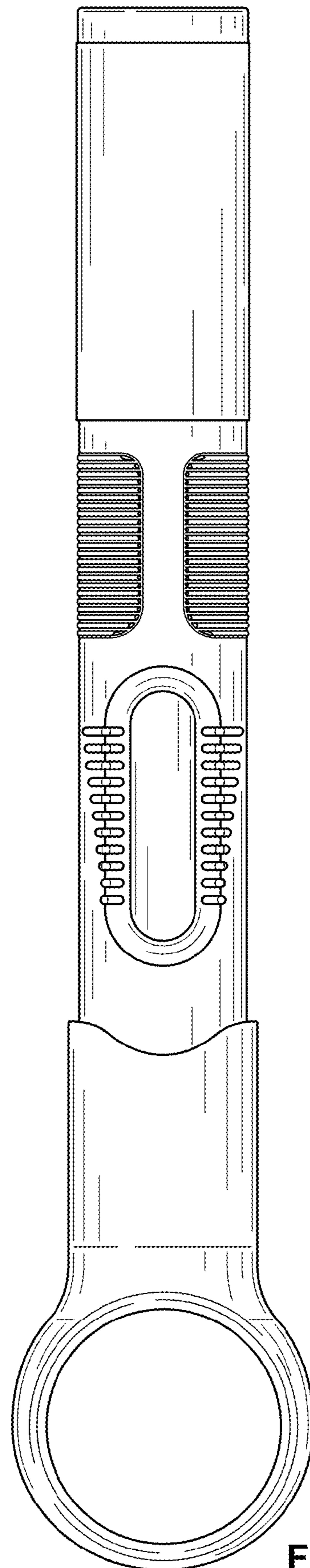


FIG. 3

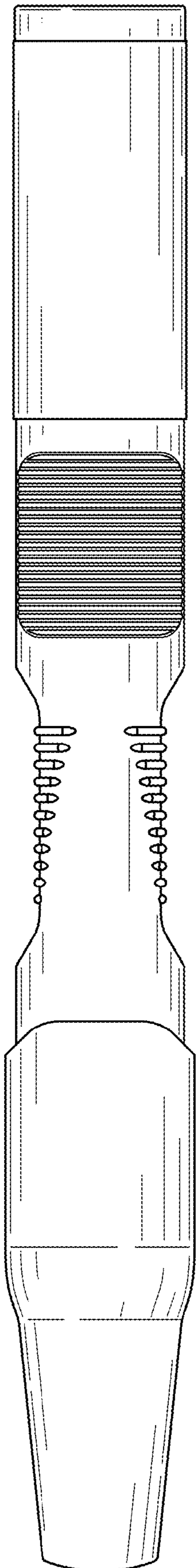


FIG. 4

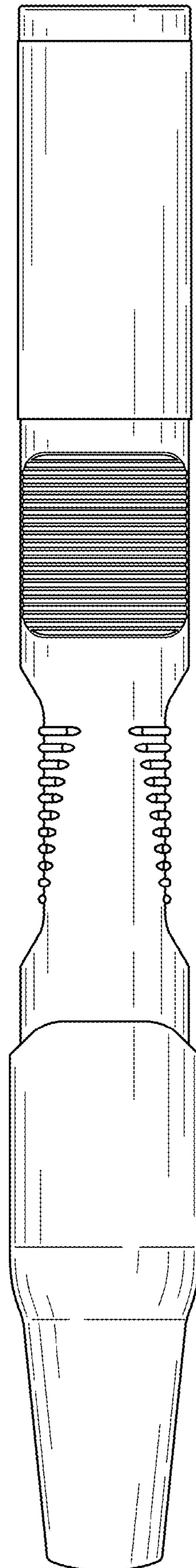


FIG. 5

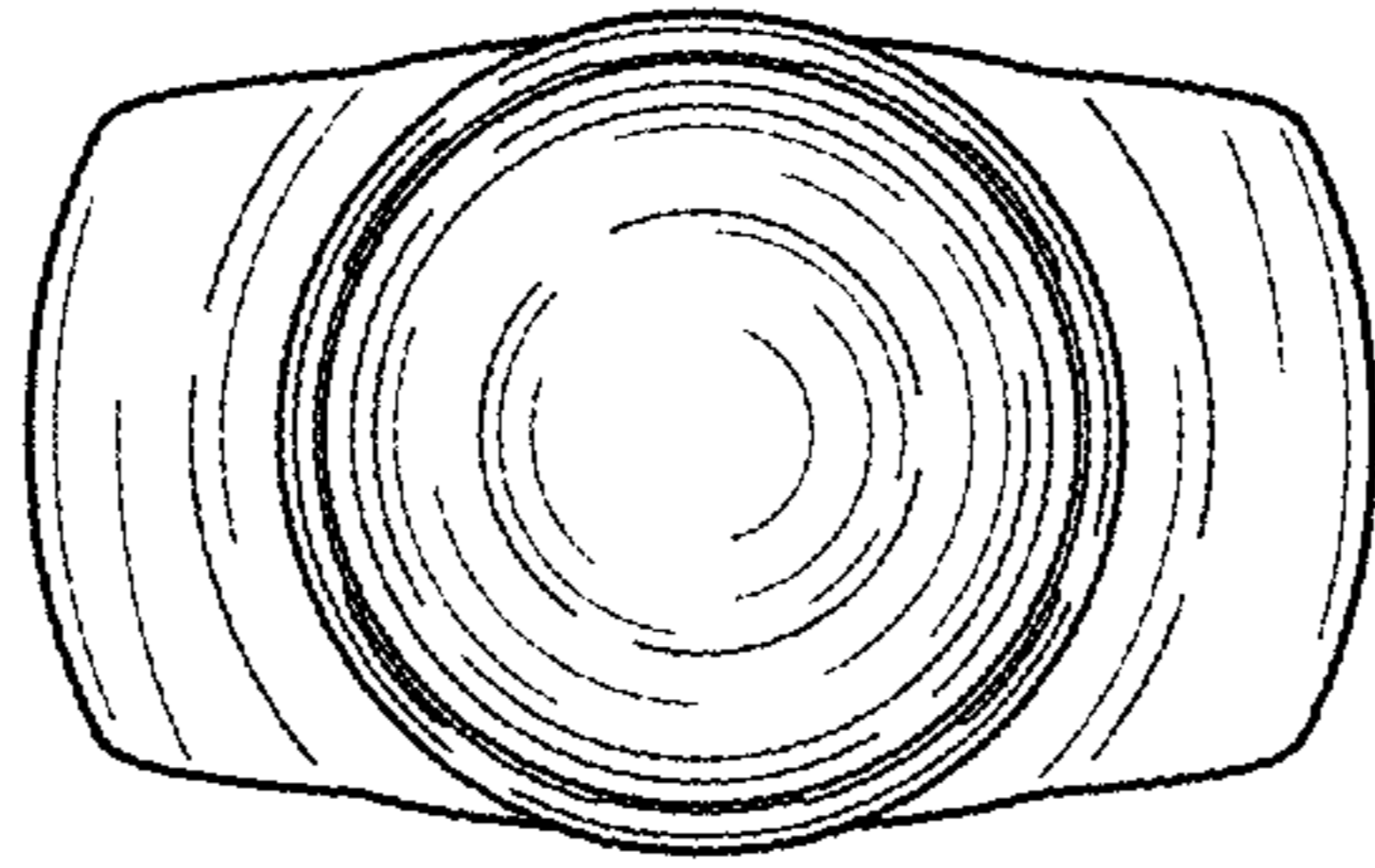


FIG. 6

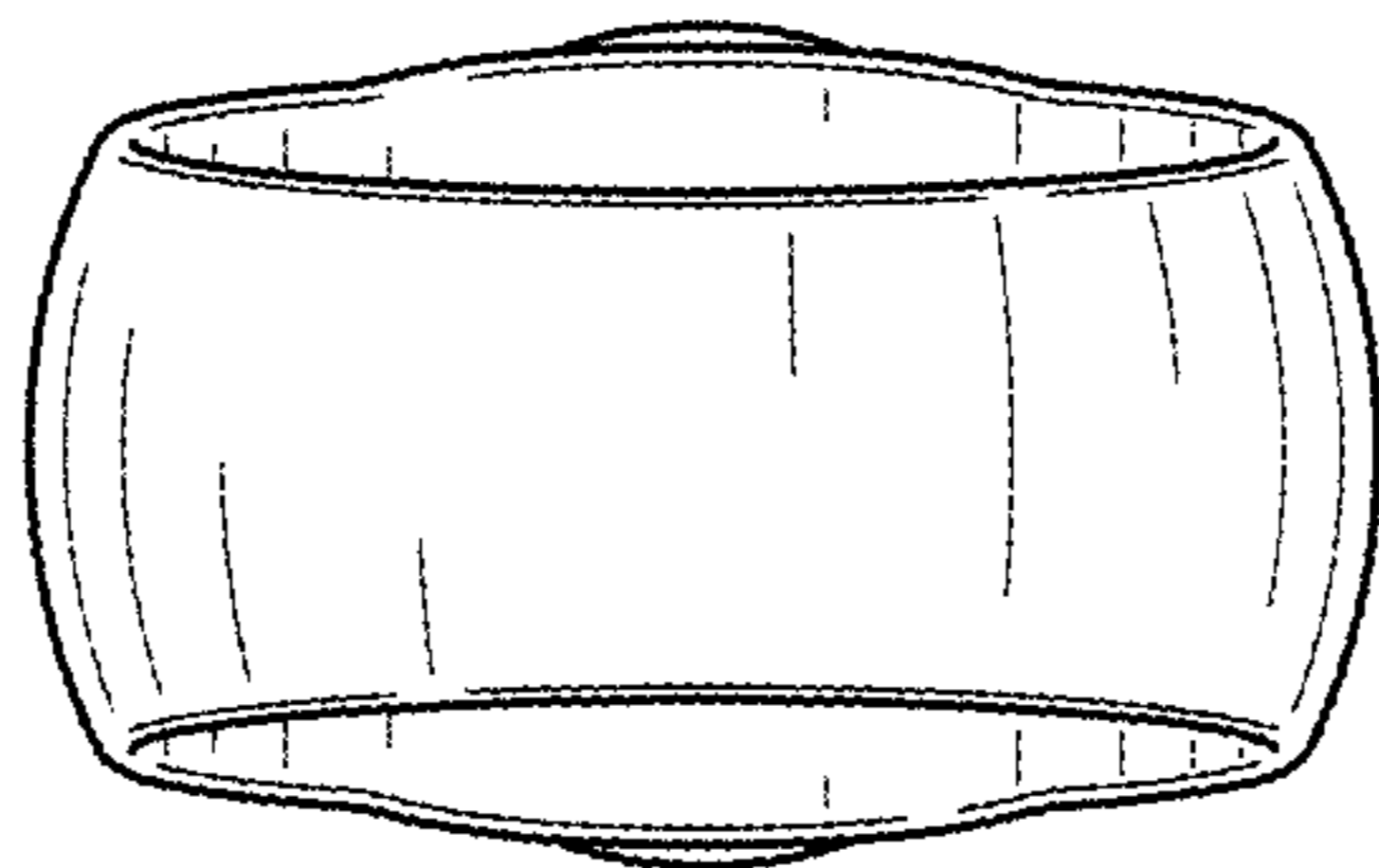


FIG. 7

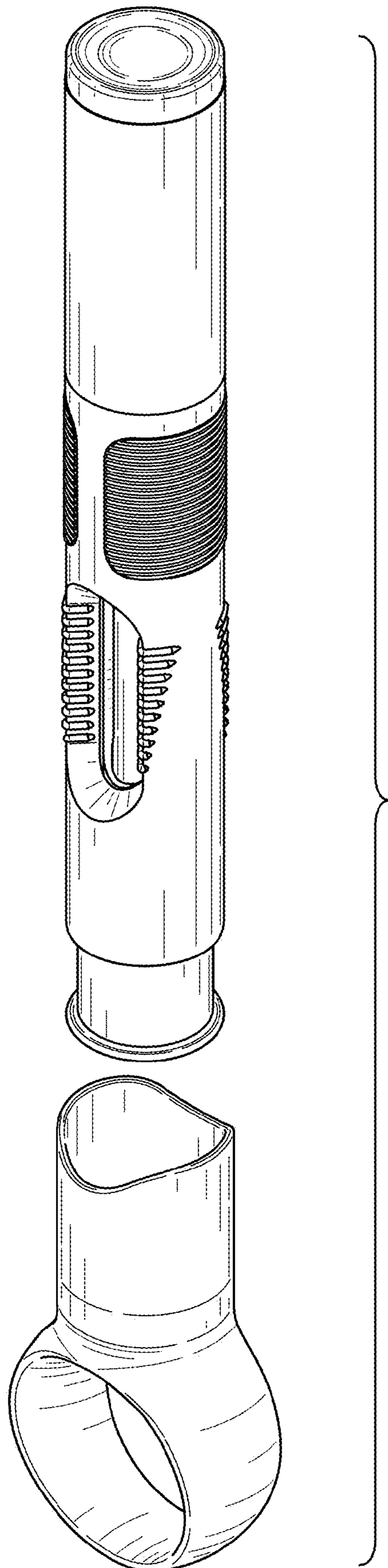


FIG. 8

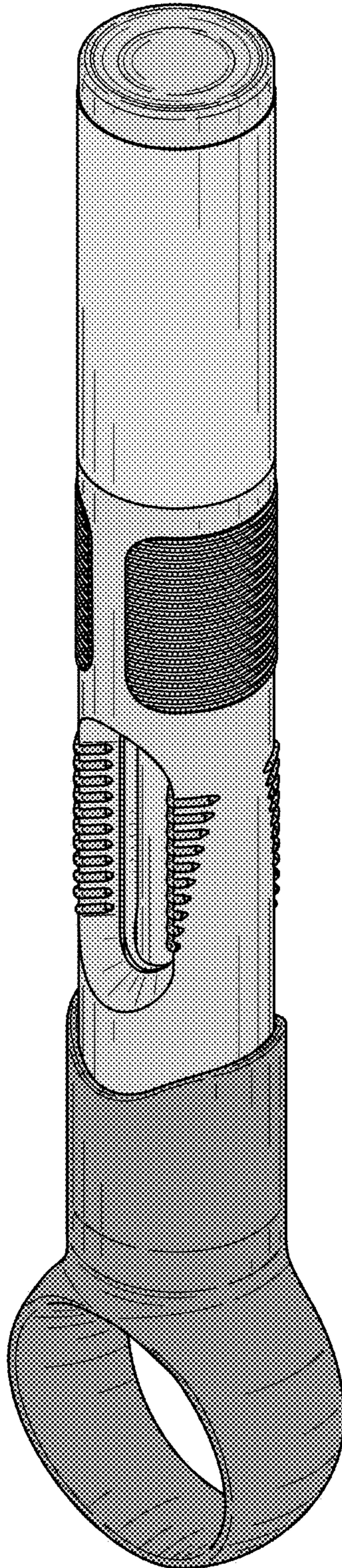


FIG. 9

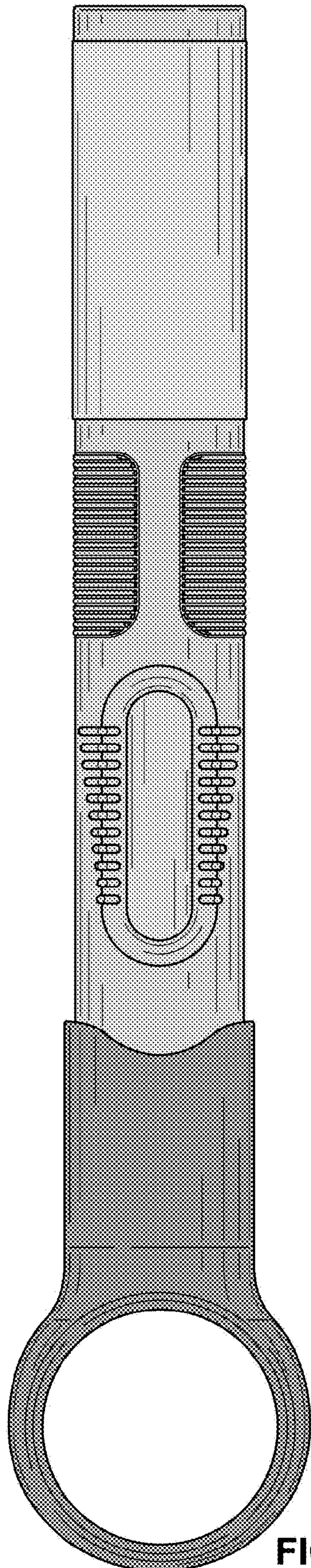


FIG. 10

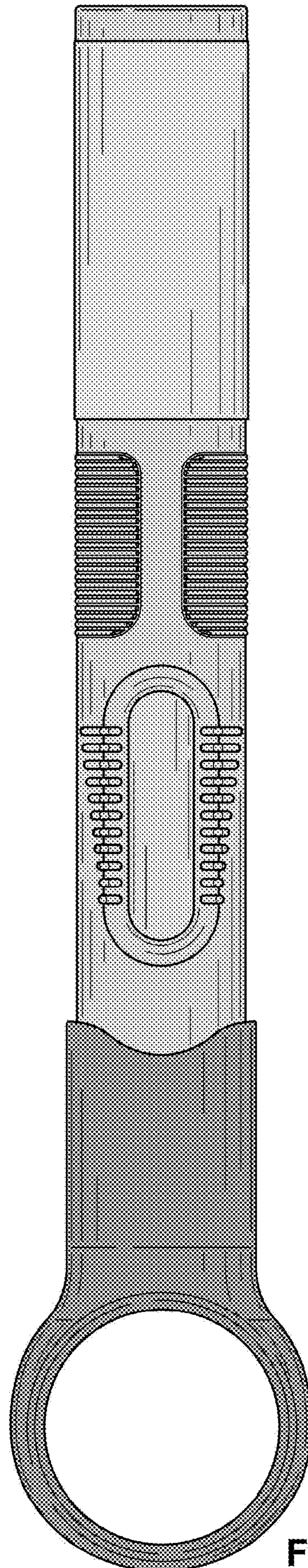


FIG. 11

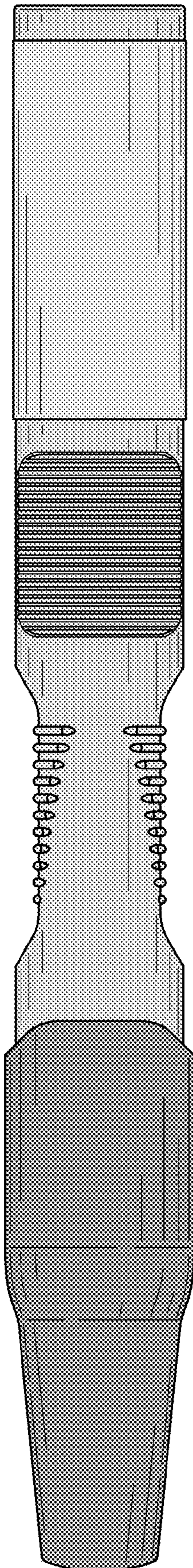


FIG. 12

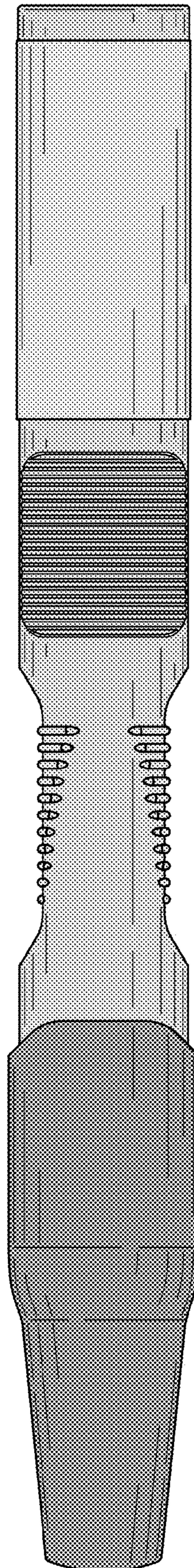


FIG. 13

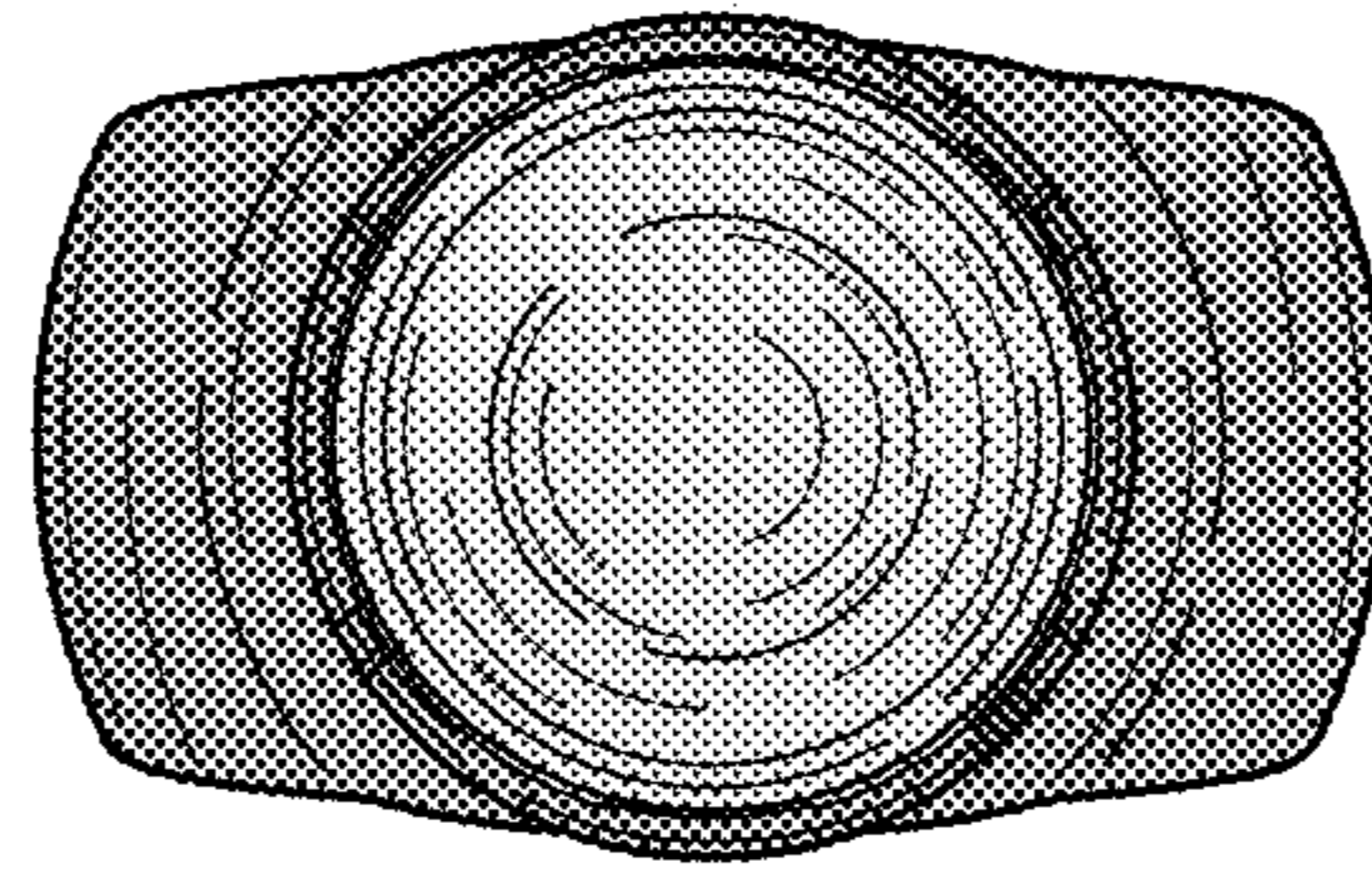


FIG. 14

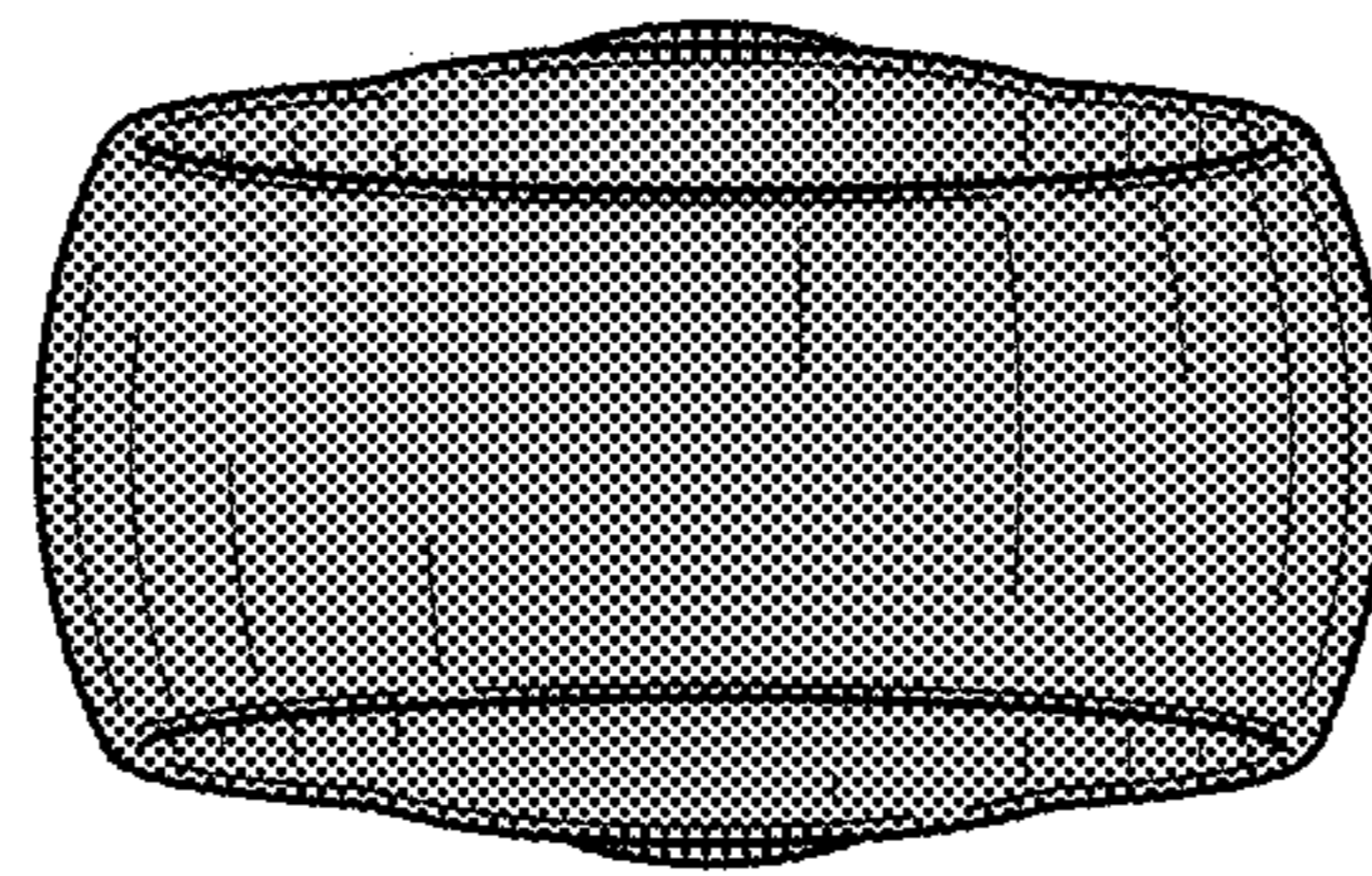


FIG. 15

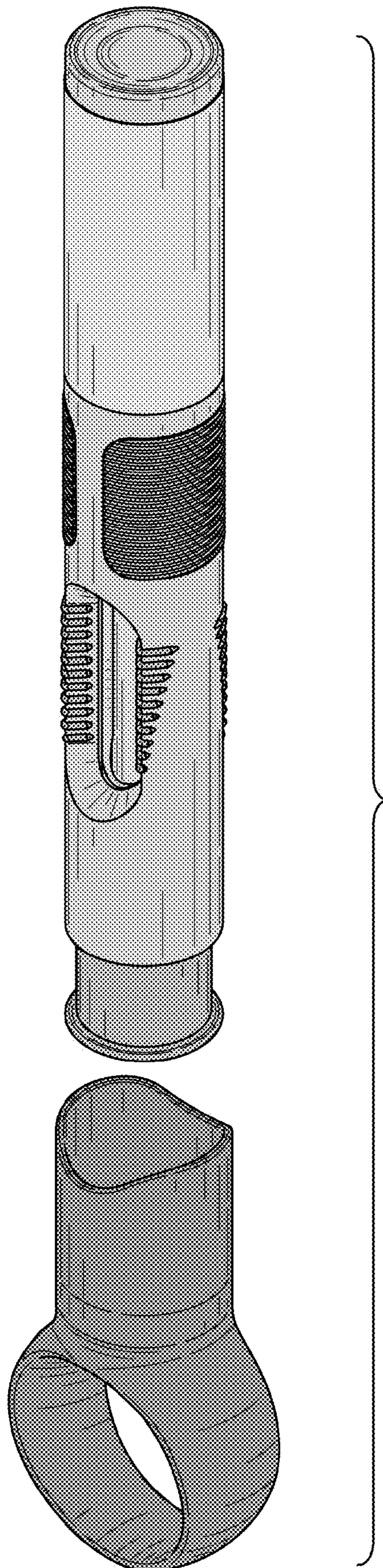


FIG. 16