



US00D956210S

(12) **United States Design Patent**
Dantanarayana et al.

(10) **Patent No.:** **US D956,210 S**
(45) **Date of Patent:** **** Jun. 28, 2022**

- (54) **AIR DELIVERY ADAPTER FOR RESPIRATORY MASK**
- (71) Applicant: **ResMed Pty Ltd**, Bella Vista (AU)
- (72) Inventors: **Muditha Pradeep Dantanarayana**, Sydney (AU); **Charles Harry Finch**, Sydney (AU); **Chia Ik Tan**, Sydney (AU); **Stewart Joseph Wagner**, Hawkesbury (AU)
- (73) Assignee: **ResMed Pty Ltd**, Bella Vista (AU)
- (**) Term: **15 Years**
- (21) Appl. No.: **29/745,781**
- (22) Filed: **Aug. 9, 2020**

Related U.S. Application Data

- (62) Division of application No. 29/585,940, filed on Nov. 30, 2016, now Pat. No. Des. 895,102.
- (51) **LOC (13) Cl.** **29-02**
- (52) **U.S. Cl.**
USPC **D24/110.4**
- (58) **Field of Classification Search**
USPC D24/110-110.6, 127, 129; D29/110
CPC A61M 16/0616; A61M 16/0633; A61M 16/06; A61M 16/0666; A61M 16/0683; A61M 16/0605; A61M 16/0622; A61M
(Continued)

(56) **References Cited**

U.S. PATENT DOCUMENTS

- D558,333 S * 12/2007 Hitchcock D24/110.1
 - D578,206 S * 10/2008 Hitchcock D24/110.1
- (Continued)

OTHER PUBLICATIONS

Dantanarayana et al., U.S. Appl. No. 29/585,940, filed Nov. 30, 2016, entitled: Air Delivery Adapter for Respiratory Mask and/or Components Thereof, (parent application).

Primary Examiner — Sheryl Lane
Assistant Examiner — Aula Soroush
(74) *Attorney, Agent, or Firm* — Nixon & Vanderhye P.C.

(57) **CLAIM**

The ornamental design for an air delivery adapter for respiratory mask, as shown and described.

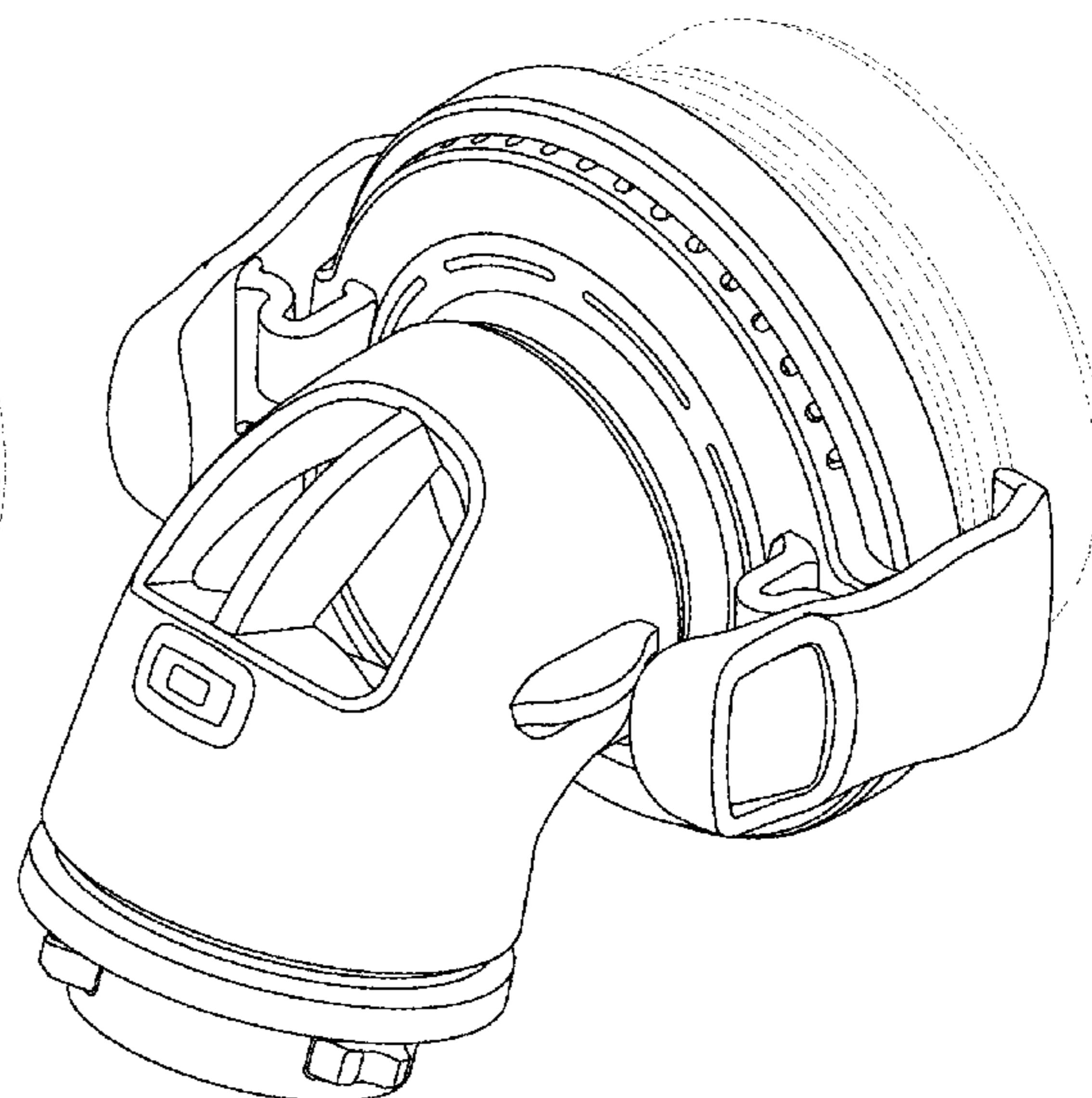
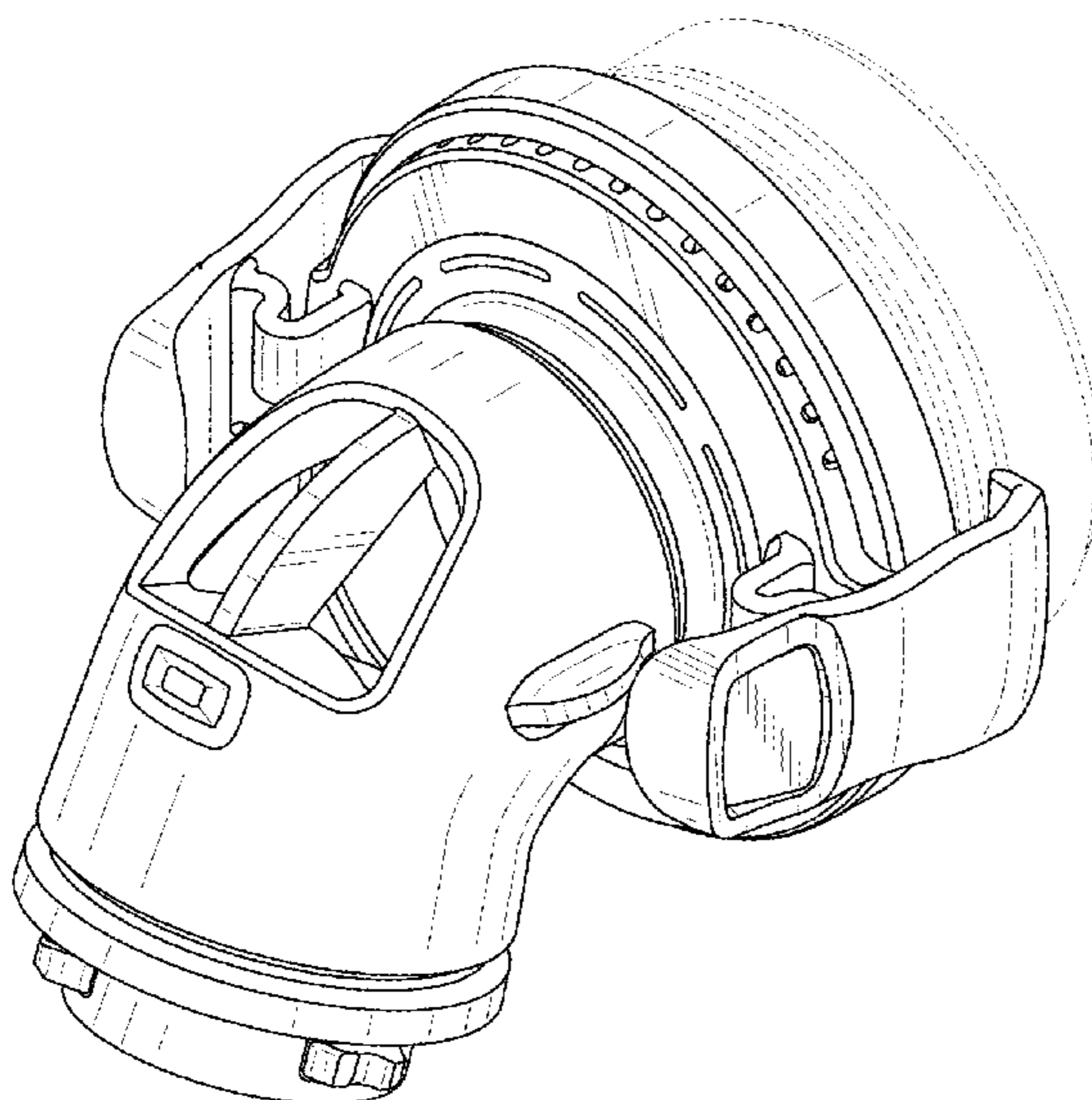
DESCRIPTION

FIG. 1 is a front perspective view of an air delivery adapter for respiratory mask showing a first embodiment of our new design;
 FIG. 2 is a front perspective view thereof with the broken lines of FIG. 1 removed;
 FIG. 3 is a front view thereof;
 FIG. 4 is a rear view thereof;
 FIG. 5 is a top view thereof;
 FIG. 6 is a bottom view thereof;
 FIG. 7 is a left side view thereof;
 FIG. 8 is a right side view thereof;
 FIG. 9 is a rear perspective view thereof;
 FIG. 10 is a front perspective view of an air delivery adapter for respiratory mask showing a second embodiment of our new design;
 FIG. 11 is a front perspective view thereof with the broken lines of FIG. 10 removed;
 FIG. 12 is a front view thereof;
 FIG. 13 is a rear view thereof;
 FIG. 14 is a top view thereof;
 FIG. 15 is a bottom view thereof;
 FIG. 16 is a left side view thereof;
 FIG. 17 is a right side view thereof; and,
 FIG. 18 is a rear perspective view thereof.

The broken lines represent portions of the air delivery adapter for respiratory mask and do not form part of the claimed design.

The heavily stippled area of the air delivery adapter for patient interface represents a contrasting appearance.

1 Claim, 14 Drawing Sheets



US D956,210 S

Page 2

(58) **Field of Classification Search**

CPC 16/0644; A61M 16/0875; A61M 16/0816;
A61M 16/08; B63C 11/205; B63C 11/16;
B63C 11/186; B63C 11/12

See application file for complete search history.

(56) **References Cited**

U.S. PATENT DOCUMENTS

D600,343 S * 9/2009 Degabriele D24/110.1
D612,481 S * 3/2010 Reid D24/110.1
D612,482 S * 3/2010 Degabriele D24/110.1
D637,283 S * 5/2011 Selvarajan D24/110.1
D678,506 S * 3/2013 Fahy D24/110
D678,999 S * 3/2013 Selvarajan D24/110
D681,191 S * 4/2013 Shick D24/110.1
D689,602 S * 9/2013 Amirav D24/110
D691,713 S * 10/2013 Fahy D24/110.1
D785,161 S * 4/2017 Dravitzki D24/110.4
9,821,134 B2 * 11/2017 Drew A61M 16/0633
D808,008 S * 1/2018 Burnham D24/110.4
D819,801 S * 6/2018 Henry D24/110.1
D855,794 S * 8/2019 Gray D24/110.4
D895,102 S * 9/2020 Dantanarayana D24/110.1
2002/0023650 A1 * 2/2002 Gunaratnam A61M 16/0683
128/205.25

2003/0089373 A1 * 5/2003 Gradon A61M 16/06
128/206.27
2004/0221850 A1 * 11/2004 Ging A61M 16/0683
128/206.27
2006/0042629 A1 * 3/2006 Geist A61M 16/06
128/206.24
2006/0266365 A1 * 11/2006 Stallard A61M 16/08
128/207.13
2007/0125385 A1 * 6/2007 Ho A61M 16/0666
128/206.26
2007/0272249 A1 * 11/2007 Chandran A61M 16/0666
128/206.28
2008/0047561 A1 * 2/2008 Fu A61M 16/0638
128/207.12
2009/0173343 A1 * 7/2009 Omura A61M 16/0683
128/202.27
2010/0000538 A1 * 1/2010 Edwards A61M 16/08
128/205.25
2010/0006101 A1 * 1/2010 McAuley A61M 16/0683
128/206.24
2012/0055478 A1 * 3/2012 Wilkinson A61M 16/0677
128/204.23
2012/0138063 A1 * 6/2012 Eves A61M 16/0683
128/206.24
2014/0261427 A1 * 9/2014 Foote A61M 16/0069
128/204.23
2018/0001047 A1 * 1/2018 McAuley A61M 16/0816

* cited by examiner

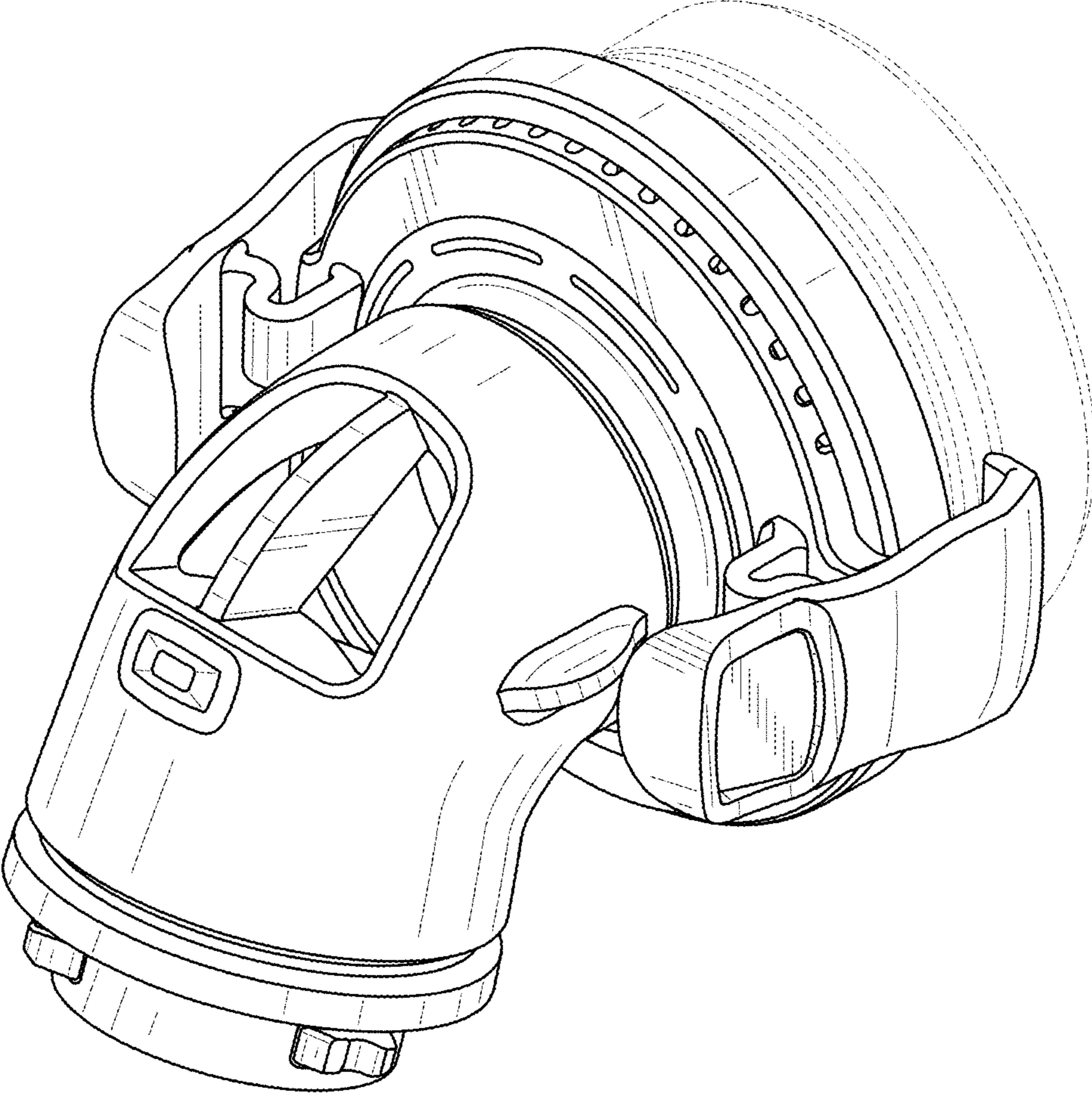


FIG. 1

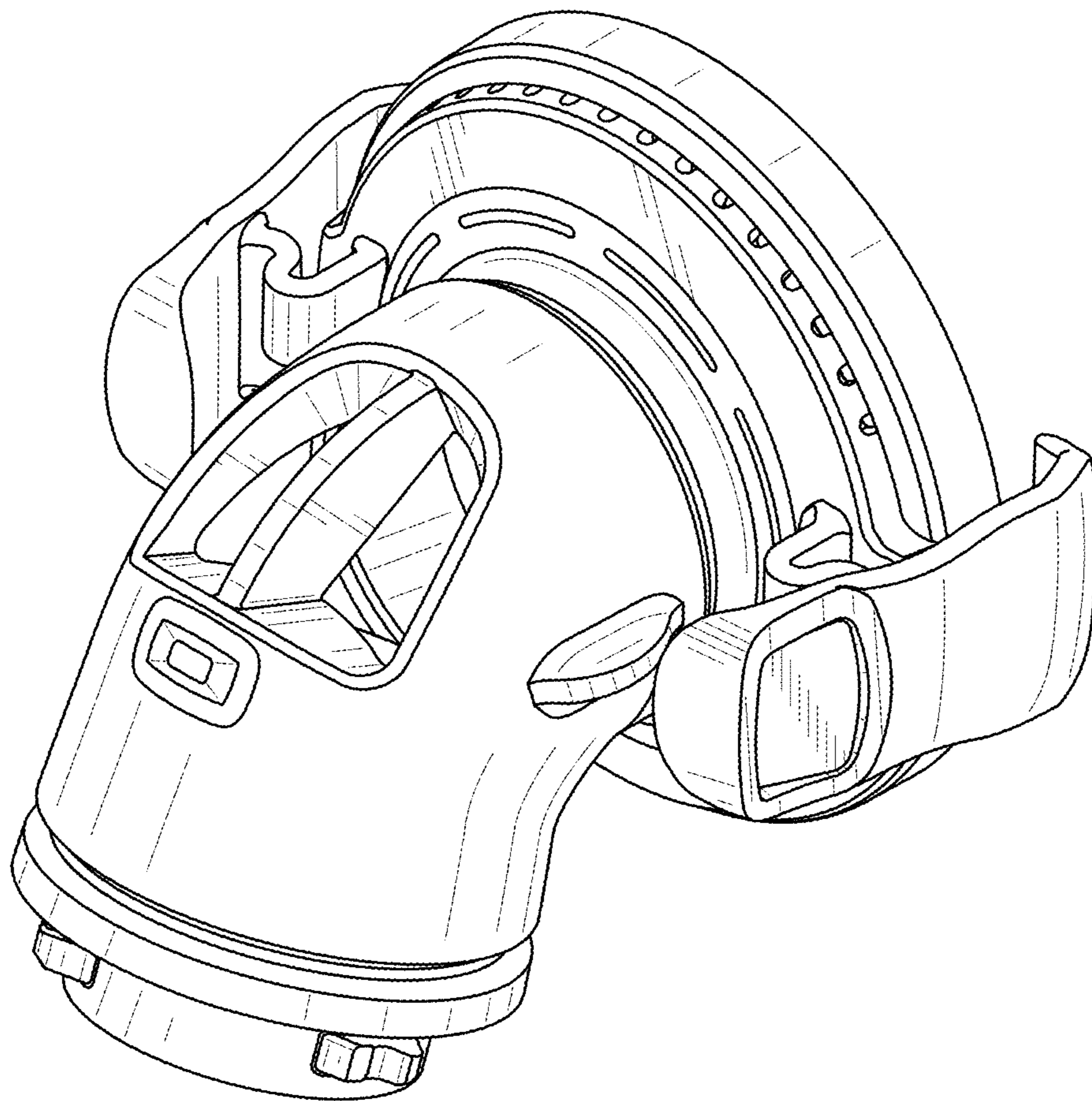


FIG. 2

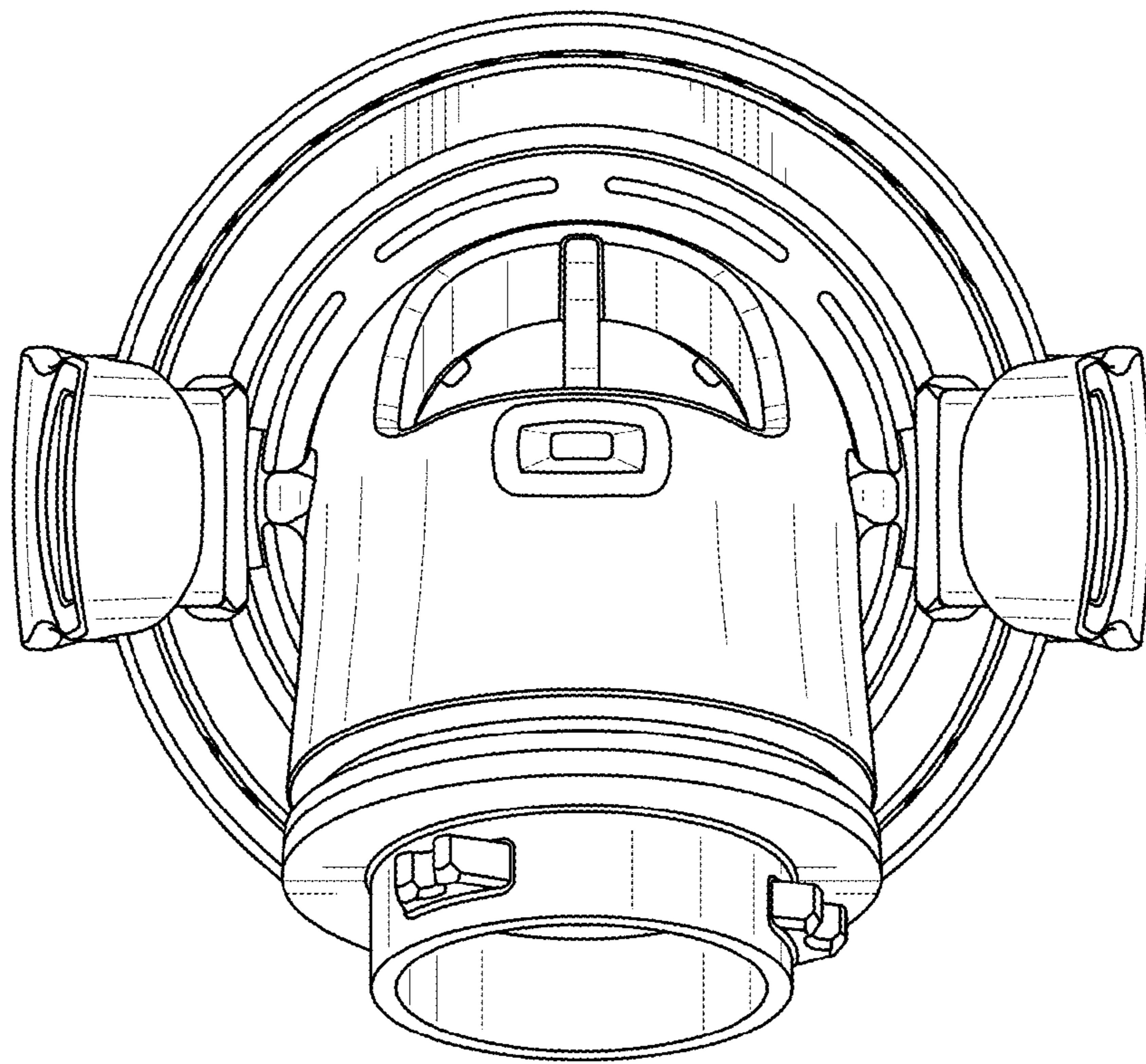


FIG. 3

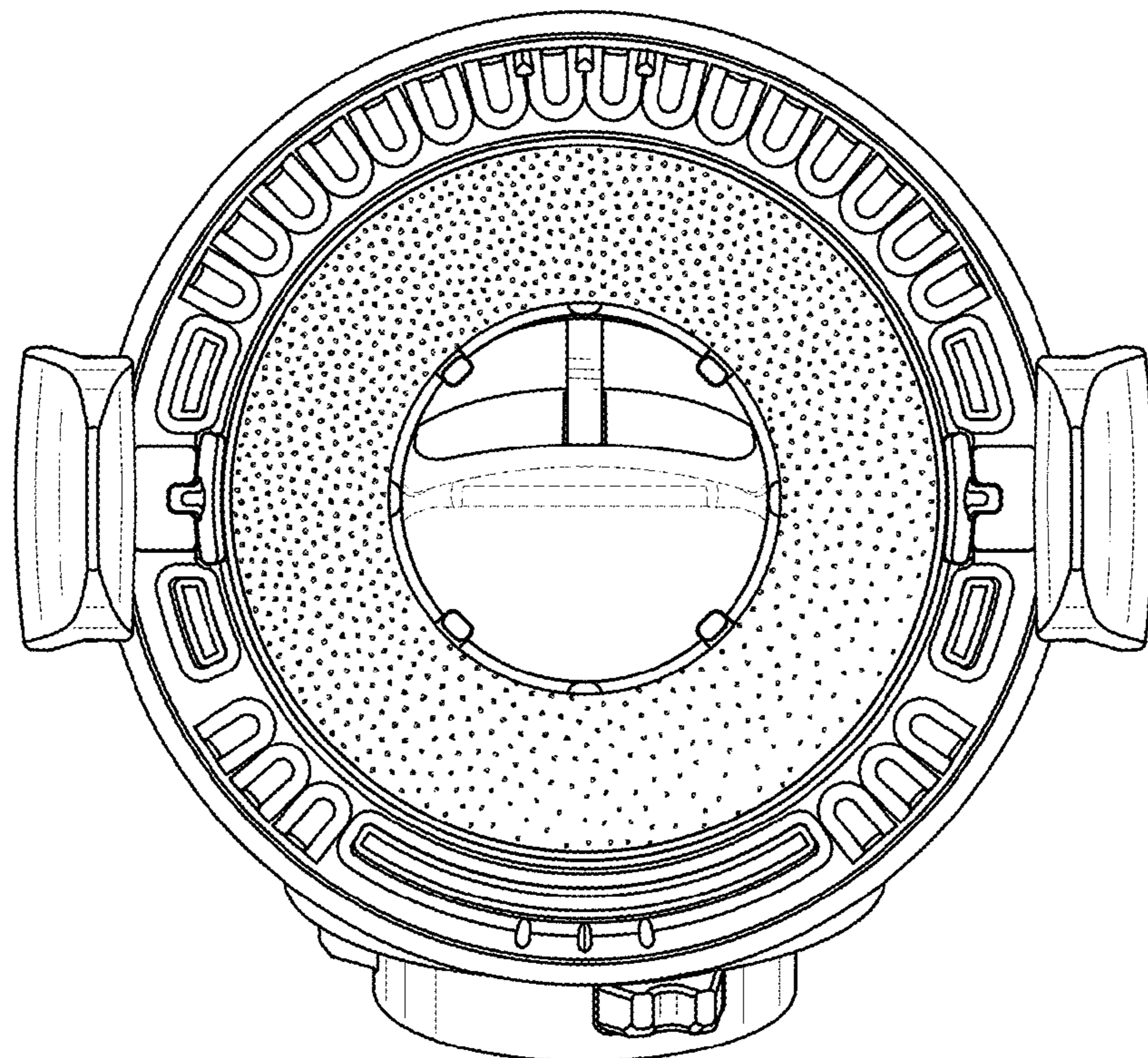


FIG. 4

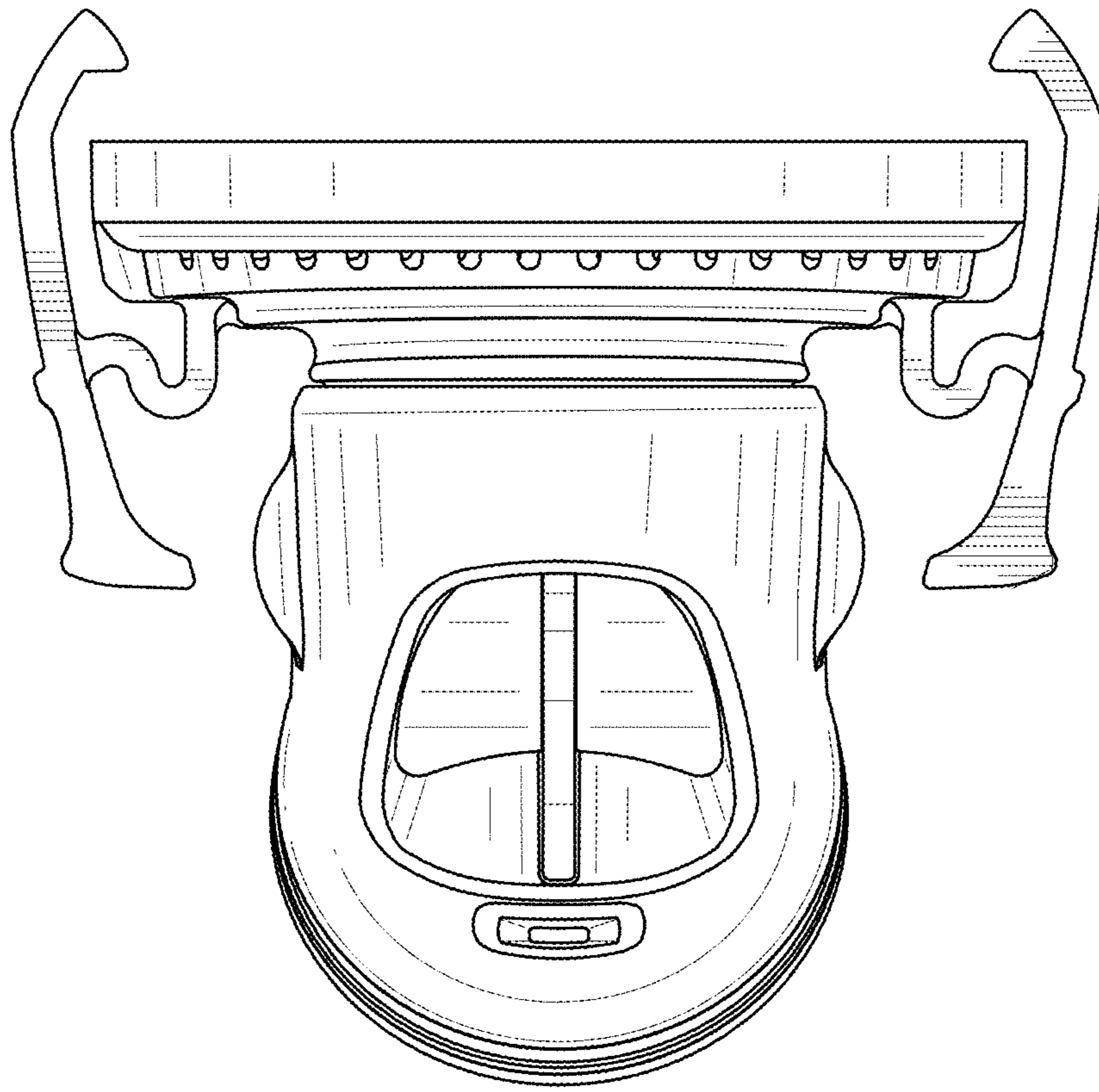


FIG. 5

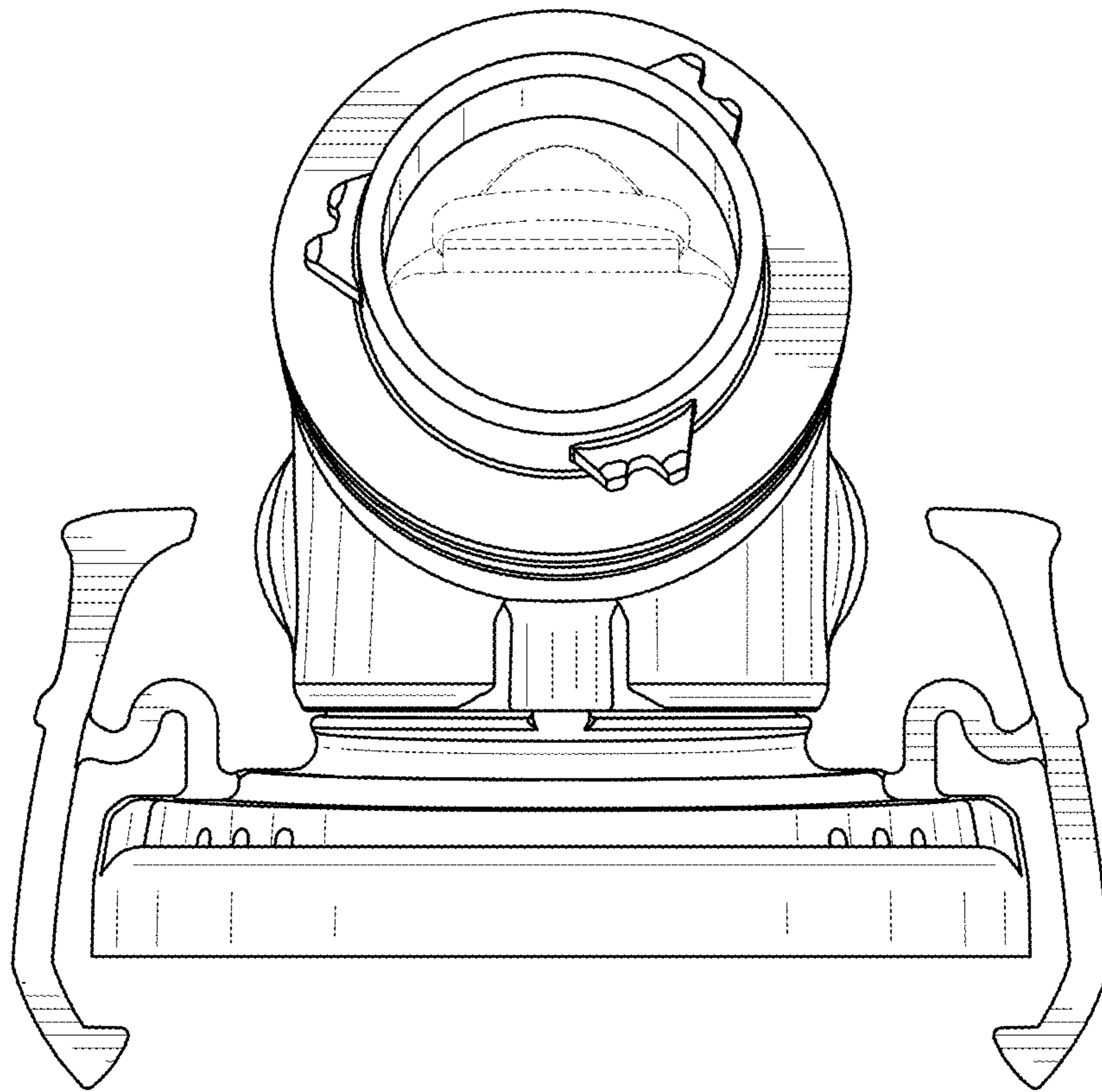


FIG. 6

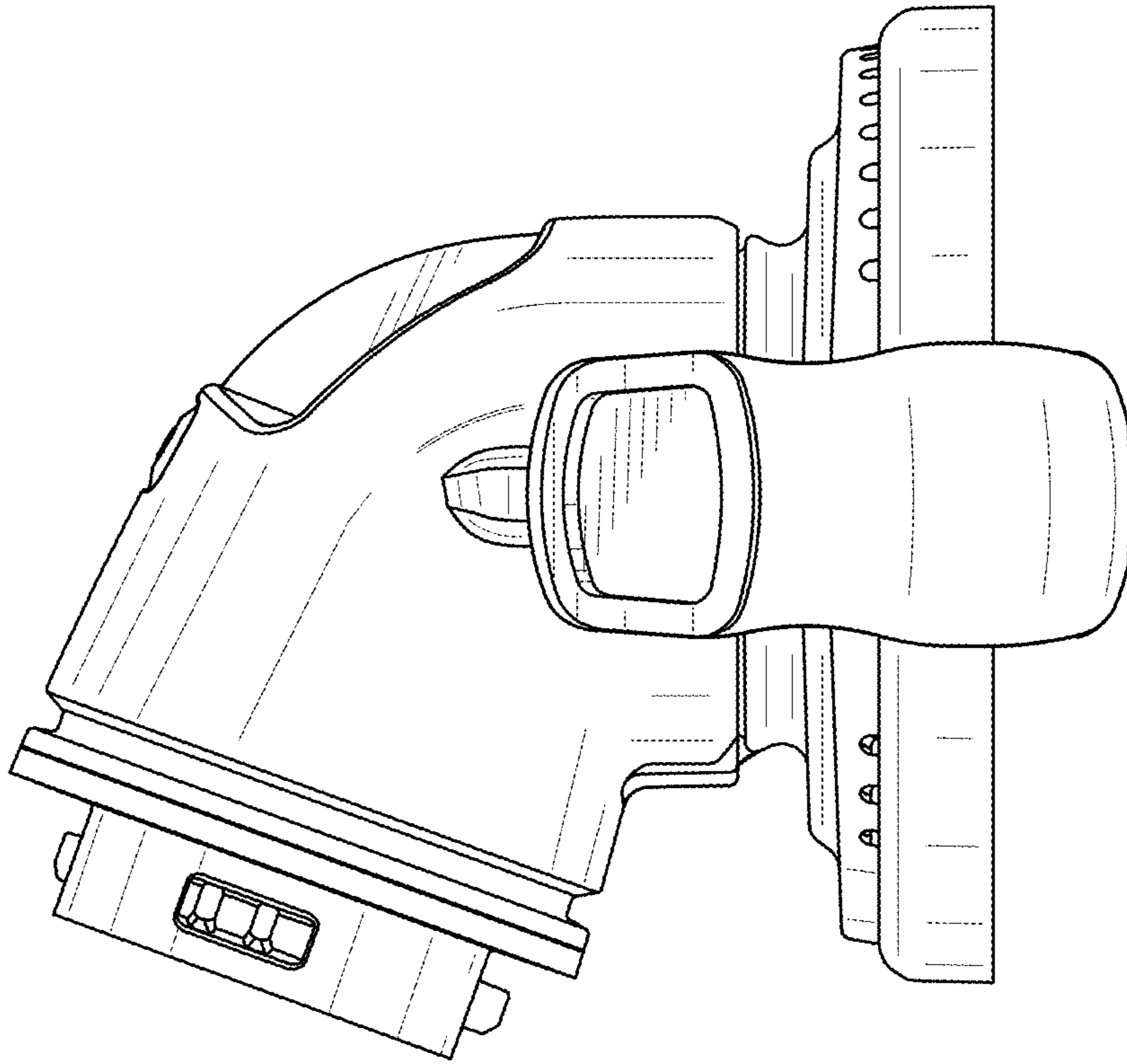


FIG. 7

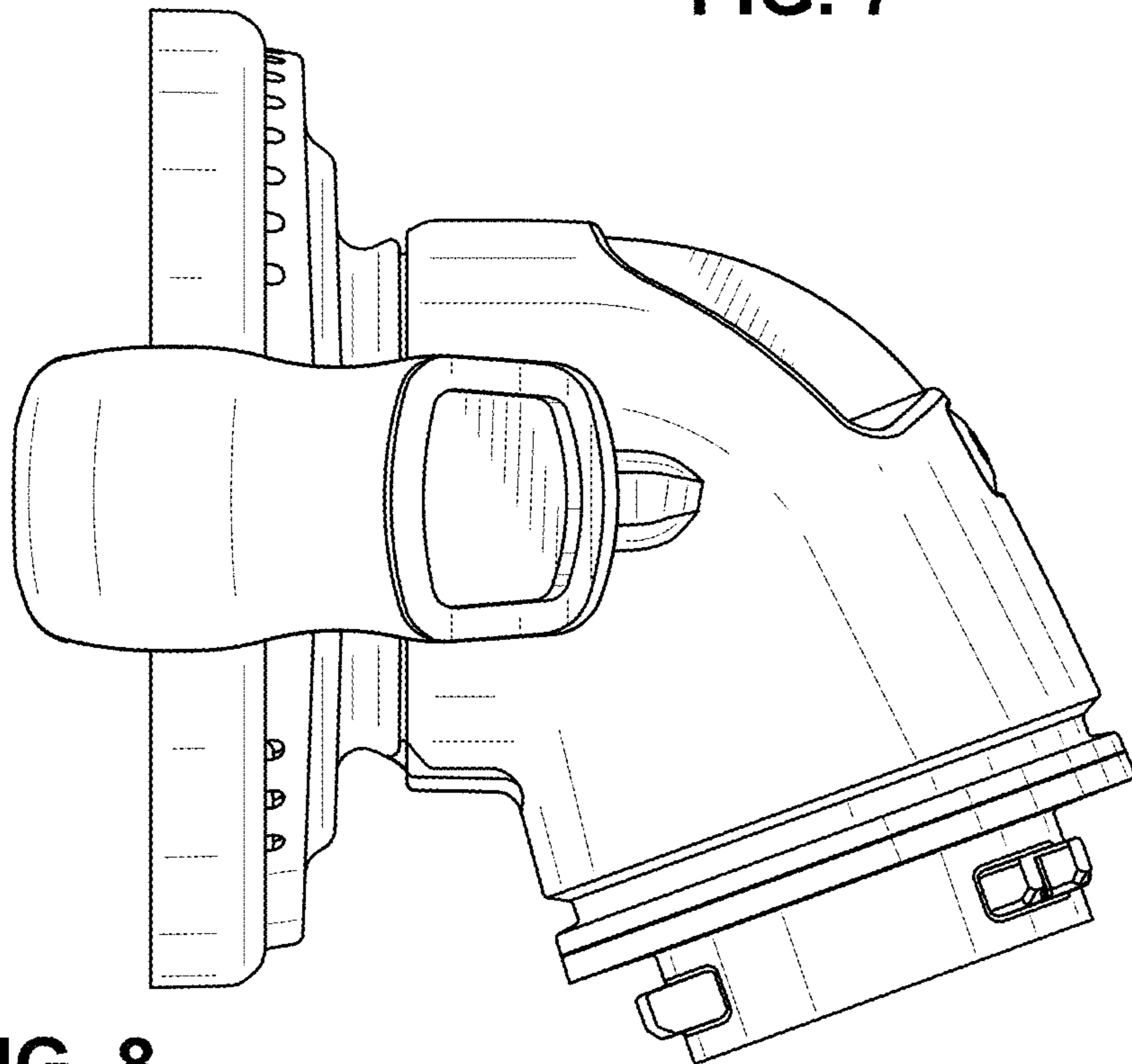


FIG. 8

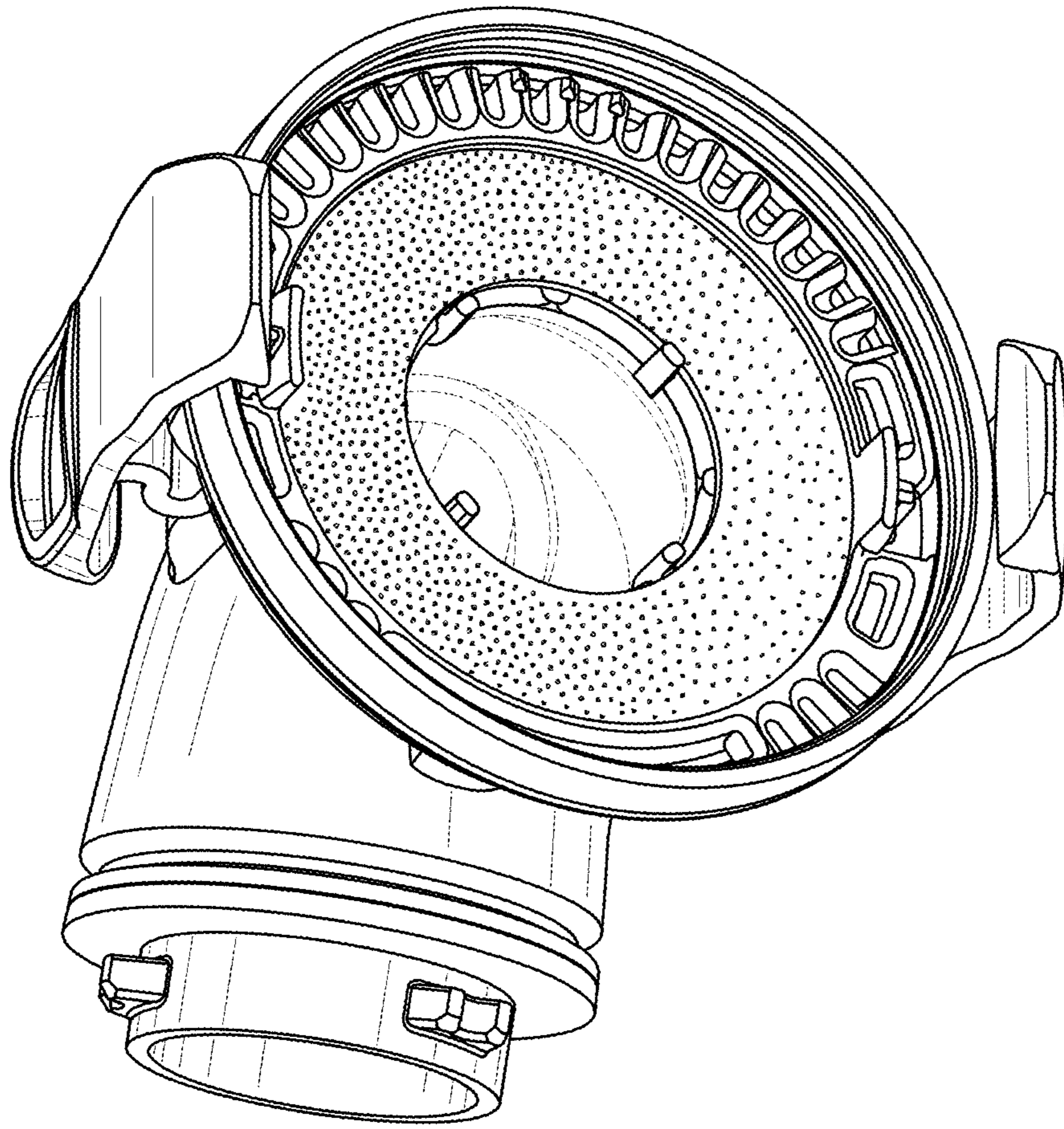


FIG. 9

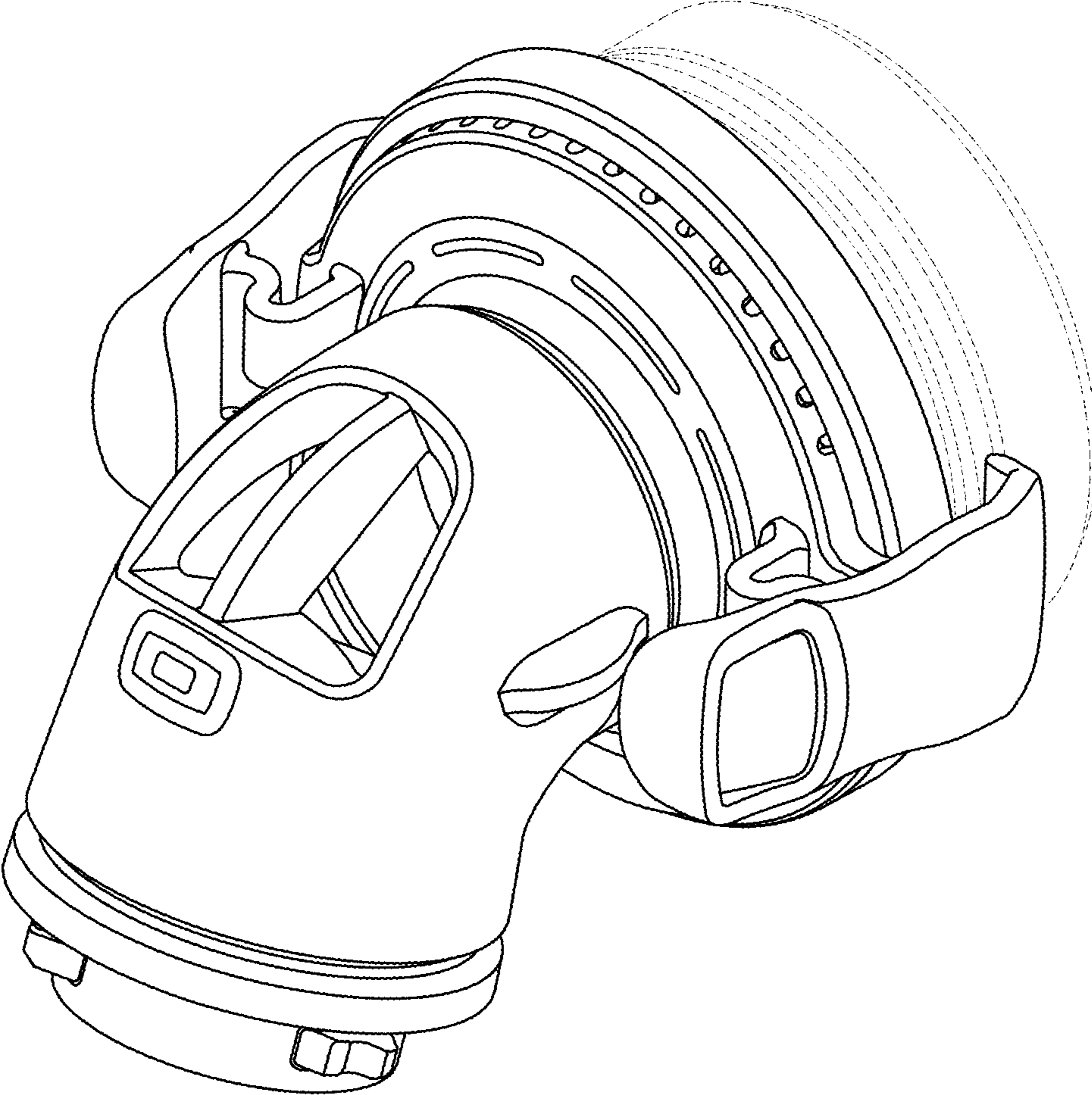


FIG. 10

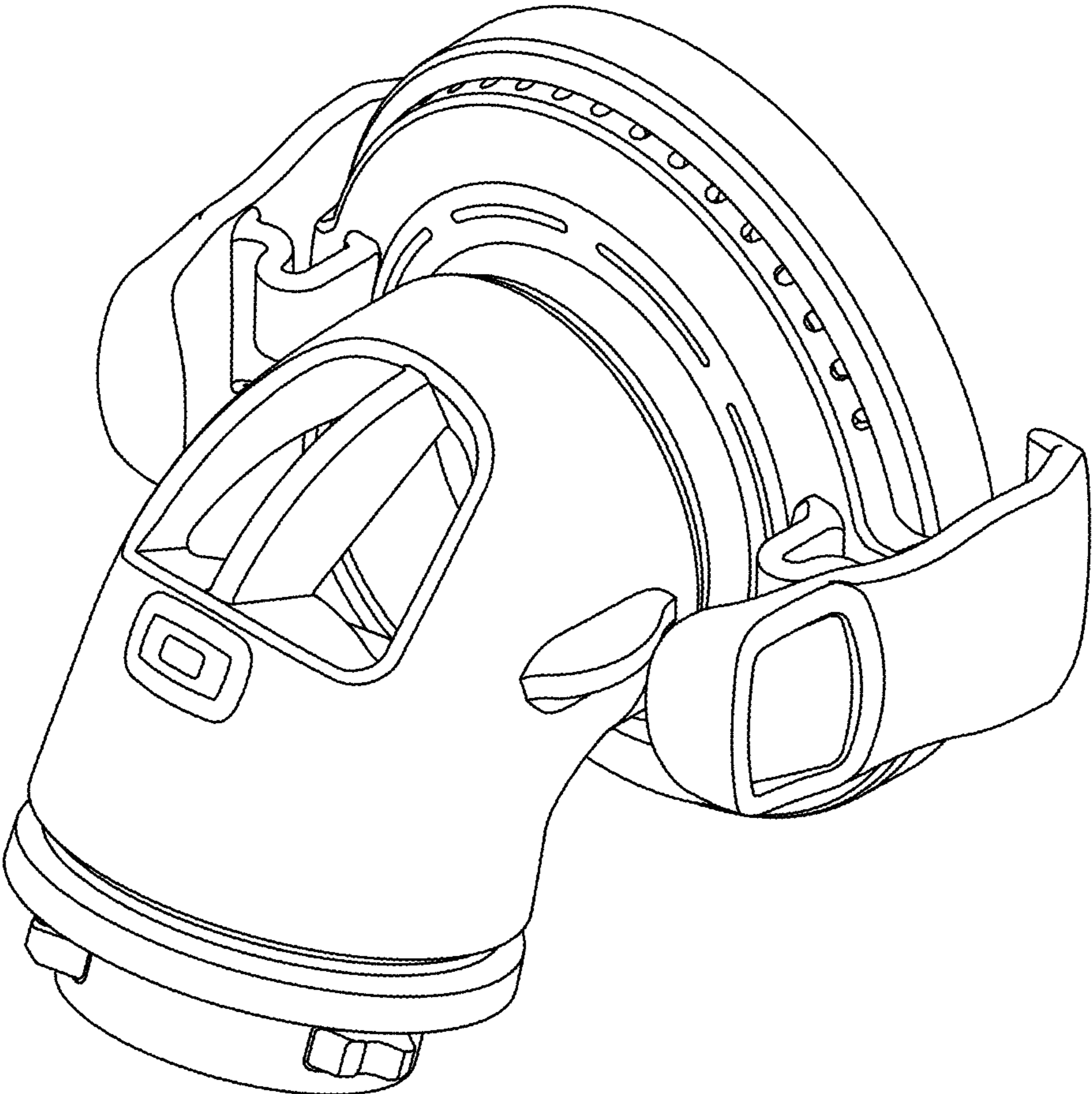


FIG. 11

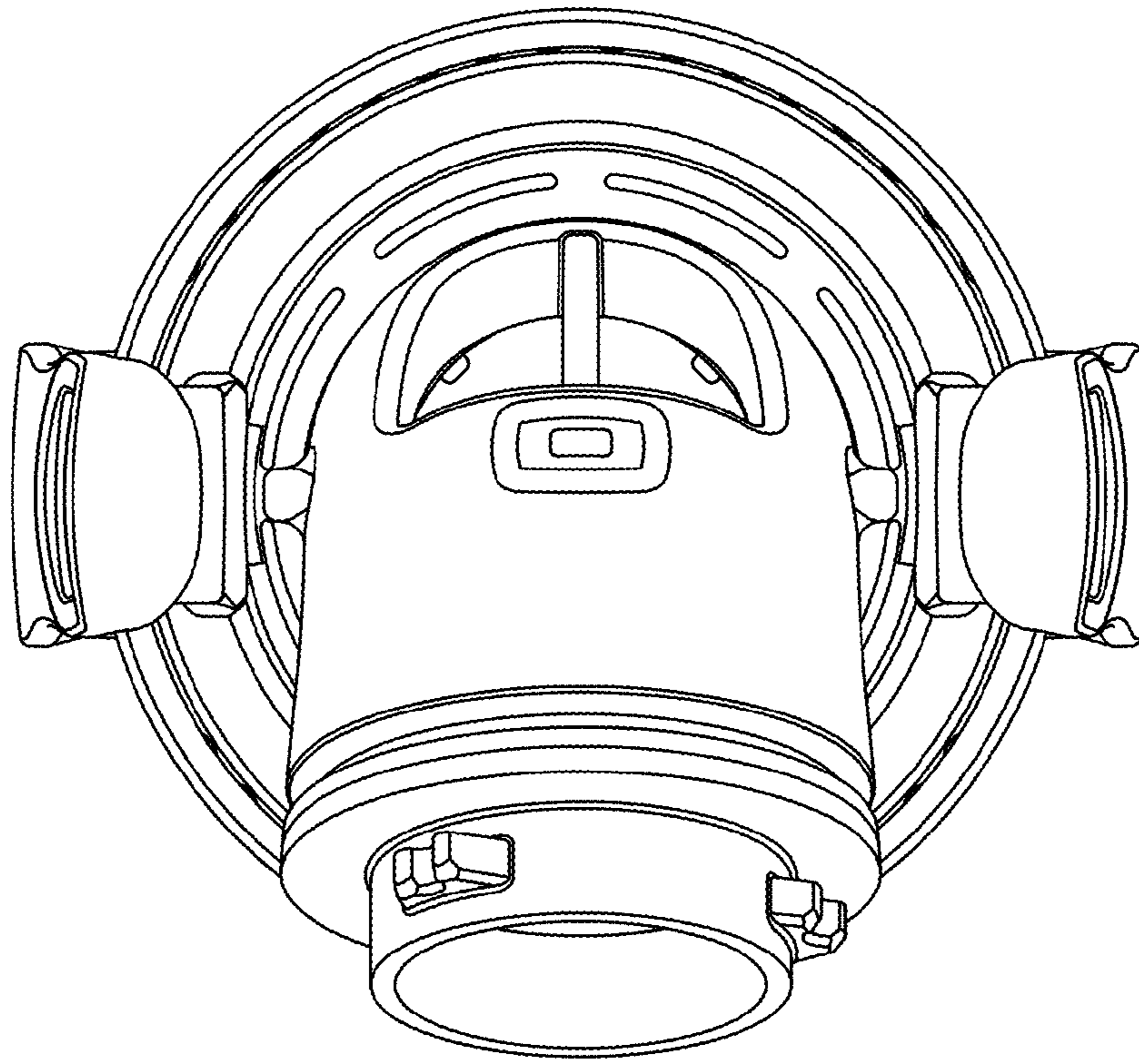


FIG. 12

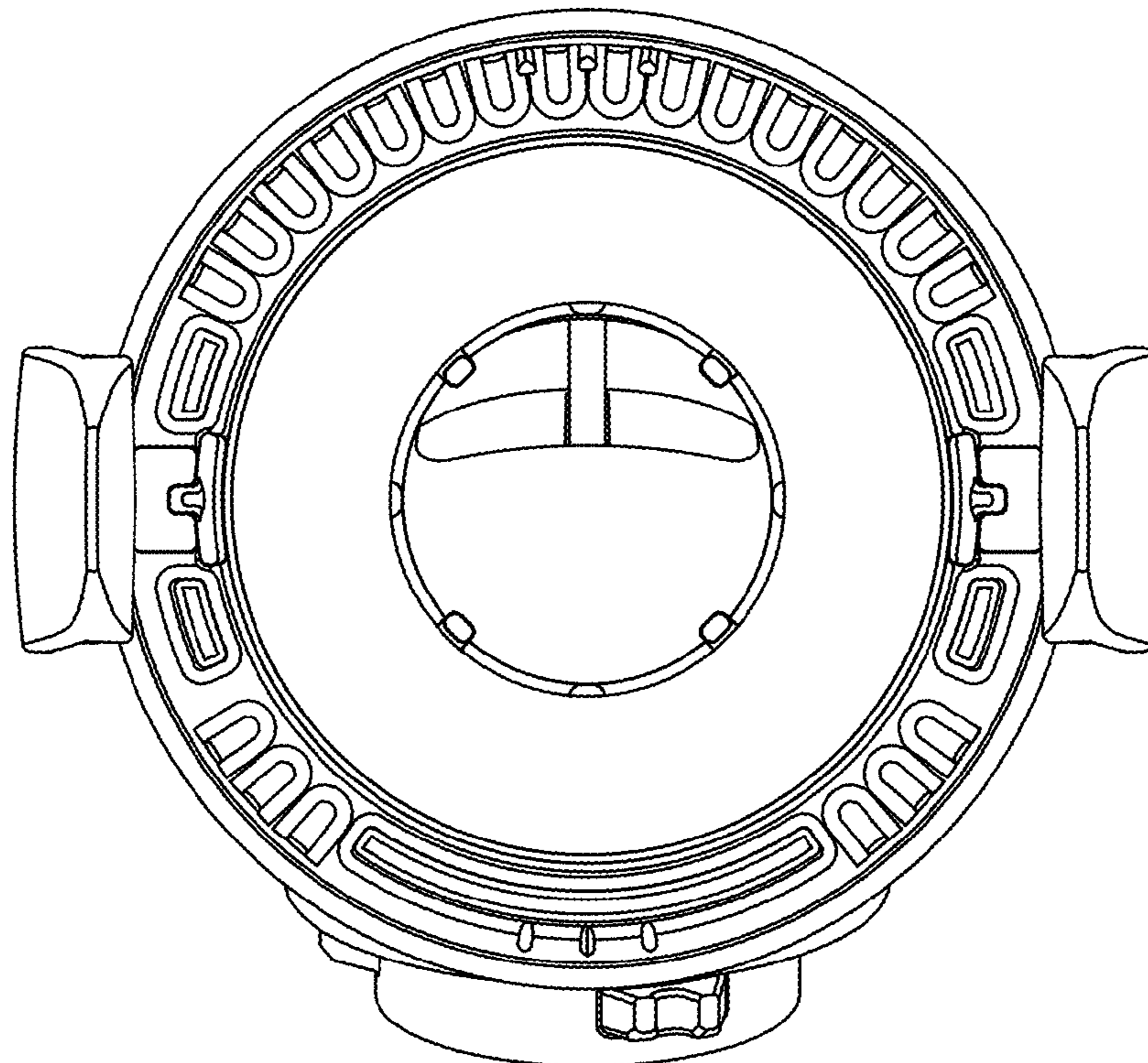


FIG. 13

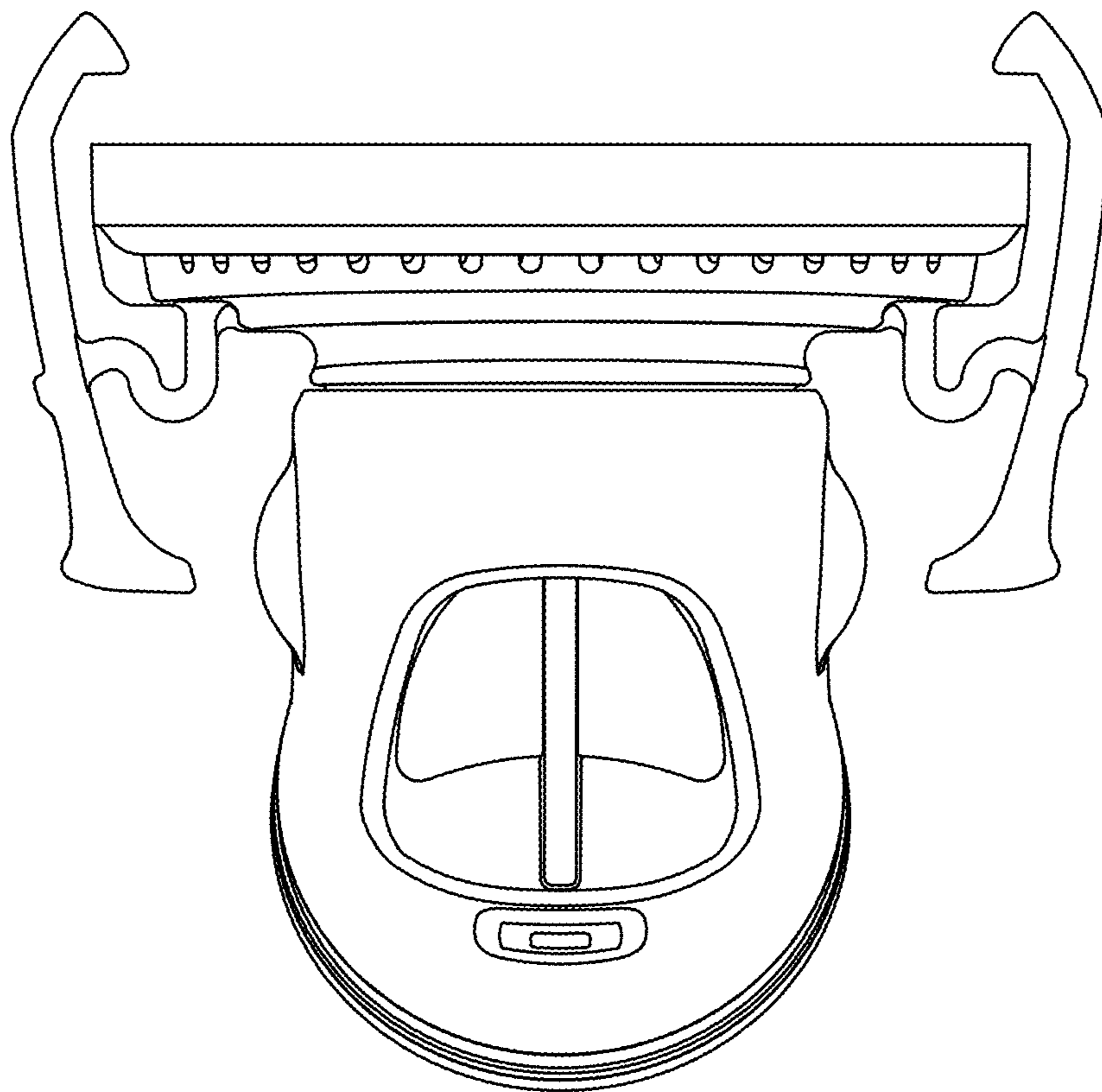


FIG. 14

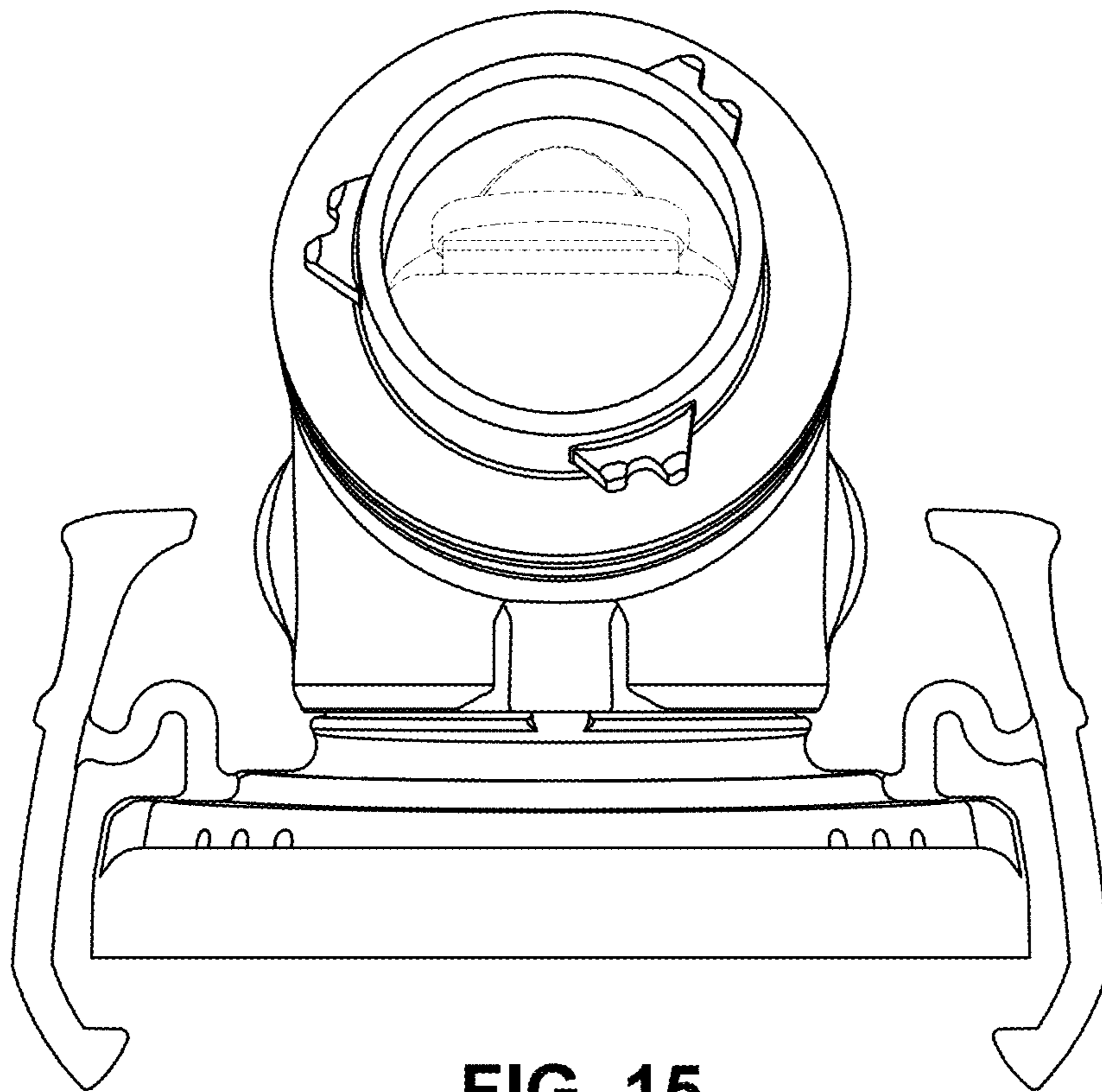


FIG. 15

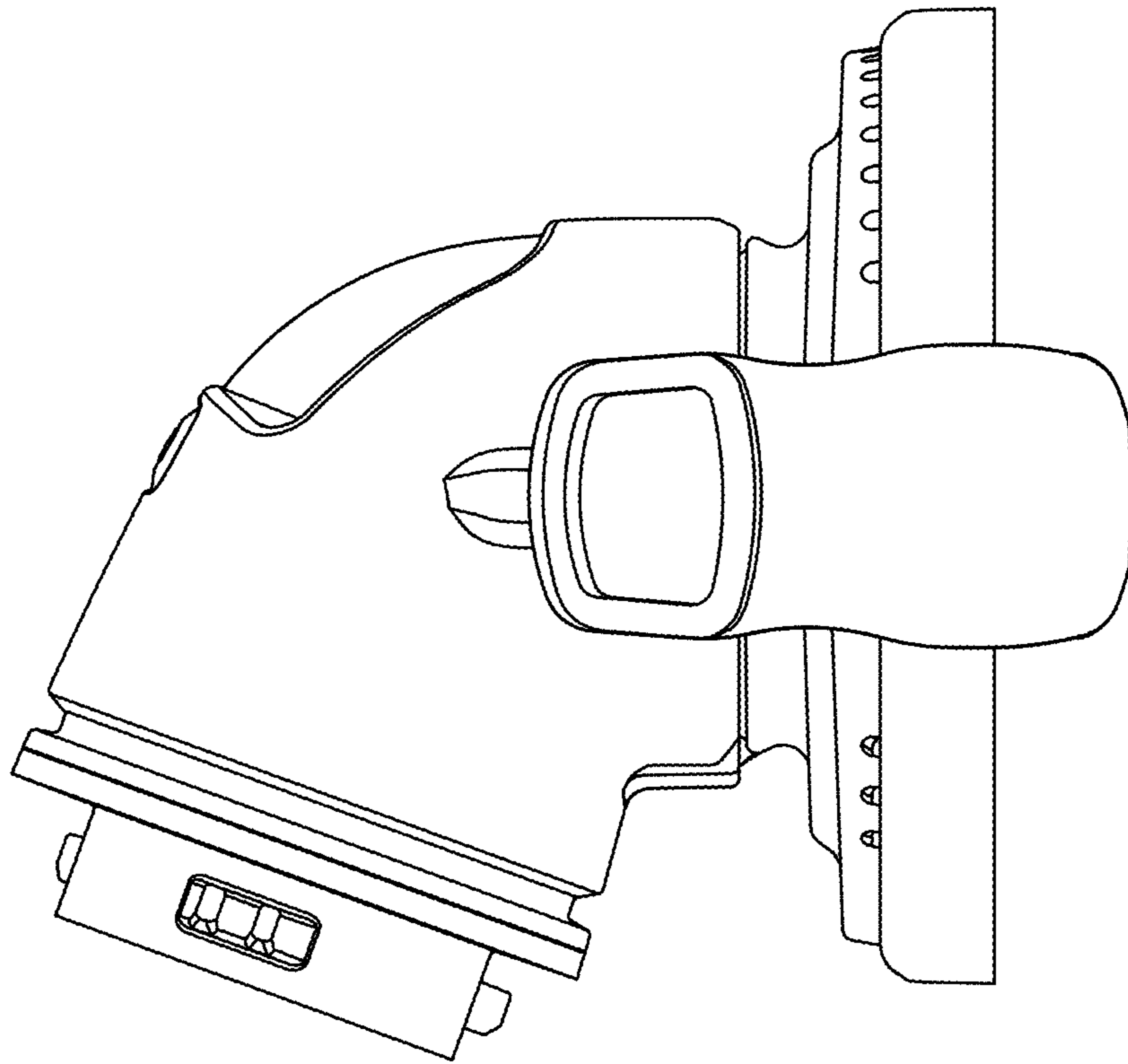


FIG. 16

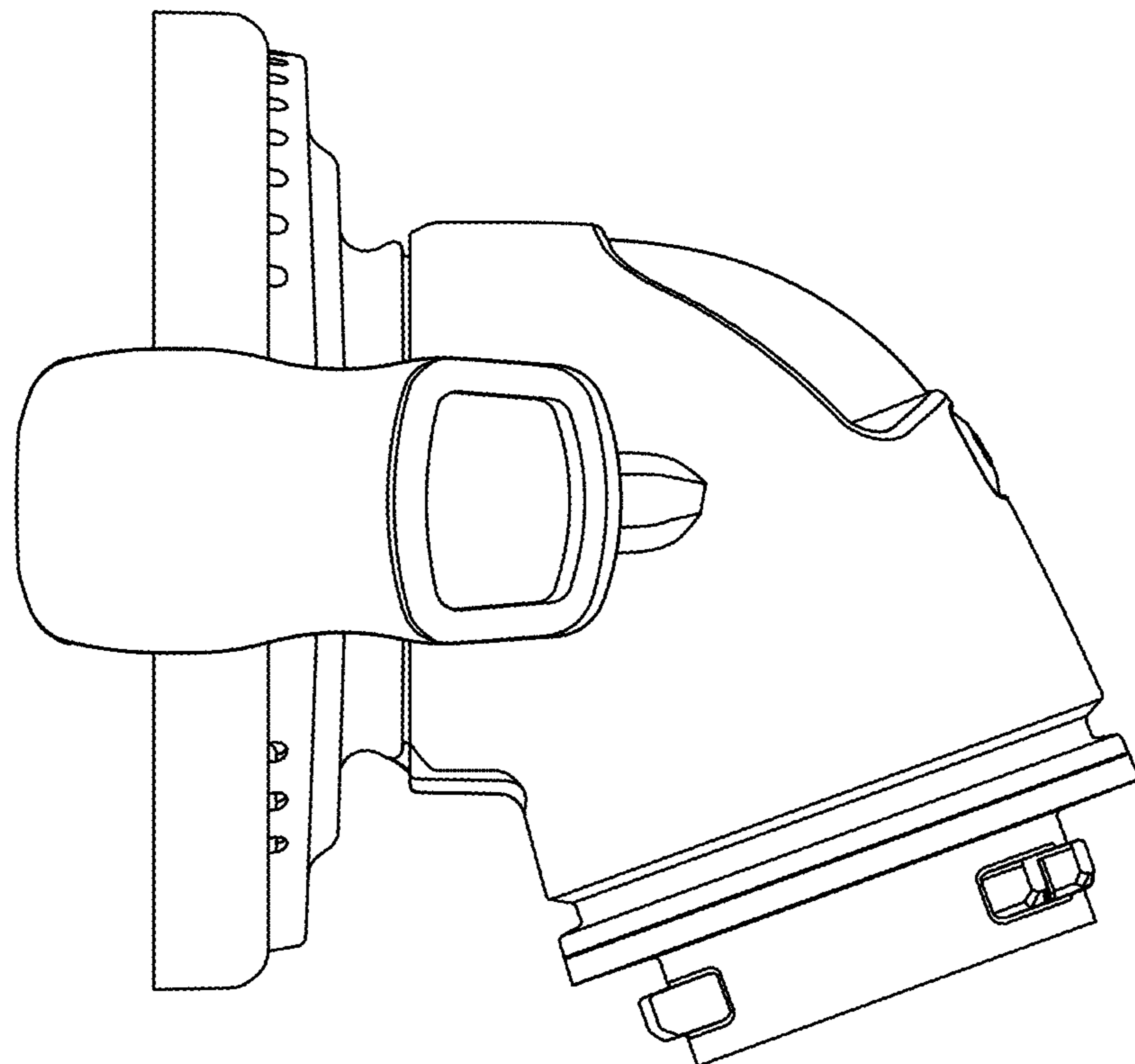


FIG. 17

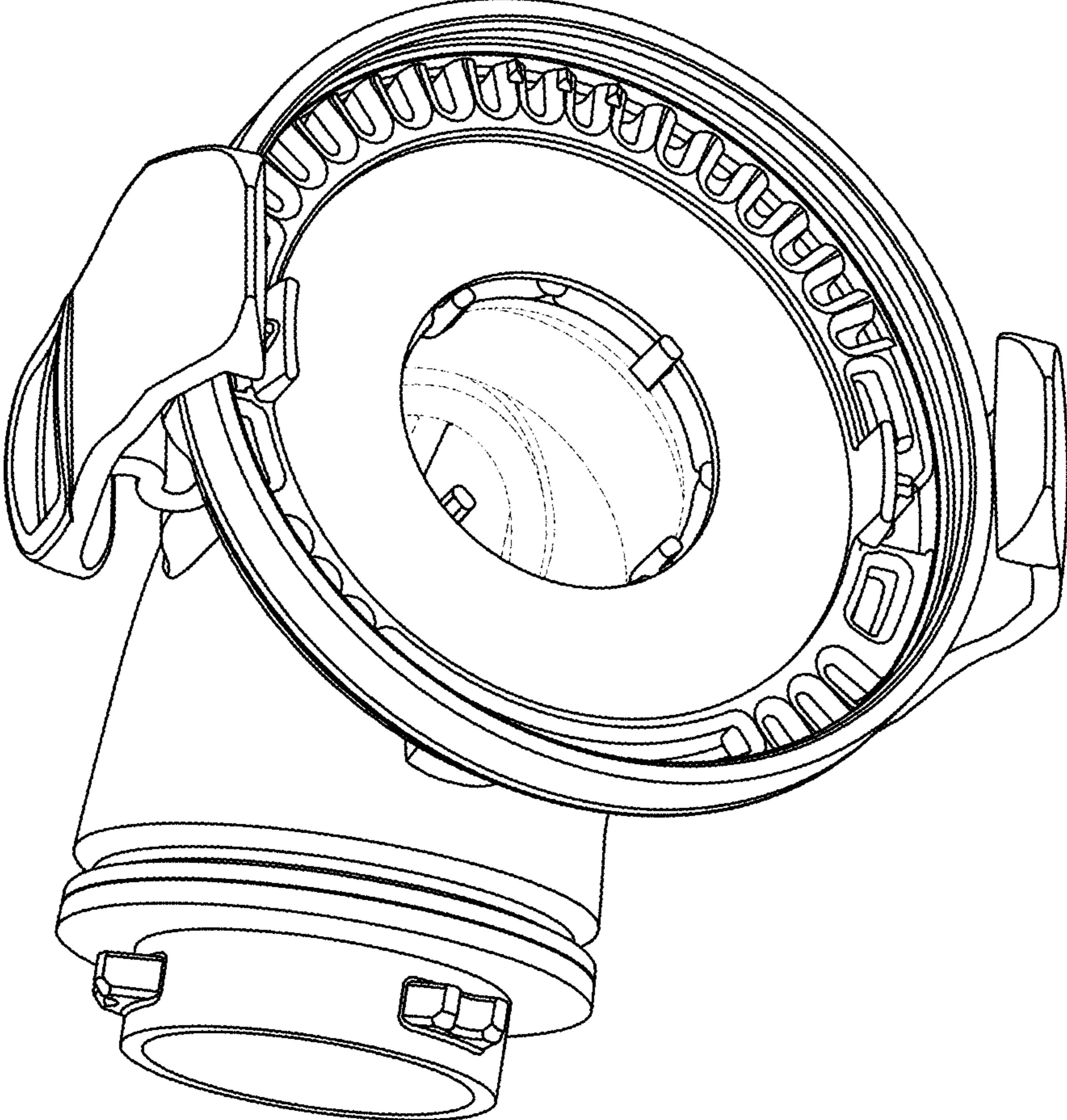


FIG. 18