



US00D956208S

(12) **United States Design Patent**
Lund et al.

(10) **Patent No.:** **US D956,208 S**
(45) **Date of Patent:** **** Jun. 28, 2022**

(54) **FACE MASK**

(71) Applicant: **NIKE, Inc.**, Beaverton, OR (US)
(72) Inventors: **Dallas Lund**, Portland, OR (US); **Kyle Schepke**, Portland, OR (US)

(73) Assignee: **NIKE, Inc.**, Beaverton, OR (US)

(**) Term: **15 Years**

(21) Appl. No.: **29/777,883**

(22) Filed: **Apr. 8, 2021**

(51) **LOC (13) Cl.** **29-02**

(52) **U.S. Cl.**
USPC **D24/110.1**

(58) **Field of Classification Search**
USPC D24/107, 110, 110.1–110.6, 162, 164;
D7/400, 601, 667; D9/683; D13/117;
D15/5; D17/3; D23/209, 266, 355, 356,
D23/364, 365; D29/108; D32/30, 31
CPC A62B 18/02; A62B 18/025; A62B 23/00;
A62B 23/02; A62B 23/0025; A41D
13/11; A41D 13/1107; A41D 13/1115;
A41D 13/1123; A41D 13/113; A41D
13/1138; A41D 13/1146; A41D 13/1161;
A41D 13/1169; A41D 13/1176

See application file for complete search history.

(56) **References Cited**

U.S. PATENT DOCUMENTS

1,866,942 A * 7/1932 Shinn B64D 39/04
138/121
D162,670 S * 3/1951 Magnus D17/3
2,752,916 A 7/1956 Haliczzer
2,798,483 A * 7/1957 Kashima A62B 18/10
128/206.13
2,819,488 A * 1/1958 Gimbel A22C 13/0013
138/121
3,083,877 A * 4/1963 William B65D 1/0292
297/DIG. 8
3,682,371 A * 8/1972 Saika B65D 75/40
138/119

(Continued)

FOREIGN PATENT DOCUMENTS

CN 303742905 * 7/2016
JP D1699369 * 11/2021

(Continued)

OTHER PUBLICATIONS

[Airgami Respirator | 2020], good-design-awards.com, [2020] [online], [site visited Feb. 1, 2022], URL: <https://www.good-designawards.com/award-details.html?award=41892>. (Year: 2020).*

(Continued)

Primary Examiner — Jonathan J Han

Assistant Examiner — Amanda J Berlinski

(74) *Attorney, Agent, or Firm* — Schwabe, Williamson & Wyatt, P.C.

(57) **CLAIM**

We claim the ornamental design for a face mask, as shown and described.

DESCRIPTION

FIG. 1 is a front perspective view of a face mask, showing our new design;

FIG. 2 is a rear perspective view thereof;

FIG. 3 is another rear perspective view thereof;

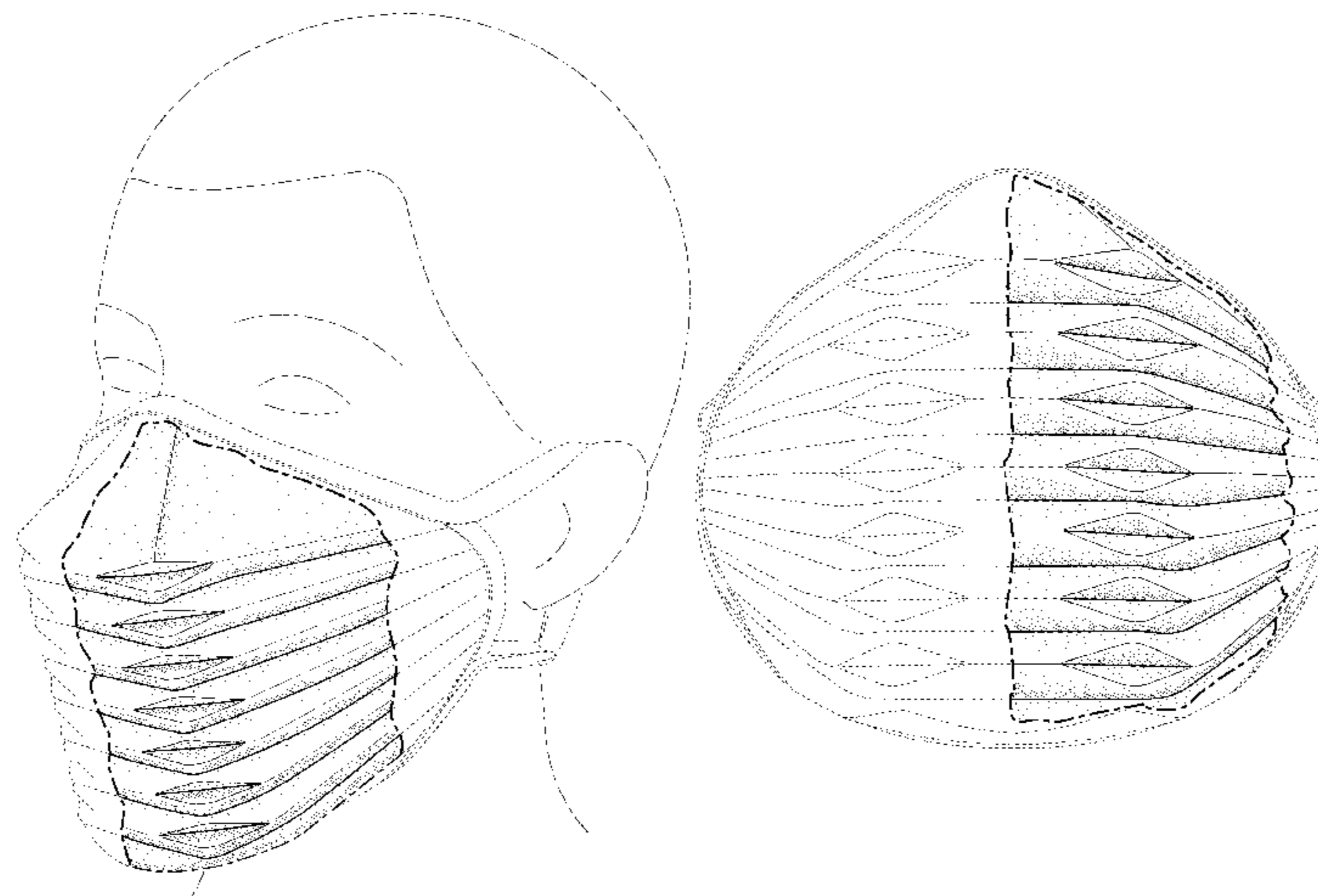
FIG. 4 is a front view thereof;

FIG. 5 is a right side view thereof; and,

FIG. 6 is a top view thereof.

The bold dot-dash broken lines define the bounds of the claimed design and form no part thereof. The remaining broken lines shown in the figures depict portions of the face mask and environmental structure that form no part of the claimed design.

1 Claim, 6 Drawing Sheets



(56)

References Cited

U.S. PATENT DOCUMENTS

4,248,220 A 2/1981 White
 D273,145 S 3/1984 Ponsi
 4,739,755 A * 4/1988 White A61M 16/0611
 128/206.12
 D390,652 S 2/1998 Parker
 D413,968 S * 9/1999 Lester A61M 16/0611
 D23/266
 D458,364 S 6/2002 Curran et al.
 D464,726 S 10/2002 Wolfe
 6,474,336 B1 * 11/2002 Wolfe A41D 13/1115
 128/206.19
 D484,953 S * 1/2004 Renaud F16L 11/111
 D23/266
 D518,570 S * 4/2006 Filgueiras B65D 1/0292
 D24/110
 D519,208 S 4/2006 Wolfe
 D567,365 S 4/2008 Brunell
 D567,937 S 4/2008 Gerson et al.
 D620,104 S 7/2010 Curran et al.
 D677,779 S 3/2013 Turdjian et al.
 D700,317 S 2/2014 Turdjian et al.
 D708,734 S 7/2014 Curran et al.
 D742,604 S * 11/2015 Kim B65D 75/40
 D32/31
 D752,208 S 3/2016 Fant et al.
 D757,249 S 5/2016 Xu
 D776,258 S 1/2017 Mittelstadt
 D787,659 S 5/2017 Mittelstadt
 D787,660 S 5/2017 Mittelstadt
 D790,183 S * 6/2017 VanHook B65D 75/40
 D2/947
 D840,602 S 2/2019 Kreitschmann
 D849,928 S 5/2019 Grover et al.
 D868,960 S 12/2019 Tu et al.
 10,799,728 B2 10/2020 Gordon
 2012/0000473 A1 * 1/2012 Shigematsu A41D 13/113
 128/206.19

FOREIGN PATENT DOCUMENTS

JP 1703507 1/2022
 RU 198762 7/2020

OTHER PUBLICATIONS

#Tokyo2020 [@Tokyo2020], "Is it Bane? No. It's @TeamUSA #Swimming" Twitter.com, Published: [Jul. 24, 2021], Site Visited: [Feb. 1, 2022], URL: <<https://twitter.com/Tokyo2020/status/>

1419144714272481283?s=20&t=duh-NU5dxyedvFKbVUEbZw>. (Year: 2021).*

[Chase Kalisz brings home Team USA's first Tokyo games GOLD medal in 400M individual medley final—after U.S. Failed to win any medals on the opening day for the first time since Munich in 1972], [dailymail.co.uk](https://www.dailymail.co.uk/news/article-9822395/Team-USA-wins-gold-Tokyo-games.html), by Shekhar Bhatia, Posted Jul. 24, 2021 [online], site visited: Feb. 1, 2022, URL: <<https://www.dailymail.co.uk/news/article-9822395/Team-USA-wins-gold-Tokyo-games.html>>. (Year: 2021).*

[ZIMARTY zMask Face Mask], shop.design-milk.com, [2021] [online], Customer Review Oldest Date: Sep. 30, 2021 [online] [site visited Feb. 1, 2022], URL: <https://shop.design-milk.com/products/zmask?variant=37529816727743&gclid=EAlalQobChMlvpuwvXe9QIVkY7ICh2BjQ-6EakYAyABEgJYrvD_BwE>. (Year: 2021).*

[High Quality White Foldable Medical FFP2 face mask], [Alibaba.com](https://www.alibaba.com/product-detail/High-Quality-White-Foldable-Medical-FFP2_1600183944988.html), Date 2022 [online], site visited: [Feb. 1, 2022], URL: <https://www.alibaba.com/product-detail/High-Quality-White-Foldable-Medical-FFP2_1600183944988.html>. (Year: 2022).*

Henry Schein Inc., Molded Face Mask Blue Cone 50/Bx, Accessed Apr. 8, 2021 from <https://www.henryschein.com/us-en/dental/p/infection-control-products/face-masks/molded-face-mask/1008356>; 2 pages.

Under Armour, Sportsmask, Accessed Apr. 8, 2021 from <https://about.underarmour.com/news/2020/05/introducing-ua-sportsmask>; 6 pages.

Honeywell, Dual-Layer Face Cover; Accessed on Aug. 25, 2021 from <https://www.honeywellstore.com/store/products/honeywell-dual-layer-face-cover-light-gray-rws-50107.htm>; 3 pages.

New Era, Ne Blank Black Face Mask; Accessed on Aug. 25, 2021 from <https://hatstoreworld.com/ne-blank-black-face-mask-new-era>; 2 pages.

Oakley, MSK3; Accessed on Aug. 25, 2021 from <https://www.oakley.com/en-us/product/W0000036AC>; 1 page.

Official Brand, Performance Face Mask; Accessed on Aug. 25, 2021 from <https://theofficialbrand.com/products/performance-face-mask-navy>; 3 pages.

Outdoor Research, Adrenaline Sports Face Cover Kit; Accessed on Aug. 25, 2021 from <https://www.outdoorresearch.com/us/adrenaline-sports-face-mask-kit-285932>; 2 pages.

Perfect Mask, High Performance Face Mask; Accessed on Aug. 25, 2021 from <https://wearperfectmask.com/perfect-mask-high-performance-face-mask>; 3 pages.

The Digital Man, Advanced Tech Sport Mask; Accessed on Aug. 25, 2021 from <https://www.thedigitalman.com/products/3-sets-of-advanced-tech-sport-mask>; 3 pages.

Zensah, Performance Face Mask; Accessed on Aug. 25, 2021 from <https://www.zensah.com/products/performance-face-mask>; 3 pages.

* cited by examiner

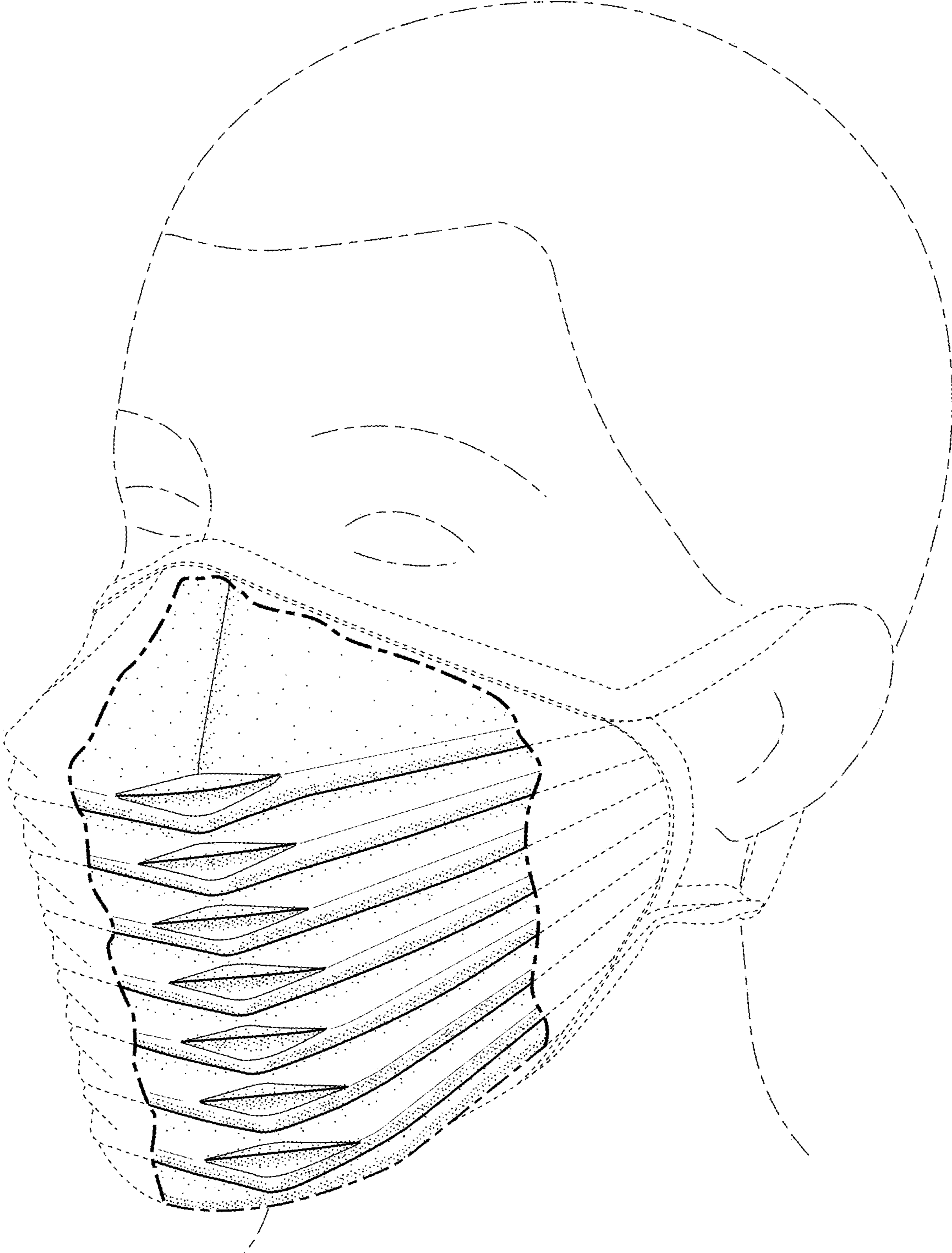


FIG. 1

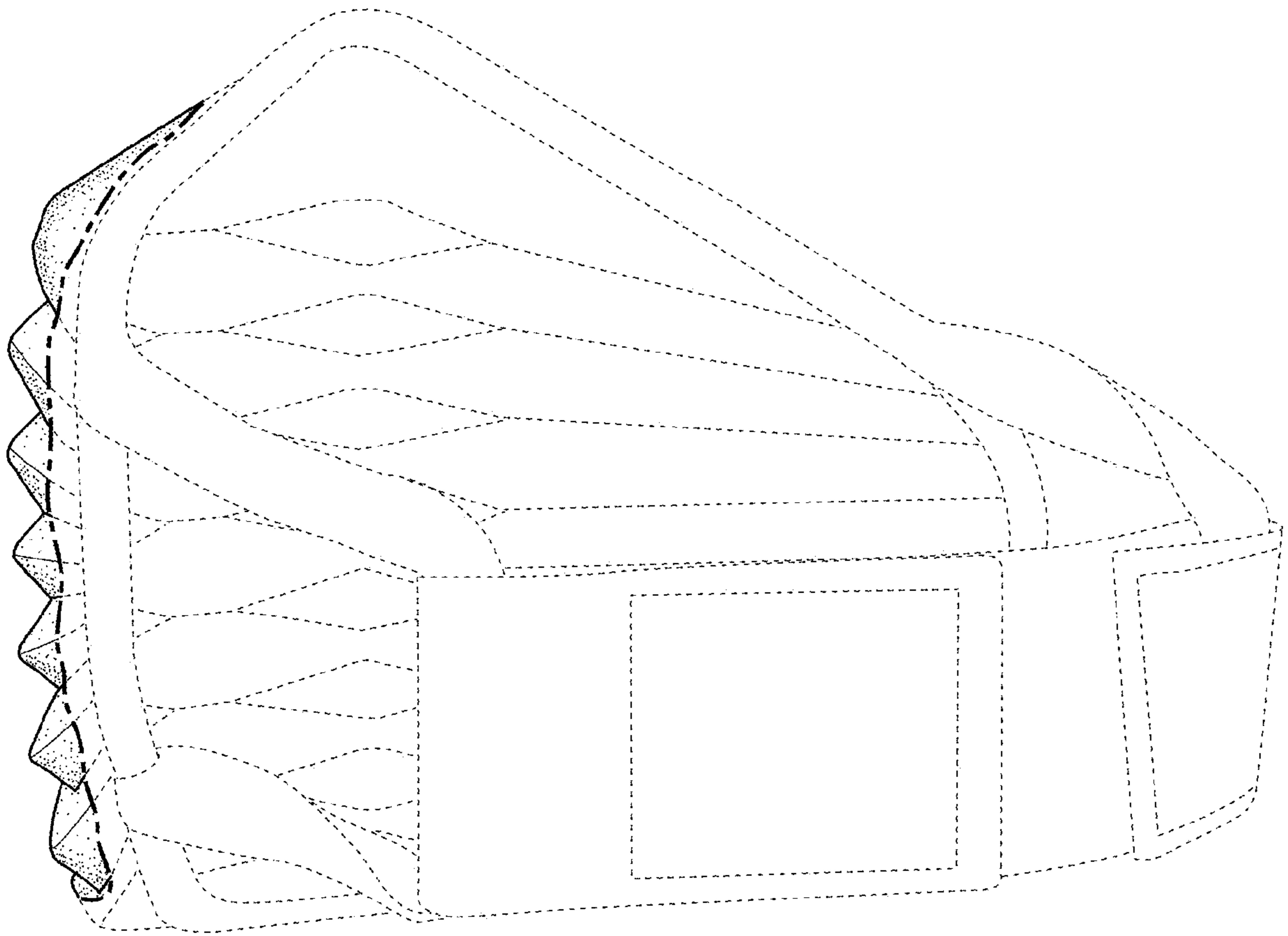


FIG. 2

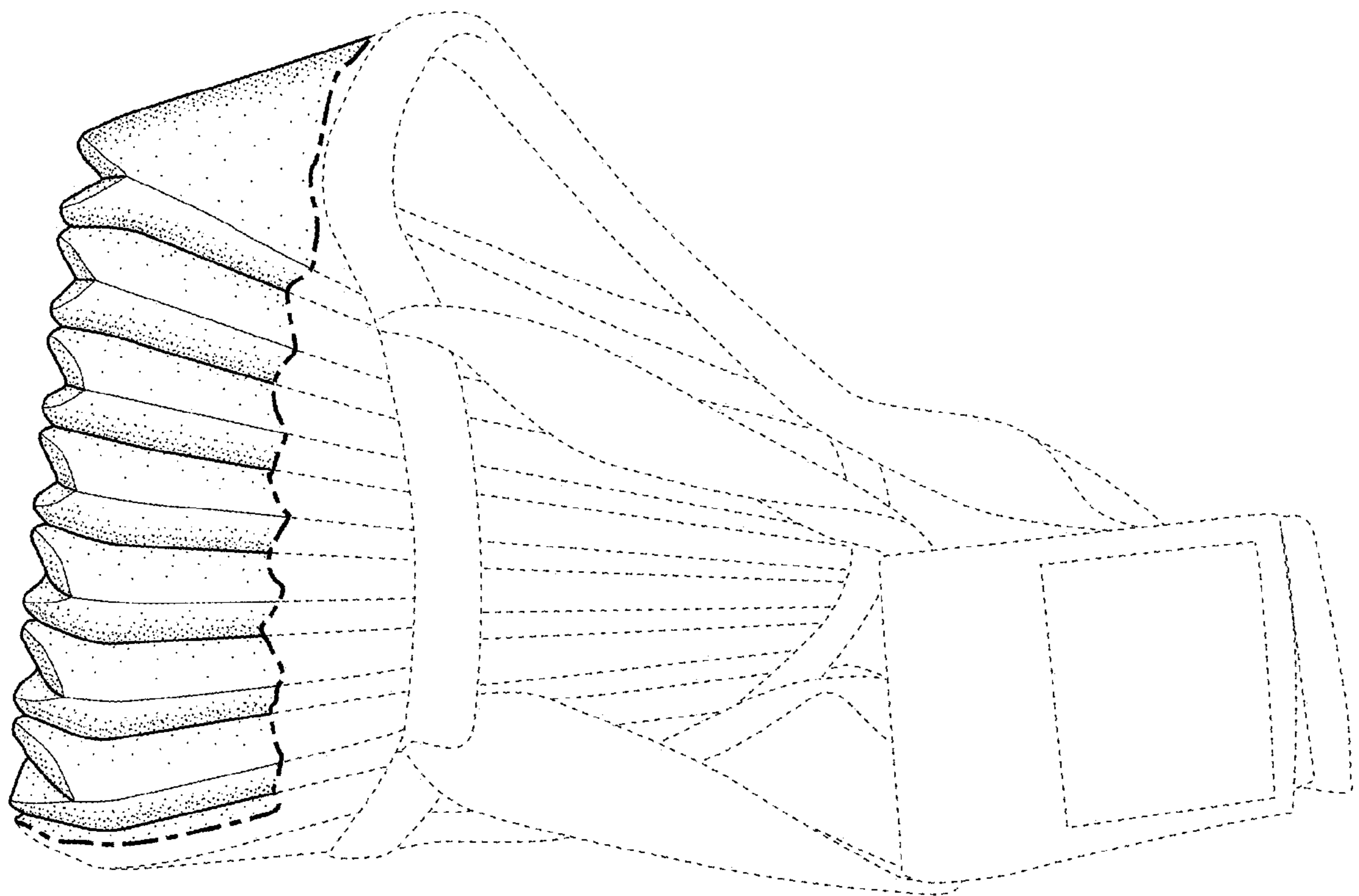


FIG. 3

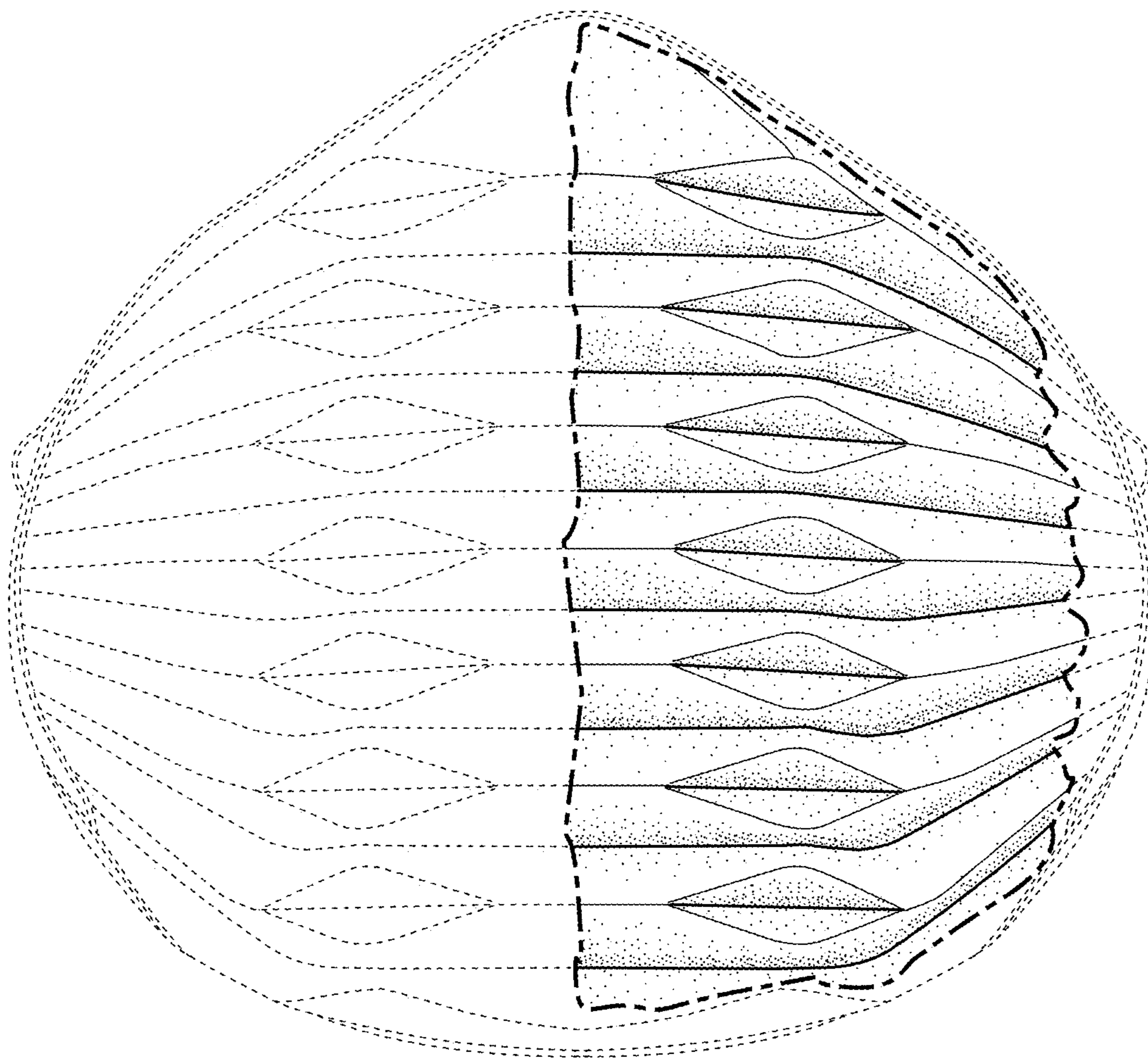


FIG. 4

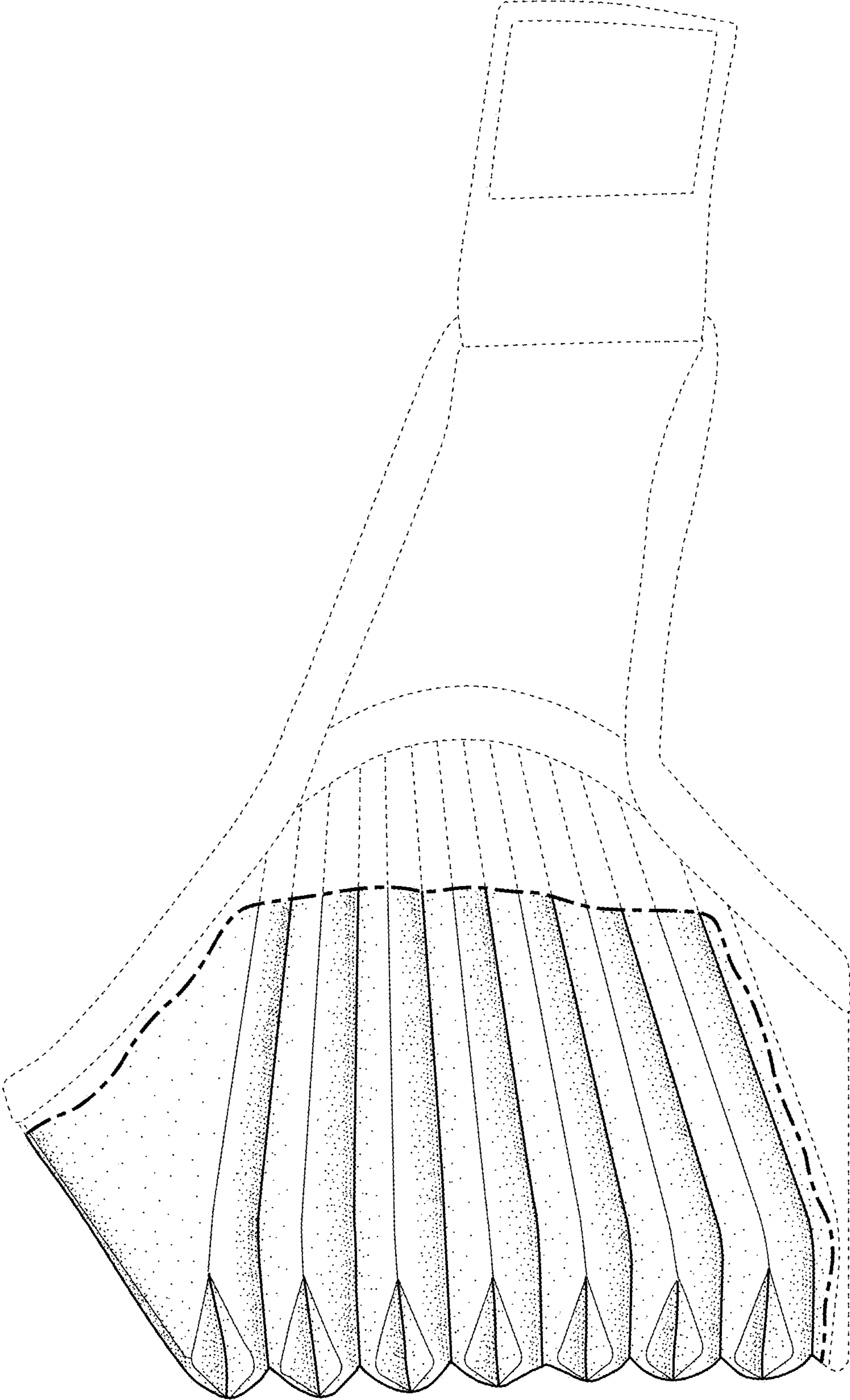


FIG. 5

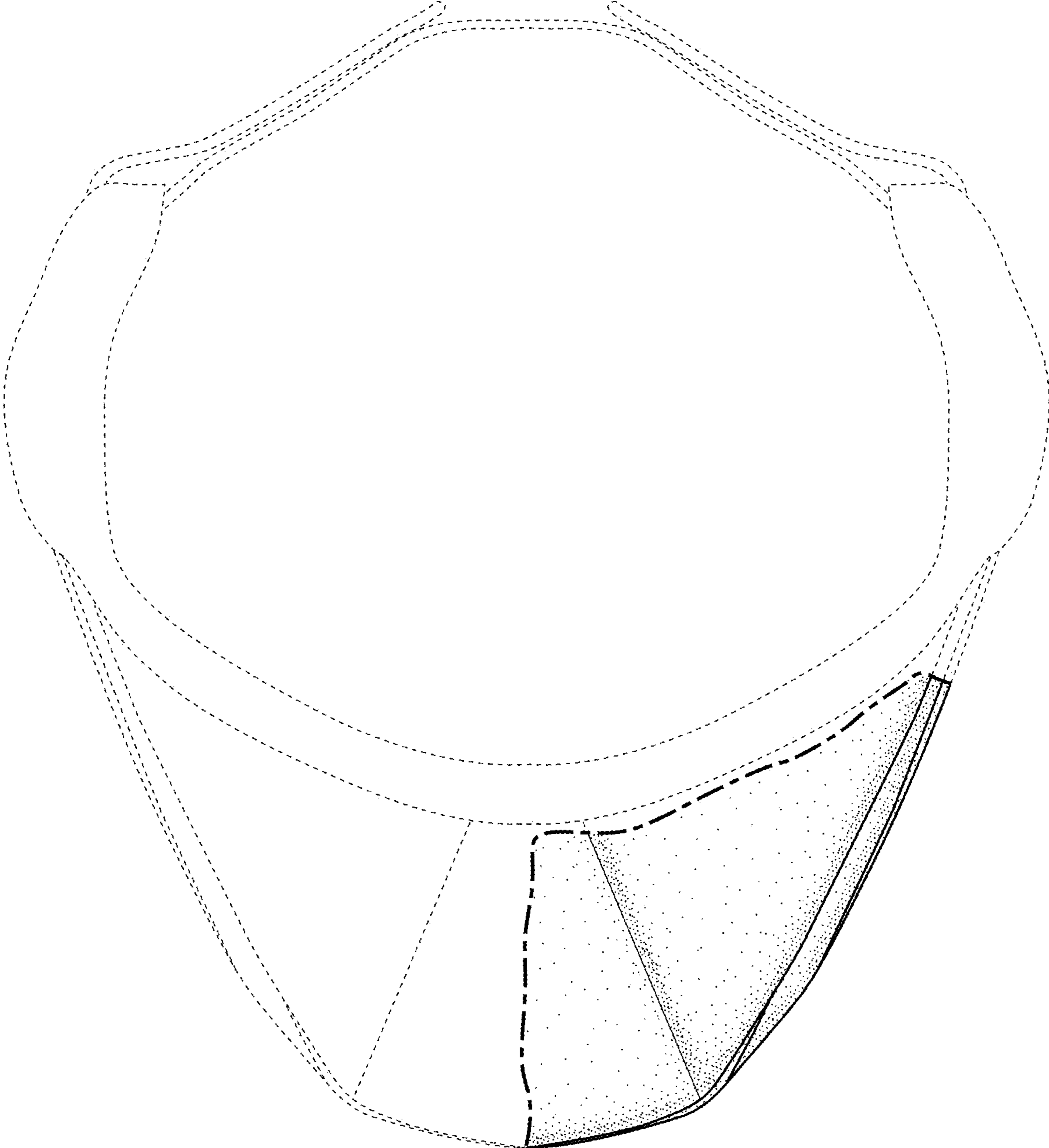


FIG. 6