



US00D956206S

(12) **United States Design Patent** (10) **Patent No.:** **US D956,206 S**
Eves et al. (45) **Date of Patent:** **** Jun. 28, 2022**

(54) **COMBINED CUSHION AND FRAME MODULE FOR PATIENT INTERFACE**

(71) Applicant: **ResMed Pty Ltd**, Bella Vista (AU)

(72) Inventors: **Matthew Eves**, Sydney (AU); **Lemmy Nga**, Sydney (AU); **Gerard Michael Rummery**, Woodford (AU); **Rupert Christian Scheiner**, Sydney (AU)

(73) Assignee: **ResMed Pty Ltd**, Bella Vista (AU)

(**) Term: **15 Years**

(21) Appl. No.: **29/733,624**

(22) Filed: **May 5, 2020**

Related U.S. Application Data

(62) Division of application No. 29/581,907, filed on Oct. 24, 2016, now Pat. No. Des. 884,151.

(51) **LOC (13) Cl.** **29-02**

(52) **U.S. Cl.**
USPC **D24/110.1**

(58) **Field of Classification Search**
USPC D24/110–110.6, 127, 129; D29/110
CPC A61M 16/0616; A61M 16/0633; A61M 16/06; A61M 16/0666; A61M 16/0683; A61M 16/0605; A61M 16/0622; A61M 16/0644; A61M 16/0875; A61M 16/0816;
(Continued)

(56) **References Cited**

U.S. PATENT DOCUMENTS

D485,905 S * 1/2004 Moore D24/110.1
D659,237 S * 5/2012 Lubke D24/110.1
D692,554 S * 10/2013 Siew D24/110.1
(Continued)

OTHER PUBLICATIONS

Eves et al., Design U.S. Appl. No. 29/581,907, filed Oct. 24, 2016, for “Patient Interface And/Or Components Thereof,” (parent application).

Primary Examiner — Sheryl Lane

Assistant Examiner — Aula Soroush

(74) *Attorney, Agent, or Firm* — Nixon & Vanderhye P.C.

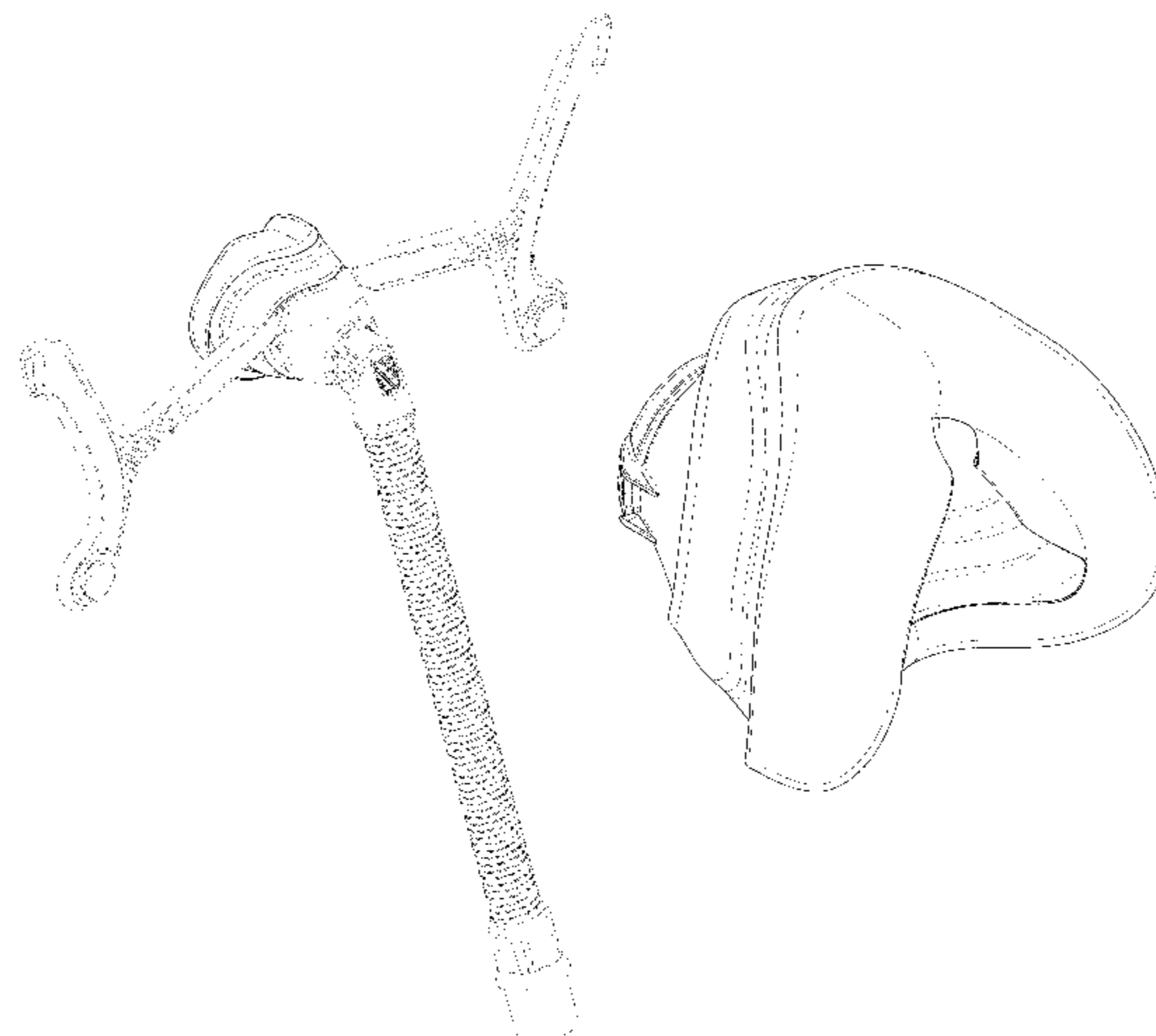
(57) **CLAIM**

The ornamental design for a combined cushion and frame module for patient interface, as shown and described.

DESCRIPTION

FIG. 1 is a front perspective view of a combined cushion and frame module for patient interface showing a first embodiment of our new design;
FIG. 2 is an enlarged front perspective view of the combined cushion and frame module in isolation;
FIG. 3 is a front view thereof;
FIG. 4 is a rear view thereof;
FIG. 5 is a top view thereof;
FIG. 6 is a bottom view thereof;
FIG. 7 is a left side view thereof;
FIG. 8 is a right side view thereof;
FIG. 9 is a rear perspective view thereof;
FIG. 10 is a front perspective view of a combined cushion and frame module for patient interface showing a second embodiment of our new design;
FIG. 11 is an enlarged front perspective view of the combined cushion and frame module in isolation;
FIG. 12 is a front view thereof;
FIG. 13 is a rear view thereof;
FIG. 14 is a top view thereof;
FIG. 15 is a bottom view thereof;
FIG. 16 is a left side view thereof;
FIG. 17 is a right side view thereof; and,
FIG. 18 is a rear perspective view thereof.
The broken lines in the drawings depict portions of the combined cushion and frame module for patient interface that form no part of the claimed design.

1 Claim, 18 Drawing Sheets



(58) **Field of Classification Search**

CPC A61M 16/08; B63C 11/205; B63C 11/16;
B63C 11/186; B63C 11/12

See application file for complete search history.

(56) **References Cited**

U.S. PATENT DOCUMENTS

D737,953 S * 9/2015 Wells D24/110
D770,036 S * 10/2016 Walls D24/110.4
D884,151 S 5/2020 Eves et al.
2010/0313891 A1* 12/2010 Veliss A61M 16/06
128/206.26
2011/0146685 A1* 6/2011 Allan A61M 16/06
128/205.25
2012/0067349 A1* 3/2012 Barlow A61M 16/06
128/205.25
2012/0090622 A1* 4/2012 Chang A61M 16/0666
128/207.18
2014/0000614 A1* 1/2014 Chang A61M 16/0666
128/205.25
2014/0283843 A1* 9/2014 Eves A61M 11/00
128/206.24
2015/0151071 A1* 6/2015 Von Moger A61M 39/1055
128/202.27
2016/0051784 A1* 2/2016 Eury A61M 16/0666
128/207.18
2016/0074614 A1* 3/2016 Huddart A61M 16/0683
128/204.18
2016/0082217 A1* 3/2016 McLaren A61M 16/0666
128/207.11
2016/0151596 A1* 6/2016 Slight A61M 16/0622
128/207.18
2016/0287830 A1* 10/2016 Walls A61M 16/0683

* cited by examiner

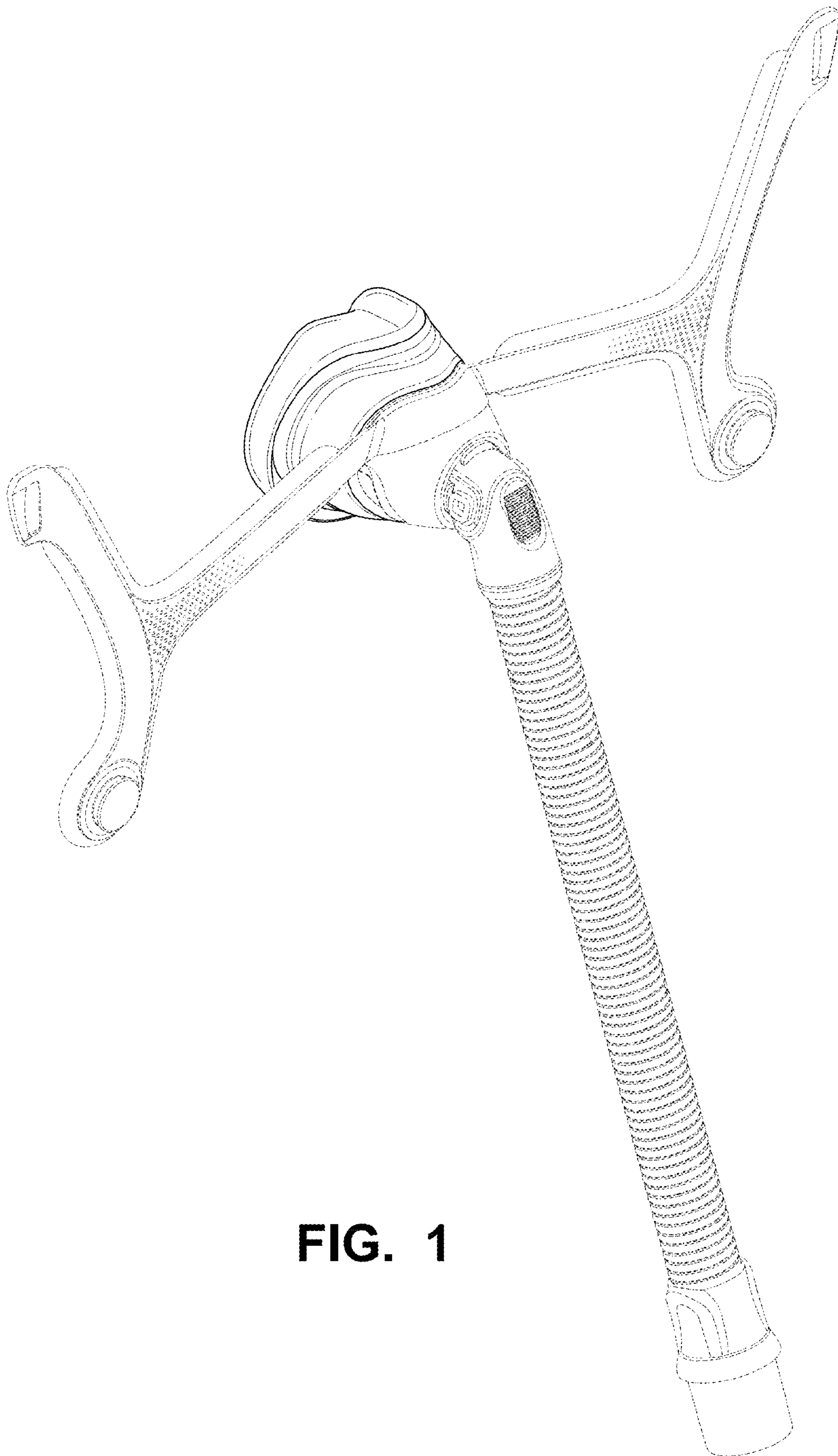


FIG. 1

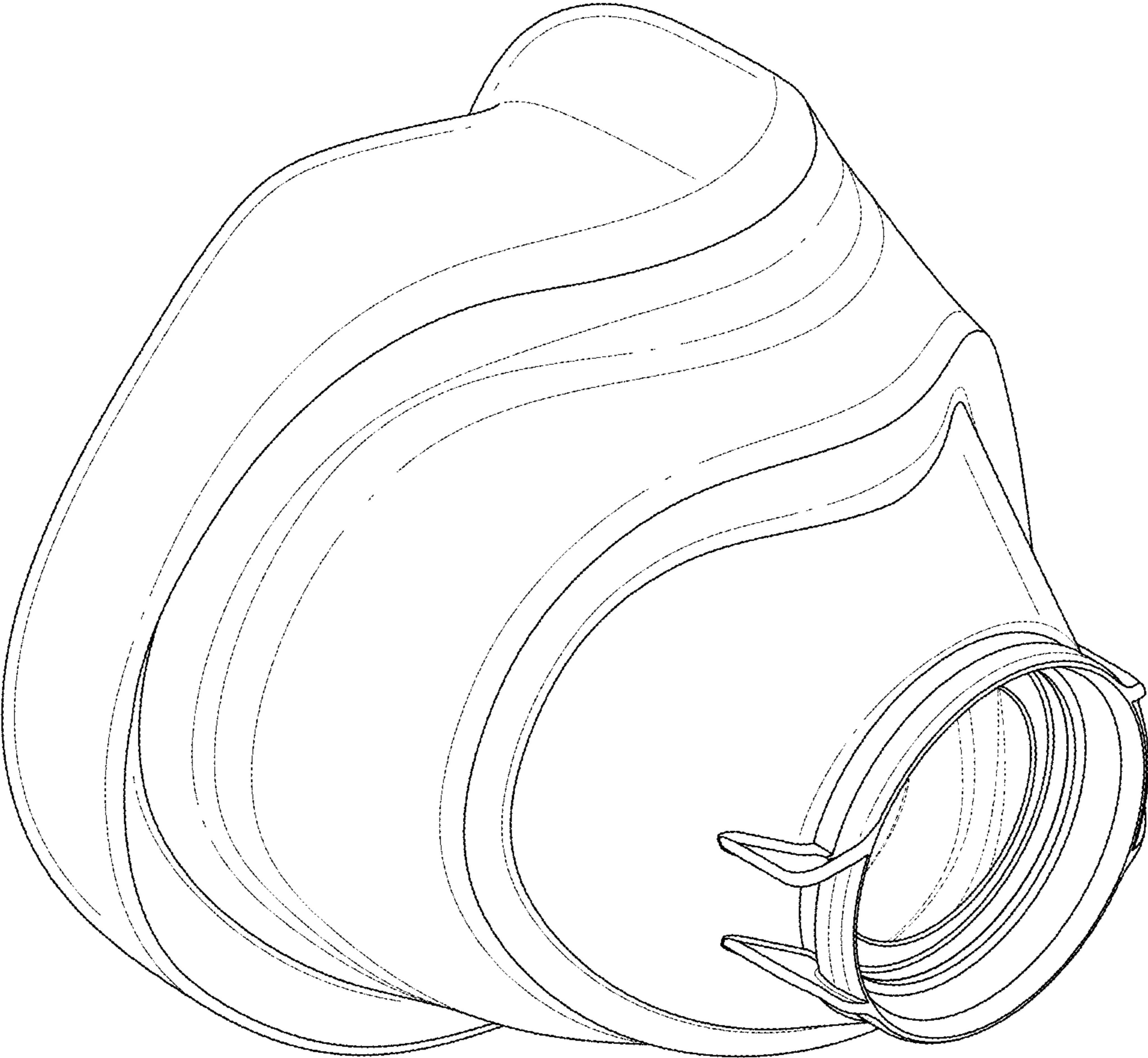


FIG. 2

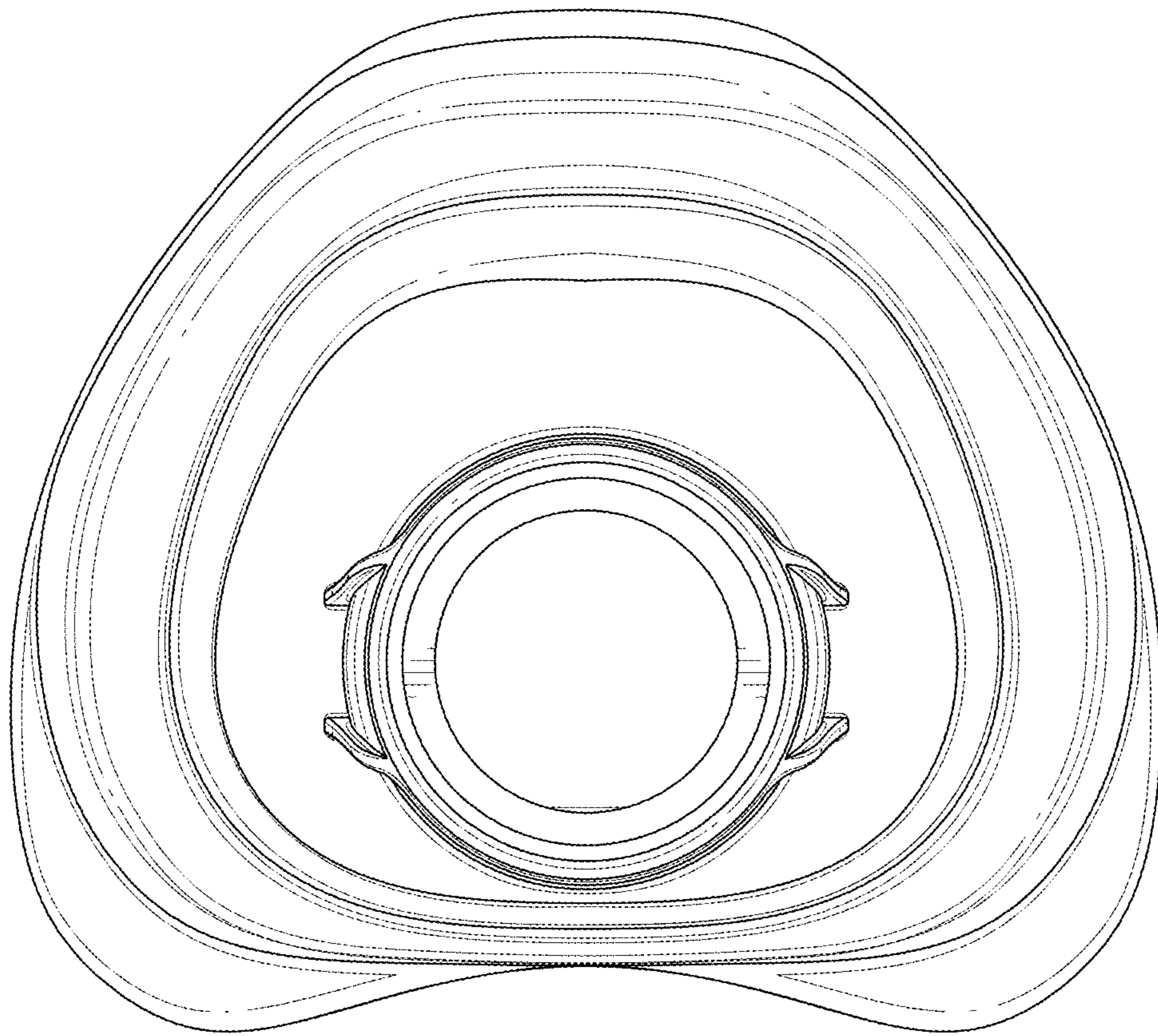


FIG. 3

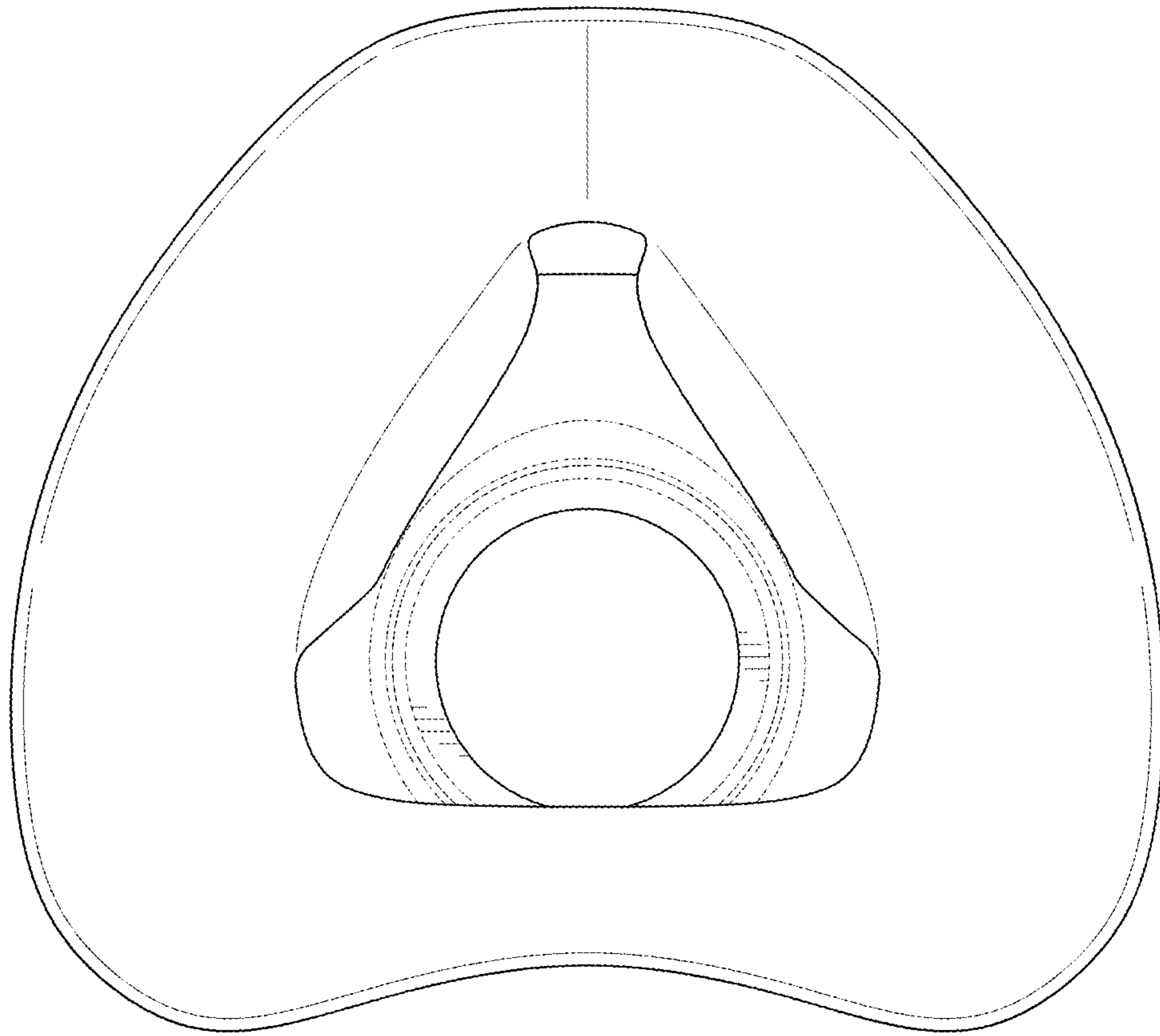


FIG. 4

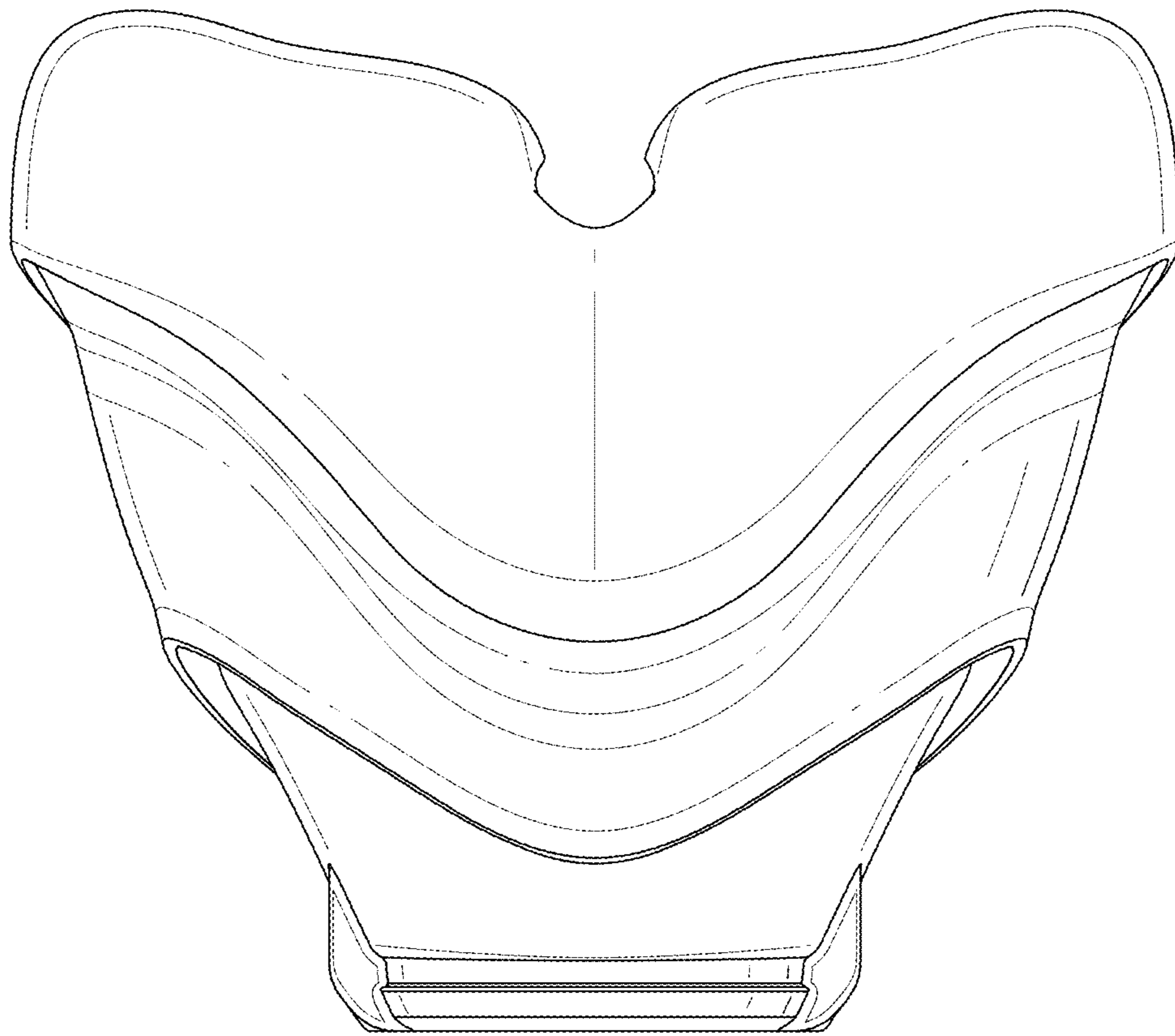


FIG. 5

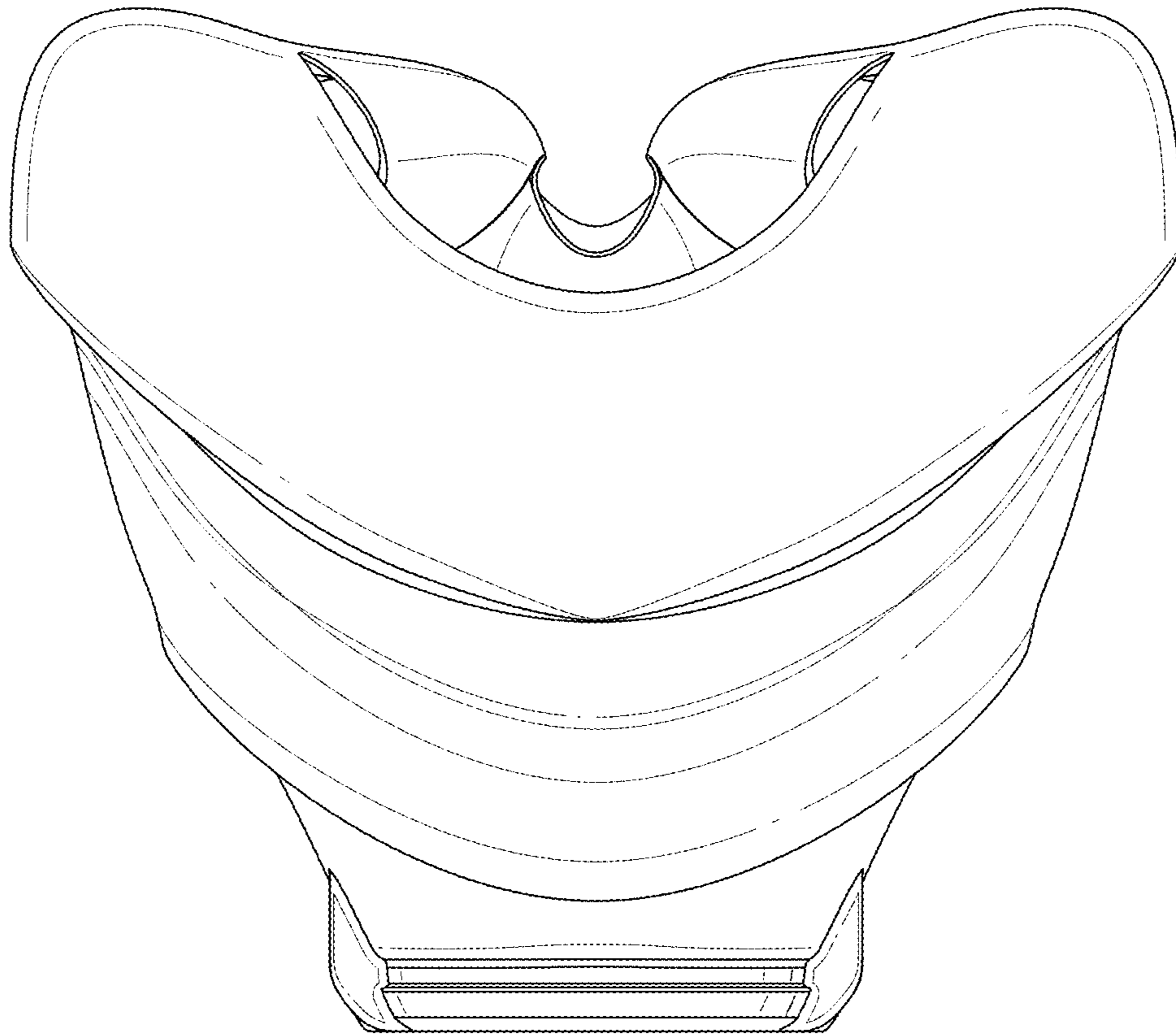


FIG. 6

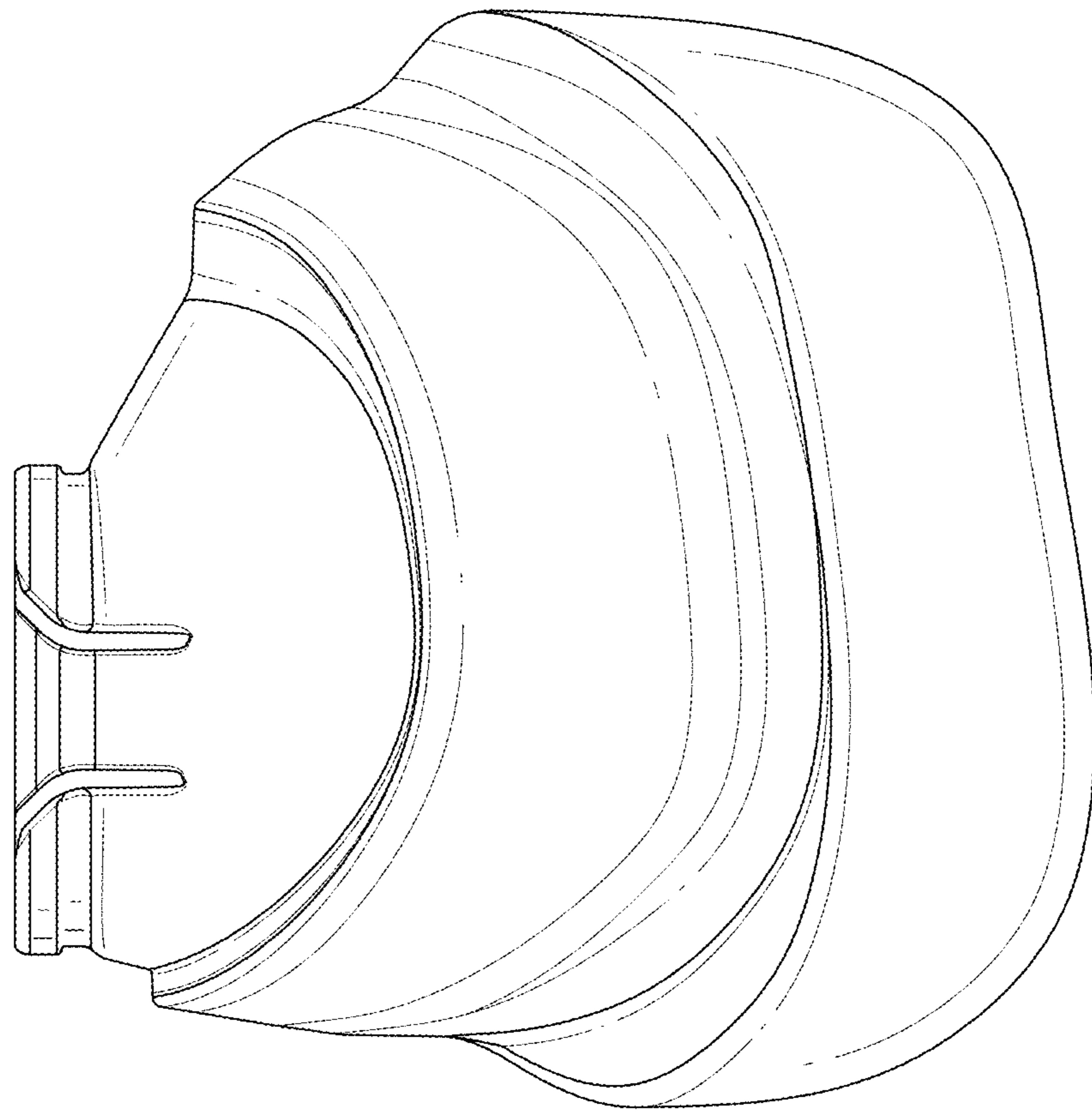


FIG. 7

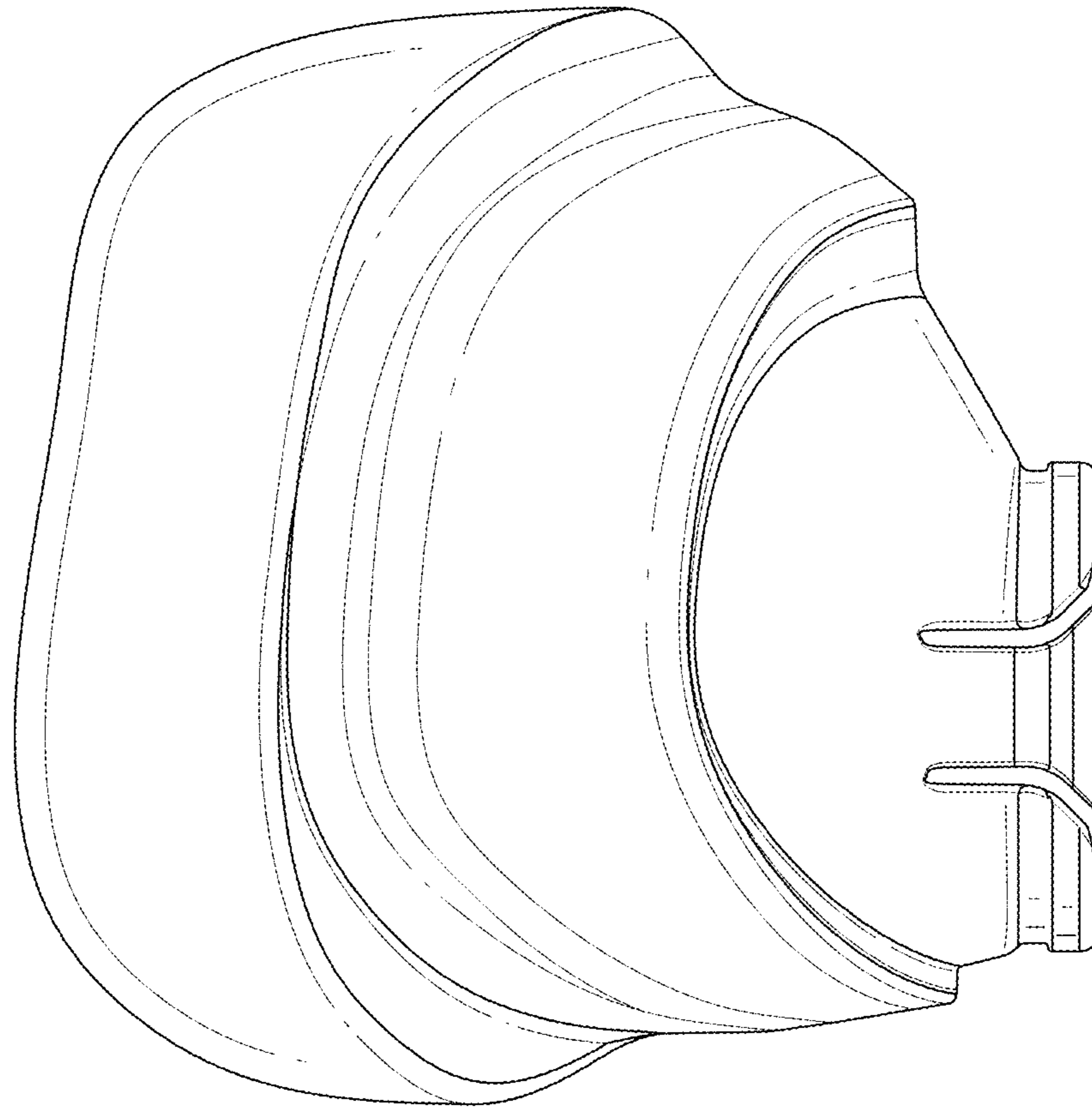


FIG. 8

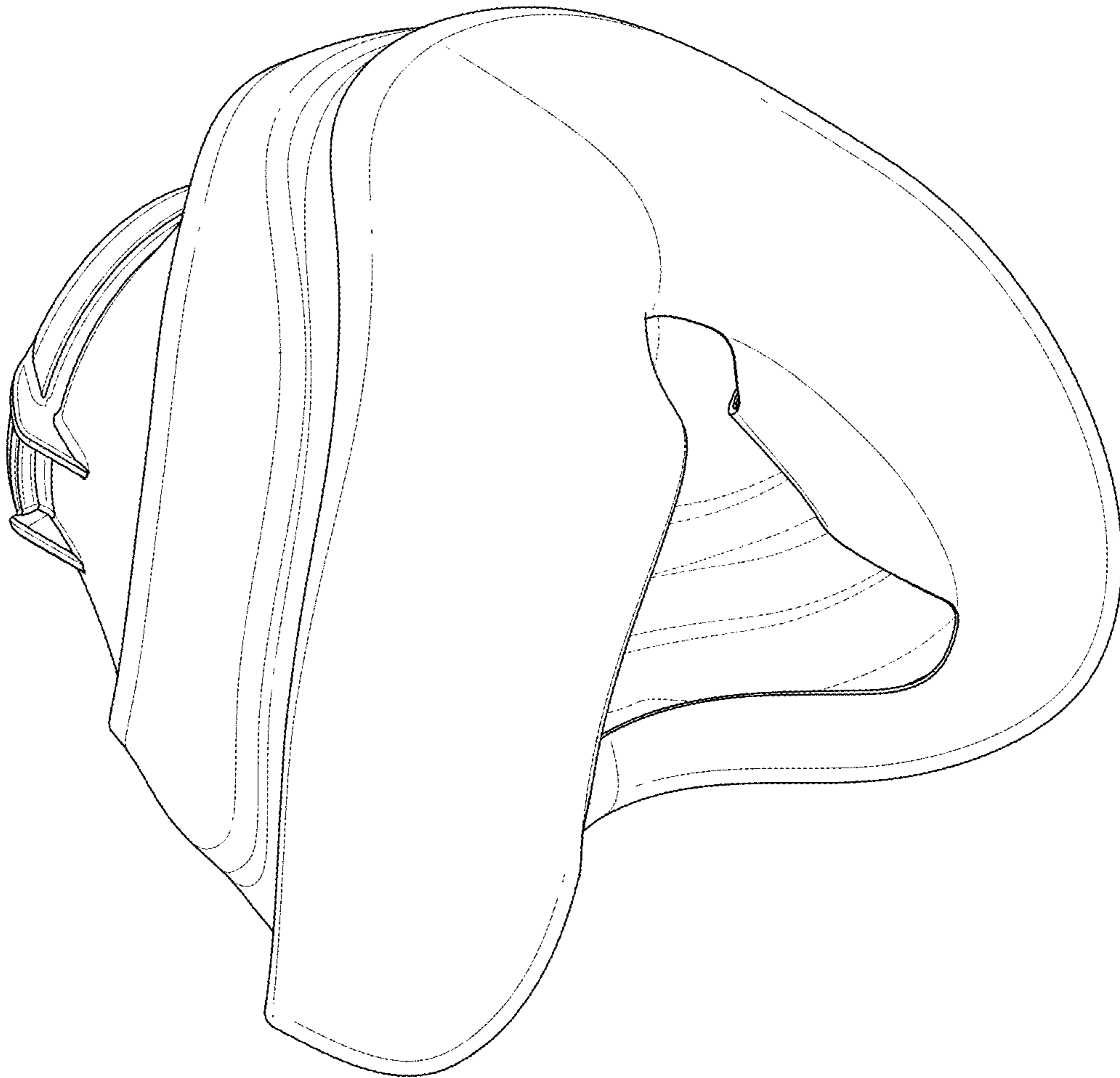


FIG. 9

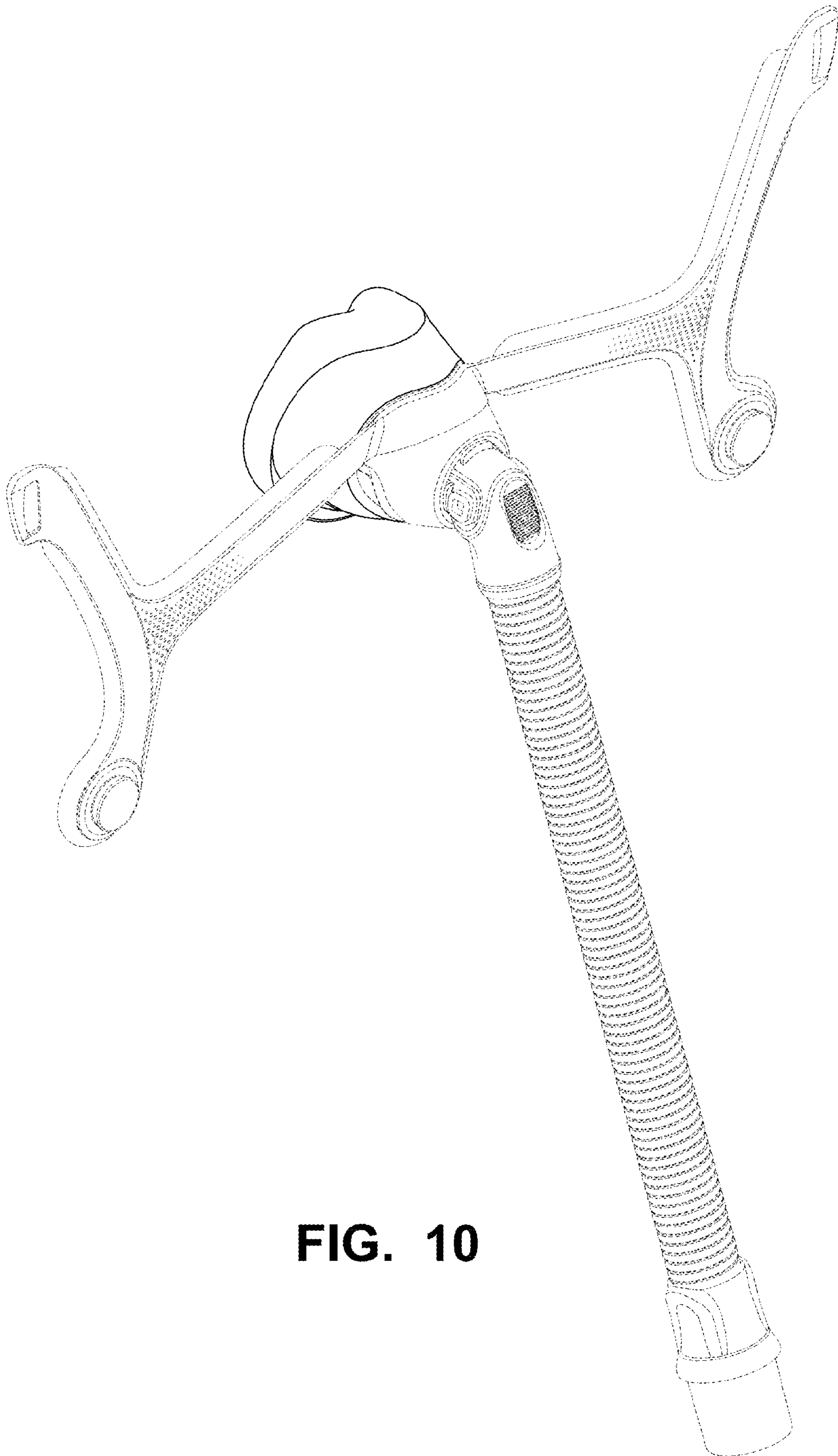


FIG. 10

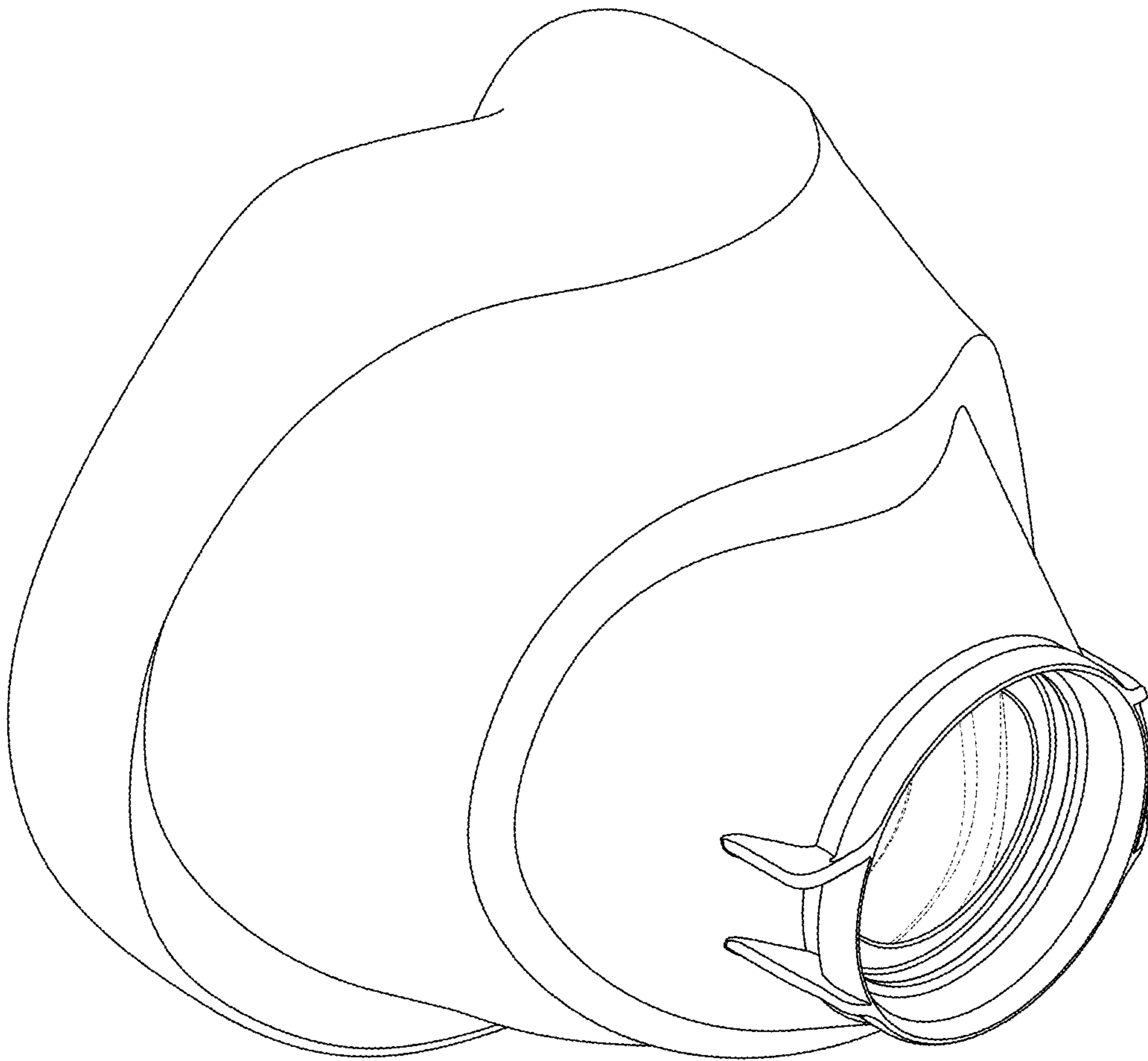


FIG. 11

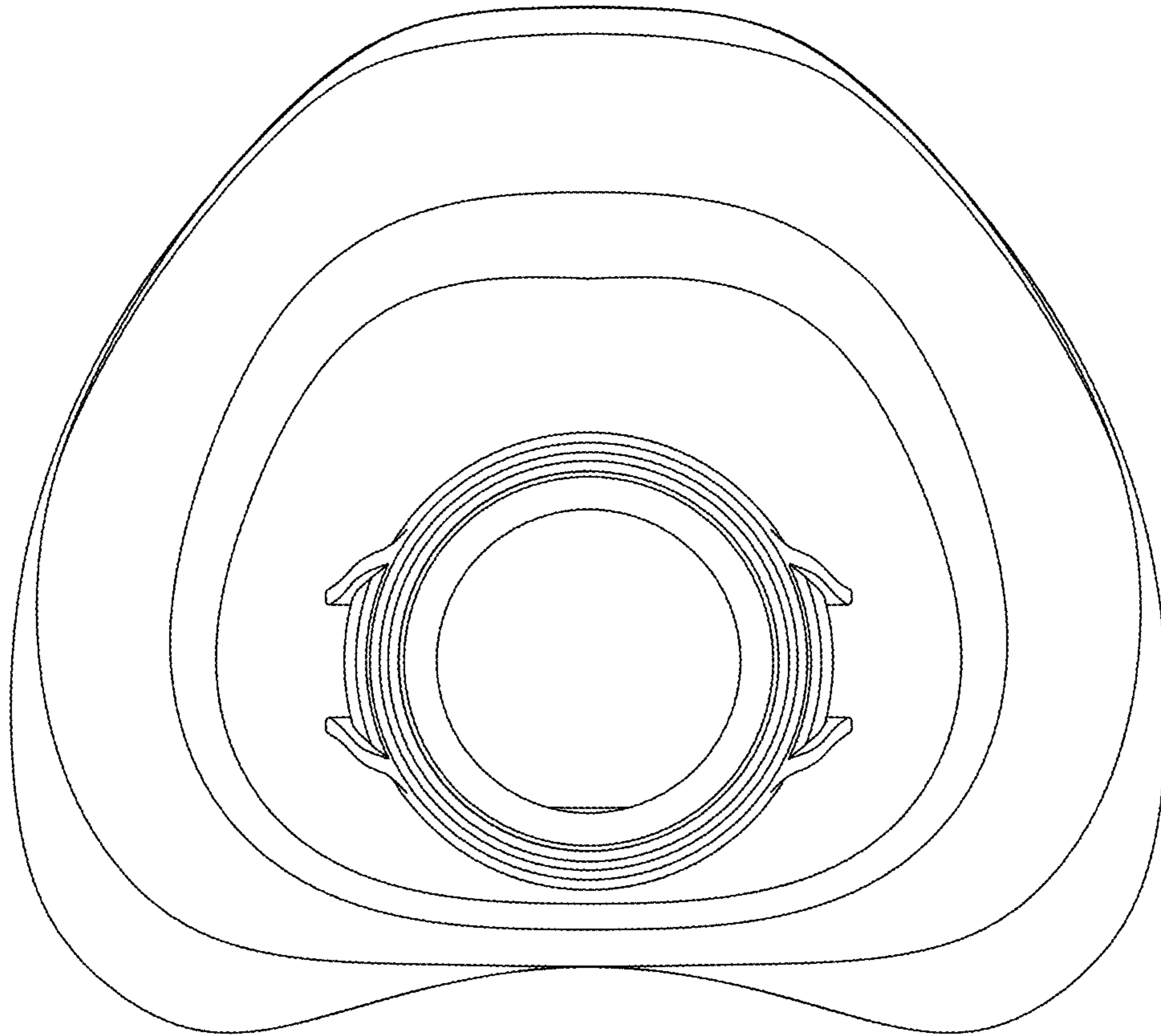


FIG. 12

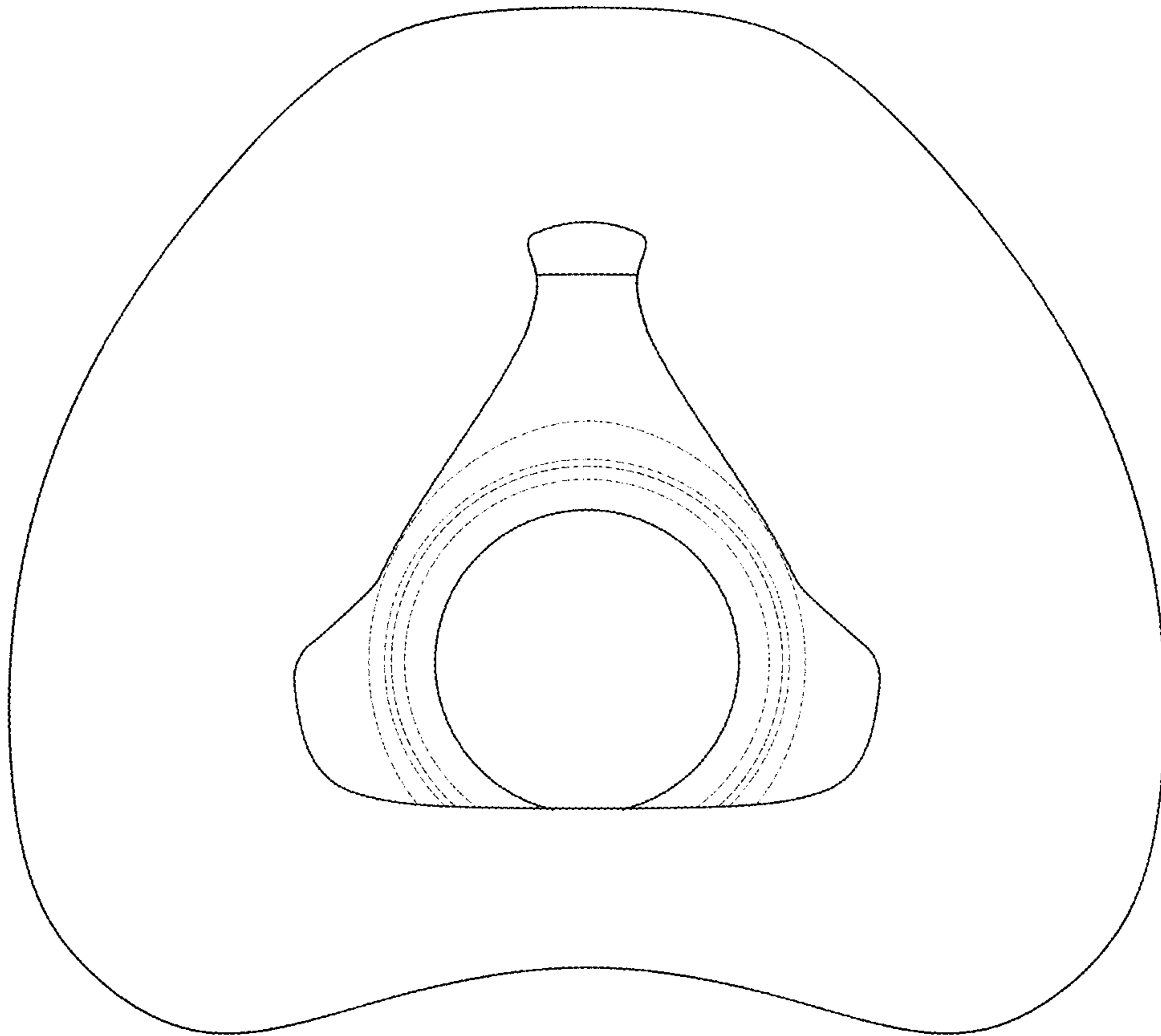


FIG. 13

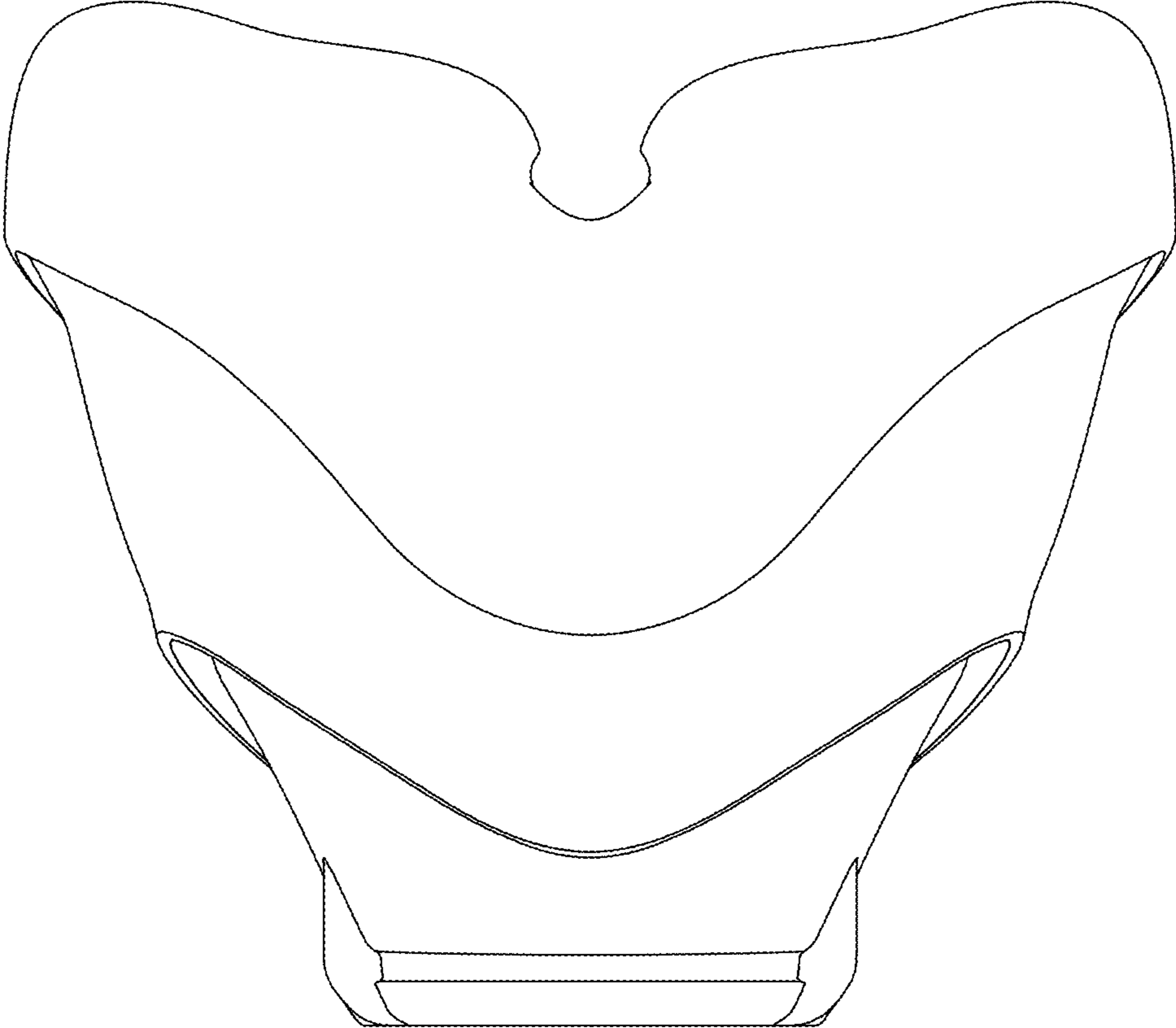


FIG. 14

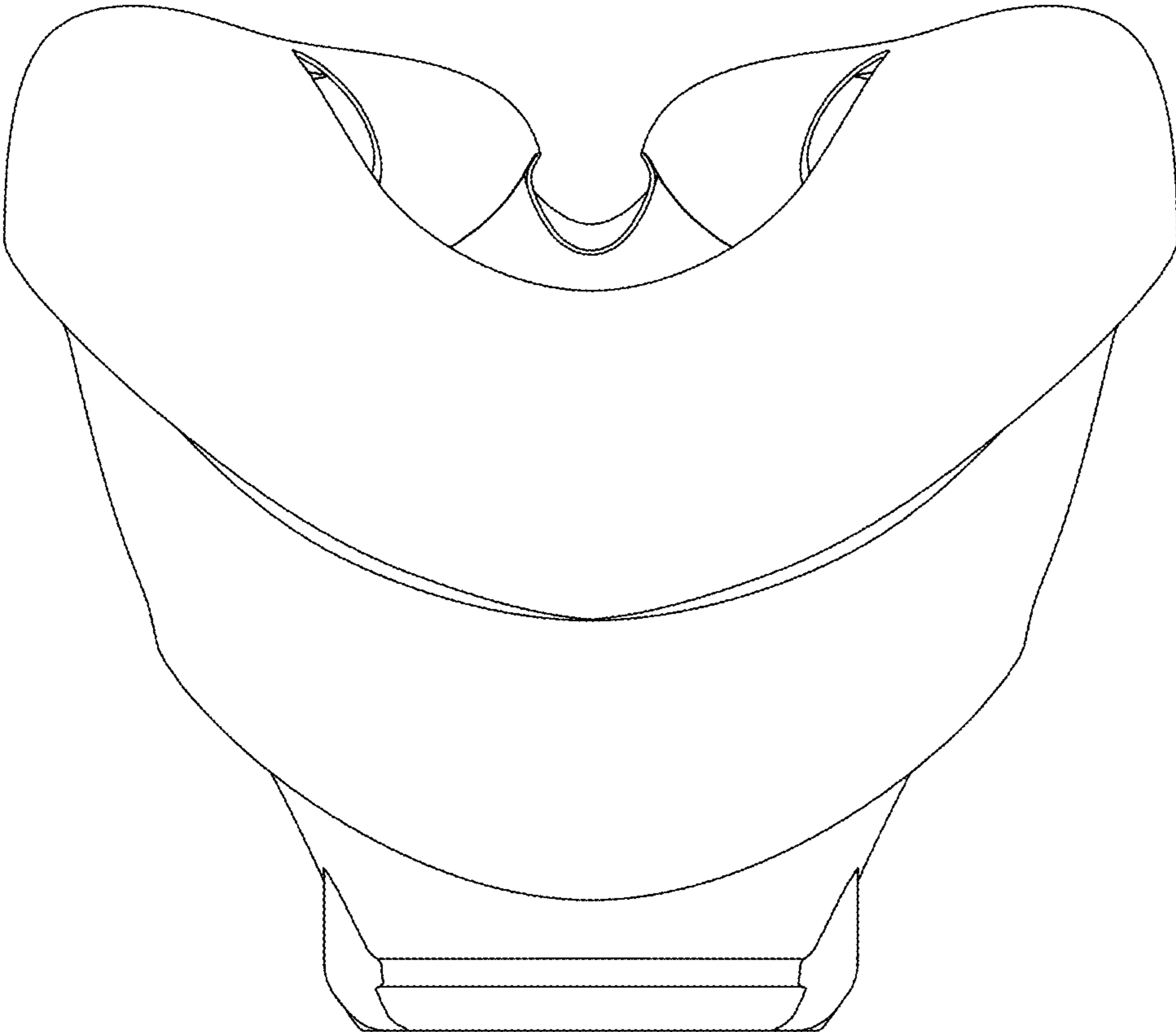


FIG. 15

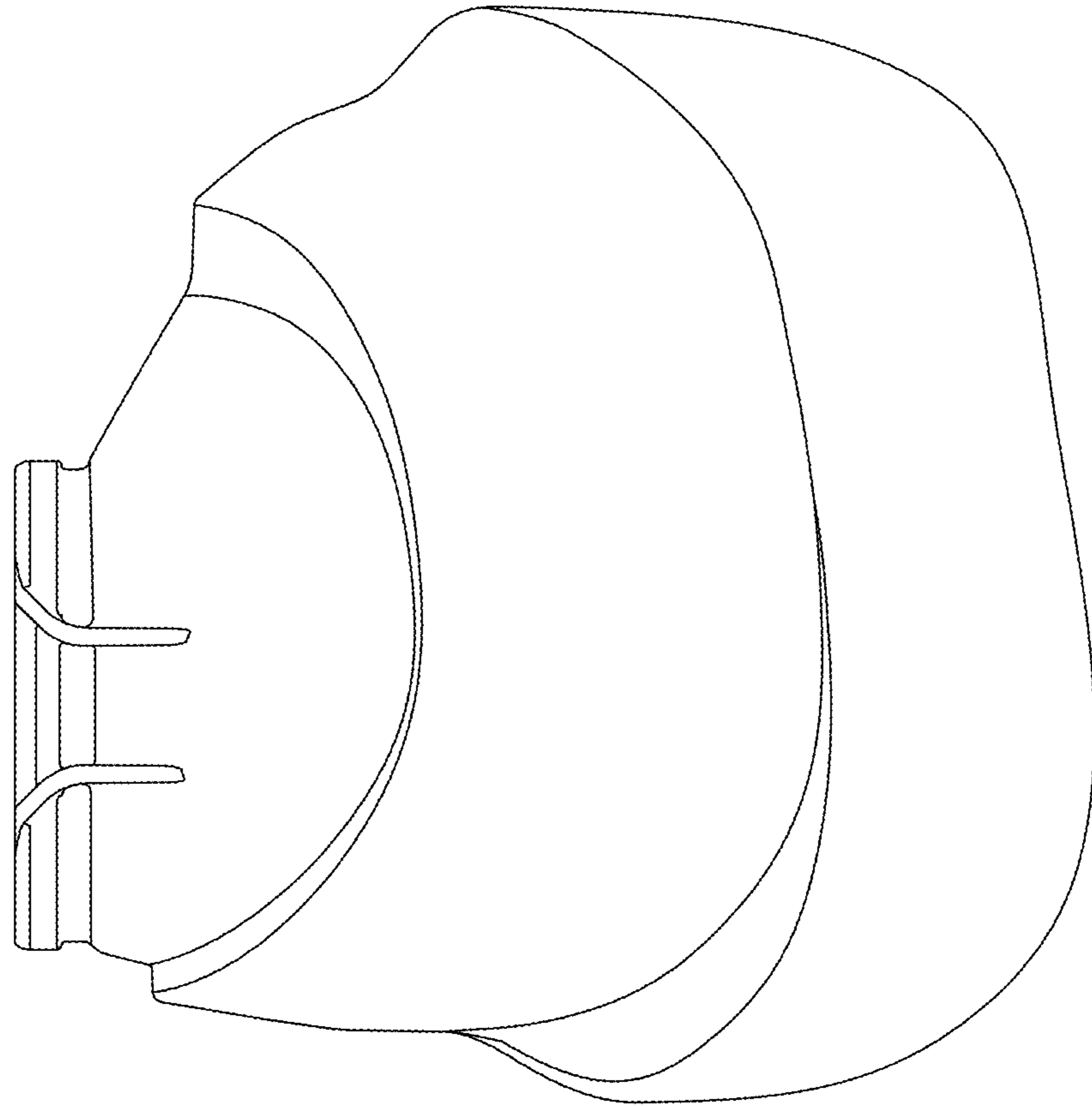


FIG. 16

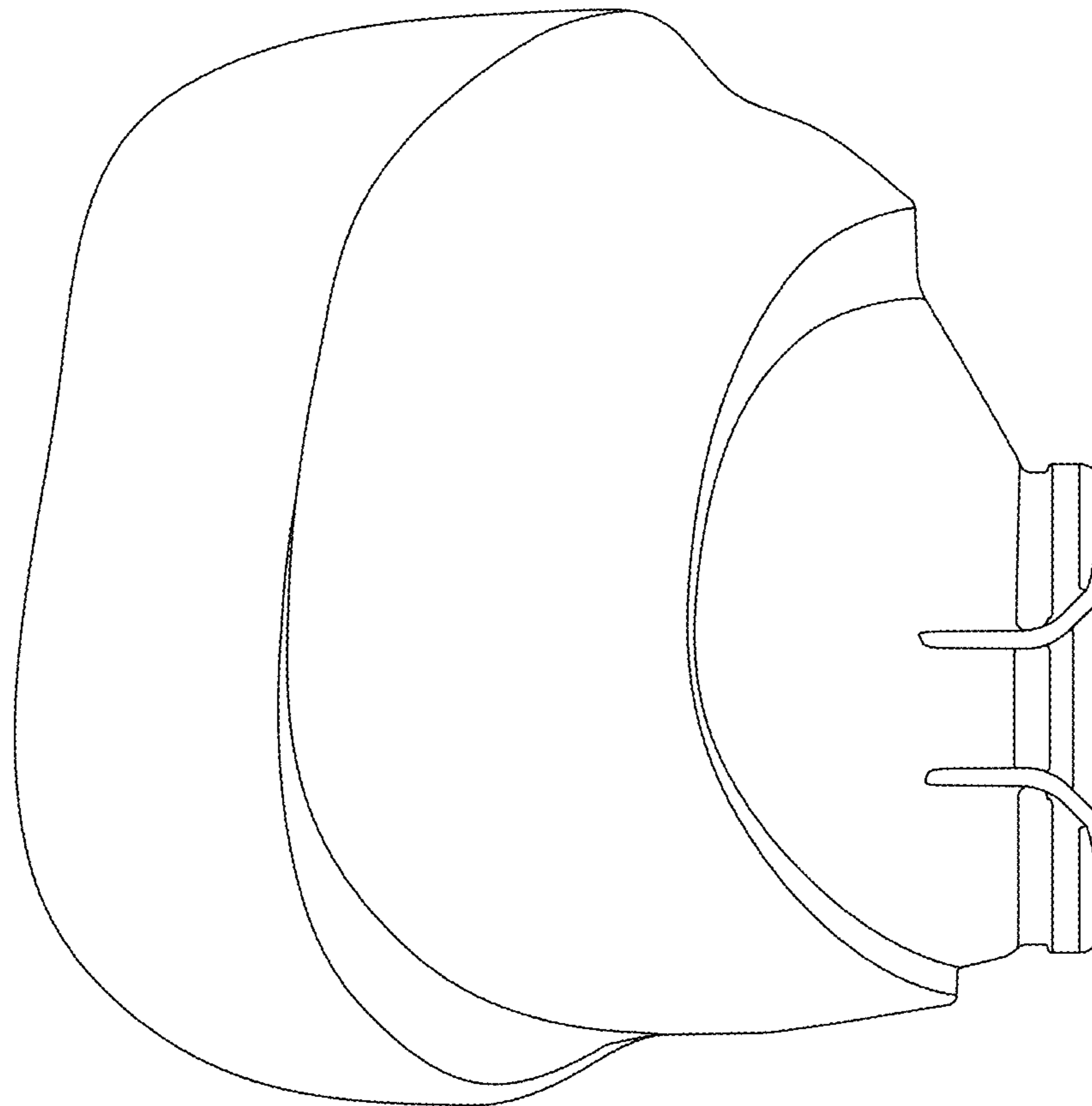


FIG. 17

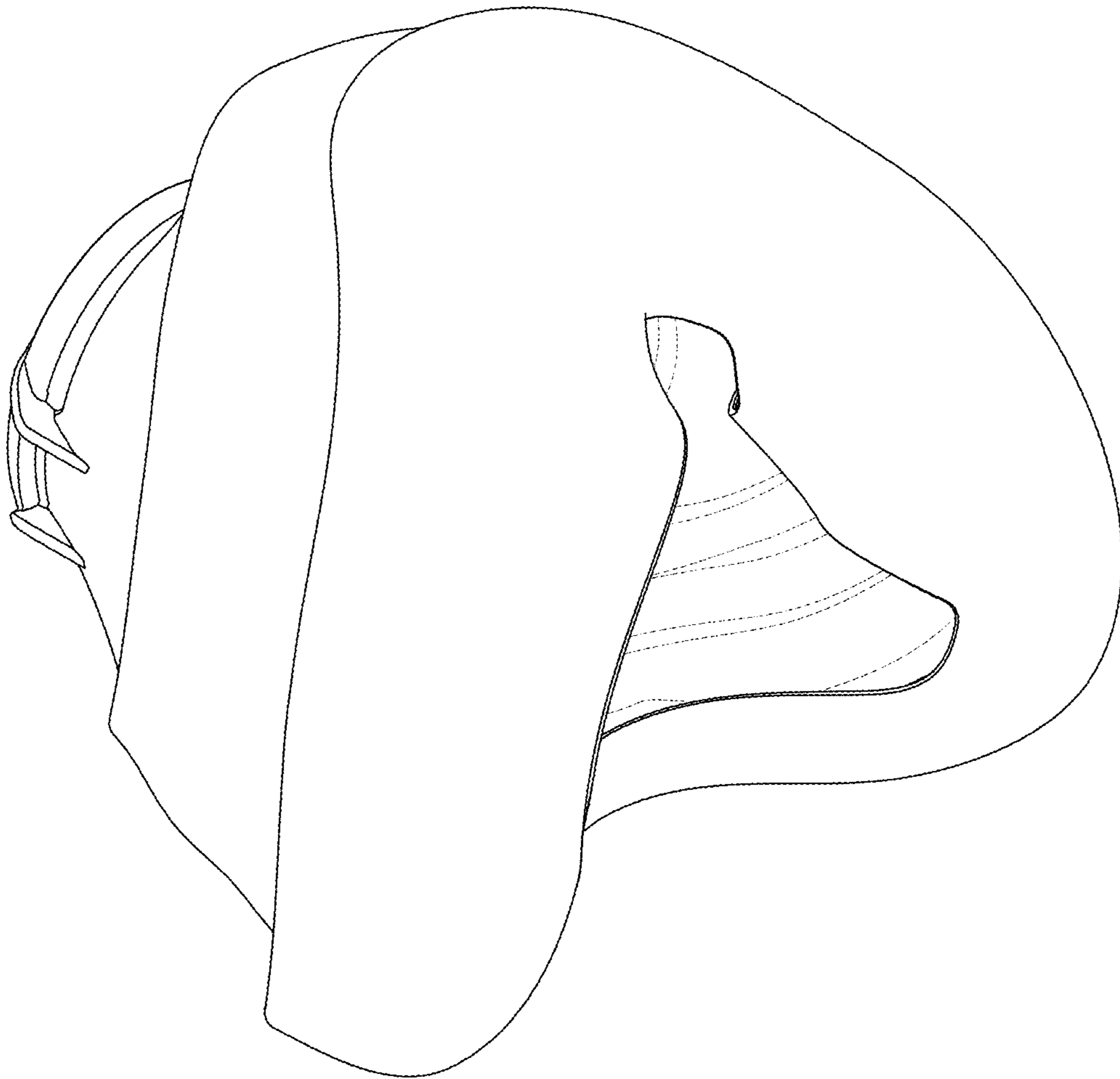


FIG. 18