



US00D956205S

(12) **United States Design Patent**
Nimkar et al.

(10) **Patent No.:** **US D956,205 S**
(45) **Date of Patent:** **** Jun. 28, 2022**

(54) **PUSHER FOOT FOR A FLUID DELIVERY DEVICE**

(71) Applicant: **TAKEDA PHARMACEUTICAL COMPANY LIMITED, Osaka (JP)**

(72) Inventors: **Shekhar Nimkar, Osaka (JP); Adam C. Fox, Columbus, OH (US); Jessica Diane Young, Columbus, OH (US); Beverly Anne Piatt, Columbus, OH (US); James Alan Prescott, Columbus, OH (US); William G. Atterbury, Columbus, OH (US)**

(73) Assignee: **TAKEDA PHARMACEUTICAL COMPANY LIMITED, Osaka (JP)**

(**) Term: **15 Years**

(21) Appl. No.: **29/759,628**

(22) Filed: **Nov. 24, 2020**

(51) **LOC (13) Cl.** **24-01**

(52) **U.S. Cl.**
USPC **D24/108; D24/127**

(58) **Field of Classification Search**
USPC D24/108, 110.6, 112–114, 127, 129, 130, D24/133, 138, 146–148, 224–226, 231, D24/232; 604/214, 218, 221, 224, 227, 604/234, 235, 236
CPC A61M 5/1458; A61M 5/31505; A61M 2005/14573; A61M 2005/5073; A61M 2207/00; A61M 39/10; A61M 39/02; A61M 39/34; A61M 5/14546; A61M 5/1456; A61M 5/14566; A61M 5/31515
See application file for complete search history.

(56) **References Cited**

U.S. PATENT DOCUMENTS

3,016,896 A * 1/1962 Van Sickle A61M 5/284
604/89
D287,053 S * 12/1986 Bucchianeri D24/130

5,423,756 A * 6/1995 van der Merwe .. A61M 5/3216
604/110
D369,214 S * 4/1996 Nason 210/359
D383,205 S * 9/1997 Pagay D24/112
D403,762 S * 1/1999 Gabbard D24/113
D418,917 S * 1/2000 Duchon D24/113
D432,231 S * 10/2000 Balestracci D24/112
D437,050 S * 1/2001 Balestracci D24/112

(Continued)

FOREIGN PATENT DOCUMENTS

CN 306909354 * 10/2021

Primary Examiner — Jonathan J Han

Assistant Examiner — Amanda J Berlinski

(74) *Attorney, Agent, or Firm* — Troutman Pepper Hamilton Sanders LLP

(57) **CLAIM**

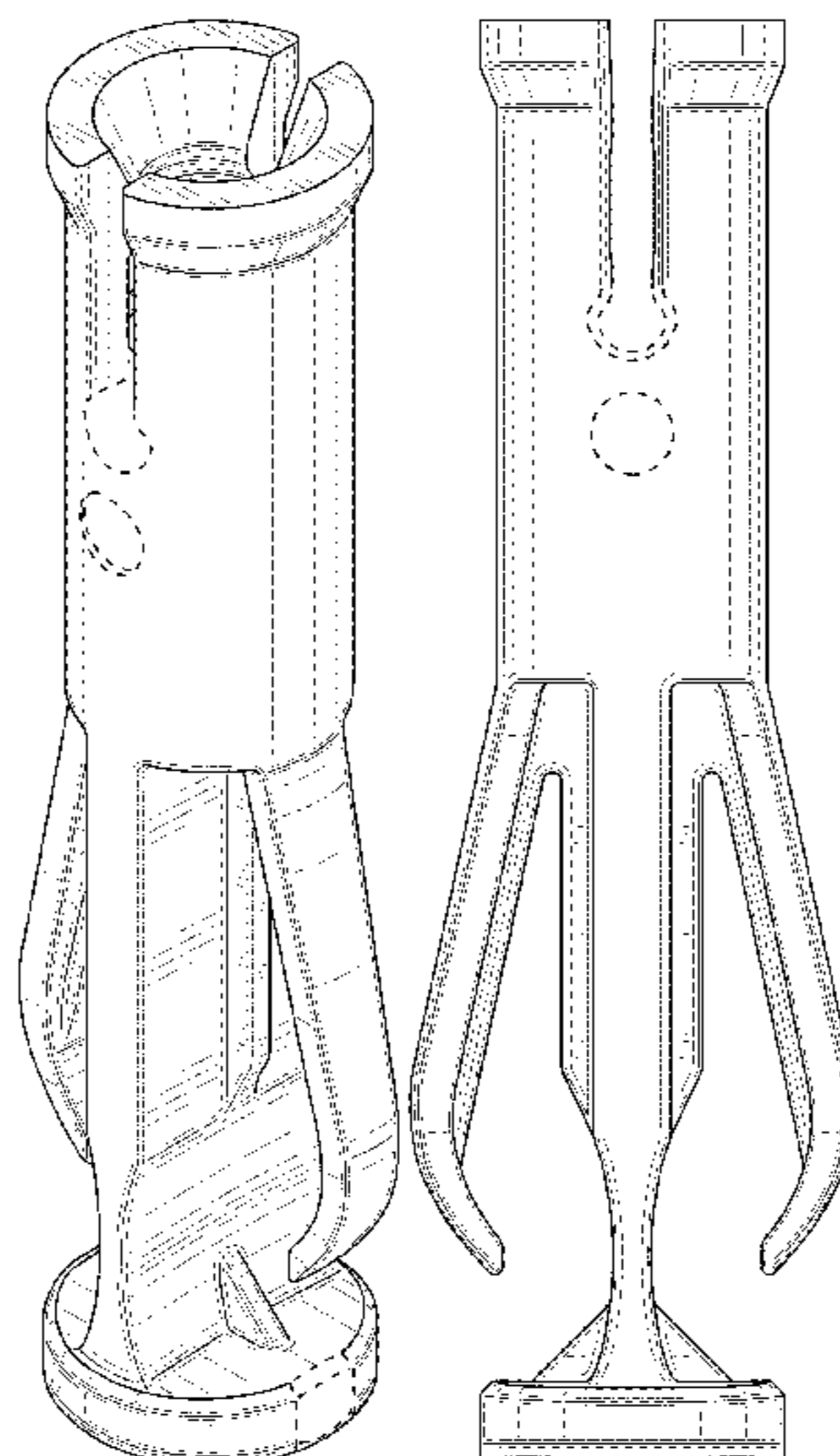
We claim the ornamental design for a pusher foot for a fluid delivery device, as shown and described.

DESCRIPTION

FIG. 1 is a top perspective view of the new design for a pusher foot for a fluid delivery device; FIG. 2 is a bottom perspective view thereof; FIG. 3 is a front elevation view thereof; FIG. 4 is a back elevation view thereof; FIG. 5 is a left side elevation view thereof; FIG. 6 is a right side elevation view thereof; FIG. 7 is a top plan view thereof; FIG. 8 is a bottom plan view thereof; and, FIG. 9 is a cross sectional view thereof along the lines 9-9 of FIG. 5.

The broken lines shown in the figures depict portions of the pusher foot for a fluid delivery device that form no part of the claimed design. The shade lines shown represent surface shading and not surface ornamentation, color, or material type.

1 Claim, 9 Drawing Sheets



(56)

References Cited

U.S. PATENT DOCUMENTS

D488,864	S *	4/2004	Fago	D24/121
D543,624	S *	5/2007	Khalaj	D24/114
D638,122	S *	5/2011	Kosinski	A61M 5/31511
				D24/130
D659,825	S *	5/2012	Dillard, III	D24/130
D663,415	S *	7/2012	Tamura	D24/130
D689,188	S *	9/2013	Lundquist	D24/130
D690,416	S *	9/2013	Cappello	D24/112
D713,525	S *	9/2014	Oguro	D24/130
D720,069	S *	12/2014	Kaercher	D24/133
D724,727	S *	3/2015	Lubensky	D24/133
D750,774	S *	3/2016	Schilling	D24/130
D768,852	S *	10/2016	Rozwadowski	D24/130
D808,518	S *	1/2018	Bureau	D24/112
D827,133	S *	8/2018	Gro er	D24/130
D865,947	S *	11/2019	Khalaj	D24/114
D870,278	S *	12/2019	Lilly	D24/130
10,722,432	B2 *	7/2020	Davis	A61J 15/0076
D895,792	S *	9/2020	Ho	D24/112
D911,519	S *	2/2021	Newlove	A61J 15/0076
				D24/130
D923,783	S *	6/2021	Yemane-Tekeste	D24/129
2020/0353172	A1 *	11/2020	Khalaj	A61M 5/3134

* cited by examiner

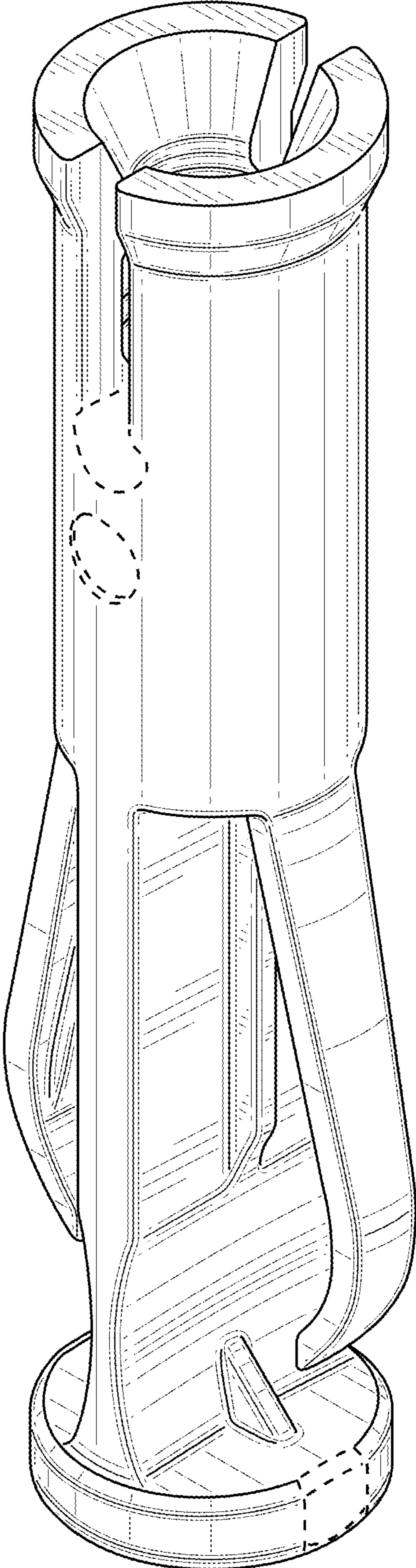


FIG. 1

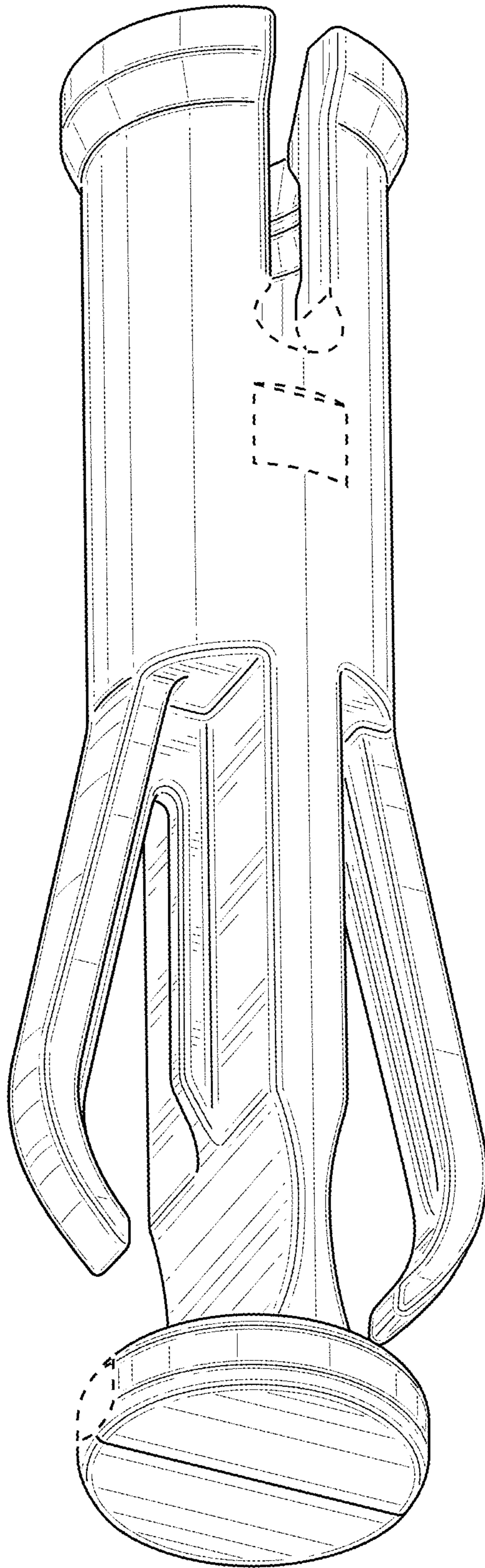


FIG. 2

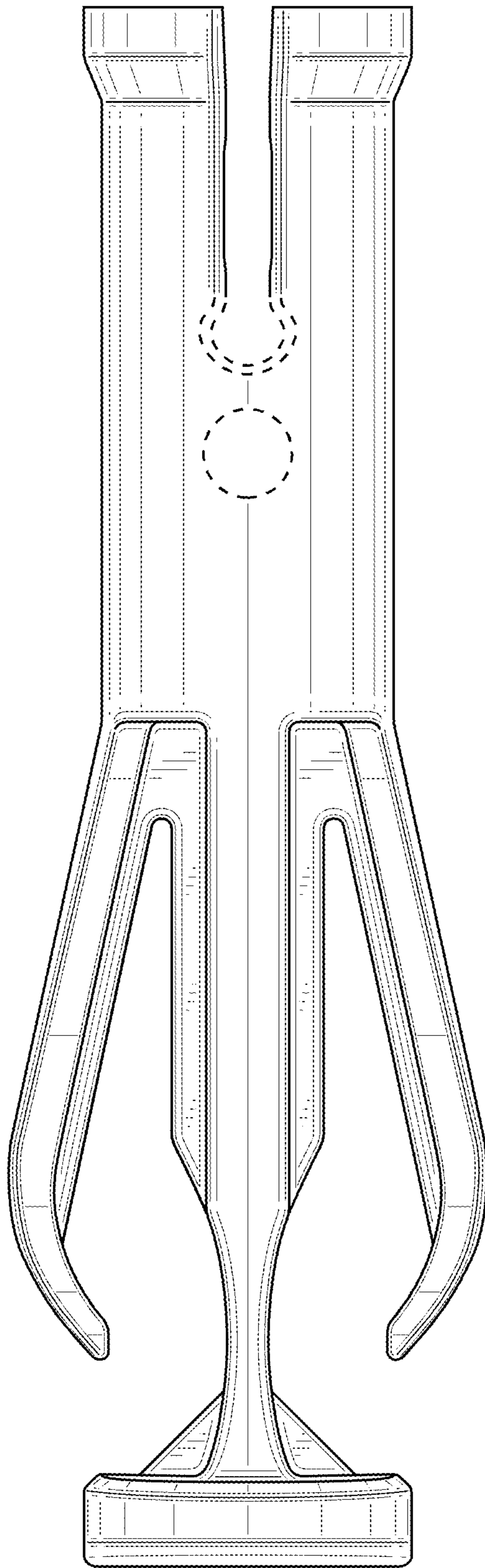


FIG. 3

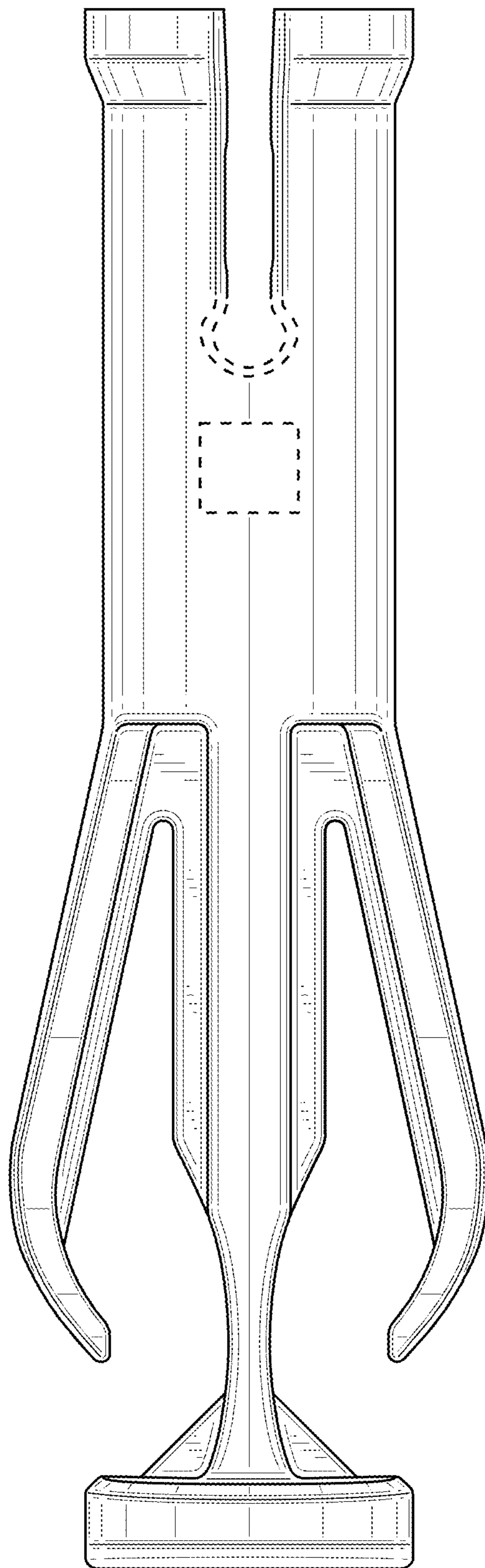


FIG. 4

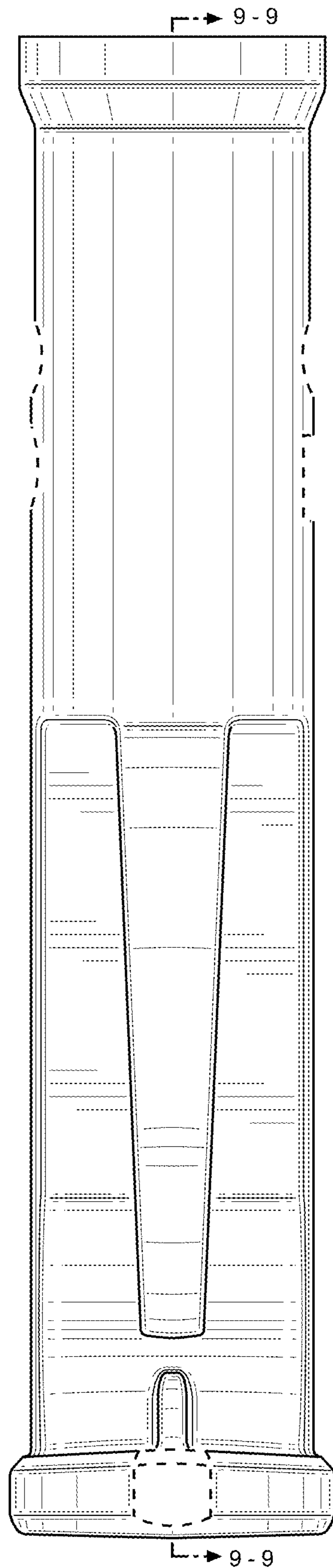


FIG. 5

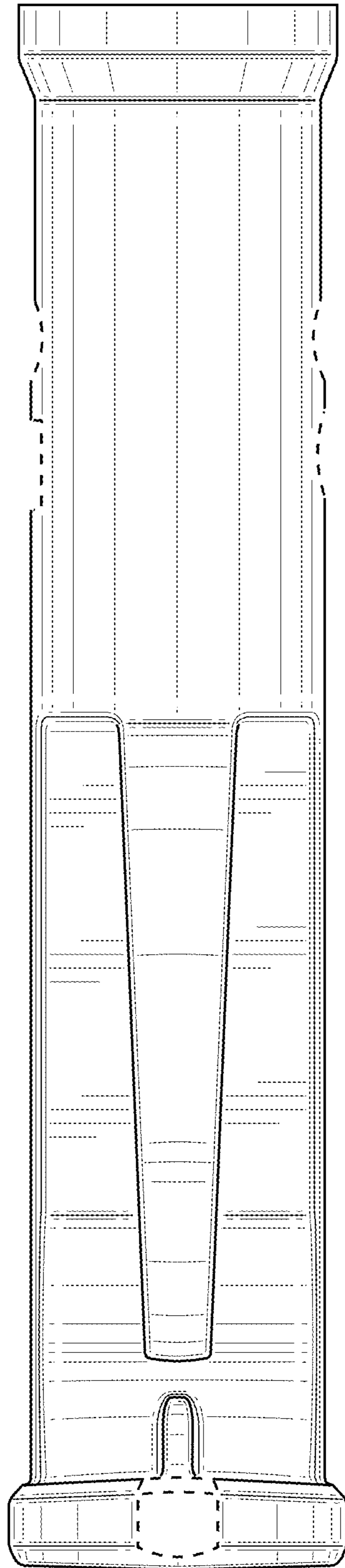


FIG. 6

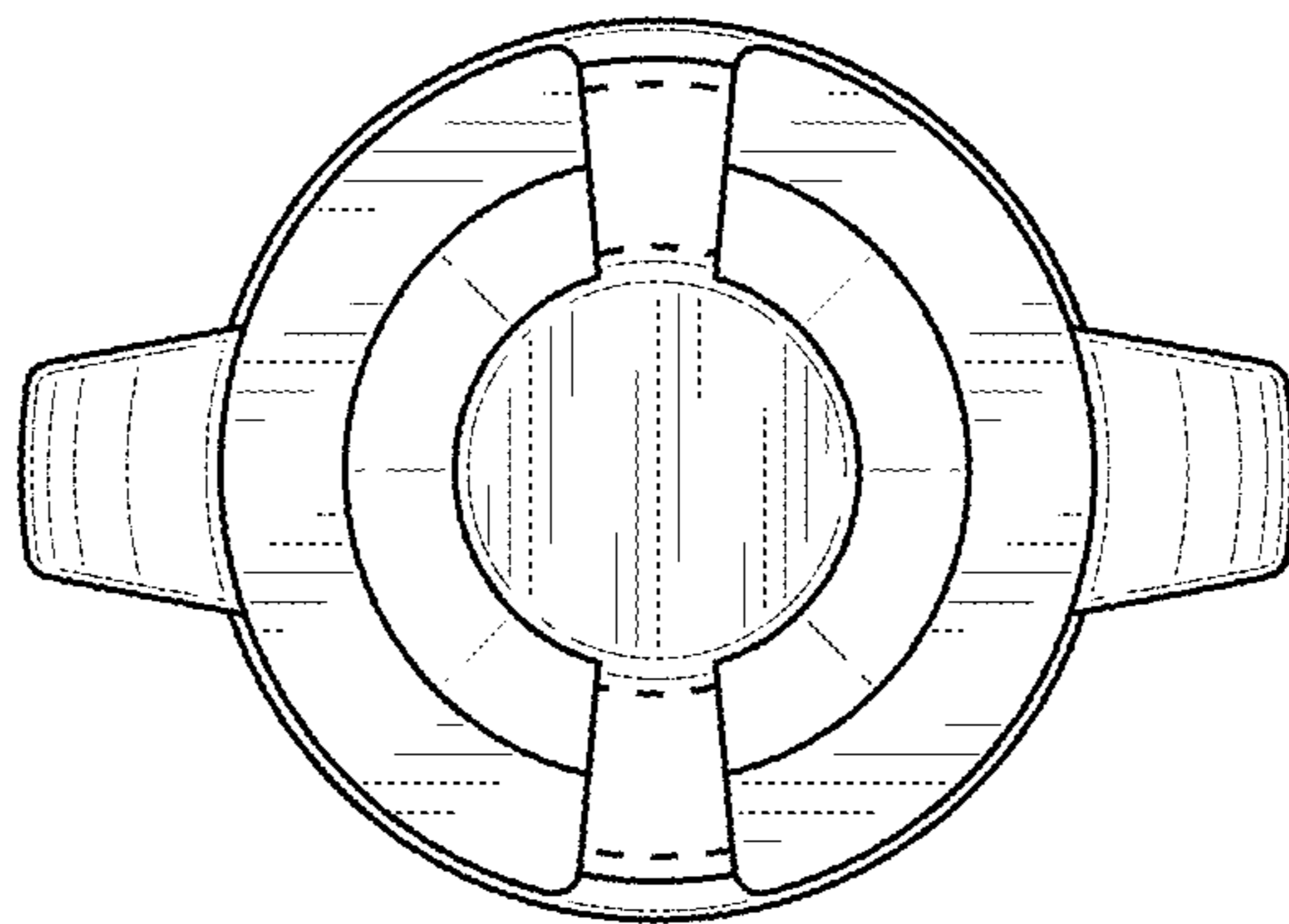


FIG. 7

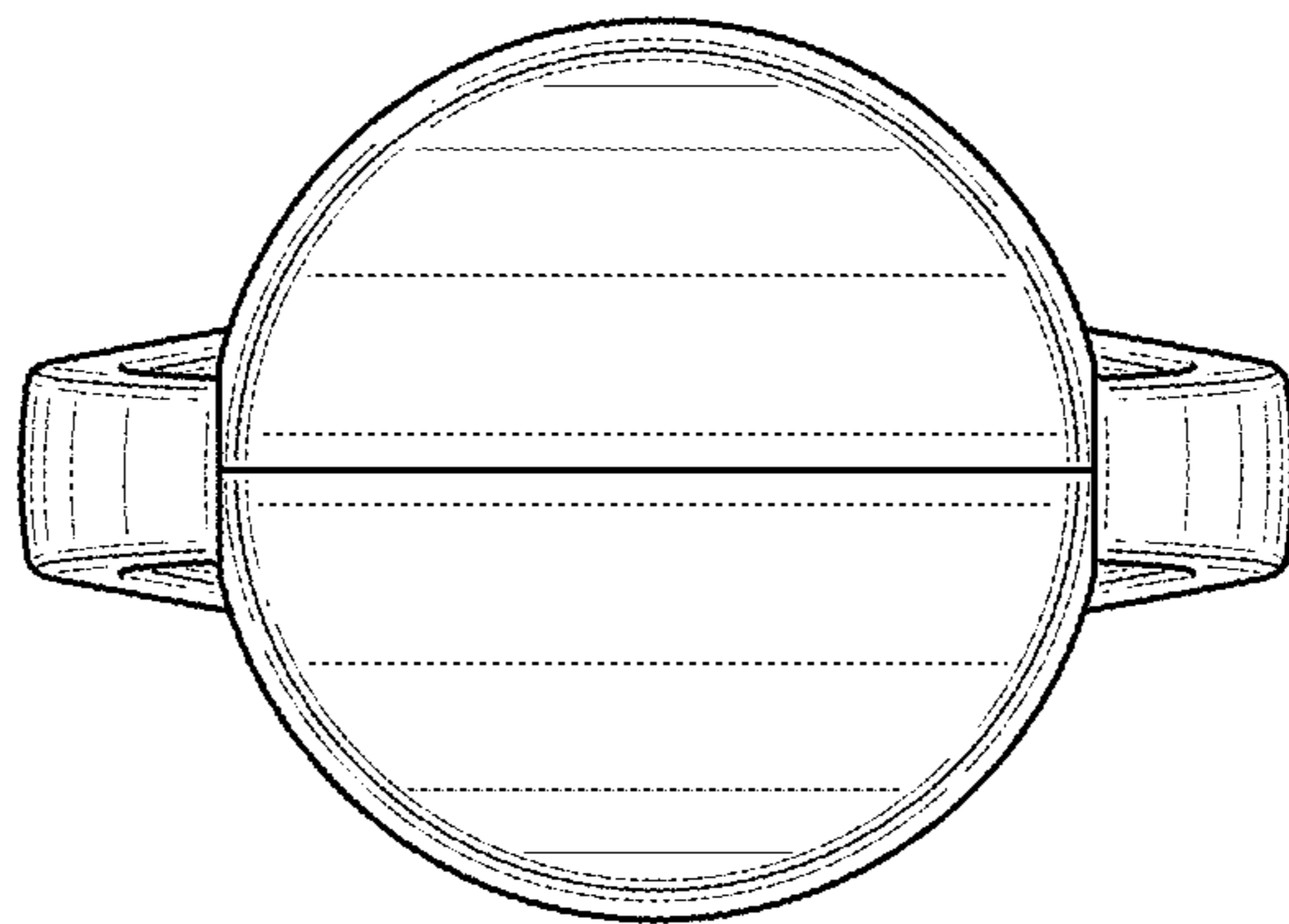


FIG. 8

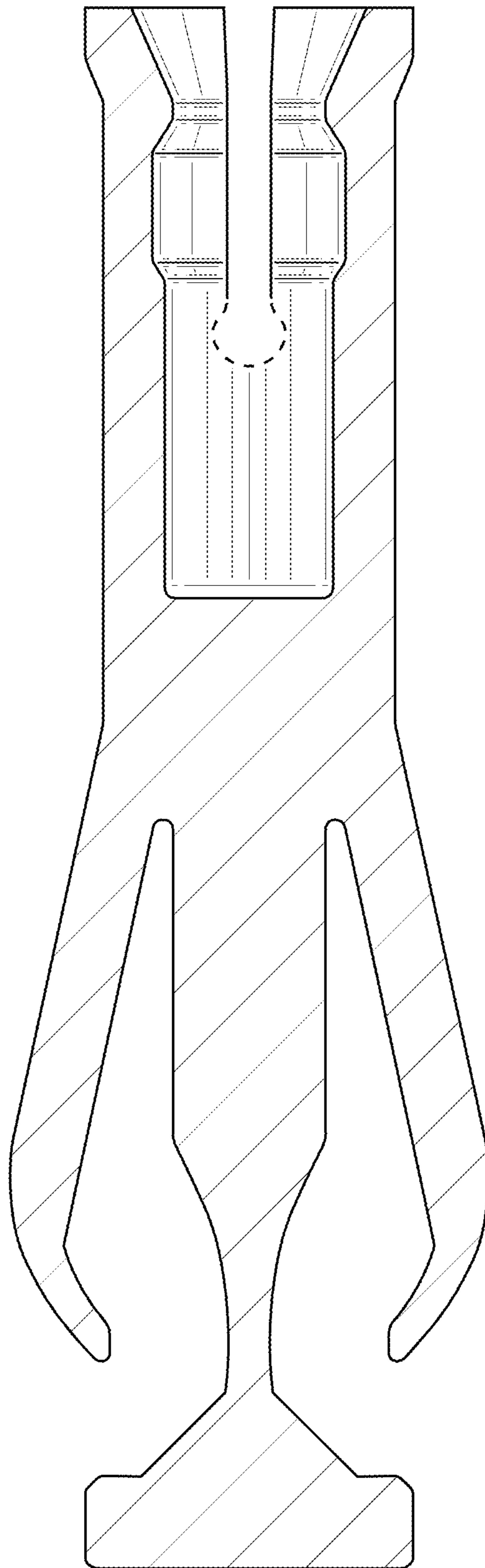


FIG. 9