



US00D956204S

(12) **United States Design Patent**
Sadanandan

(10) **Patent No.:** **US D956,204 S**
(45) **Date of Patent:** **** Jun. 28, 2022**

(54) **EAR PLUG**

FOREIGN PATENT DOCUMENTS

(71) Applicant: **Rishi Sai Sadanandan**, Tarpon Springs,
FL (US)

CN 201 674645 12/2010
CN 108513203 A 9/2018

(72) Inventor: **Rishi Sai Sadanandan**, Tarpon Springs,
FL (US)

OTHER PUBLICATIONS

(**) Term: **15 Years**

Mifo, <https://www.aliexpress.com/item/33020783992.html>.
JBL Endurance DIVE, <https://www.jbl.com/endurance-headphones-series/JBLENDURDIVE.LAM.html>.

(21) Appl. No.: **29/767,535**

* cited by examiner

(22) Filed: **Jan. 22, 2021**

Primary Examiner — Richelle G Shelton

(51) **LOC (13) Cl.** **24-04**

(57) **CLAIM**

(52) **U.S. Cl.**

The ornamental design for an ear plug, as shown and described.

USPC **D24/106**

(58) **Field of Classification Search**

DESCRIPTION

USPC D24/106, 173, 174; D14/223; D29/112
CPC A61F 11/08; A61F 11/085; H04R 1/10
See application file for complete search history.

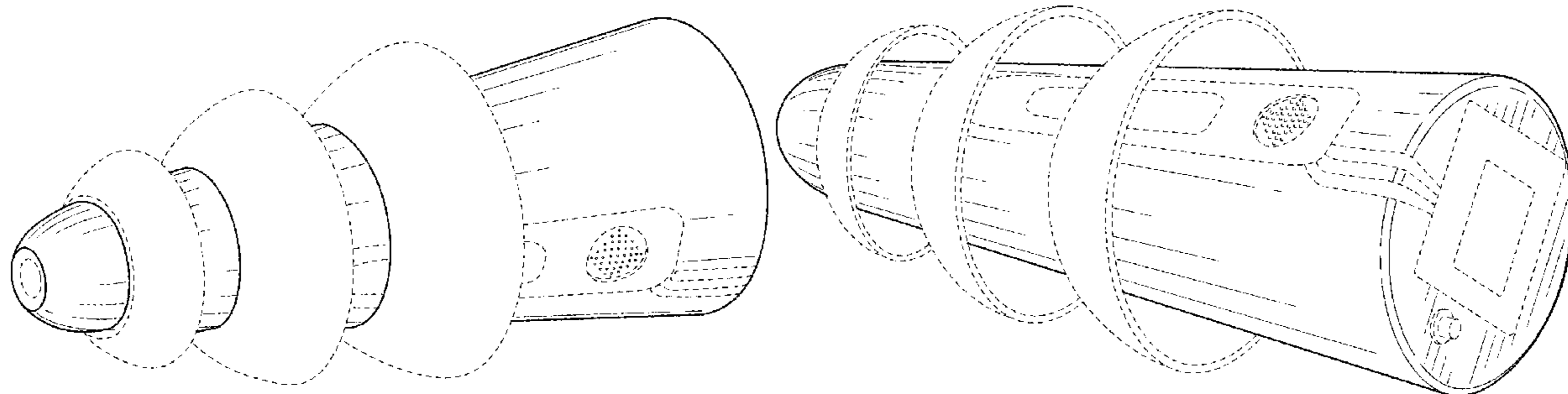
FIG. 1 is a left-top perspective view of an ear plug showing my new design;
FIG. 2 is a right-front perspective view thereof;
FIG. 3 is a front elevational view thereof;
FIG. 4 is a rear elevational view thereof;
FIG. 5 is a top plan view thereof;
FIG. 6 is a bottom plan view thereof;
FIG. 7 is a left elevational view thereof; and,
FIG. 8 is a right elevational view thereof.
The broken lines and all within show elements of the article that are excluded from the claim.

(56) **References Cited**

U.S. PATENT DOCUMENTS

- D92,786 S * 7/1934 Vivaudou D9/680
- D253,723 S * 12/1979 Leight D24/106
- D264,249 S * 5/1982 Leight D24/106
- D435,645 S * 12/2000 Westerdal D24/106
- 9,794,668 B2 10/2017 Masaki et al.
- 2010/0095971 A1* 4/2010 Johnson A61F 13/2057
128/865
- 2019/0116412 A1* 4/2019 Prelogar H04R 1/1016

1 Claim, 4 Drawing Sheets



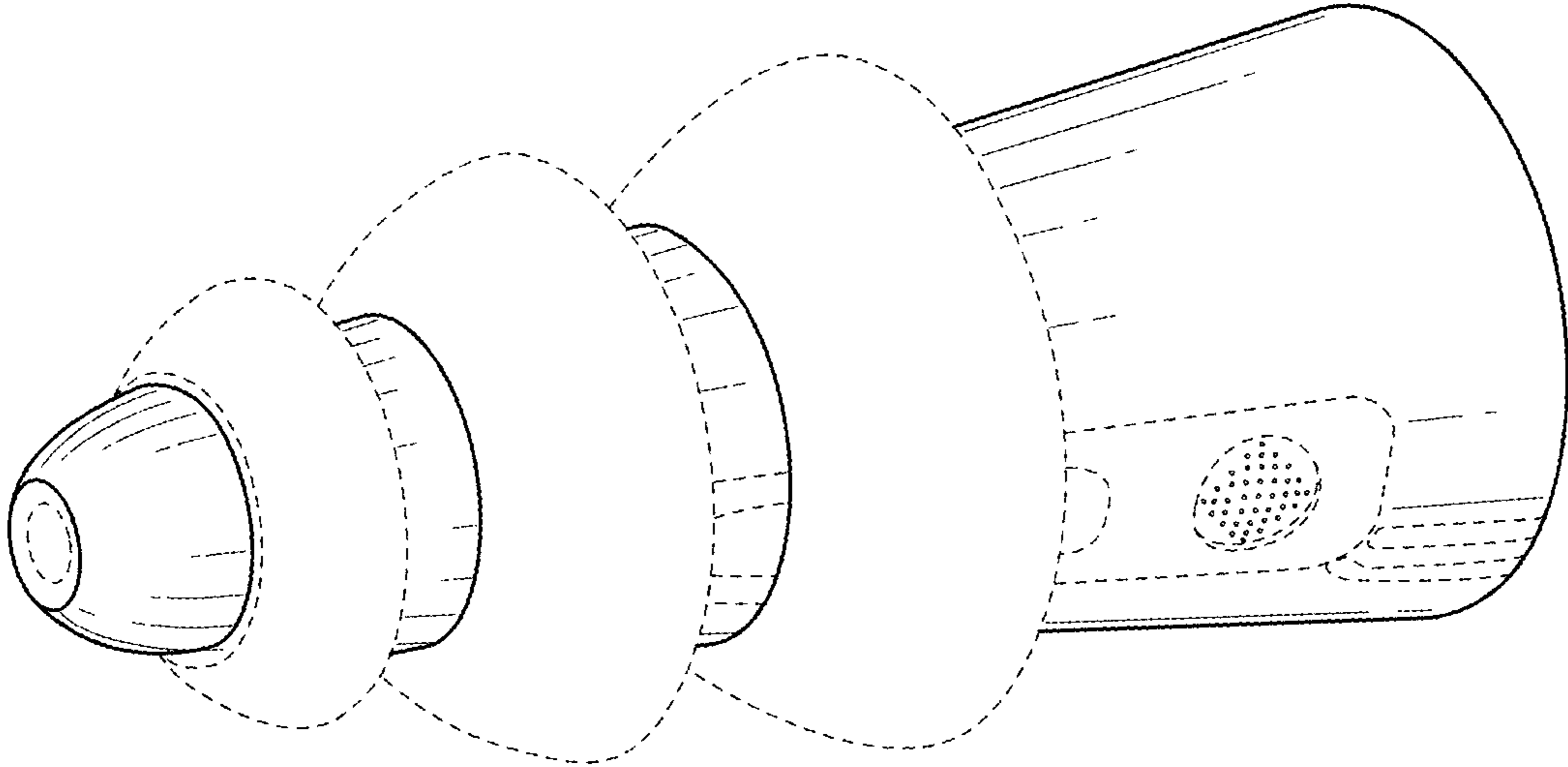


FIG. 1

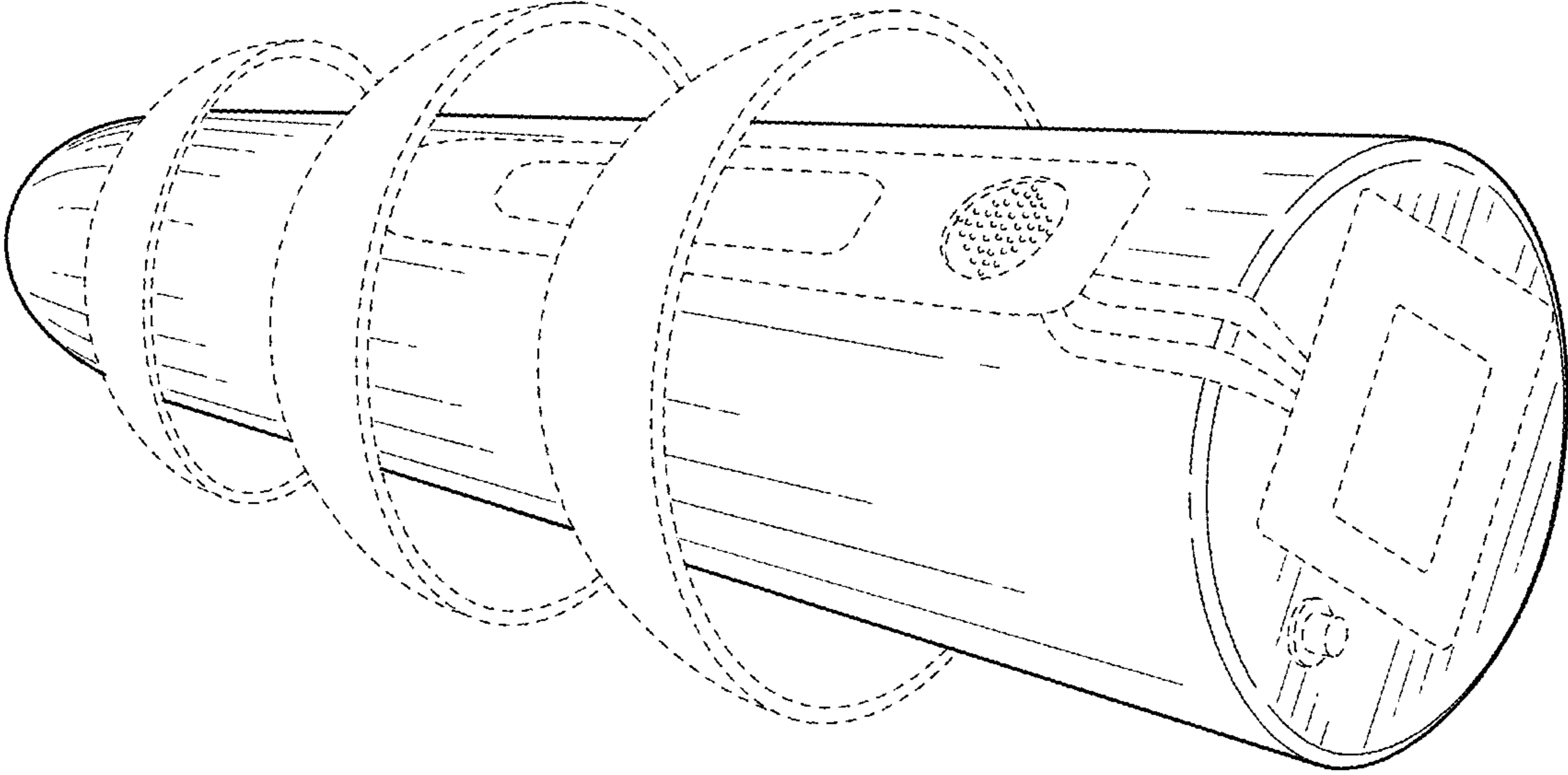


FIG. 2

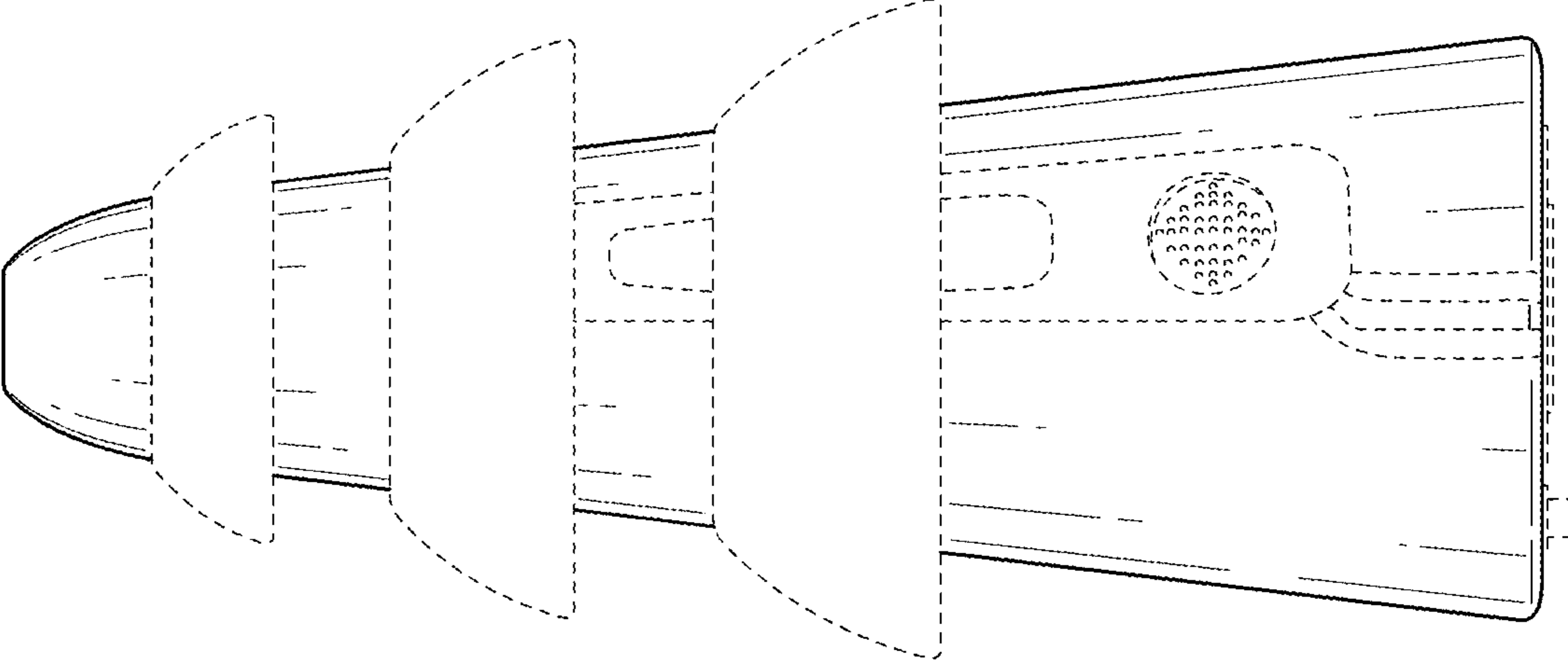


FIG. 3

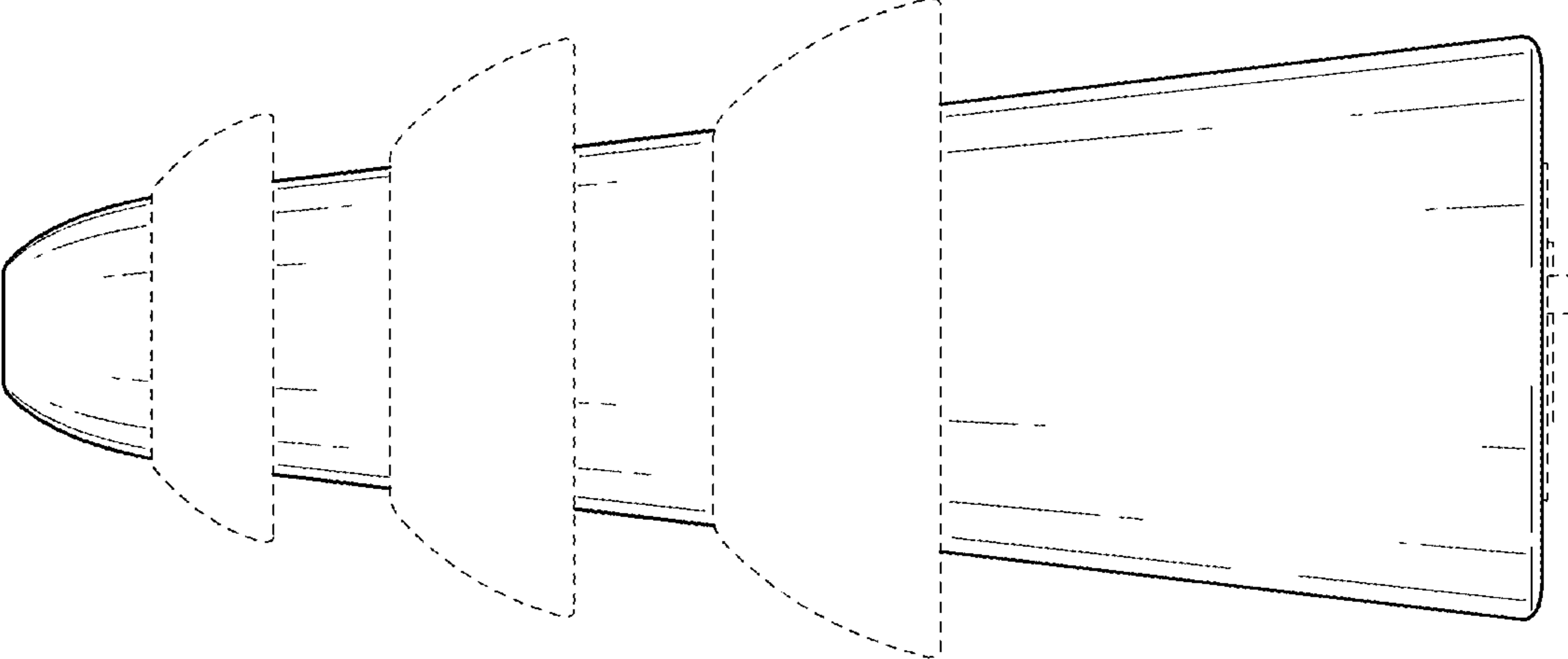


FIG. 4

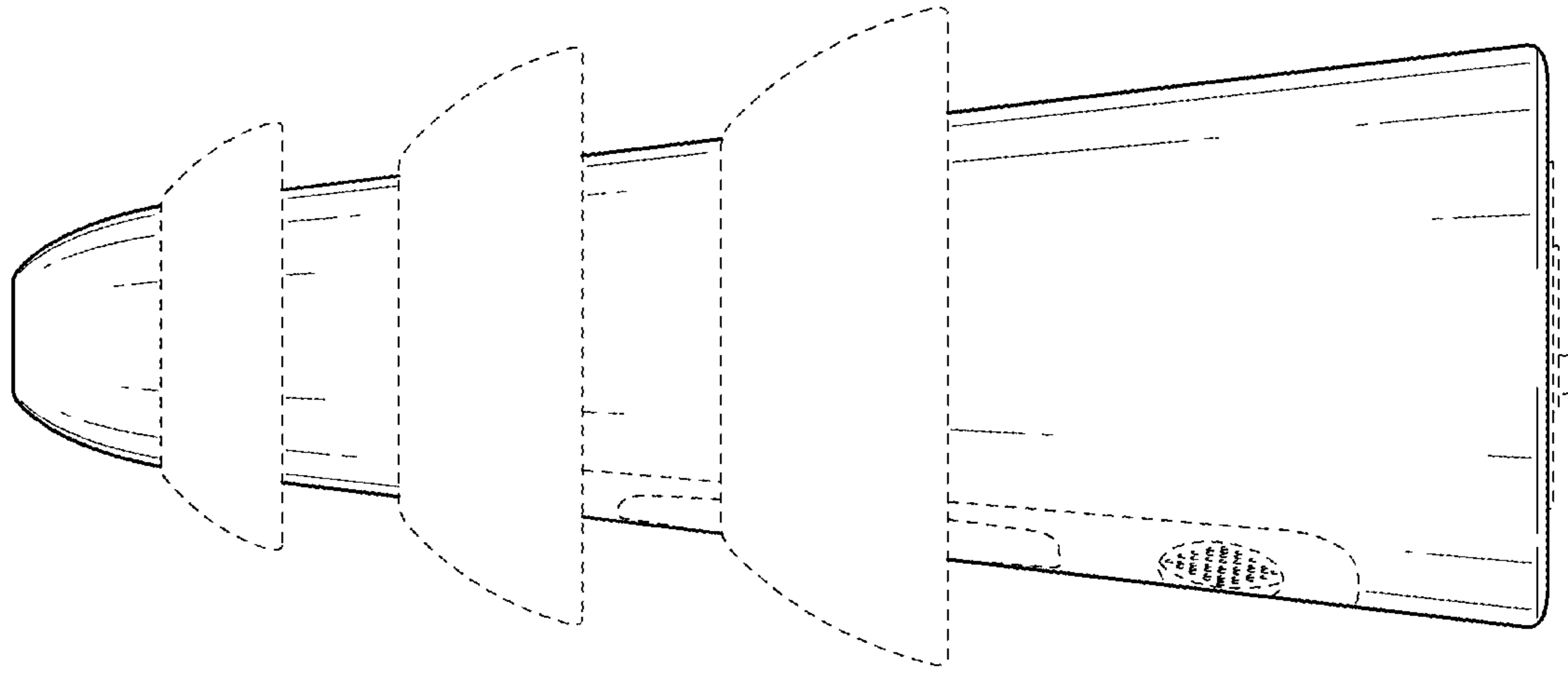


FIG. 5

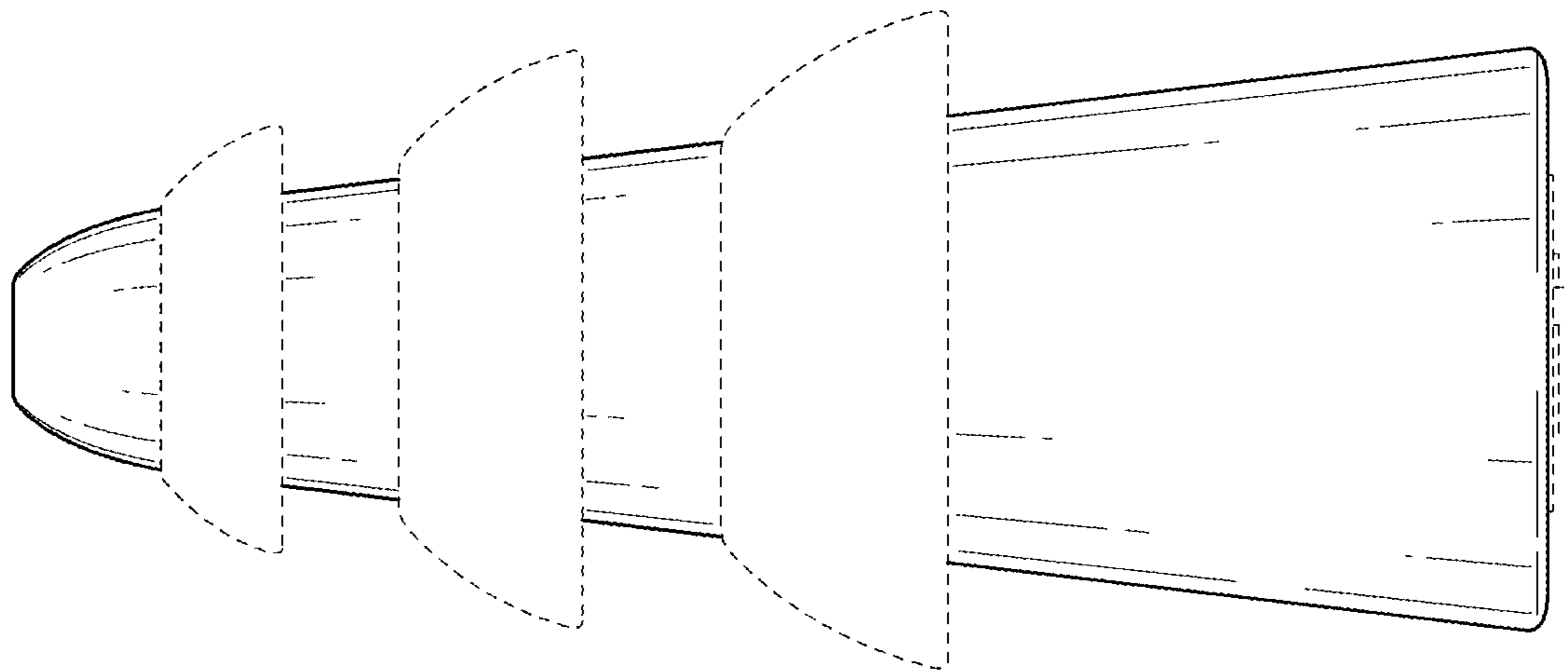


FIG. 6

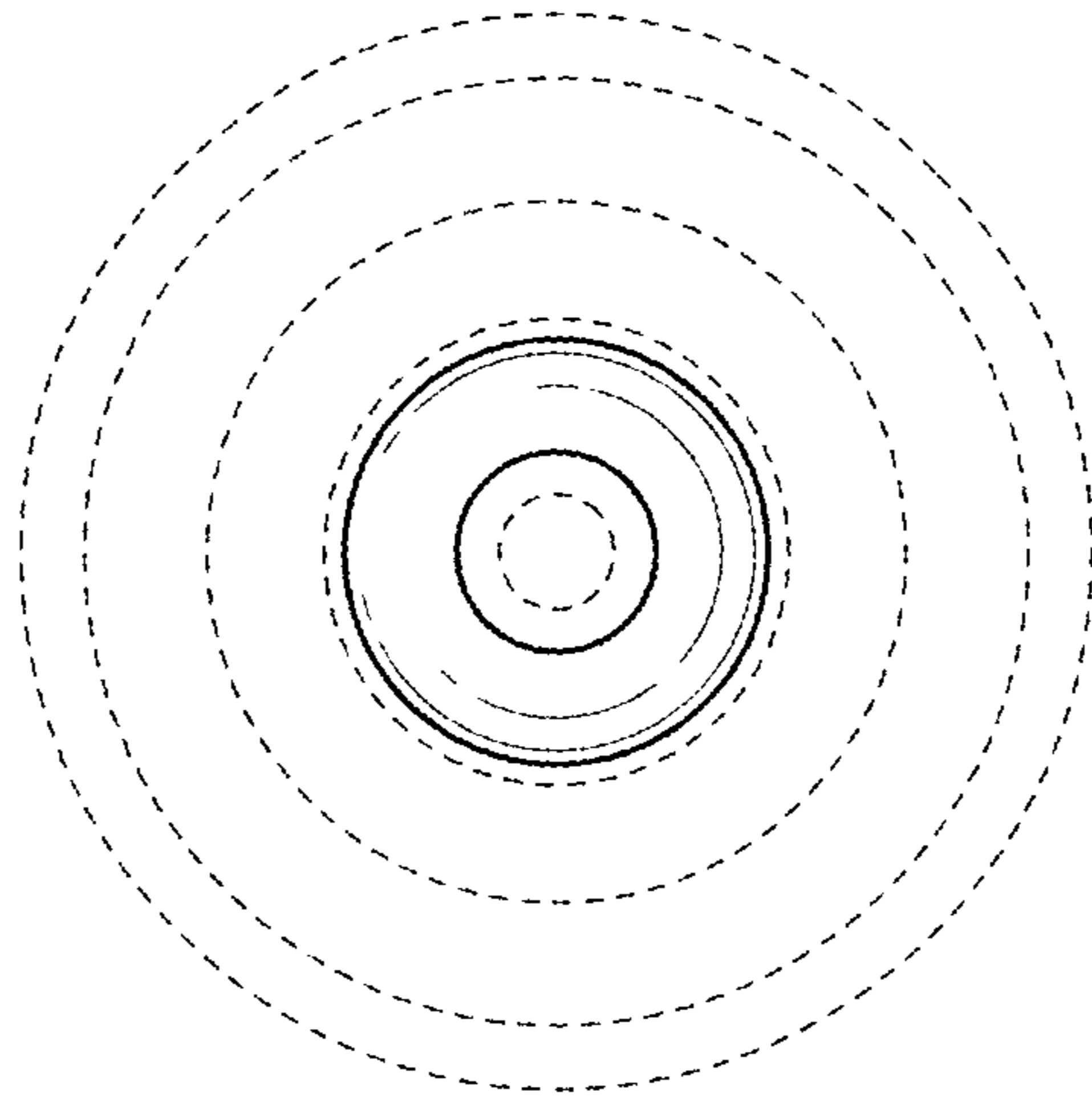


FIG. 7

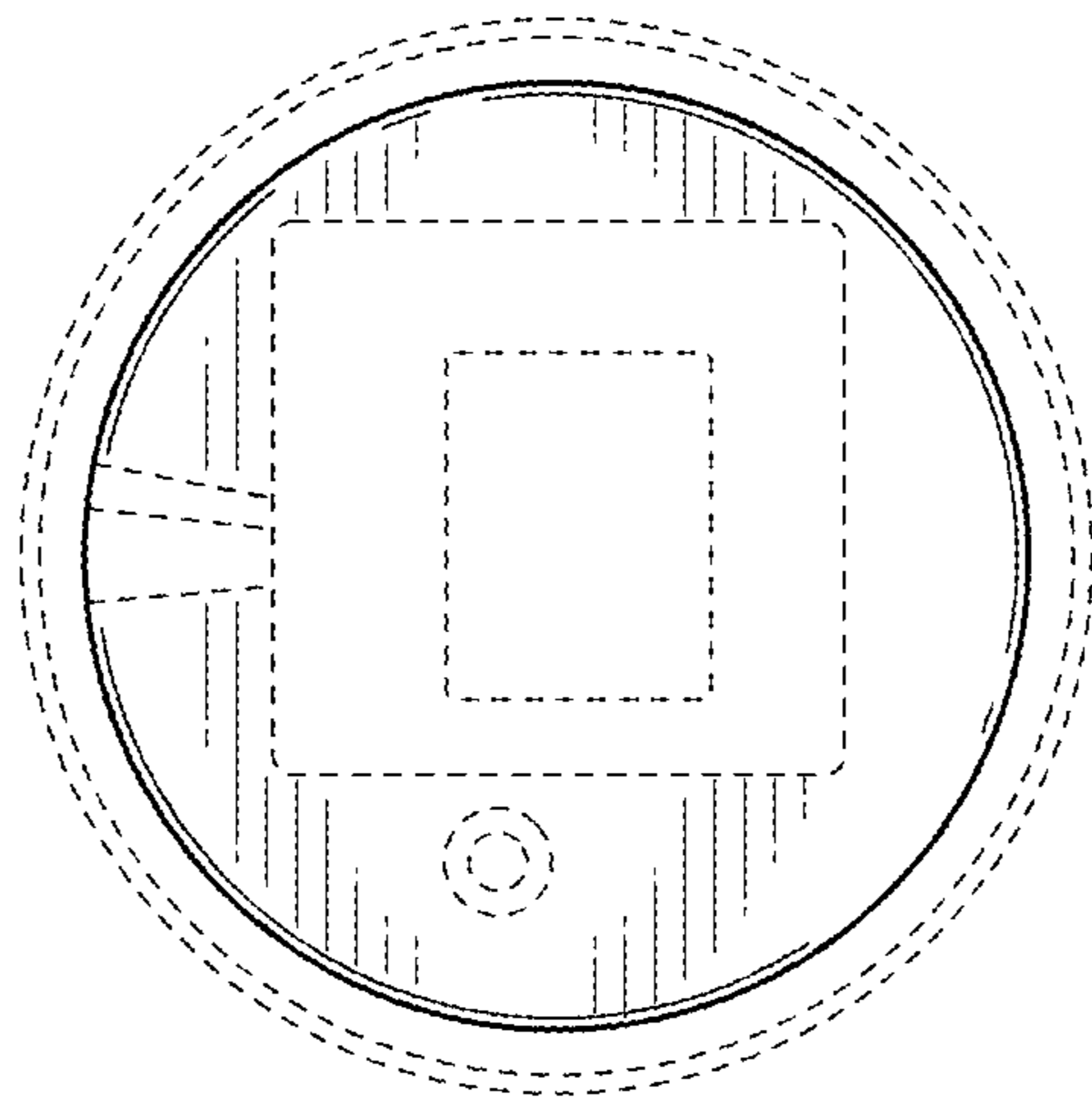


FIG. 8