



US00D956202S

(12) **United States Design Patent**
Yang

(10) **Patent No.:** **US D956,202 S**

(45) **Date of Patent:** **** Jun. 28, 2022**

(54) **FAN**

(71) Applicant: **SHENZHEN JIANKE INDUSTRIAL CO., LTD**, Shenzhen (CN)

(72) Inventor: **Jiaxin Yang**, Shenzhen (CN)

(73) Assignee: **SHENZHEN JIANKE INDUSTRIAL CO., LTD**, Shenzhen (CN)

(**) Term: **15 Years**

(21) Appl. No.: **29/741,980**

(22) Filed: **Jul. 17, 2020**

(30) **Foreign Application Priority Data**

Jun. 29, 2020 (CN) 202030338885.2

(51) **LOC (13) Cl.** **23-04**

(52) **U.S. Cl.**
USPC **D23/380**; D23/382

(58) **Field of Classification Search**
USPC D23/328, 332, 333, 335-337, 351, 352,
D23/364, 370, 378, 380, 381-383,
D23/411-414; D26/59; D14/205

CPC F04D 25/0673; F04D 25/08; F04D 25/084;
F04D 25/086; F04D 29/4226
See application file for complete search history.

(56) **References Cited**

U.S. PATENT DOCUMENTS

D800,088	S	*	10/2017	Kim	D14/205
D848,597	S	*	5/2019	Gajewski	D23/370
D851,060	S	*	6/2019	Lu	D14/205
D851,061	S	*	6/2019	Zeng	D14/205
D862,679	S	*	10/2019	Zhou	D23/380
D903,087	S	*	11/2020	Zhou	D23/370
D908,857	S	*	1/2021	Cao	D23/380
D936,818	S	*	11/2021	Xu	D23/382
2020/0187574	A1	*	6/2020	Te Hsiang	F04D 25/0673
2021/0324865	A1	*	10/2021	Park	F04D 25/166

OTHER PUBLICATIONS

Upgraded Version Portable Neck Fan, date first available Jul. 18, 2019, site visited Nov. 4, 2021, available from internet <https://www.amazon.com/scurry-Upgraded-Portable-Aromatherapy-Headphone/dp/B07VHP682L/ref=sr_1_8?keywords=neck%2Bfan&pd_rd_r=34497420-c3d1-4725-a534-811c87f26917&pd_rd_w=OXHjm&pd_rd_wg=MBHc3&pf_rd_p=68a5e6be-6e8f-465c-9c8b-a91e222356db&pf_rd_r=9FH0DHH79VHXW2EGCYHF&qid=1636043078&sr=8-8&th=1>.*

Sunnylela Hand Free Personal Fan, date first available Aug. 16, 2019, site visited Nov. 4, 2021, available from internet <<https://www.amazon.com/Sunnylela-Personal-Rechargeable-Adjustable-Traveling/dp/B07PHQCHBV?th=1>>.*

* cited by examiner

Primary Examiner — Sharon S Oum

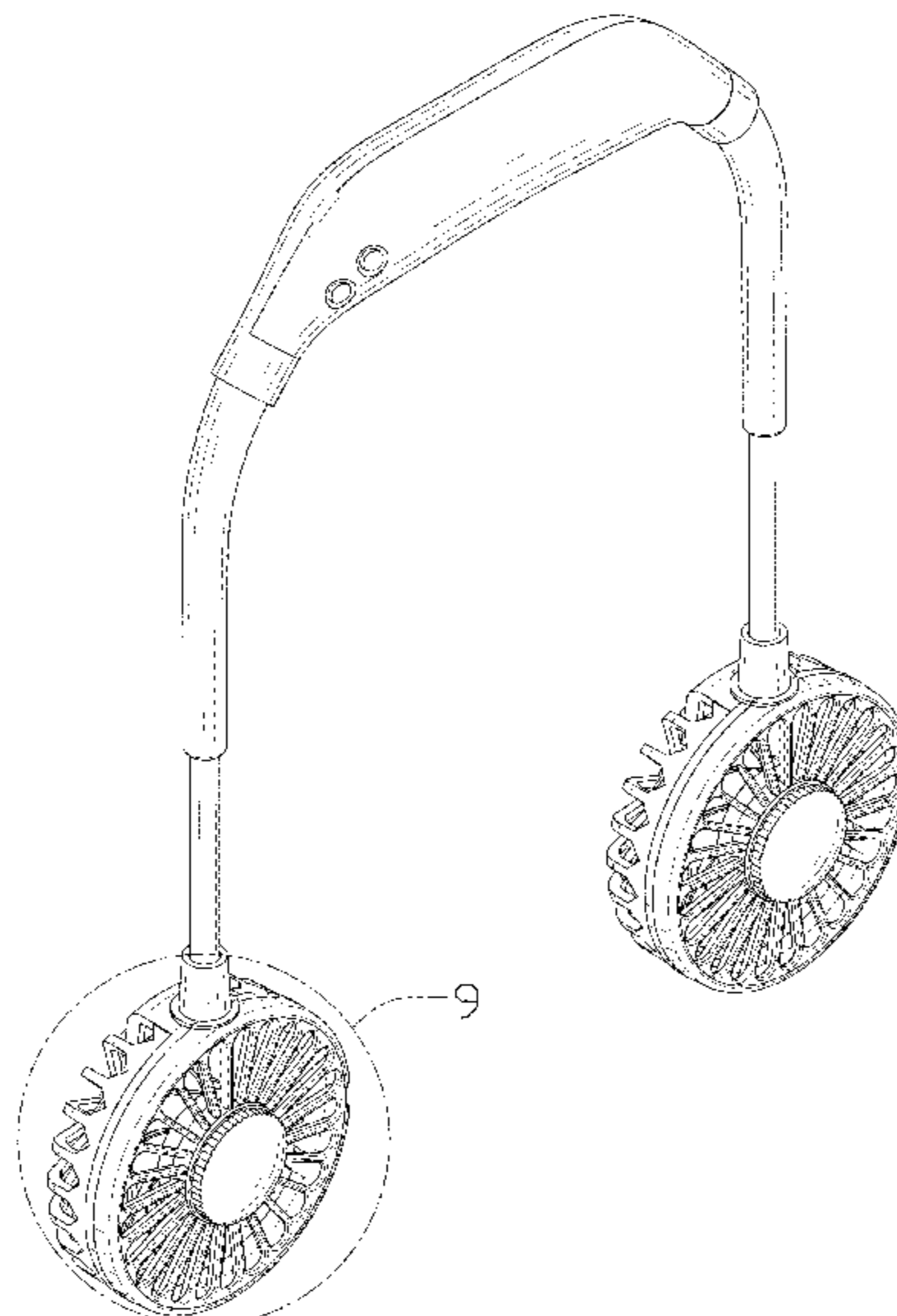
(57) **CLAIM**

The ornamental design for a fan, as shown and described.

DESCRIPTION

FIG. 1 is a perspective view of a fan showing my new design;
FIG. 2 is another perspective view thereof;
FIG. 3 is a front elevational view thereof;
FIG. 4 is a rear elevational view thereof;
FIG. 5 is a left side elevational view thereof;
FIG. 6 is a right side elevational view thereof;
FIG. 7 is a top plan view thereof;
FIG. 8 is a bottom plan view thereof; and,
FIG. 9 is an enlarged view of portion 9 shown in FIG. 1.
The broken lines in the drawings depict portions of the fan that form no part of the claimed design. The dot-dash broken lines encircling a portion of the fan in FIG. 1 and FIG. 9 form no part of the claimed design.

1 Claim, 9 Drawing Sheets



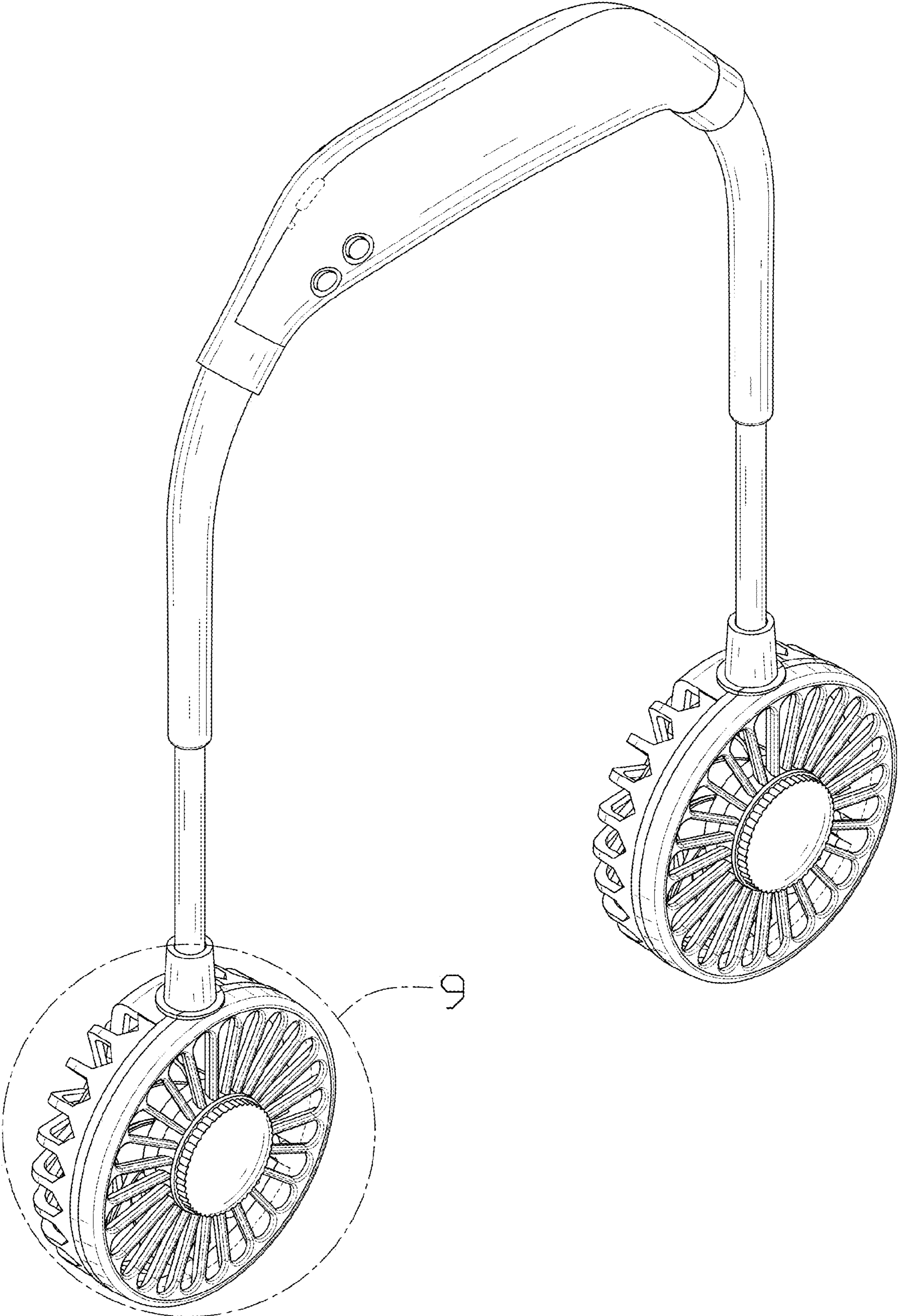


FIG. 1

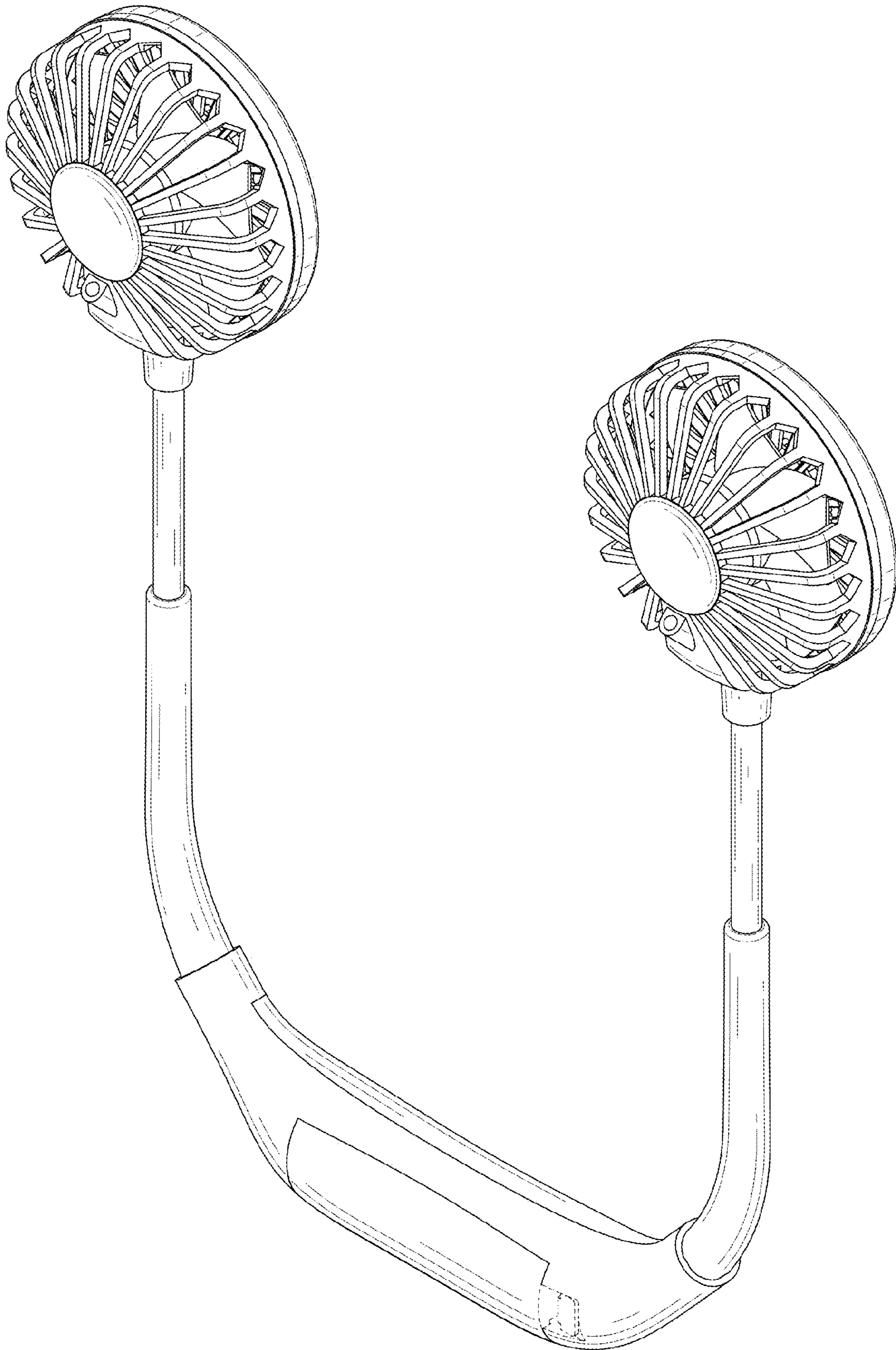


FIG. 2



FIG. 3

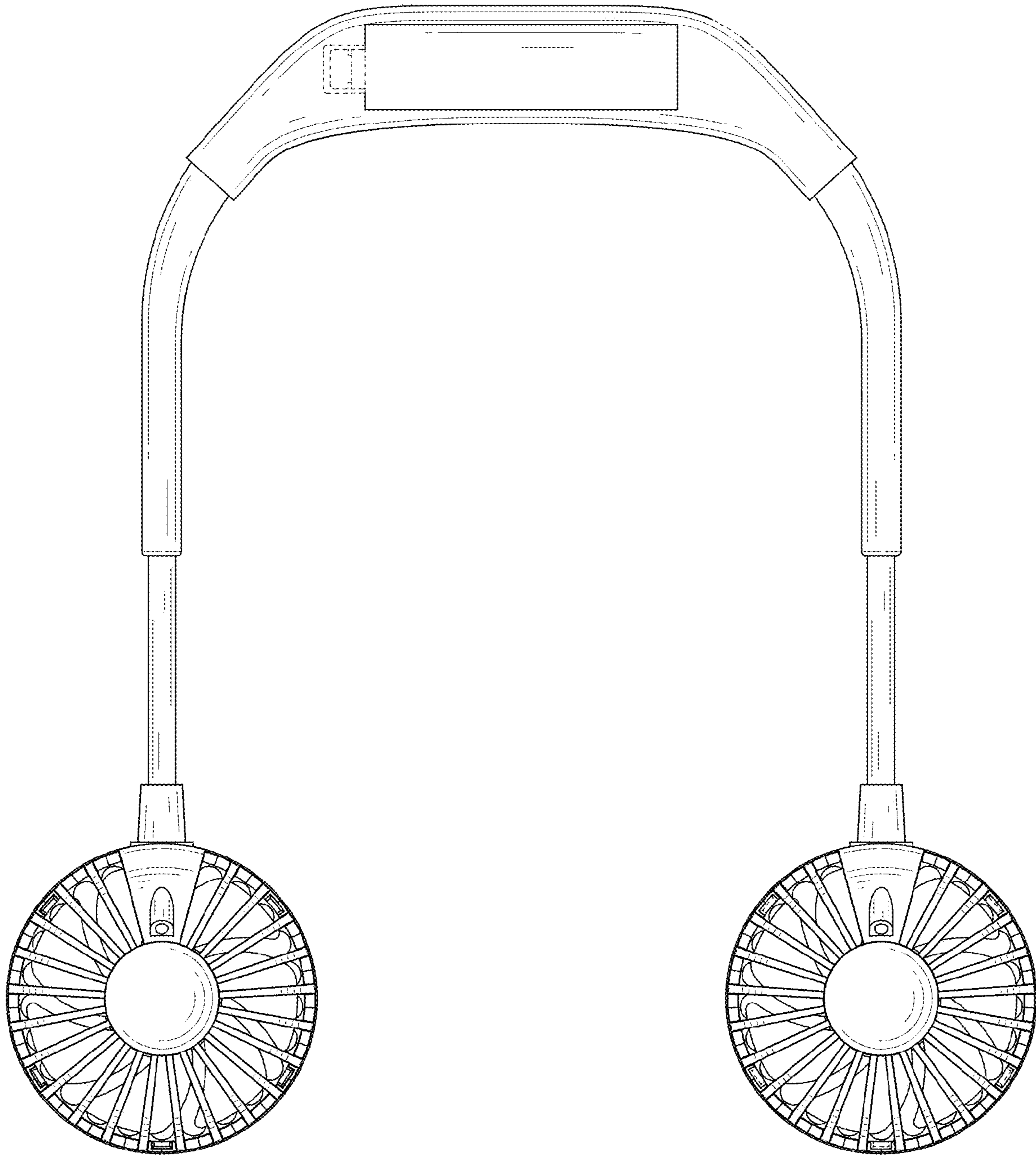


FIG. 4

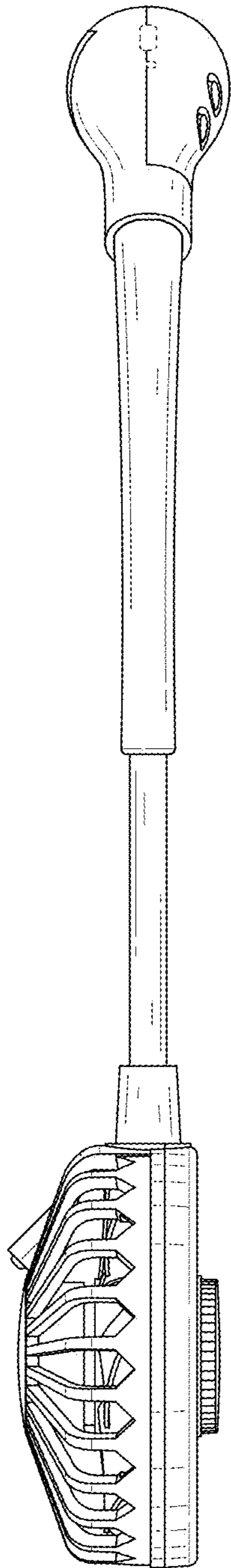


FIG. 5

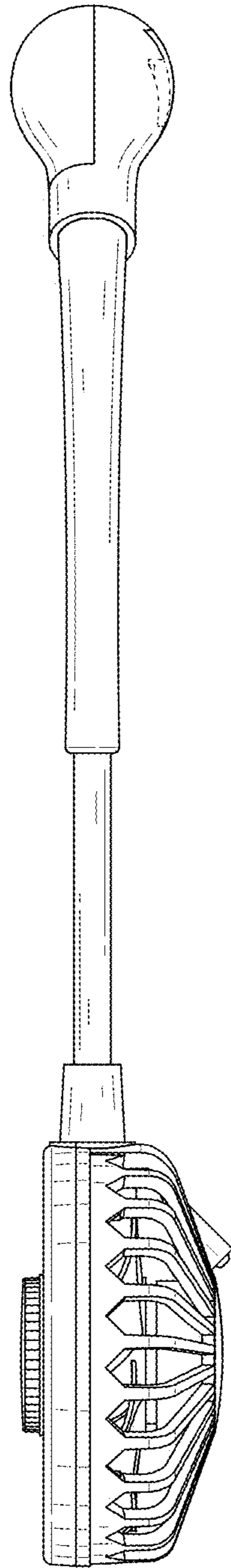


FIG. 6

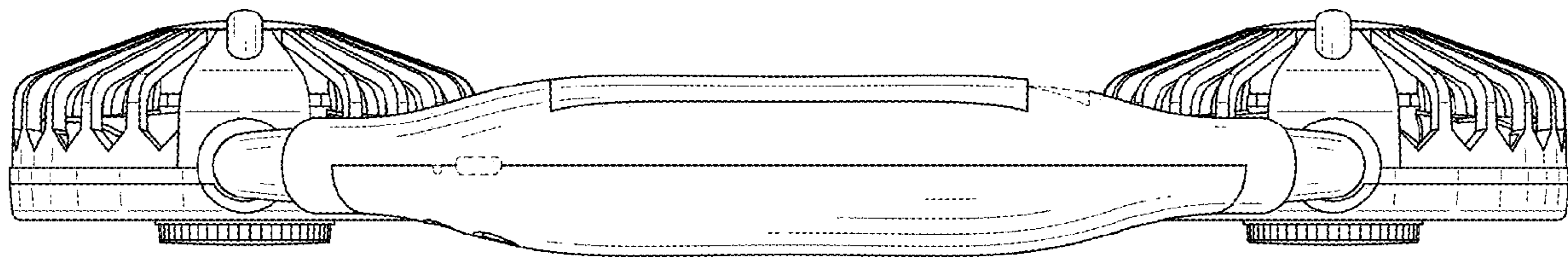


FIG. 7

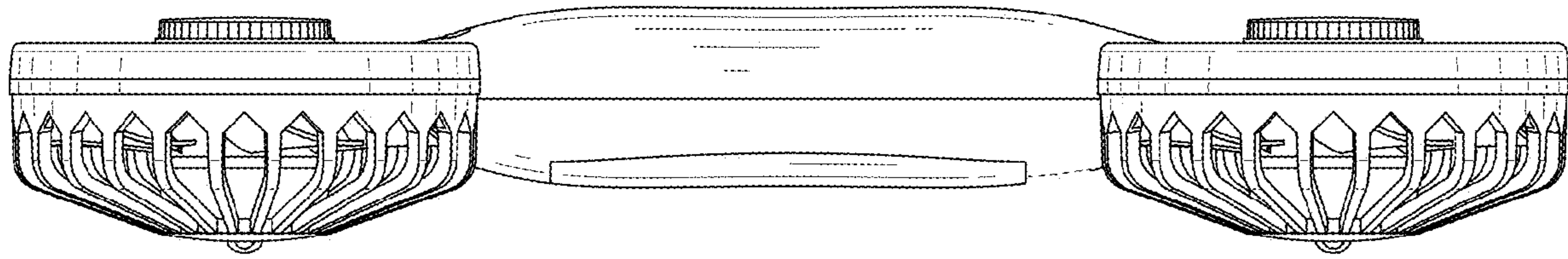


FIG. 8

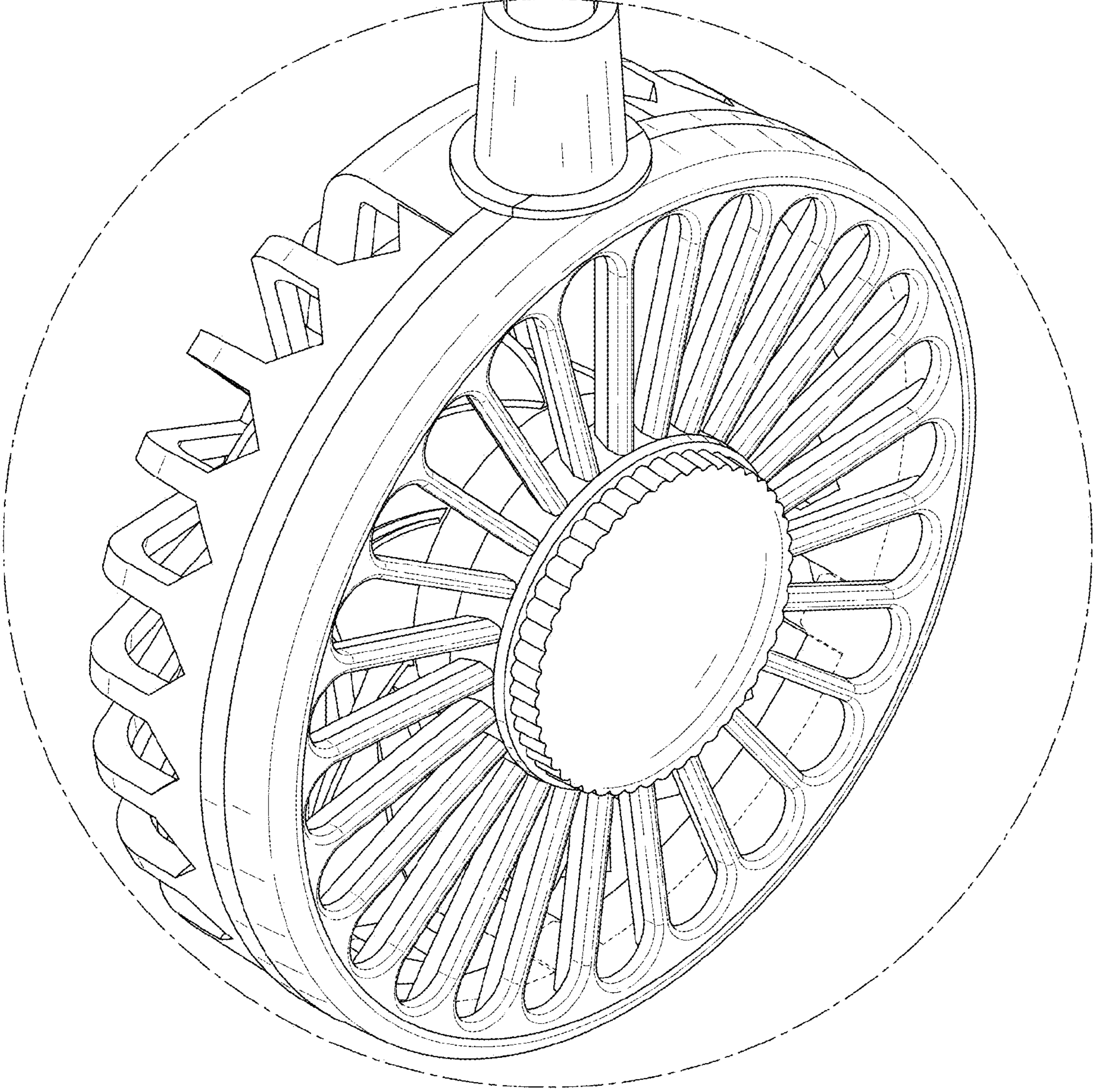


FIG. 9