



US00D956200S

(12) **United States Design Patent**
Cui et al.

(10) **Patent No.:** **US D956,200 S**
(45) **Date of Patent:** **** Jun. 28, 2022**

(54) **AIR QUALITY CONTROLLER**
(71) Applicant: **Shenzhen Envicool Information Technology Co., Ltd., Shenzhen (CN)**
(72) Inventors: **Qi Cui, Shenzhen (CN); Feihu Liu, Shenzhen (CN); Shusheng Chen, Shenzhen (CN)**
(73) Assignee: **SHENZHEN ENVICOOL INFORMATION TECHNOLOGY CO., LTD., Shenzhen (CN)**

D760,886 S * 7/2016 Peterson A61L 9/042
D23/366
D890,897 S * 7/2020 Ueda D23/355
D890,900 S * 7/2020 Bink D15/5
D893,695 S * 8/2020 Gale D23/365
D896,944 S * 9/2020 Hwang D23/365
D908,856 S * 1/2021 Graus Ferrer D23/366
D940,289 S * 1/2022 Hederstierna D23/351
2008/0159907 A1 * 7/2008 Joshi A61L 2/24
422/5
2010/0095960 A1 * 4/2010 Kao B01D 53/0415
96/108

* cited by examiner

(**) Term: **15 Years**
(21) Appl. No.: **29/772,241**
(22) Filed: **Feb. 28, 2021**

Primary Examiner — David G Muller
(74) *Attorney, Agent, or Firm* — Andrew C. Cheng

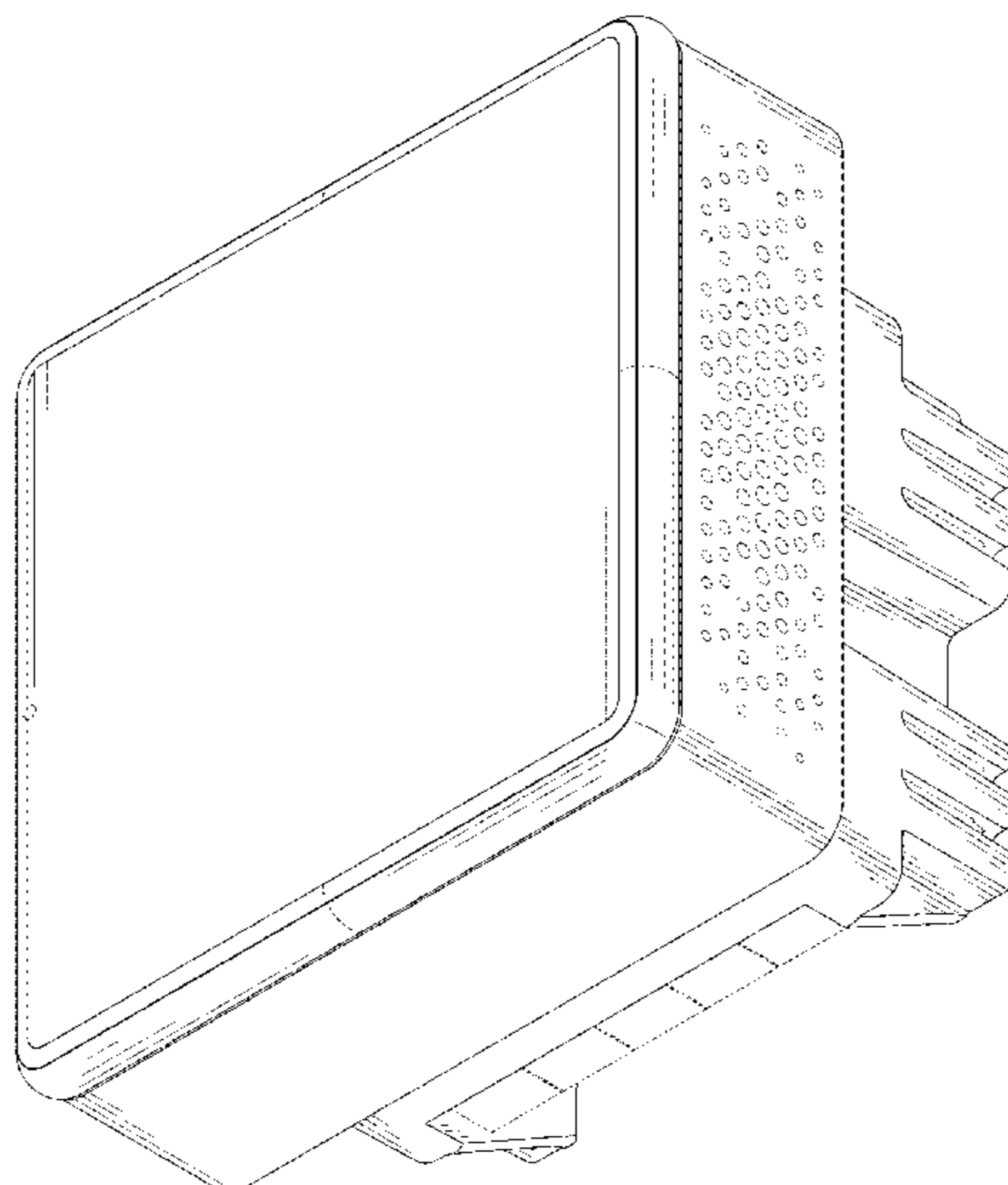
(30) **Foreign Application Priority Data**
Sep. 1, 2020 (CN) 202030511853.8
(51) **LOC (13) Cl.** **23-04**
(52) **U.S. Cl.**
USPC **D23/364**
(58) **Field of Classification Search**
USPC D23/355-366, 352, 369, 332, 333, 335,
D23/336, 342, 351; 422/120, 122;
55/356, 473; 96/97; 261/DIG. 17,
261/DIG. 65, DIG. 88, DIG. 31
CPC .. A61L 9/16; A61L 9/22; B01D 47/00; B01D
47/027; B01D 2221/02; B01D 2259/4508;
B03C 3/155; B03C 3/368; F24F 3/16;
F24F 13/20
See application file for complete search history.

(57) **CLAIM**
We claim the ornamental design for an air quality controller, as shown and described.

(56) **References Cited**
U.S. PATENT DOCUMENTS
D742,497 S * 11/2015 D'Amico D23/366
D748,769 S * 2/2016 Hanna D23/366
D749,203 S * 2/2016 D'Amico D23/366

DESCRIPTION
FIG. 1 is a bottom, front and right side perspective view of an air quality controller according to our new design; FIG. 2 is a top, rear and left side perspective view of the air quality controller of FIG. 1. FIG. 3 is a front elevational view of the air quality controller of FIG. 1. FIG. 4 is a rear elevational view of the air quality controller of FIG. 1; FIG. 5 is a left side view of the air quality controller of FIG. 1; FIG. 6 is a right side view of the air quality controller of FIG. 1; FIG. 7 is a top plan view of the air quality controller of FIG. 1; and, FIG. 8 is a bottom plan view of the air quality controller of FIG. 1. The broken lines depict portions of the air quality controller in which the design is embodied that form no part of the claimed design.

1 Claim, 7 Drawing Sheets



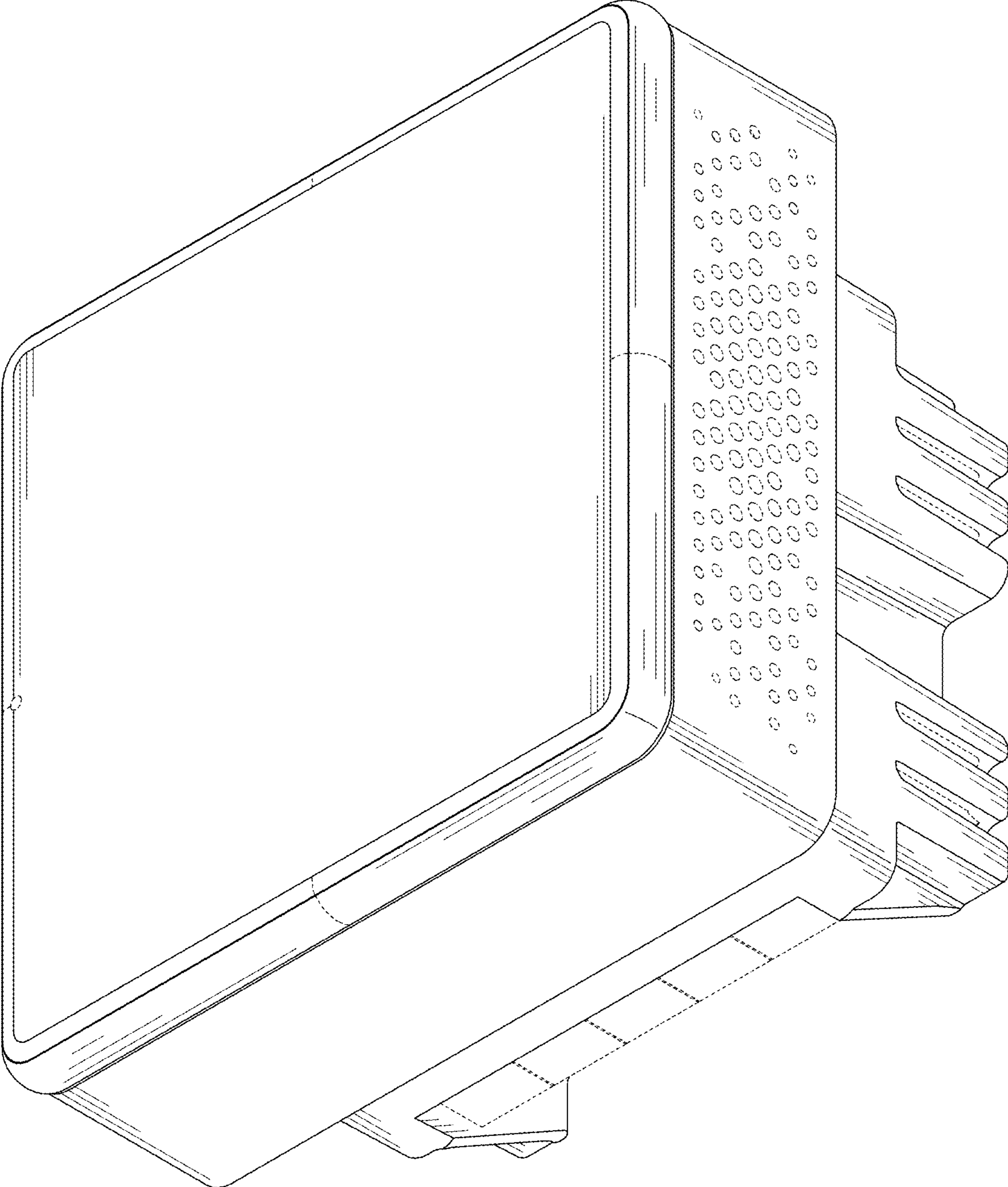


FIG. 1

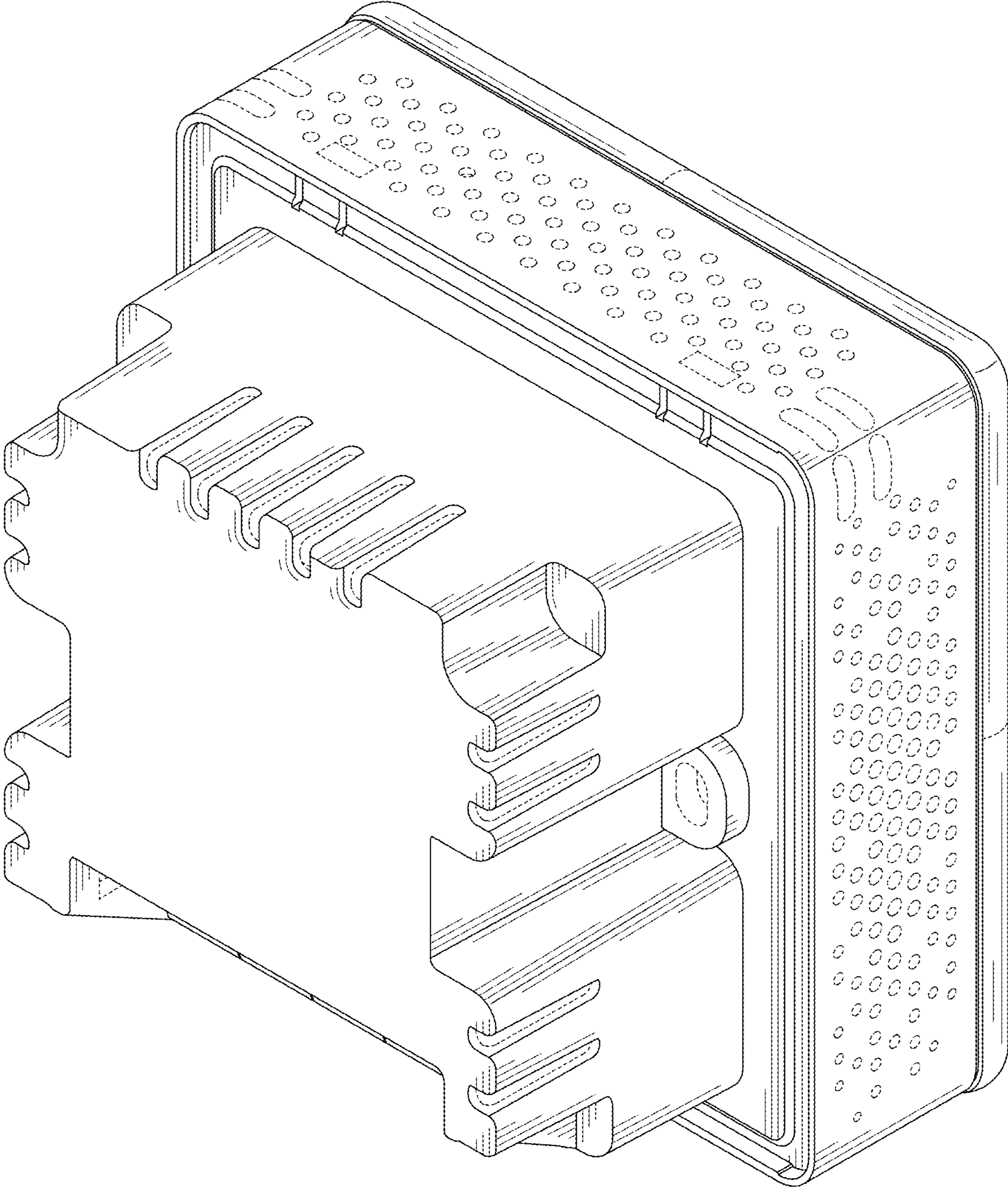


FIG. 2

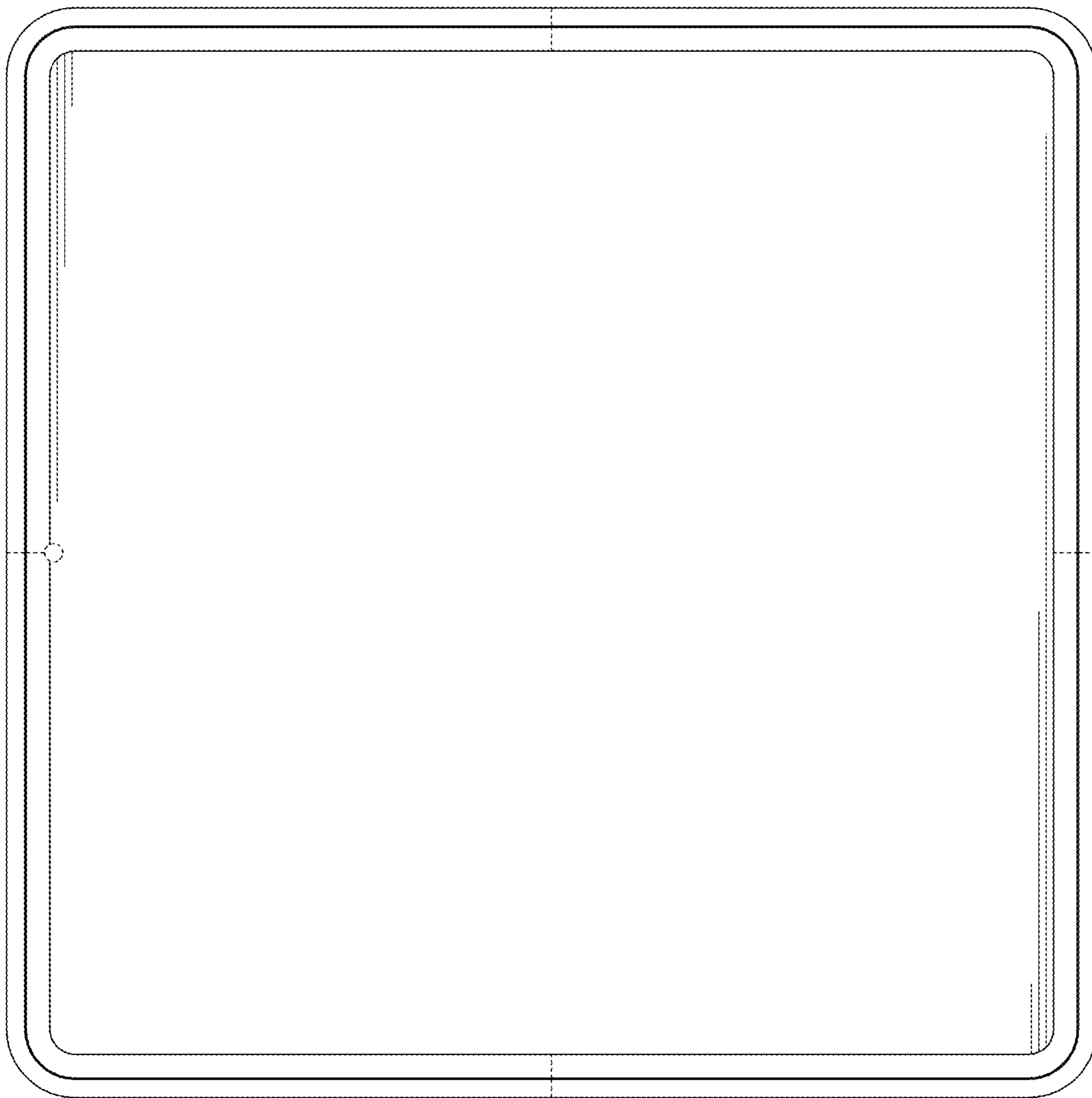


FIG. 3

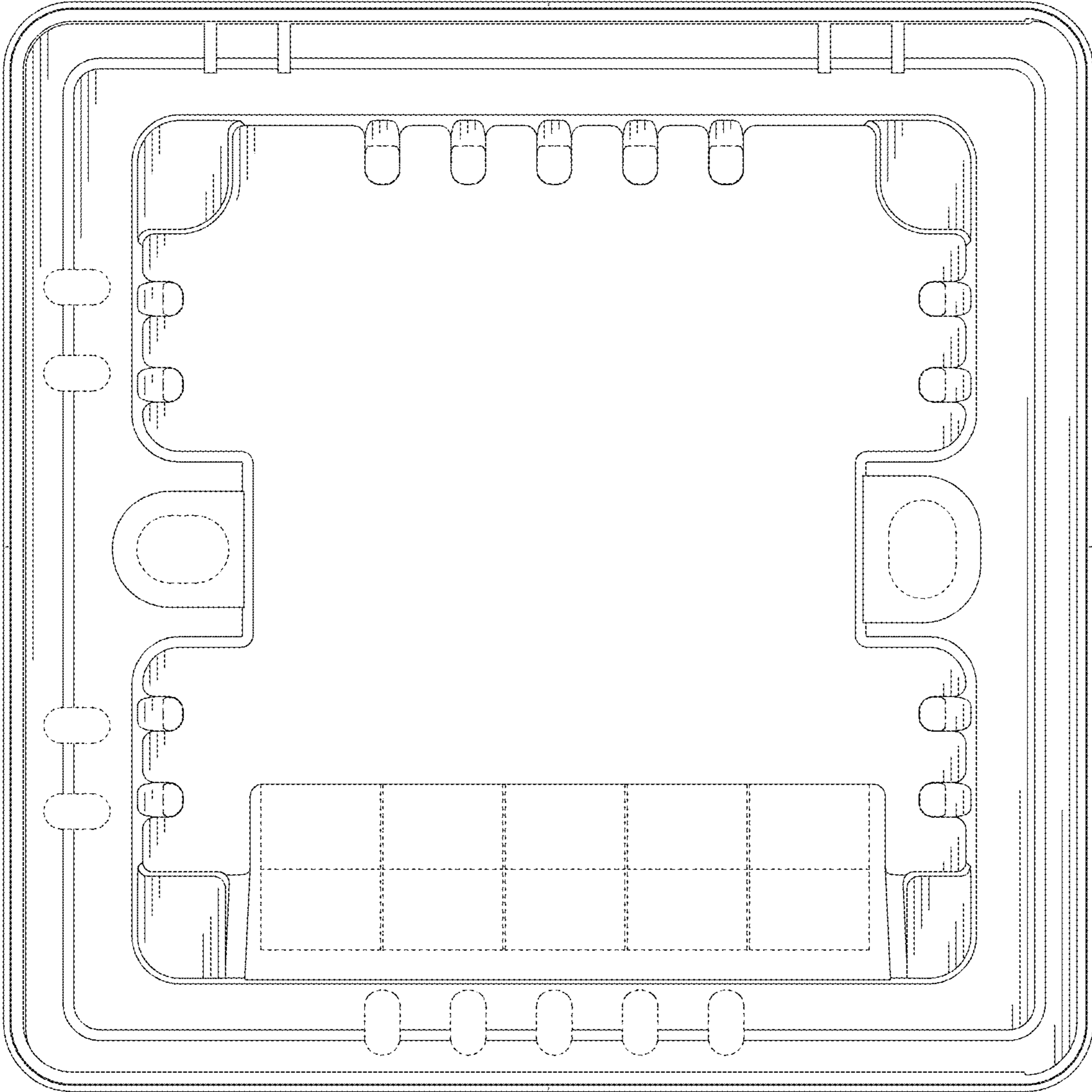


FIG. 4

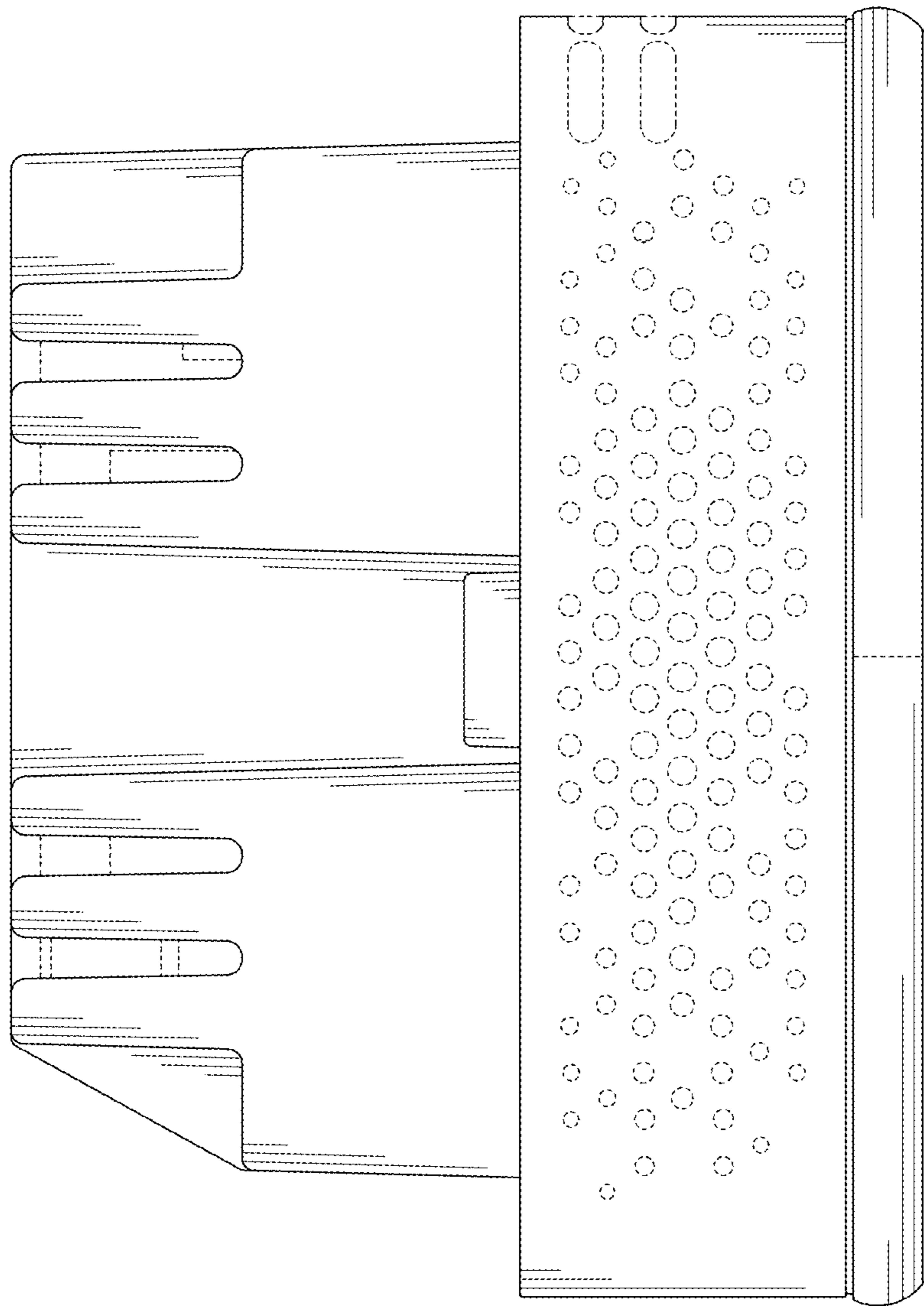


FIG. 5

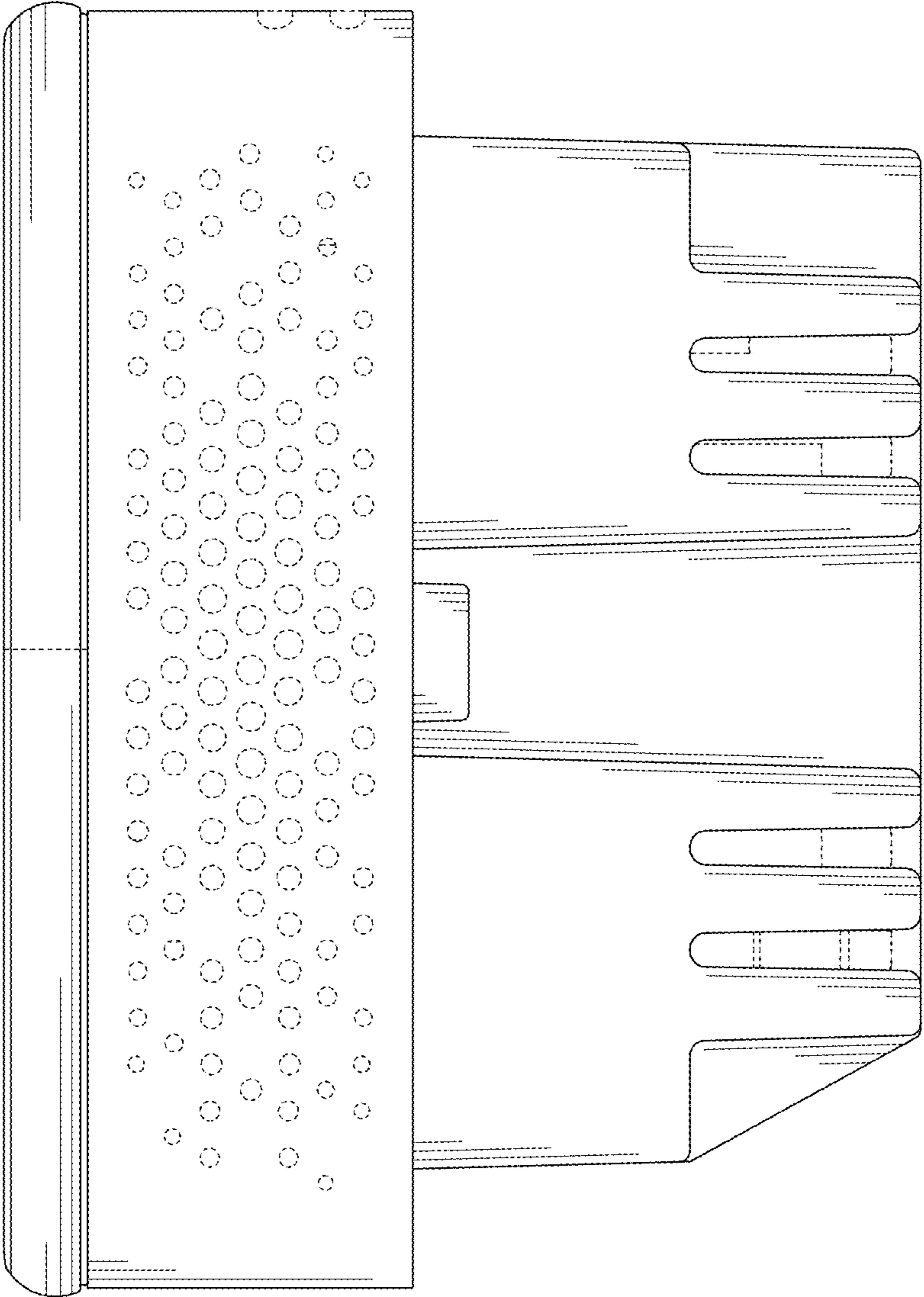


FIG. 6

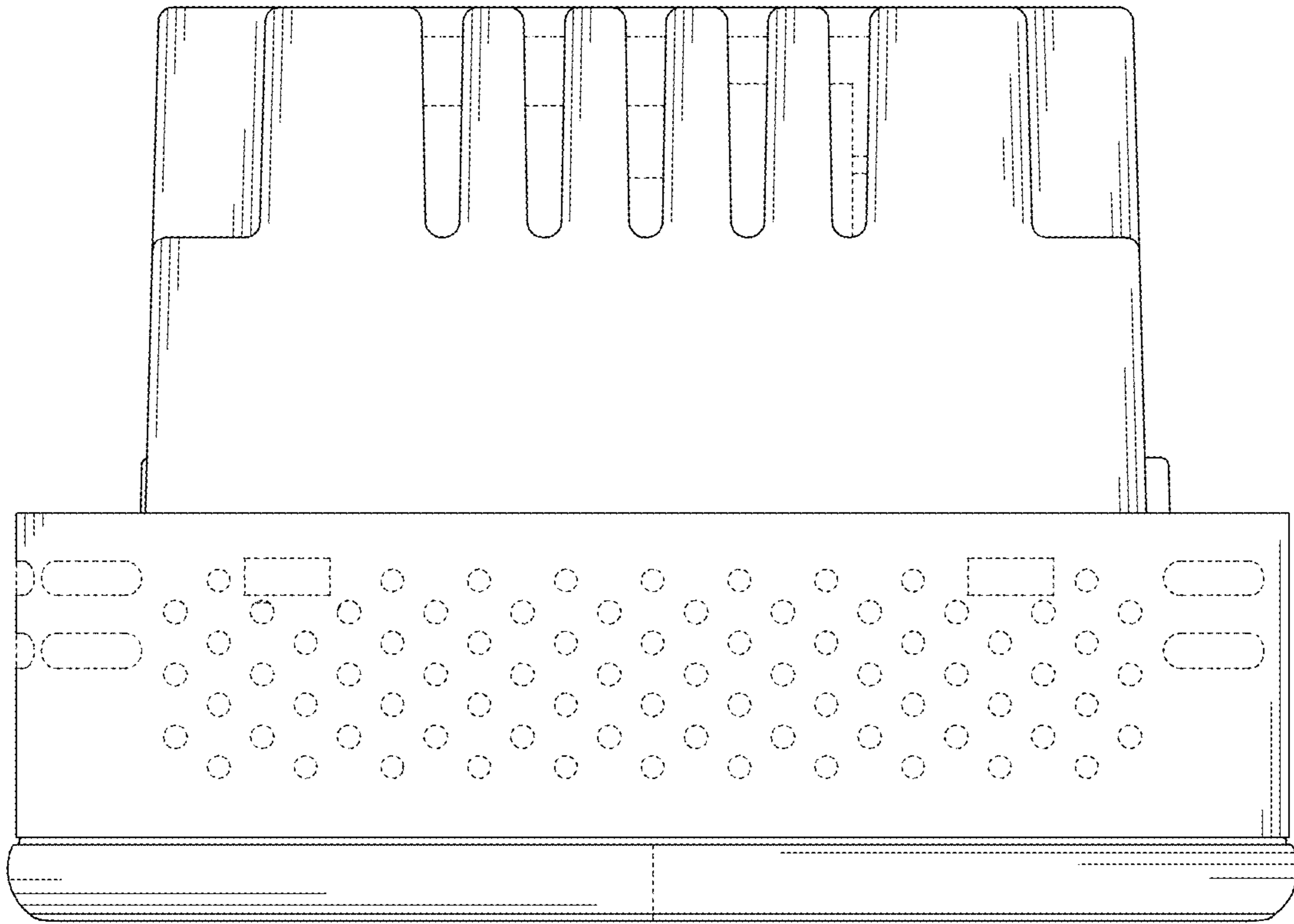


FIG. 7

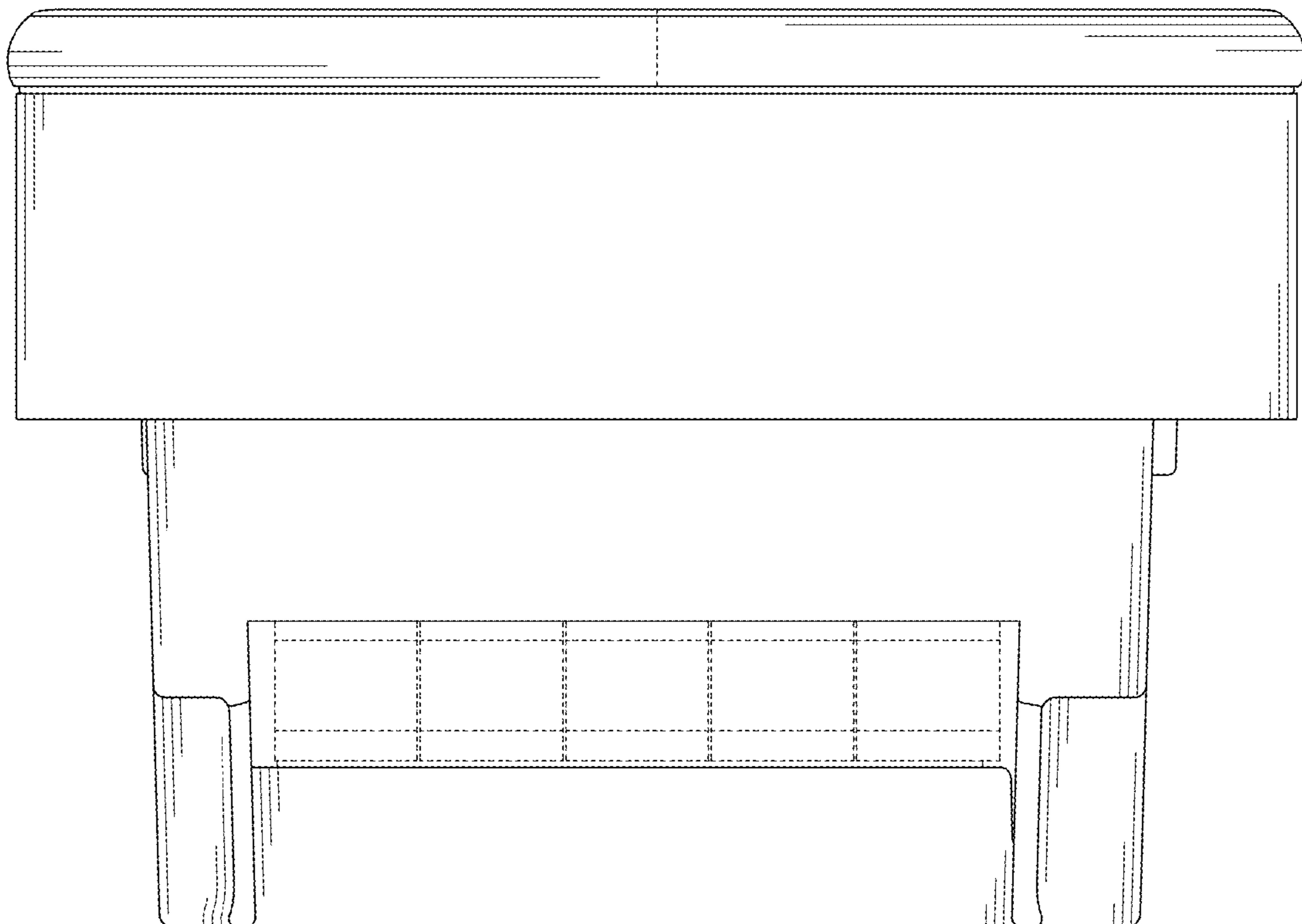


FIG. 8