



US00D956199S

(12) **United States Design Patent**
Zuo et al.

(10) **Patent No.:** **US D956,199 S**
(45) **Date of Patent:** **** Jun. 28, 2022**

(54) **AIR PURIFIER**

(71) Applicant: **Dongguan JingNuo Environment Science and Technology Inc.,**
Guangdong (CN)

(72) Inventors: **Fei Zuo**, Dongguan (CN); **Rui Chen**,
Dongguan (CN); **Tianwen Wu**,
Dongguan (CN)

(**) Term: **15 Years**

(21) Appl. No.: **29/767,802**

(22) Filed: **Jan. 26, 2021**

(30) **Foreign Application Priority Data**

Sep. 30, 2020 (CN) 202030592465.7

(51) **LOC (13) Cl.** **23-04**

(52) **U.S. Cl.**
USPC **D23/364**

(58) **Field of Classification Search**

USPC D23/355-366, 352, 369, 332, 333, 335,
D23/336, 342, 351; 422/120, 122;
55/356, 473, 504; 96/97; 261/DIG. 17,
261/DIG. 65, DIG. 88, DIG. 31
CPC .. A61L 9/16; A61L 9/22; B01D 47/00; B01D
47/027; B01D 2221/02; B01D 2259/4508;
B03C 3/155; B03C 3/368; F24F 3/16;
F24F 13/20; F24F 13/28

See application file for complete search history.

(56) **References Cited**

U.S. PATENT DOCUMENTS

D835,765 S * 12/2018 Chen D23/364
D852,344 S * 6/2019 Hua A61L 9/16
D23/364

D917,683 S * 4/2021 Xie D23/359
D918,371 S * 5/2021 Zeng D23/364
D925,716 S * 7/2021 Qin D23/356
D938,566 S * 12/2021 Yang D23/364
D941,979 S * 1/2022 Luo D23/359
D942,602 S * 2/2022 Yu D23/356
D942,604 S * 2/2022 Yang D23/364
D942,605 S * 2/2022 Yu D23/364
D943,070 S * 2/2022 Zhou D23/356
D943,072 S * 2/2022 Hu D23/356
D943,074 S * 2/2022 Huang D23/356

* cited by examiner

Primary Examiner — David G Muller

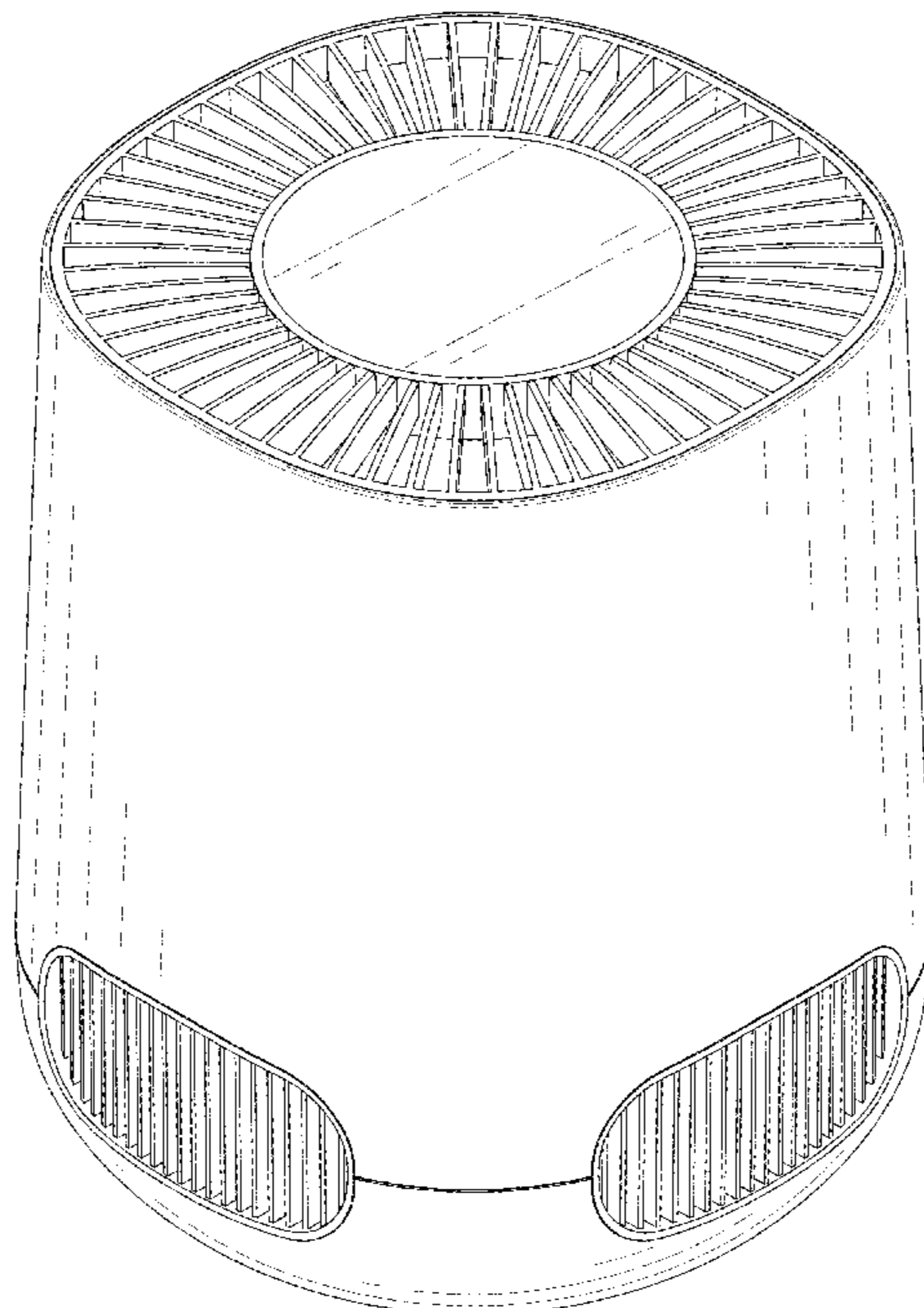
(57) **CLAIM**

The ornamental design for an air purifier, as shown and described.

DESCRIPTION

FIG. 1 is a front and top perspective view of an air purifier, showing our new design;
FIG. 2 is a rear and bottom perspective view thereof;
FIG. 3 is a front elevation view thereof;
FIG. 4 is a rear elevation view thereof;
FIG. 5 is a left side elevation view thereof;
FIG. 6 is a right side elevation view thereof;
FIG. 7 is a top plan view thereof; and,
FIG. 8 is a bottom plan view thereof.
The broken lines in the figures illustrate portions of the air purifier that form no part of the claimed design.

1 Claim, 8 Drawing Sheets



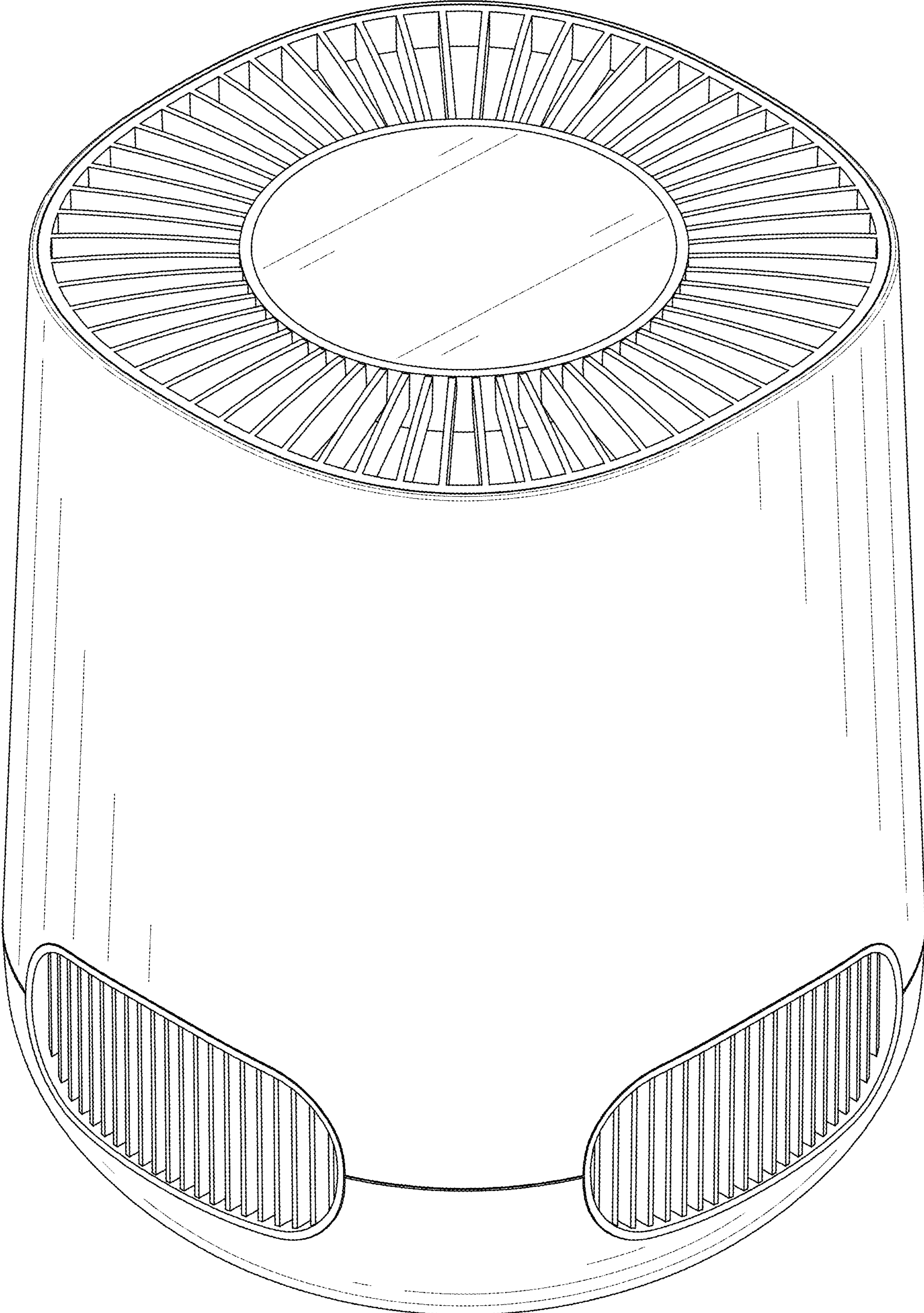


FIG. 1

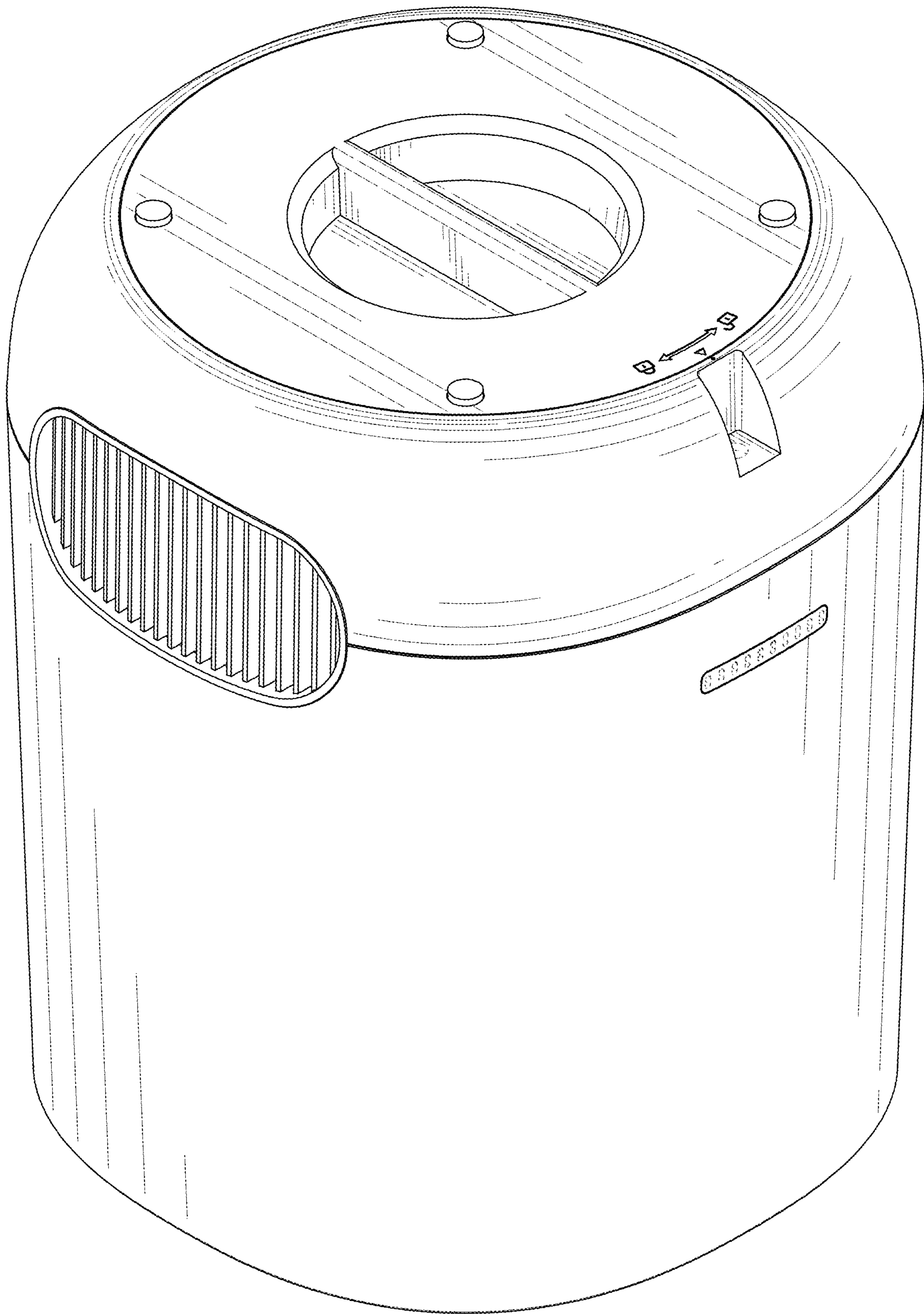


FIG. 2

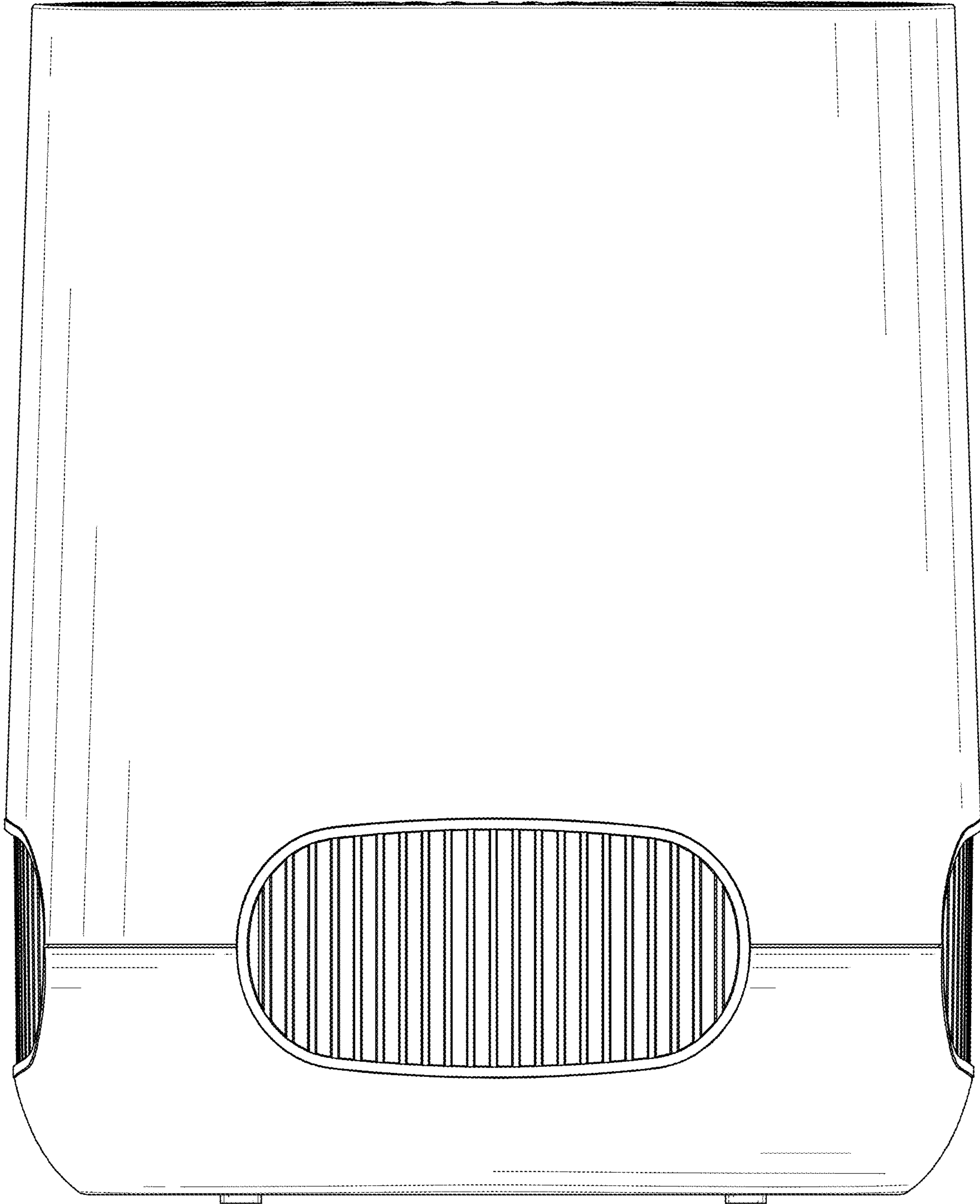


FIG. 3

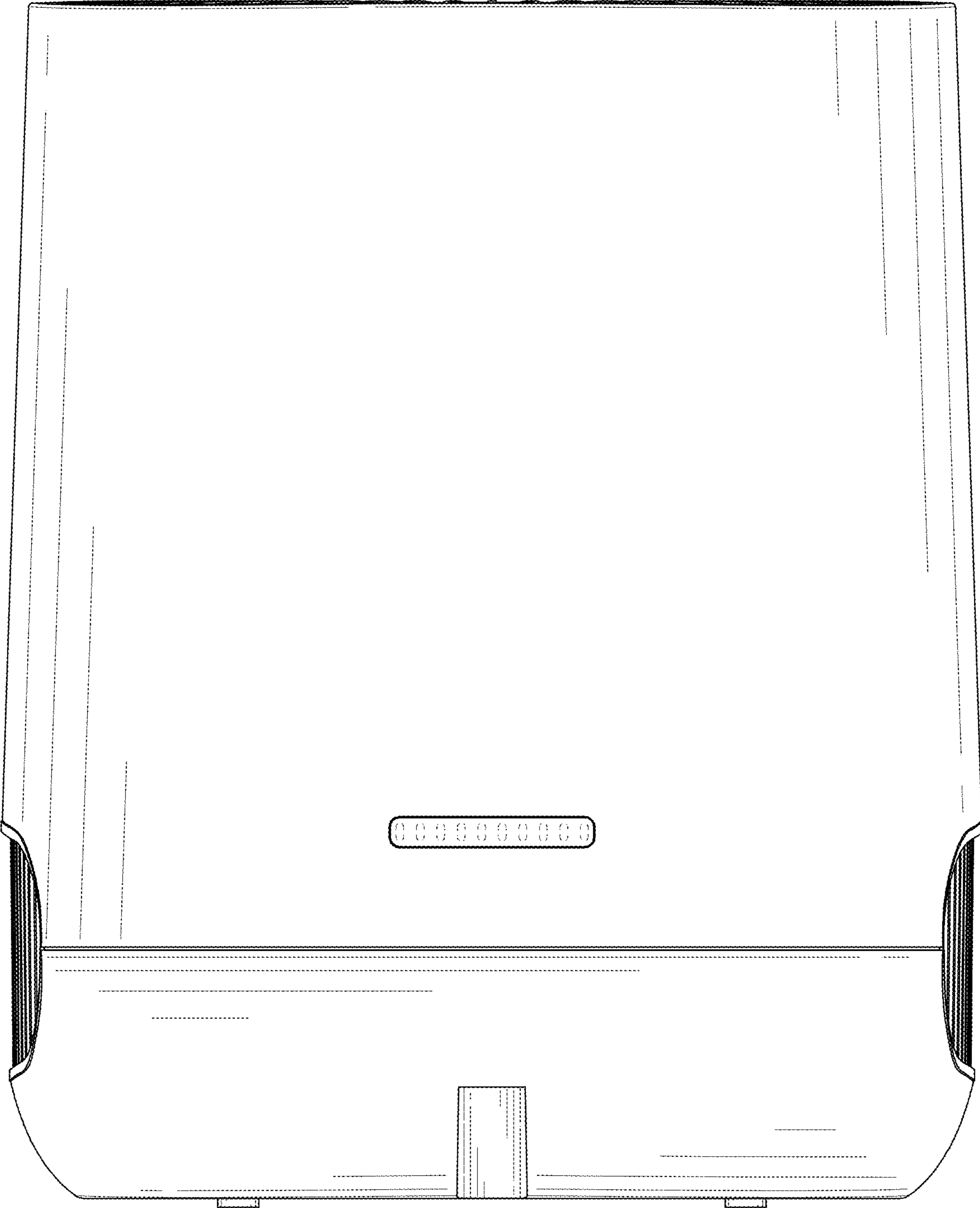


FIG. 4

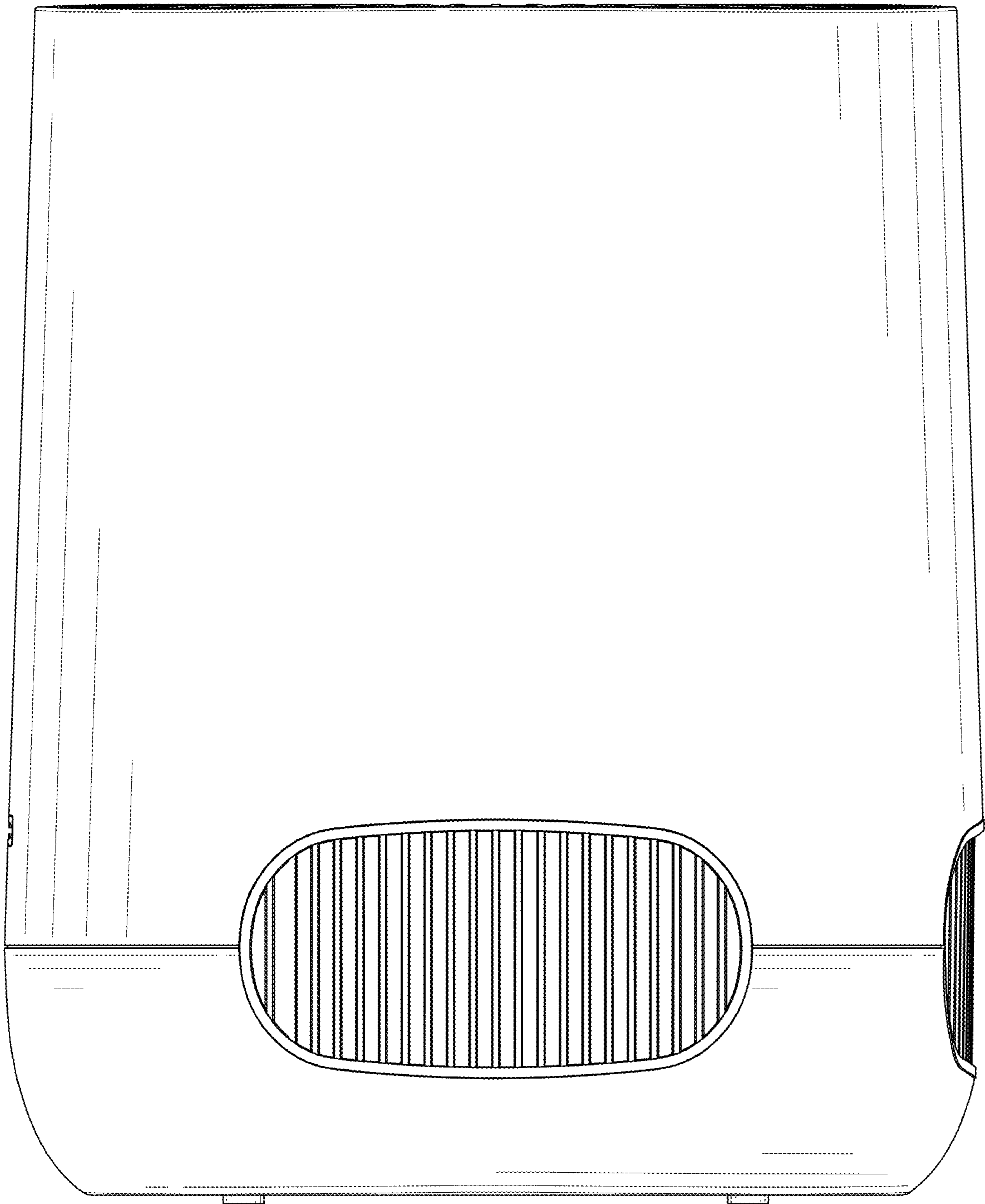


FIG. 5

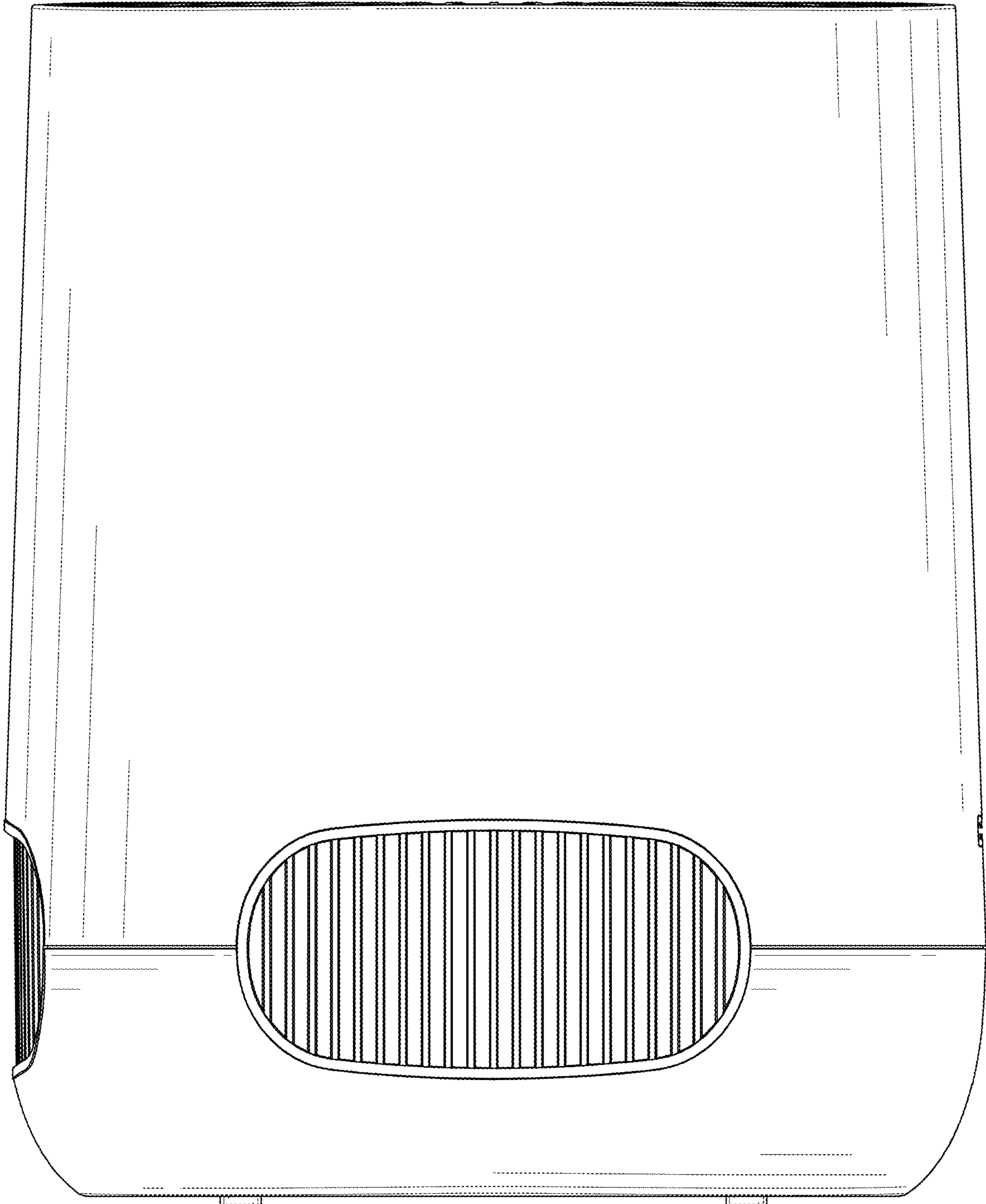


FIG. 6

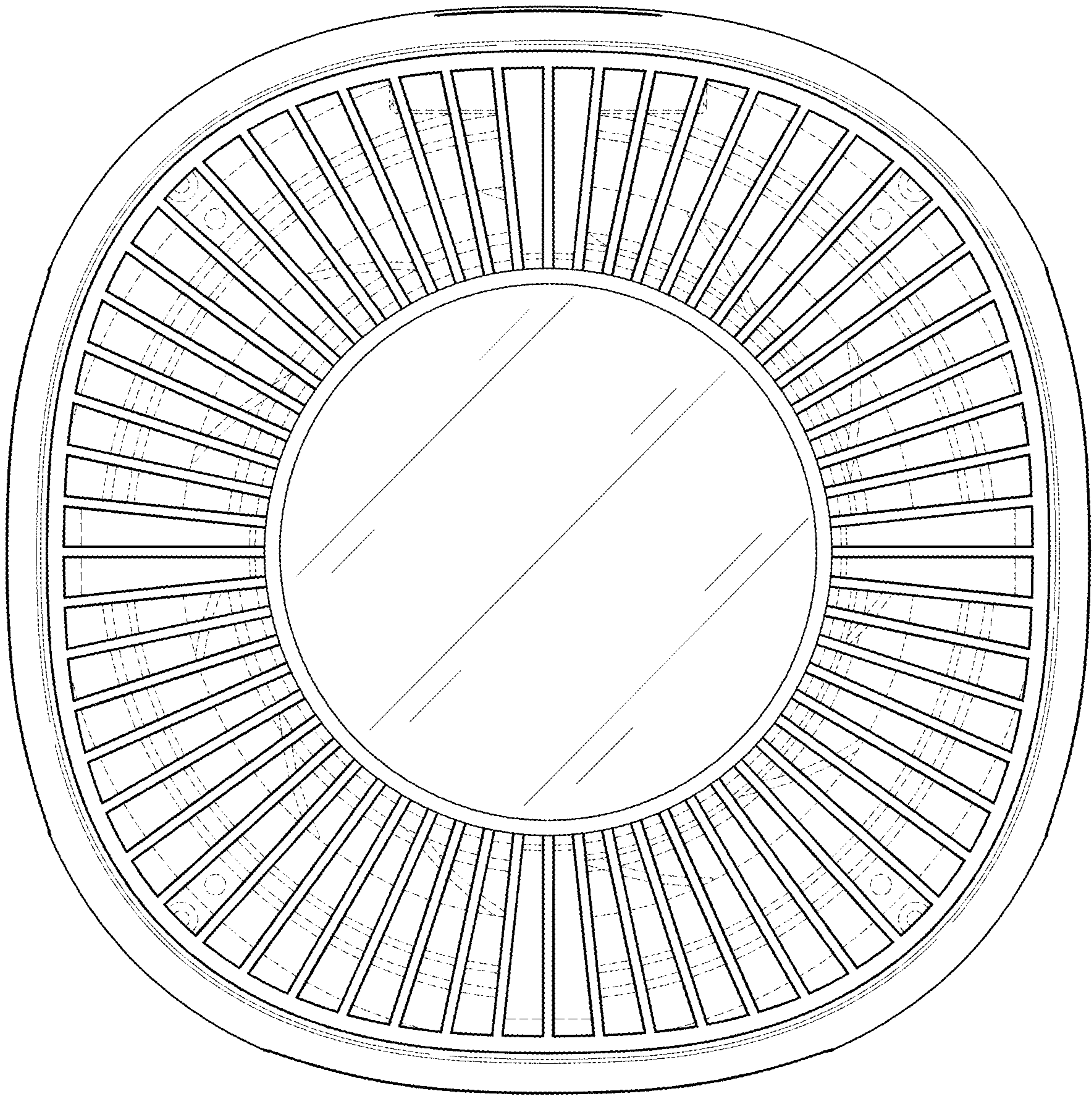


FIG. 7

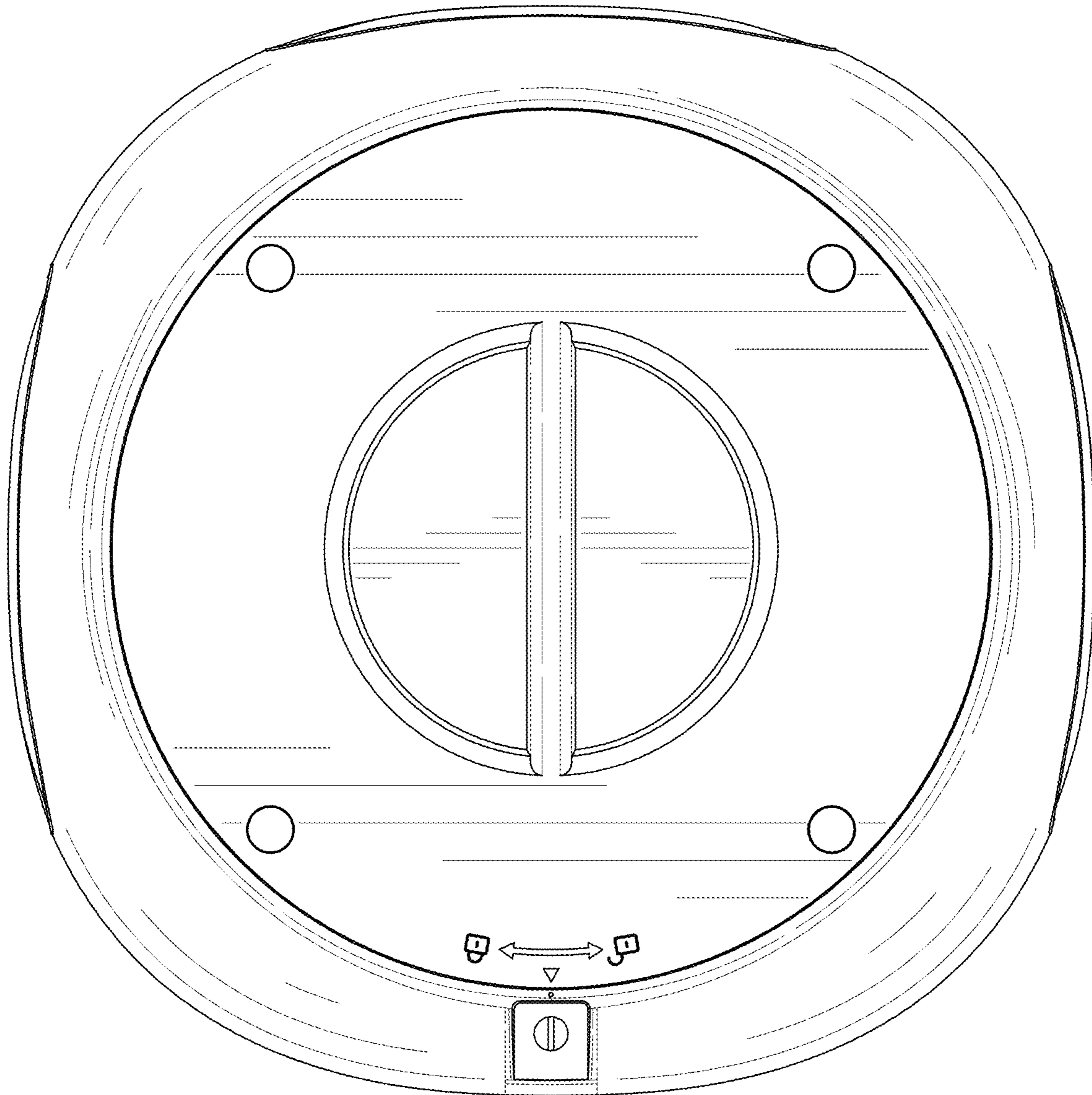


FIG. 8