



US00D956198S

(12) **United States Design Patent**
Zuo et al.

(10) **Patent No.:** **US D956,198 S**

(45) **Date of Patent:** **** Jun. 28, 2022**

(54) **AIR PURIFIER**

(71) Applicant: **Dongguan JingNuo Environment Science and Technology Inc.,**
Guangdong (CN)

(72) Inventors: **Fei Zuo**, Dongguan (CN); **Rui Chen**,
Dongguan (CN); **Tianwen Wu**,
Dongguan (CN)

(**) Term: **15 Years**

(21) Appl. No.: **29/767,631**

(22) Filed: **Jan. 25, 2021**

(30) **Foreign Application Priority Data**

Dec. 17, 2020 (CN) 202030779629.7

(51) **LOC (13) Cl.** **23-04**

(52) **U.S. Cl.**
USPC **D23/364**

(58) **Field of Classification Search**

USPC D23/355–366, 352, 369, 332, 333, 335,
D23/336, 342, 351; 422/120, 122;
55/356, 473, 504; 96/97; 261/DIG. 17,
261/DIG. 65, DIG. 88, DIG. 31
CPC .. A61L 9/16; A61L 9/22; B01D 47/00; B01D
47/027; B01D 2221/02; B01D 2259/4508;
B03C 3/155; B03C 3/368; F24F 3/16;
F24F 13/20; F24F 13/28

See application file for complete search history.

(56) **References Cited**

U.S. PATENT DOCUMENTS

D835,249 S * 12/2018 Echeverri D23/365
D835,765 S * 12/2018 Chen D23/364

D862,673 S *	10/2019	Tang	D23/364
D917,683 S *	4/2021	Xie	D23/359
D918,365 S *	5/2021	Li	D23/359
D918,371 S *	5/2021	Zeng	D23/364
D928,298 S *	8/2021	Zuo	D23/364
D933,798 S *	10/2021	Wang	D23/364
D936,199 S *	11/2021	Jeon	D23/364
D939,071 S *	12/2021	Seo	D23/364
D941,979 S *	1/2022	Luo	D23/359
D942,605 S *	2/2022	Yu	D23/364
D943,076 S *	2/2022	Yu	D23/364

* cited by examiner

Primary Examiner — David G Muller

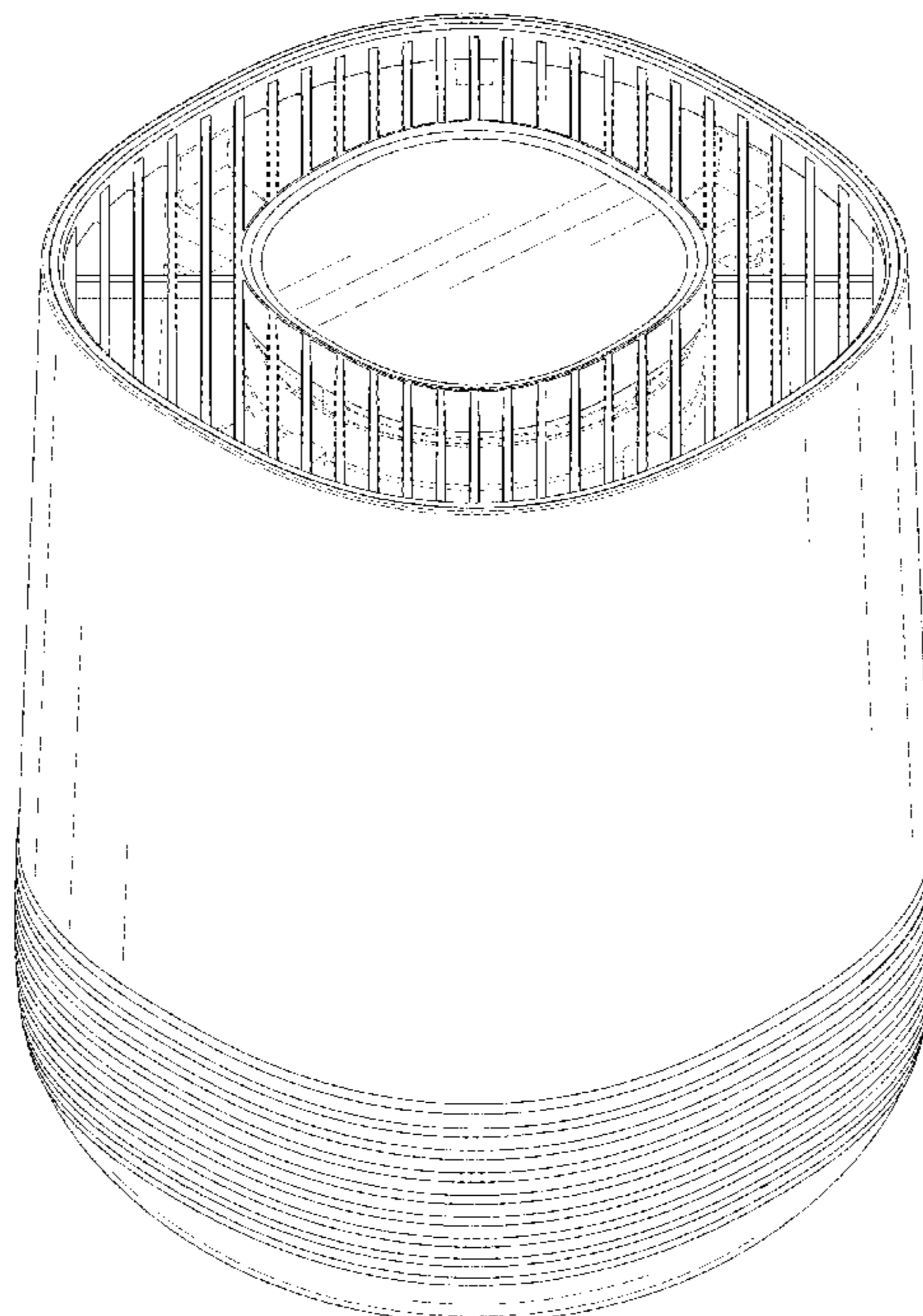
(57) **CLAIM**

The ornamental design for an air purifier, as shown and described.

DESCRIPTION

FIG. 1 is a front and top perspective view of an air purifier, showing our new design;
FIG. 2 is a rear and bottom perspective view thereof;
FIG. 3 is a front elevation view thereof;
FIG. 4 is a rear elevation view thereof;
FIG. 5 is a left side elevation view thereof;
FIG. 6 is a right side elevation view thereof;
FIG. 7 is a top plan view thereof; and,
FIG. 8 is a bottom plan view thereof.
The broken lines in the figures illustrate portions of the air purifier that form no part of the claimed design.

1 Claim, 8 Drawing Sheets



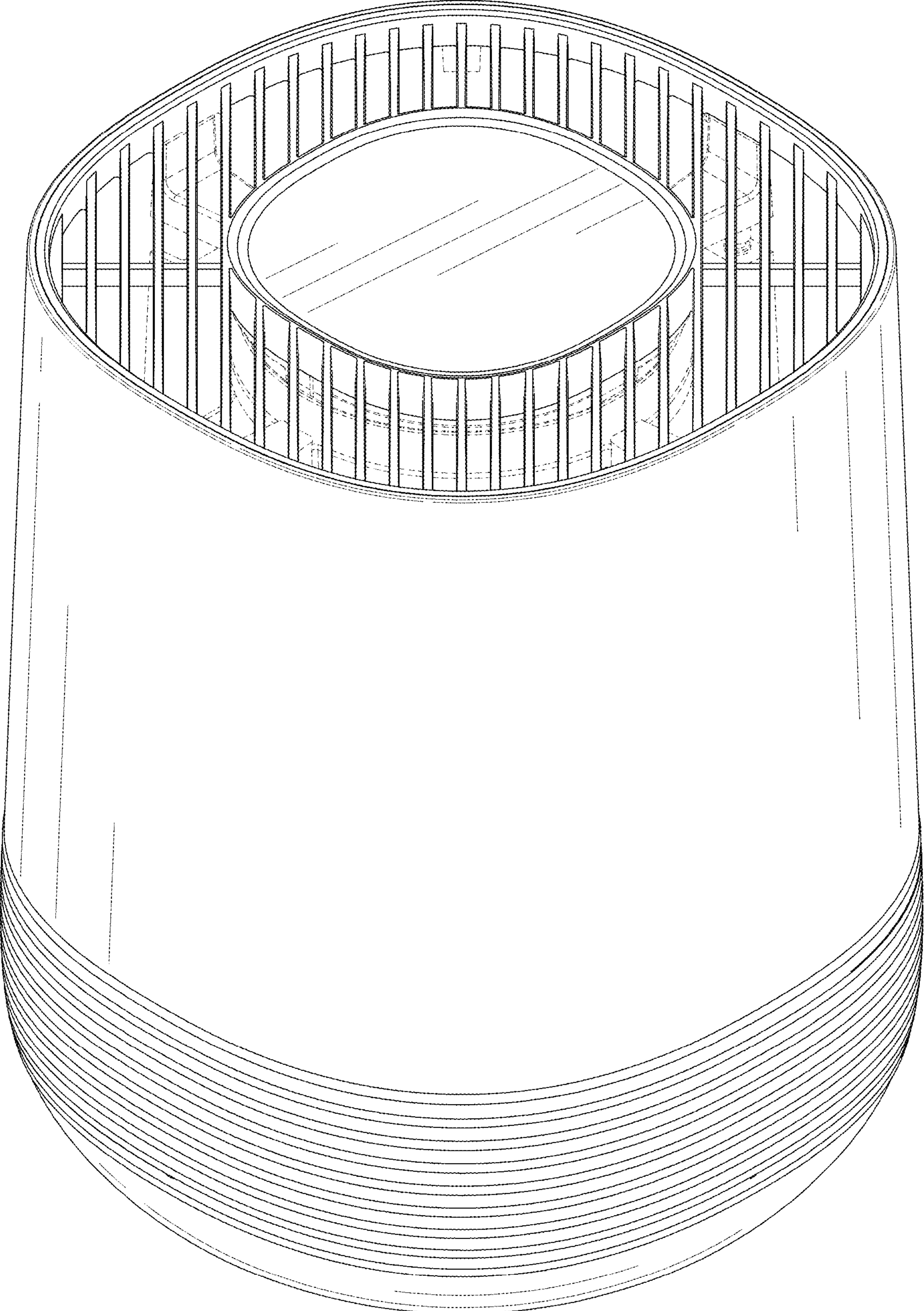


FIG. 1

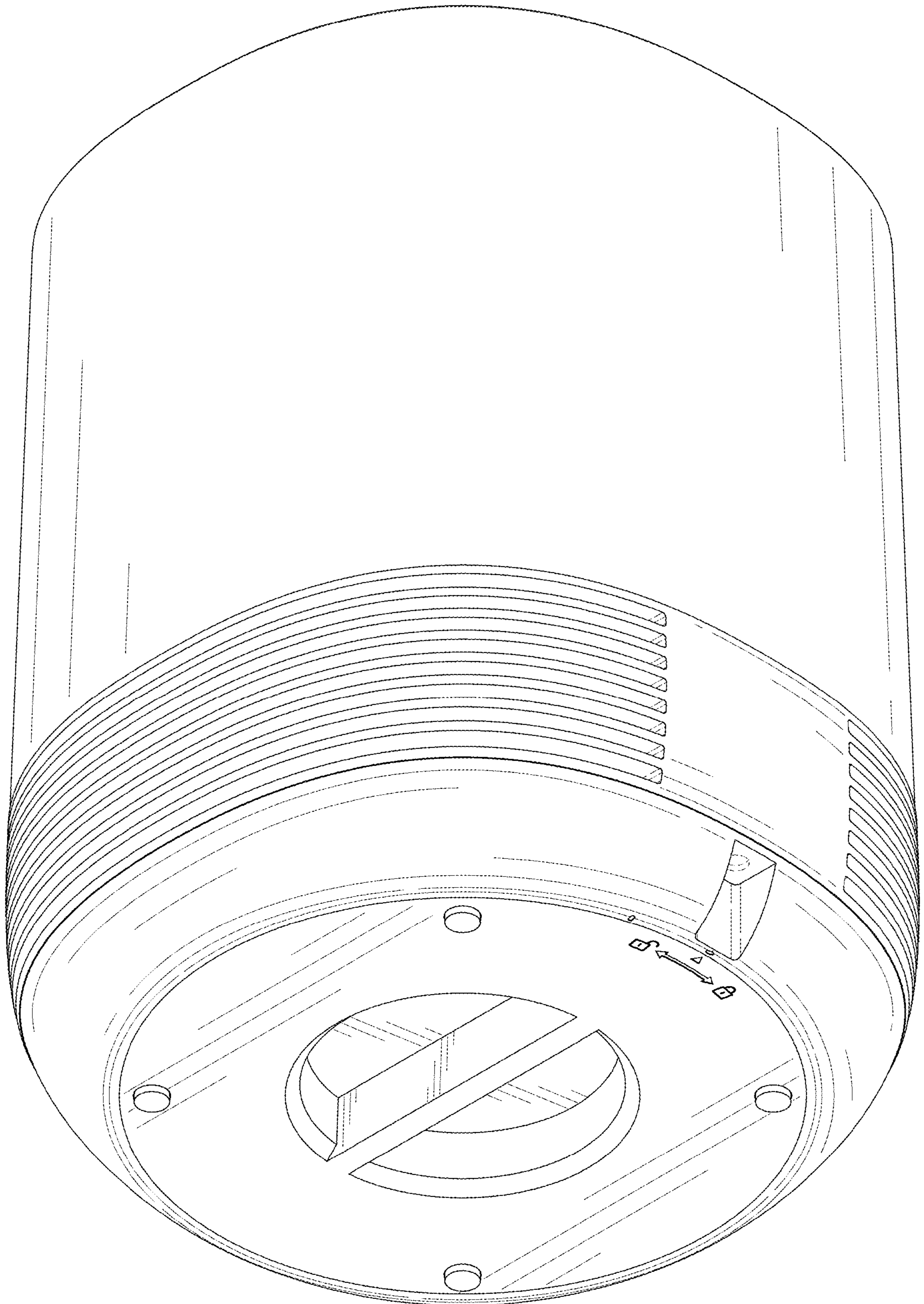


FIG. 2

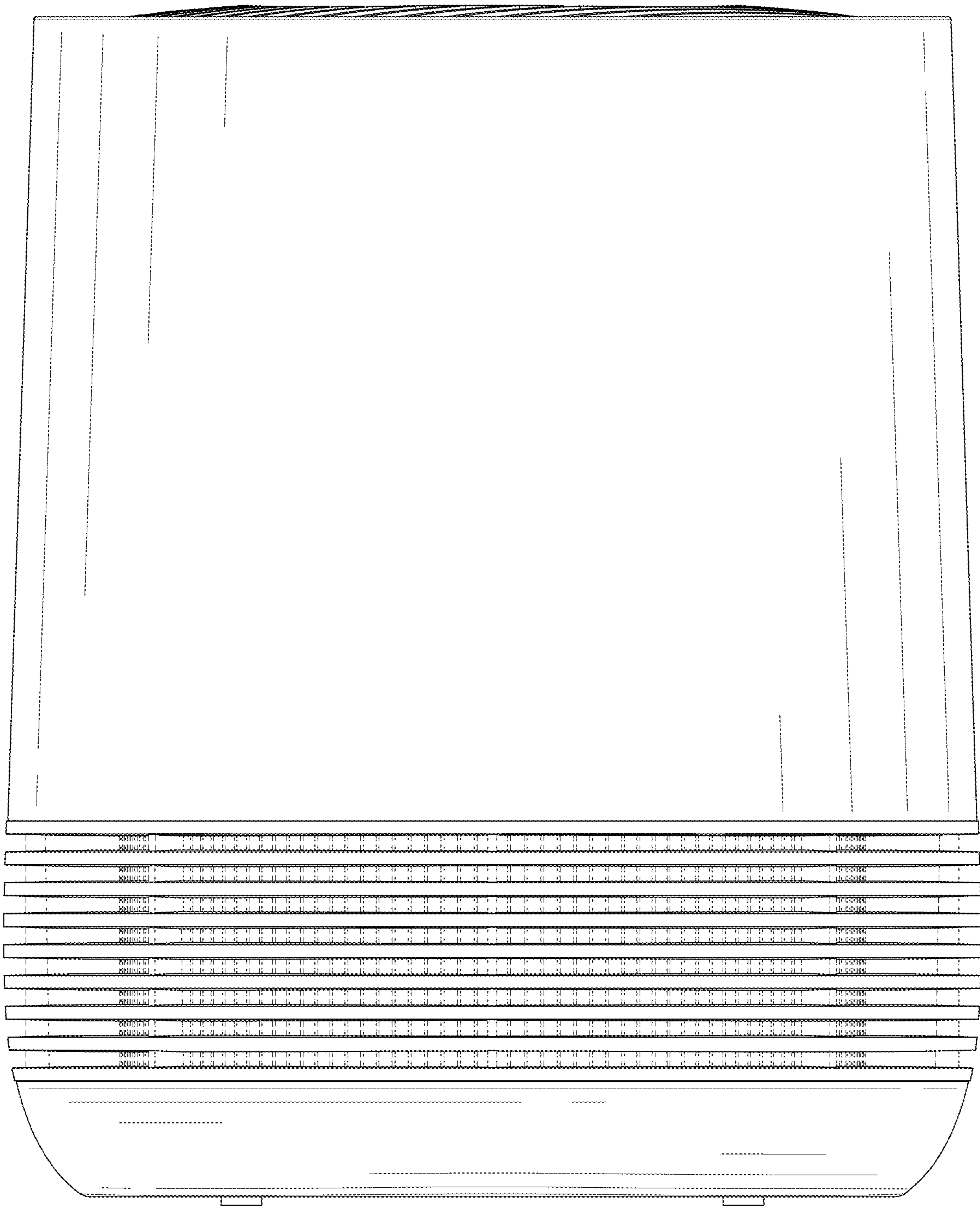


FIG. 3

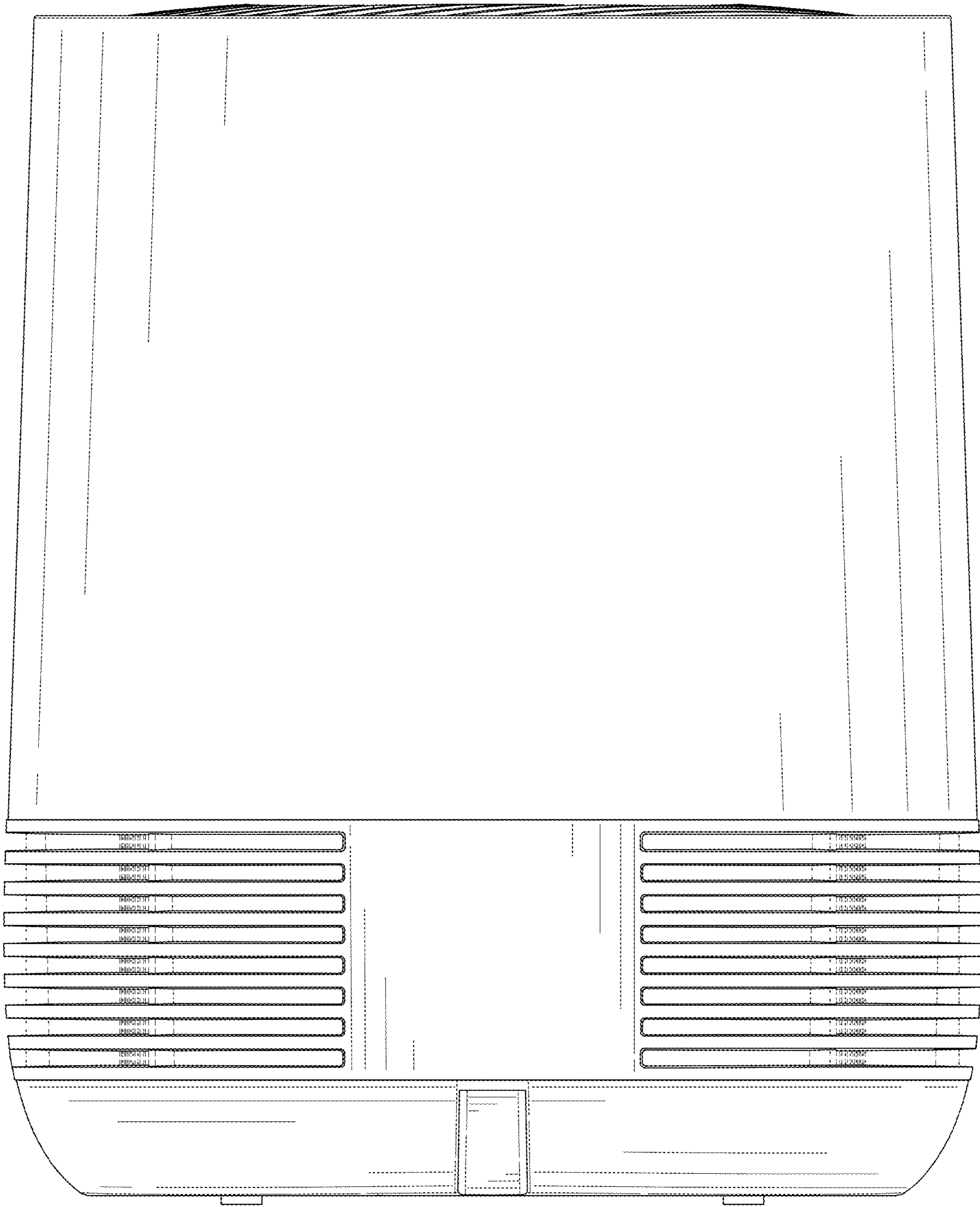


FIG. 4

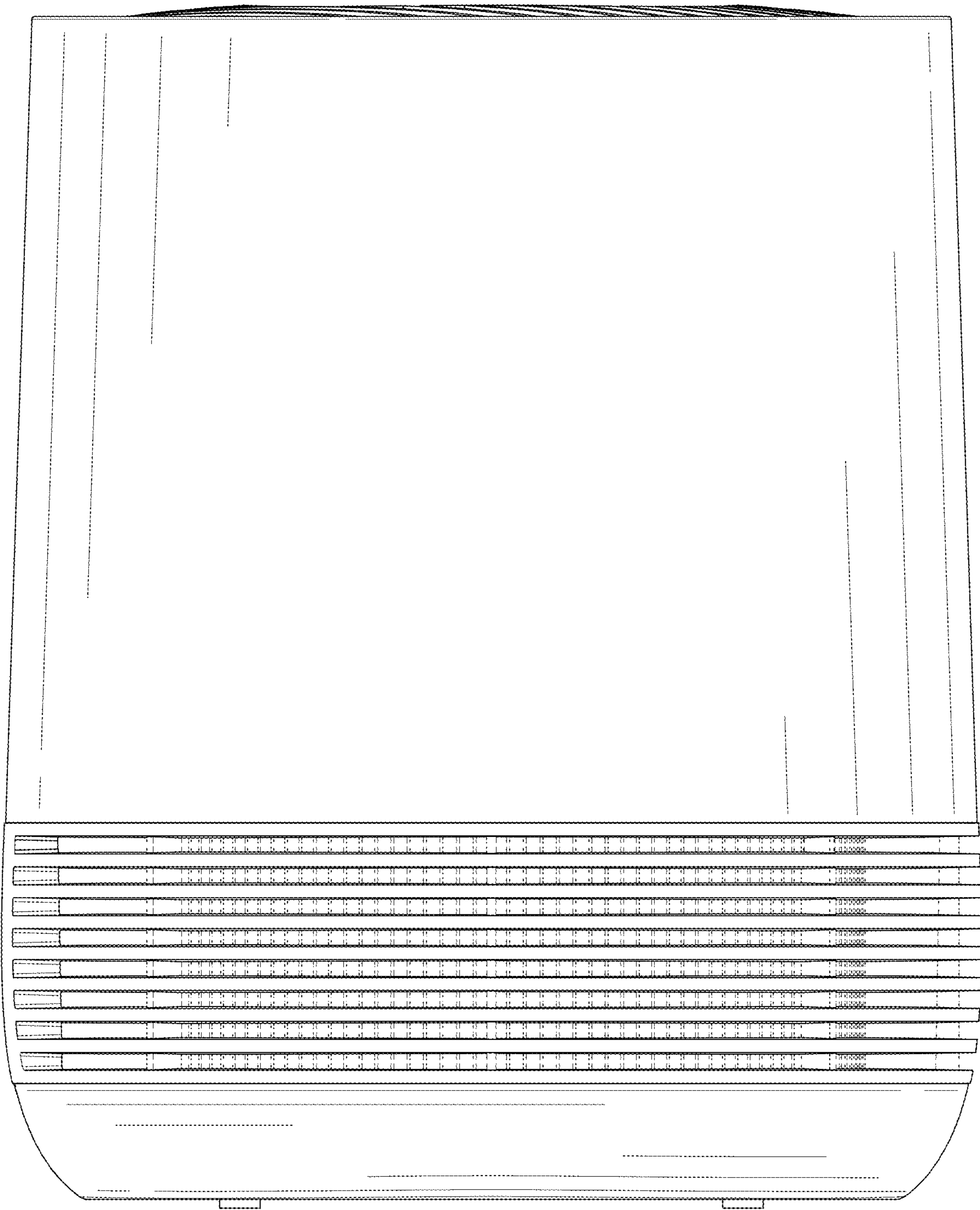


FIG. 5

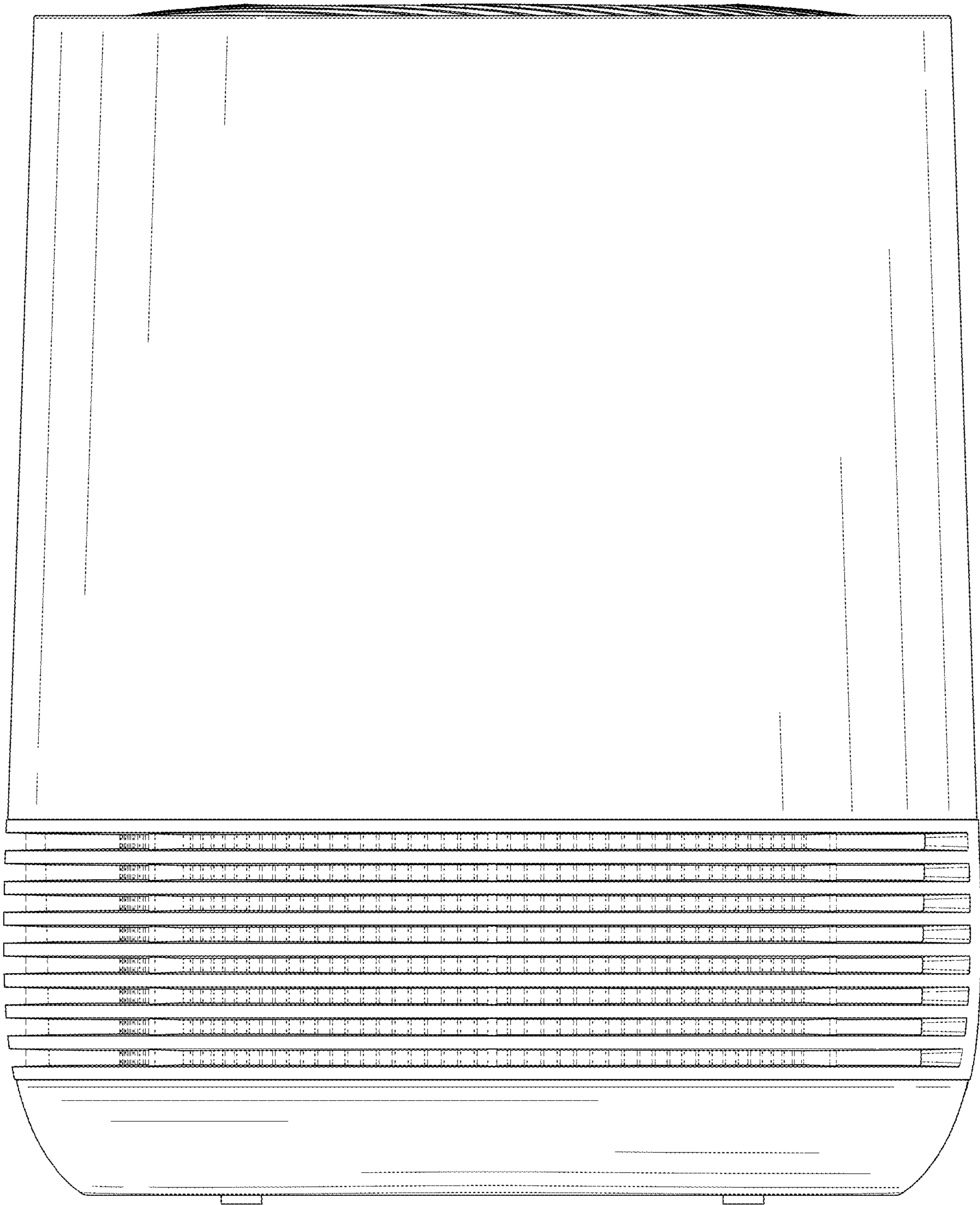


FIG. 6

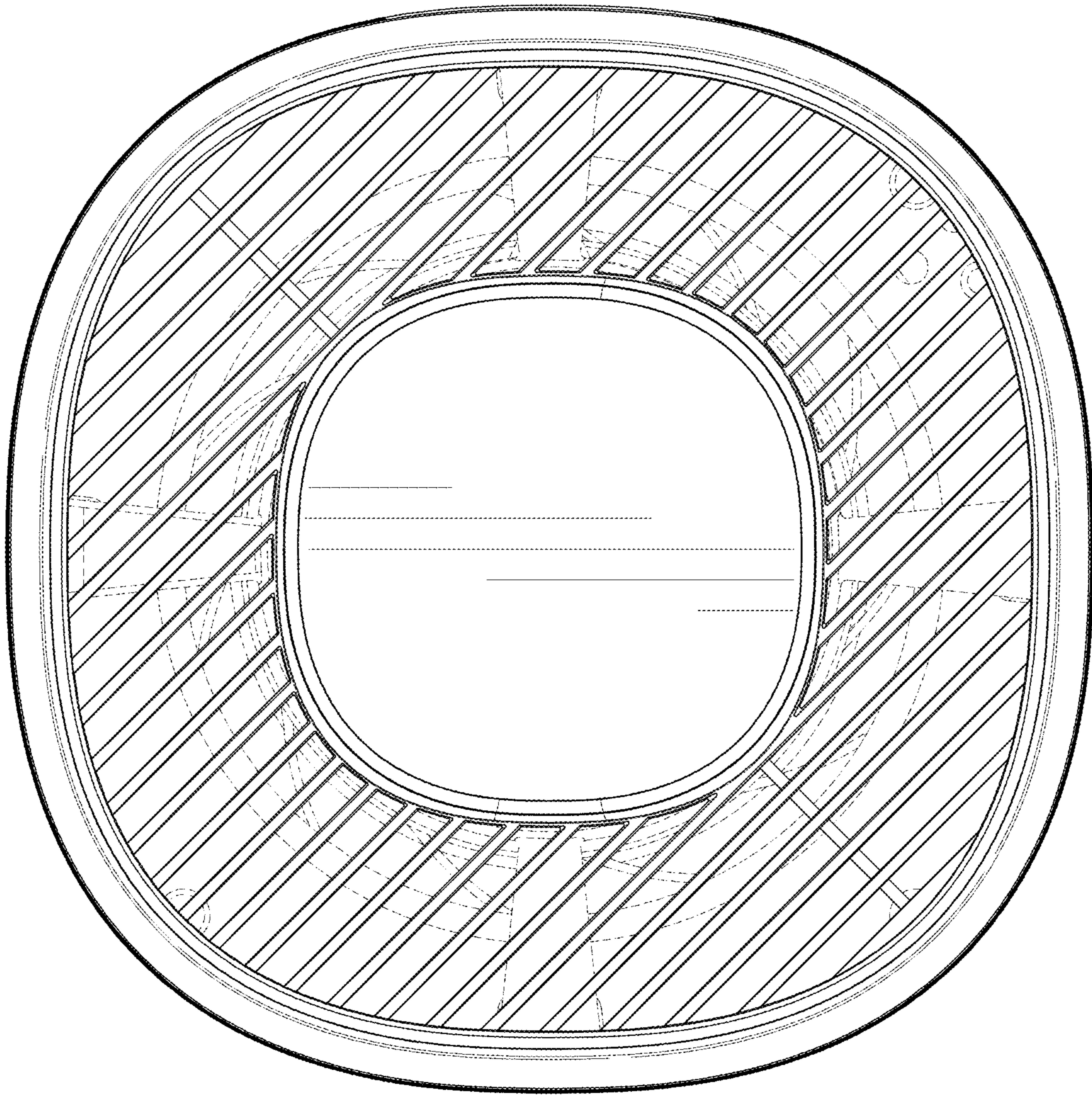


FIG. 7

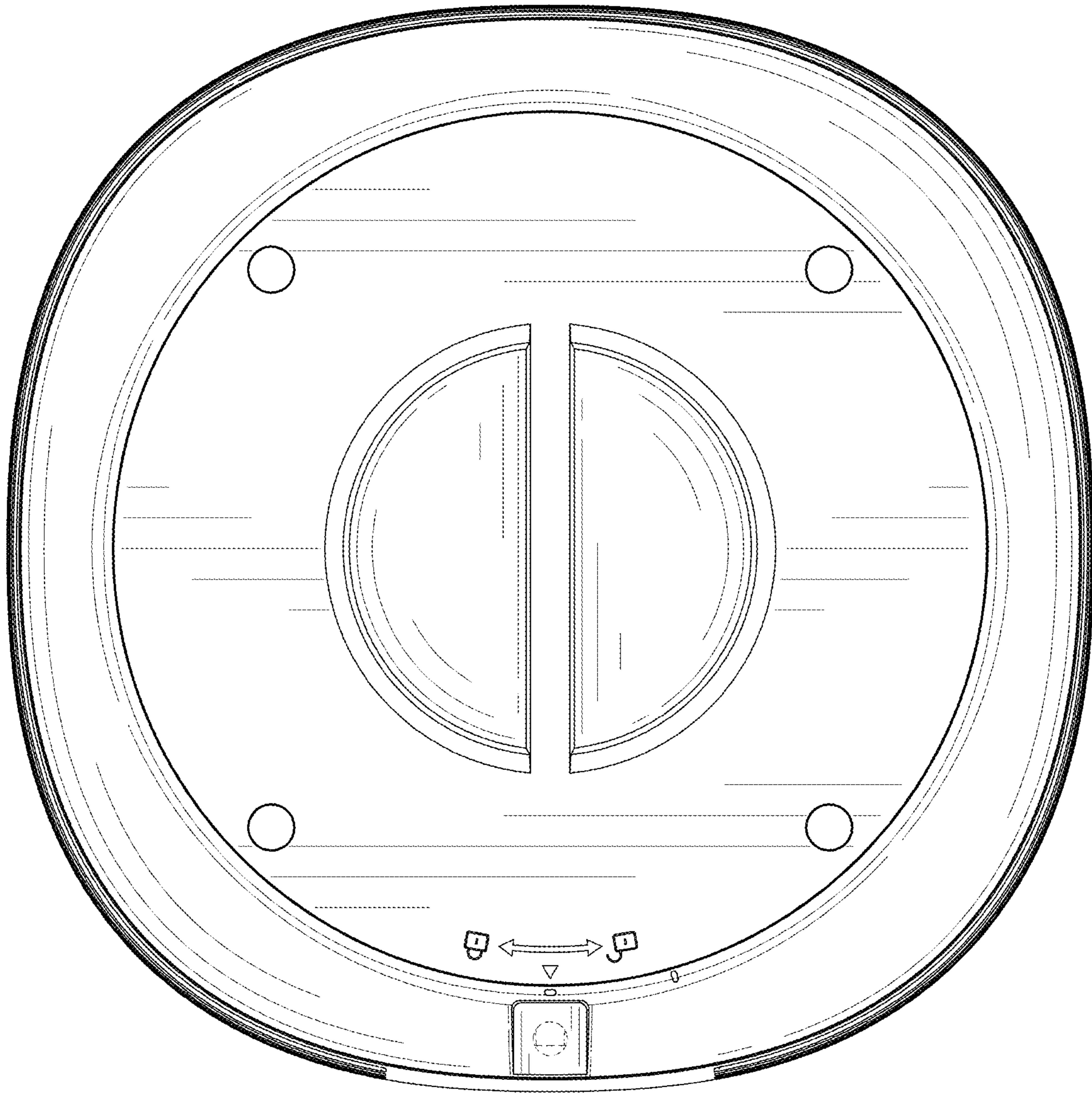


FIG. 8